



US00D552215S

(12) **United States Design Patent**
Huang

(10) **Patent No.:** **US D552,215 S**

(45) **Date of Patent:** **** Oct. 2, 2007**

(54) **SHOWERHEAD**

D487,301 S * 3/2004 Haug et al. D23/229
D524,405 S * 7/2006 Hoernig D23/213

(75) Inventor: **Ming Huang**, Taichung (TW)

* cited by examiner

(73) Assignee: **Globe Union Industrial Corp.**,
Taichung (TW)

Primary Examiner—Robin Webster

(74) *Attorney, Agent, or Firm*—Leong C. Lei

(**) Term: **14 Years**

(57) **CLAIM**

(21) Appl. No.: **29/246,531**

The ornamental design for a showerhead, as shown and described.

(22) Filed: **Apr. 21, 2006**

(51) **LOC (8) Cl.** **23-01**

(52) **U.S. Cl.** **D23/229**

(58) **Field of Classification Search** D23/213,
D23/229–230; 239/282–3

See application file for complete search history.

DESCRIPTION

(56) **References Cited**

U.S. PATENT DOCUMENTS

D334,046 S * 3/1993 Klose D23/213
D483,838 S * 12/2003 Haug et al. D23/229
D486,888 S * 2/2004 Lobermeier D23/229

FIG. 1 is a perspective view of a showerhead showing my new design;

FIG. 2 is a front elevational view thereof;

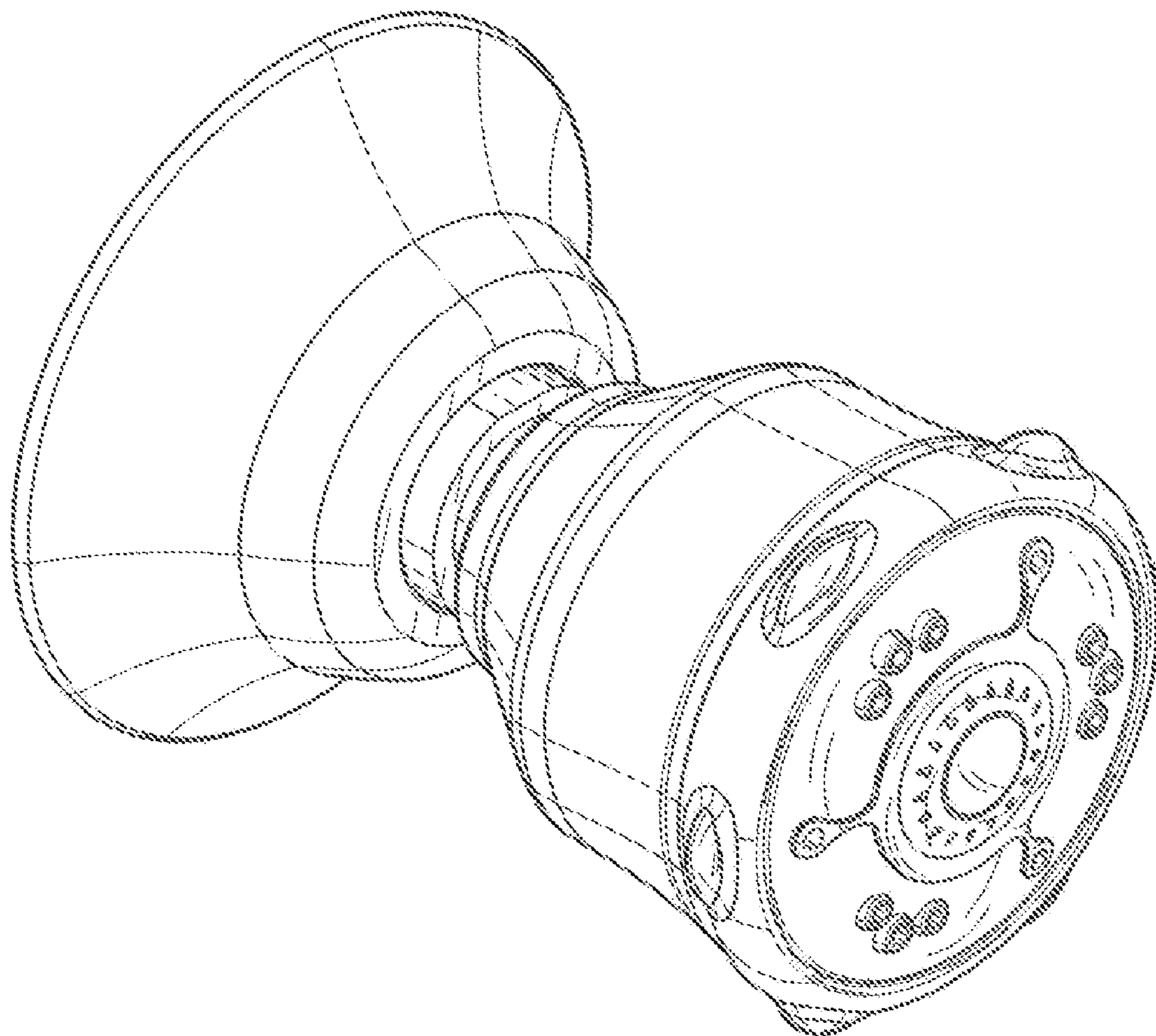
FIG. 3 is a left side elevational view thereof;

FIG. 4 is a right side elevational view thereof;

FIG. 5 is a top plan view thereof; and,

FIG. 6 is a bottom plan view thereof.

1 Claim, 6 Drawing Sheets



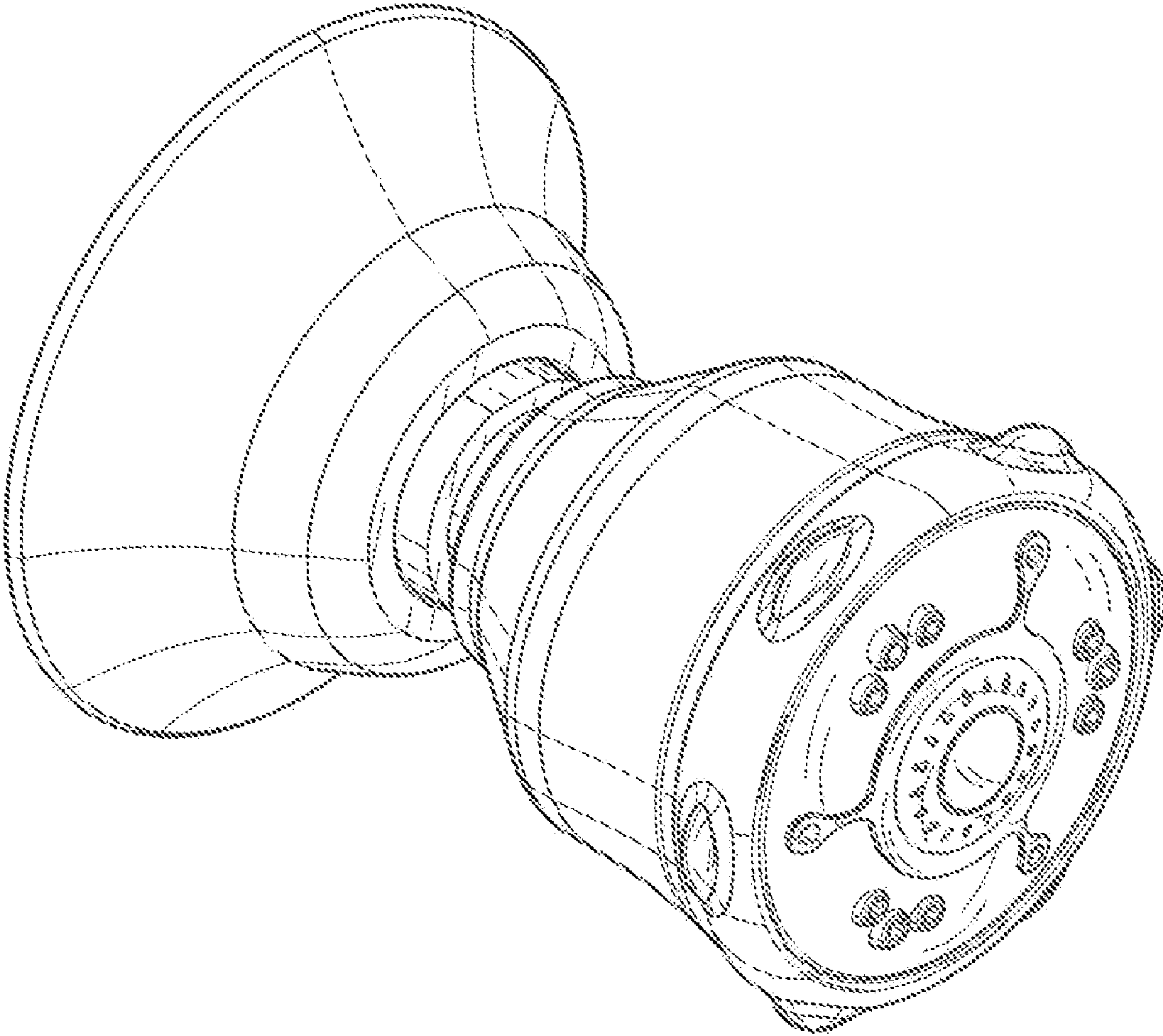


FIG. 1

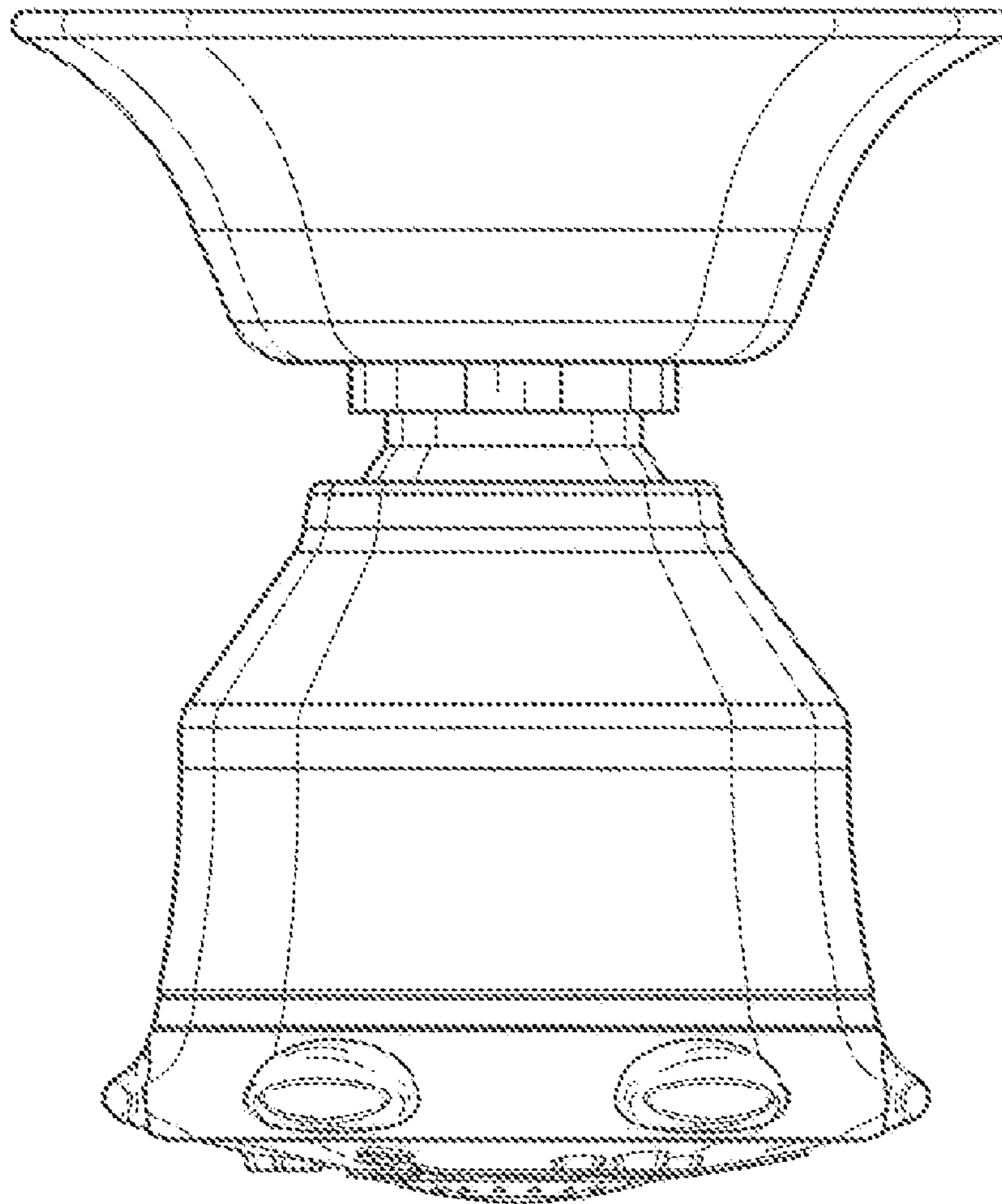


FIG. 2

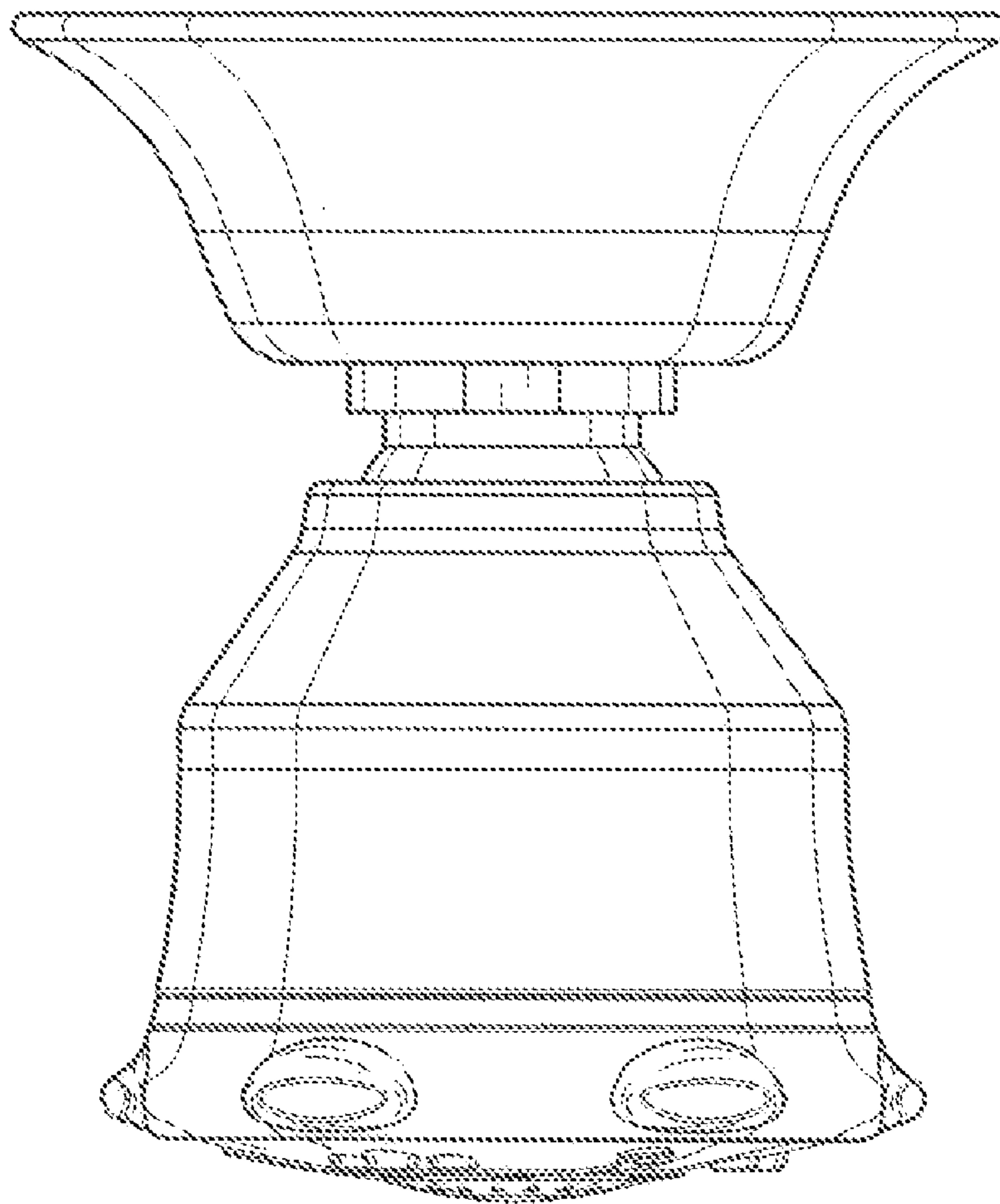


FIG. 3

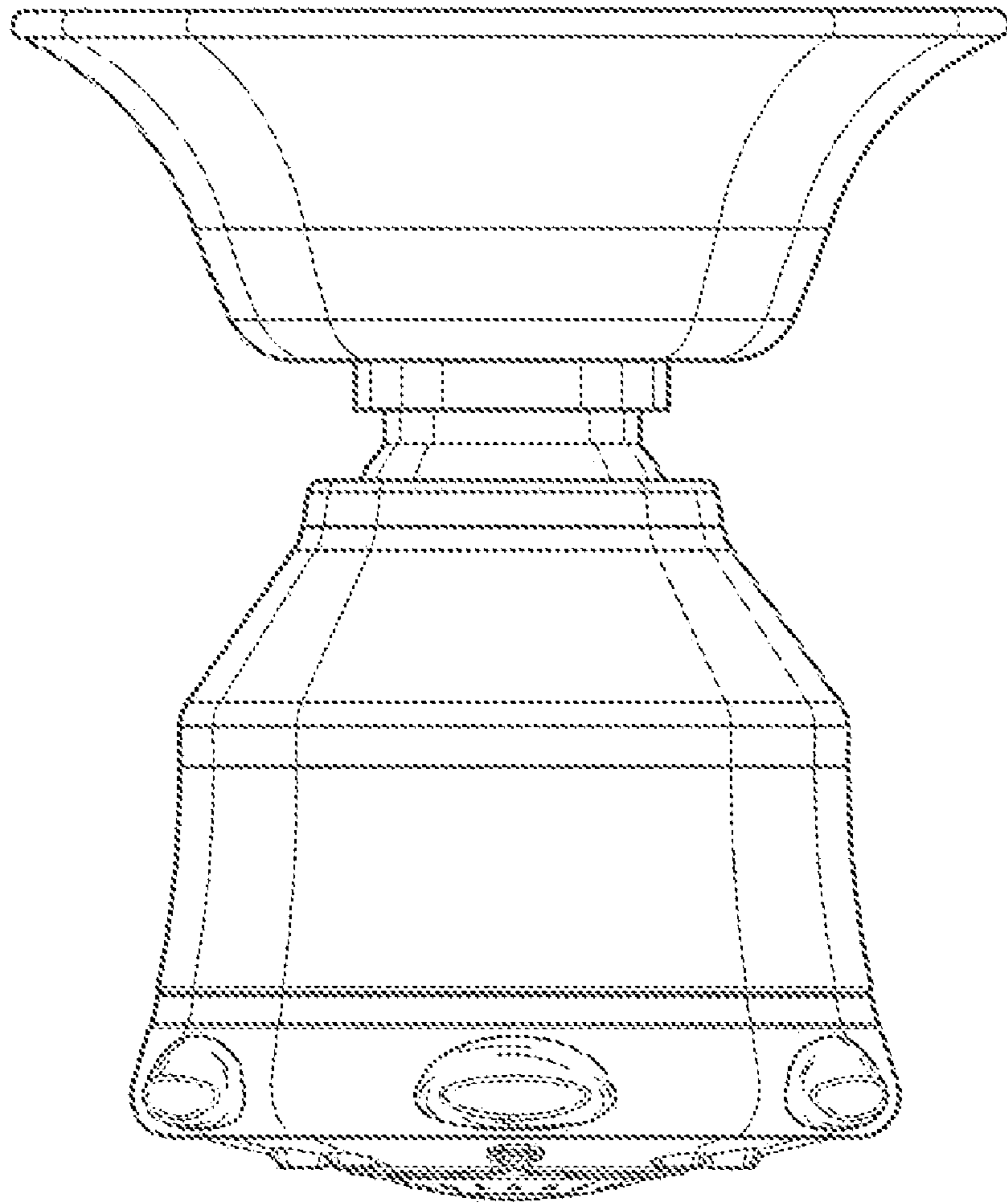


FIG. 4

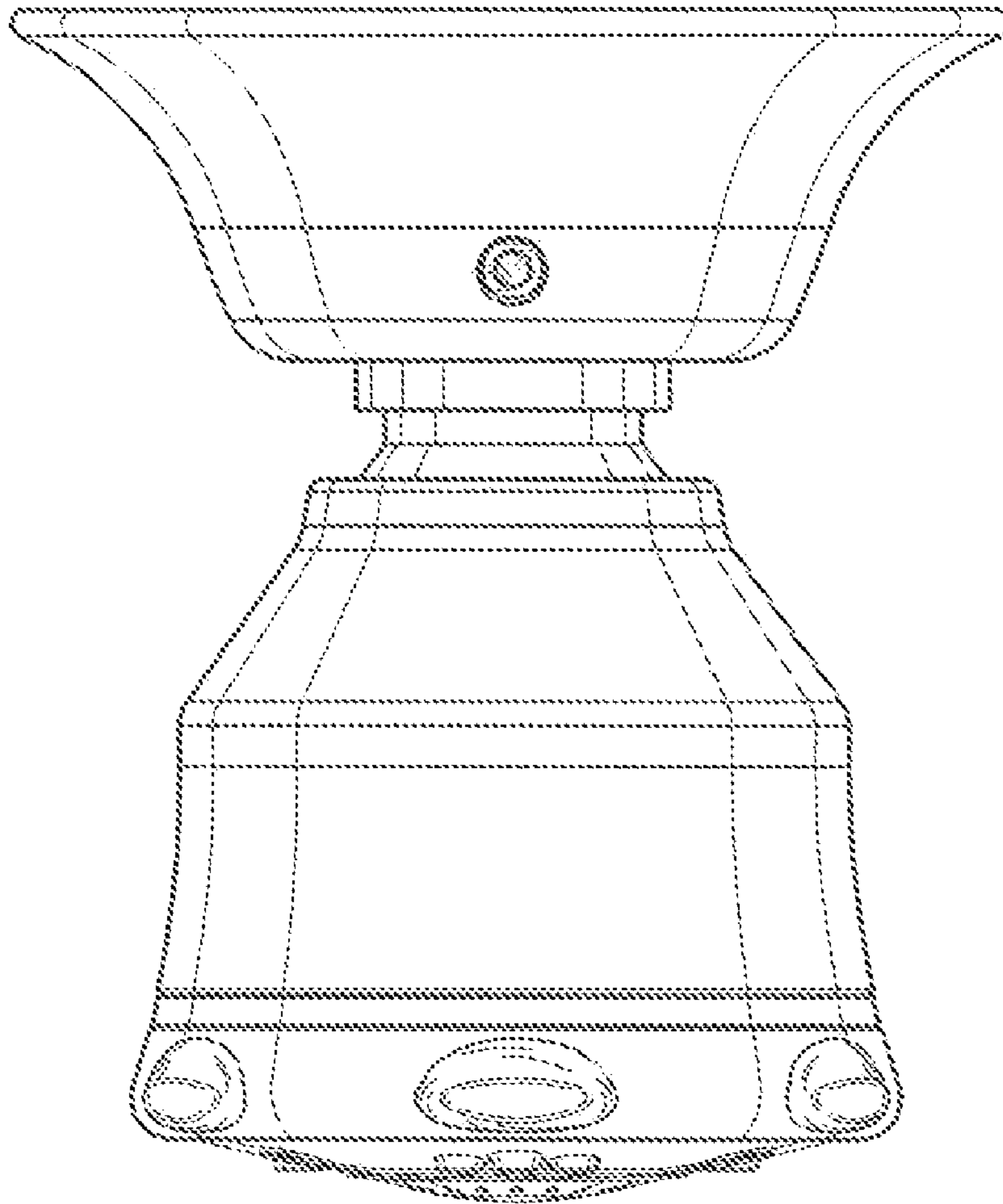


FIG. 5

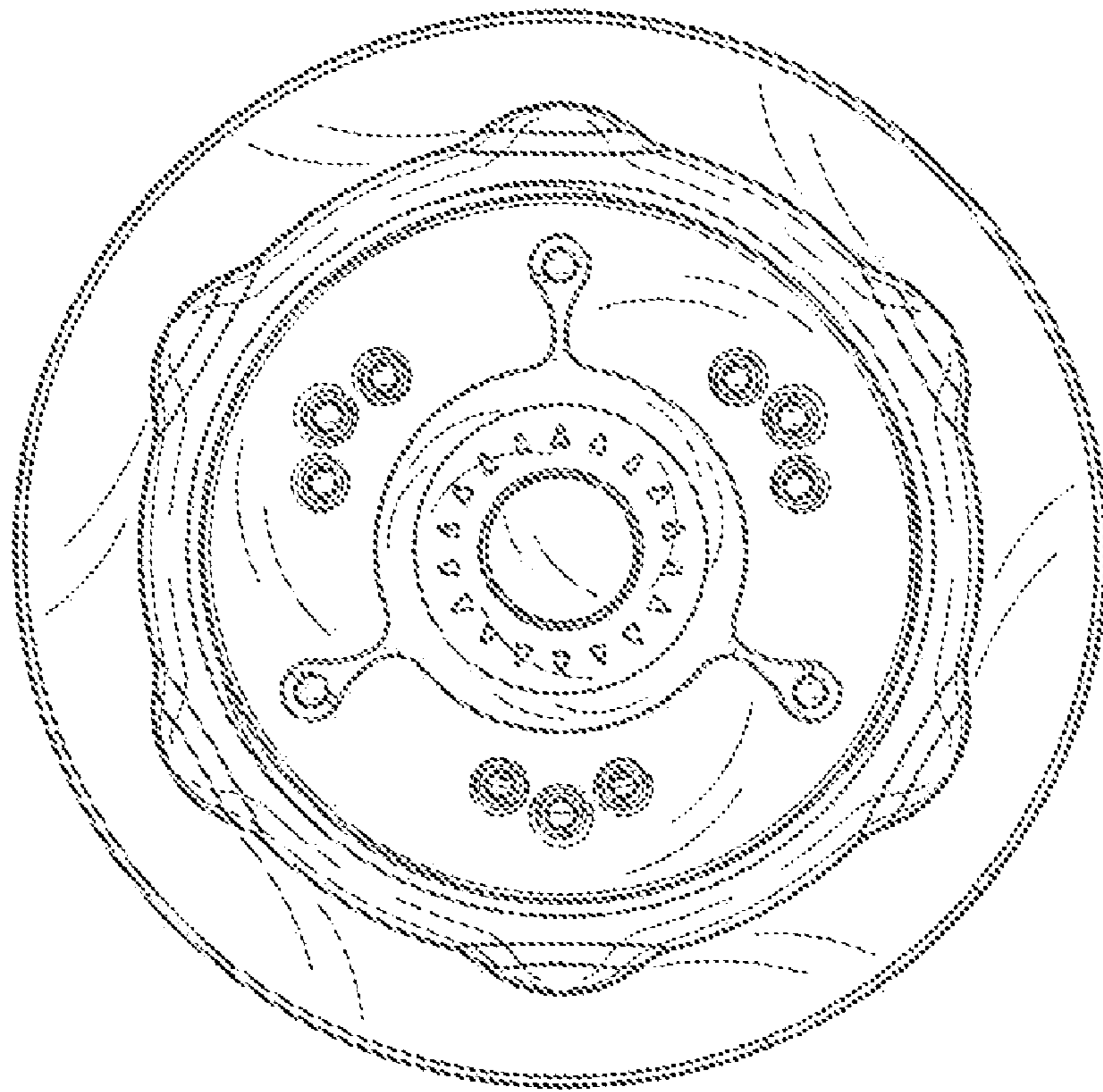


FIG. 6