



US00D552214S

(12) **United States Design Patent**
Jou

(10) **Patent No.:** **US D552,214 S**
(45) **Date of Patent:** **** Oct. 2, 2007**

(54) **MULTIPURPOSE POWER GUN**

(57) **CLAIM**

(76) Inventor: **Wuu-Cheau Jou**, No. 497-6, Caohu Rd., Dali City, Taichung County 412 (TW)

The ornamental design for a multipurpose power gun, as shown and described.

(**) Term: **14 Years**

DESCRIPTION

(21) Appl. No.: **29/256,898**

FIG. 1 is a perspective view of a multipurpose power gun showing my new design;

(22) Filed: **Mar. 27, 2006**

FIG. 2 is a front elevational view thereof;

(51) **LOC (8) Cl.** **23-01**

FIG. 3 is a rear elevational view thereof;

(52) **U.S. Cl.** **D23/226**

FIG. 4 is a left elevational view thereof;

(58) **Field of Classification Search** D23/213,
D23/223, 226; 239/525-527

FIG. 5 is a right elevational view thereof;

See application file for complete search history.

FIG. 6 is a top plan view thereof;

(56) **References Cited**

FIG. 7 is a bottom plan view thereof;

U.S. PATENT DOCUMENTS

FIG. 8 is a front elevational view showing the multipurpose power gun with a short nozzle in use;

D398,954 S * 9/1998 Jou D23/226

FIG. 9 is a front elevational view showing the multipurpose power gun with a long puffing dust pipe in use;

D412,736 S * 8/1999 Chen D23/226

FIG. 10 is a front elevational view showing the multipurpose power gun with an air hose assembly in use;

D428,471 S * 7/2000 Gustafsson D23/226

FIG. 11 is a front elevational view showing the multipurpose power gun with a spraying assembly in use;

D432,209 S * 10/2000 Jou D23/226

FIG. 12 is a front elevational view showing the multipurpose power gun with a sand blast assembly in use; and,

6,505,784 B1 * 1/2003 Jou 239/525

FIG. 13 is a front elevational view showing the multipurpose power gun with a suck oil assembly in use.

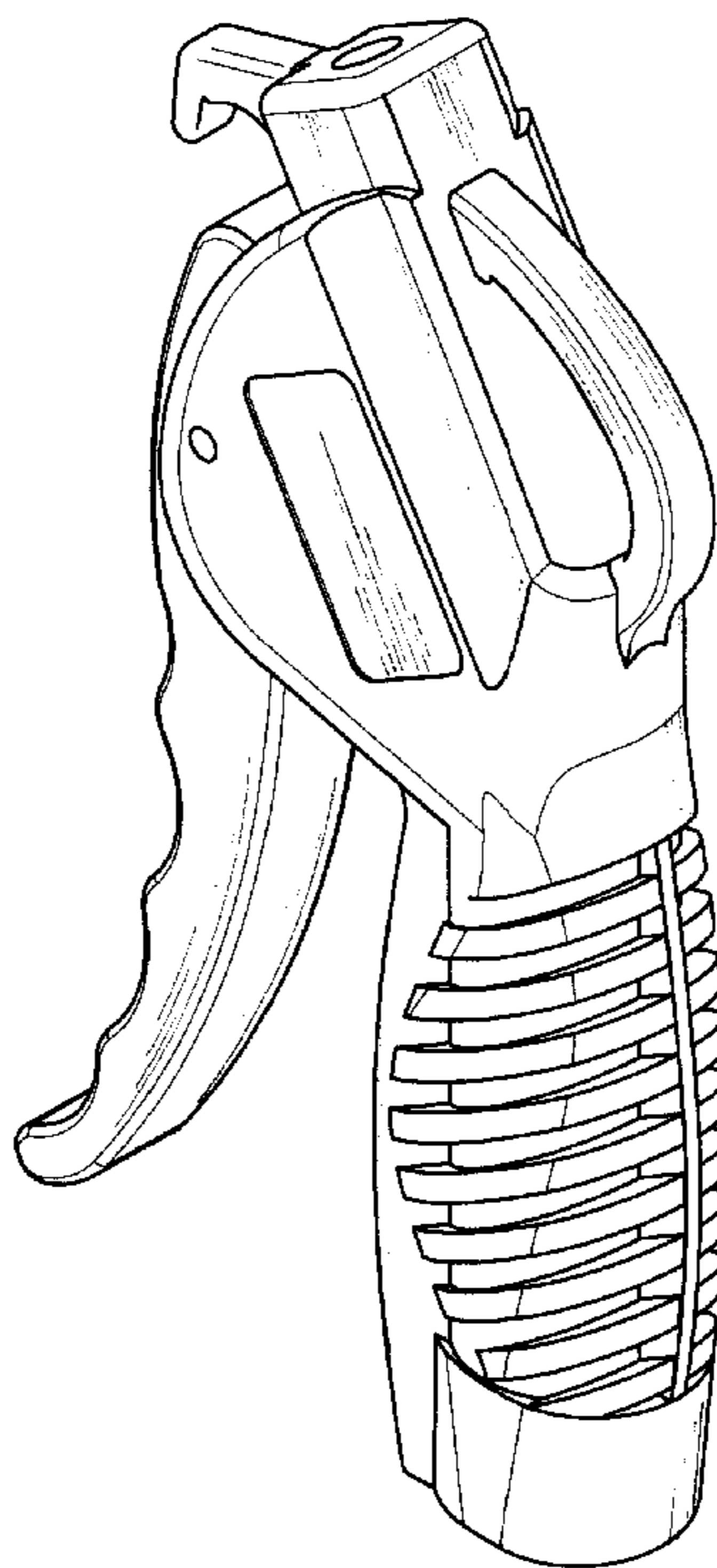
* cited by examiner

The broken lines in the drawing are for illustrative purposes only and form no part of the claimed design.

Primary Examiner—Robin Webster

1 Claim, 11 Drawing Sheets

(74) *Attorney, Agent, or Firm*—C. G. Mersereau; Nikolai & Mersereau, P.A.



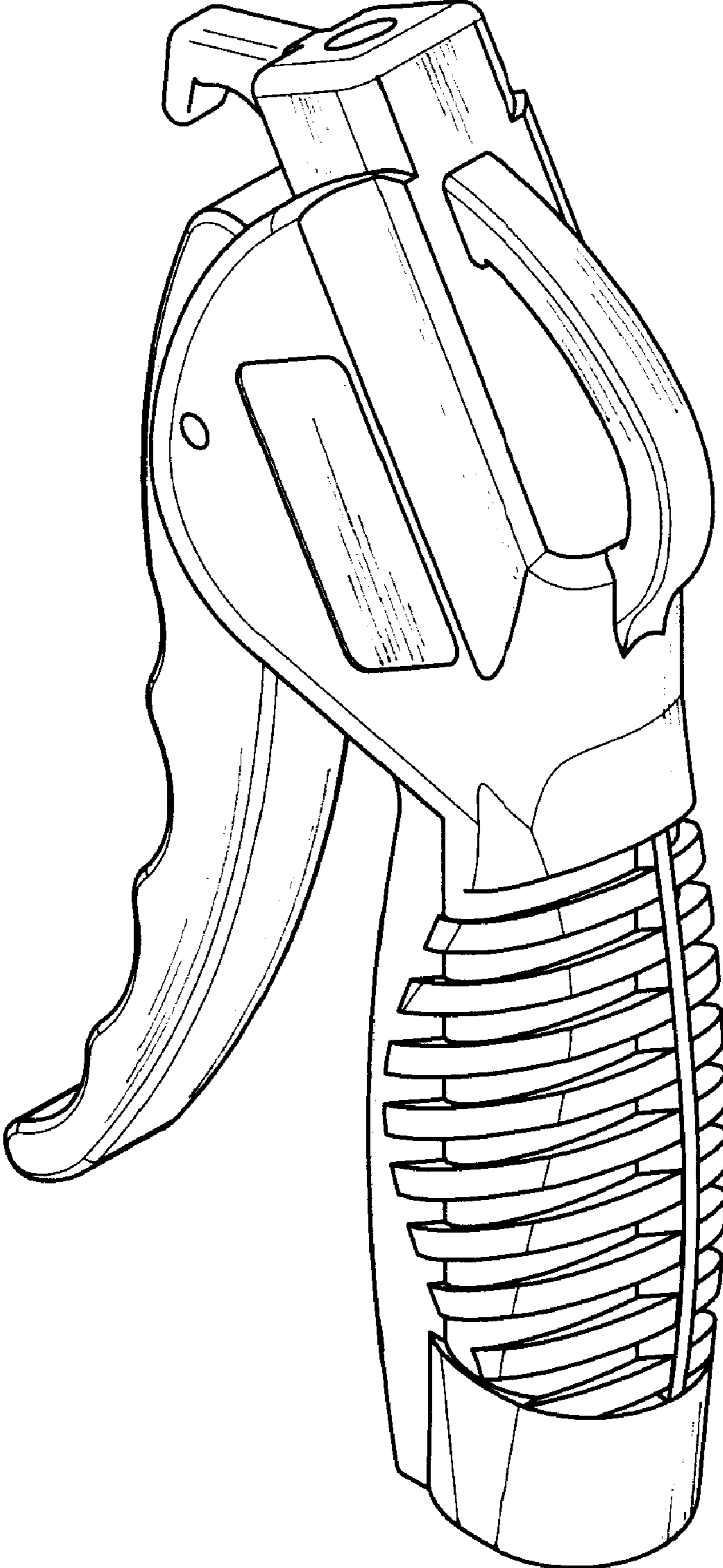


FIG. 1

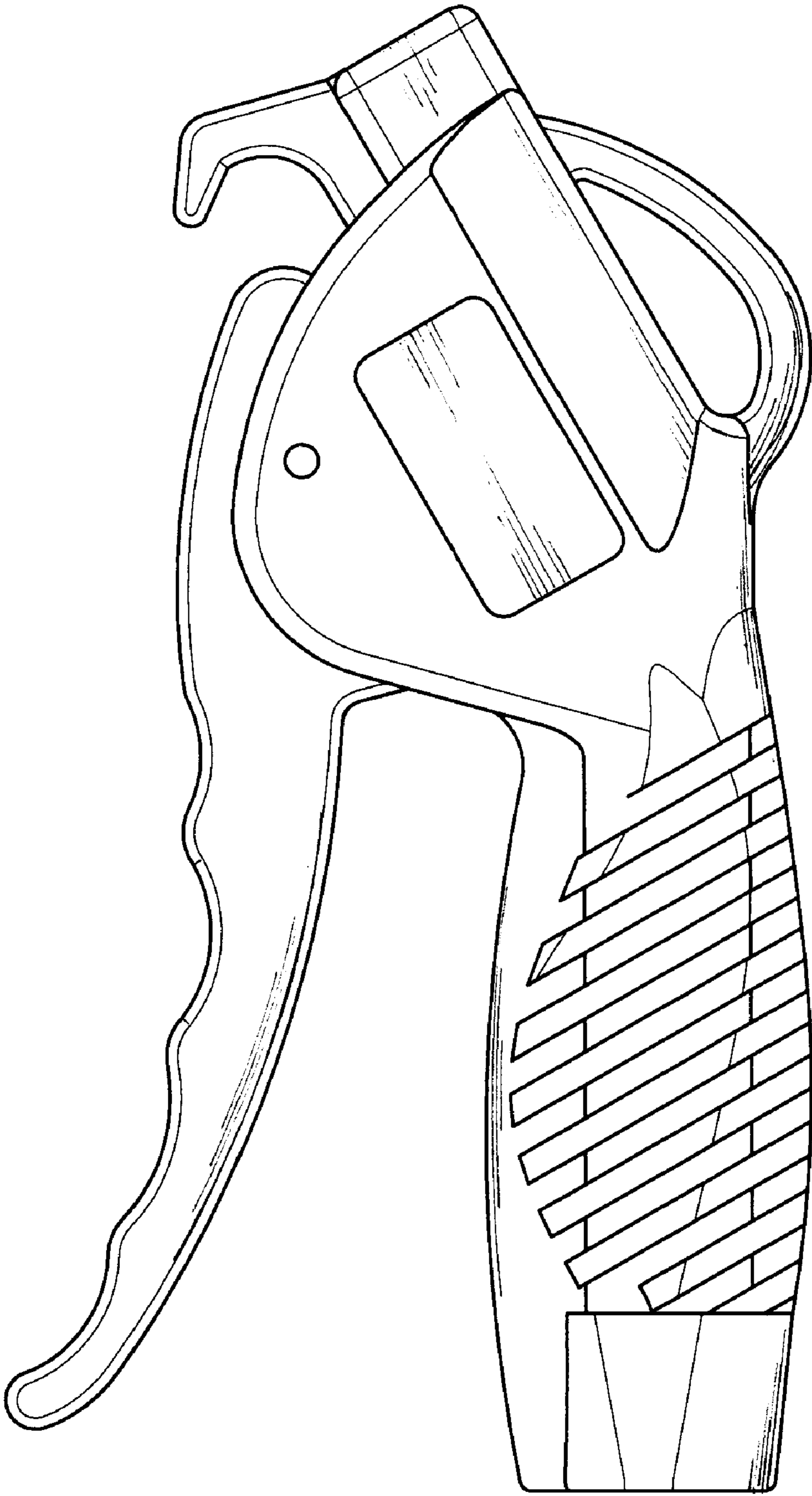


FIG.2

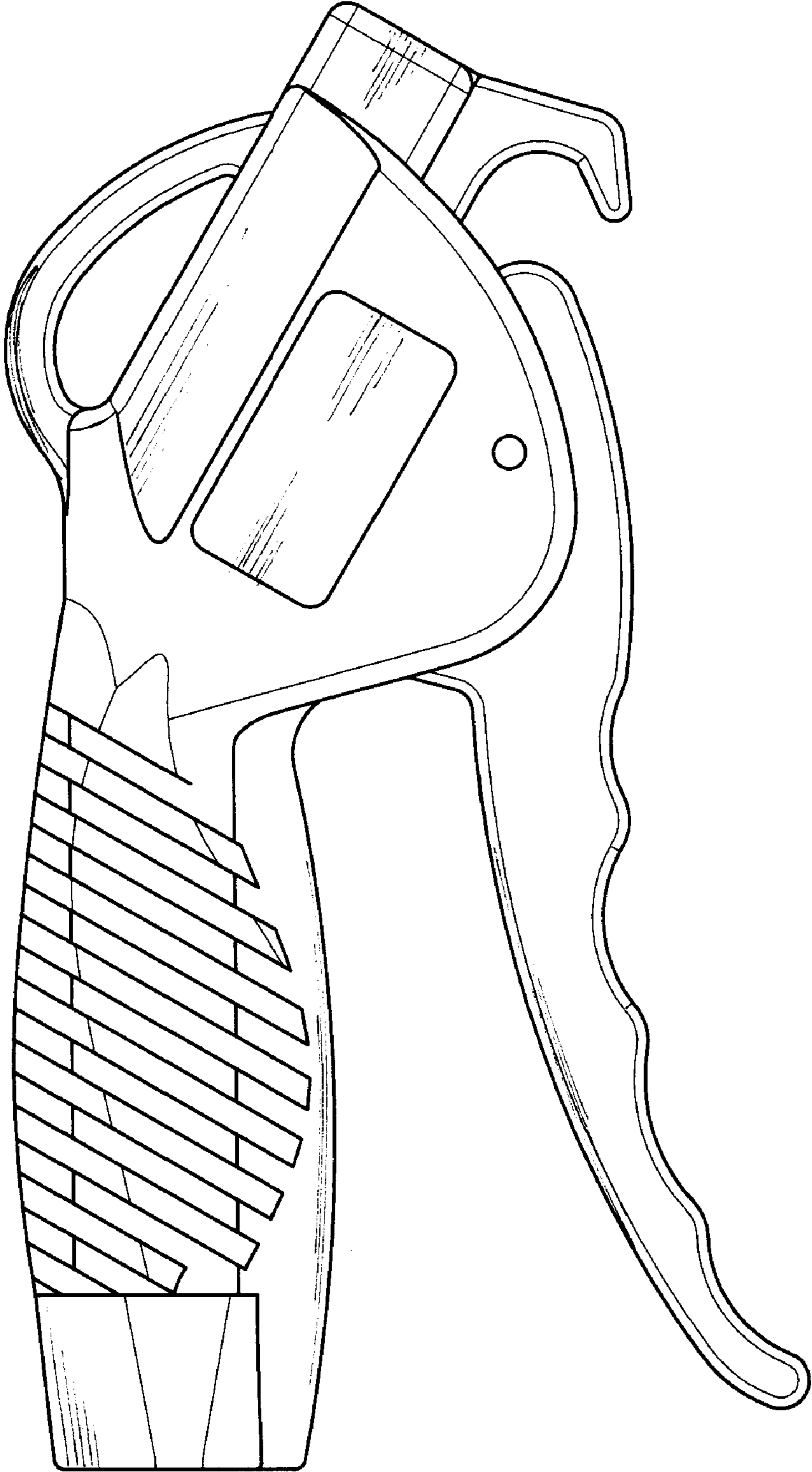


FIG.3

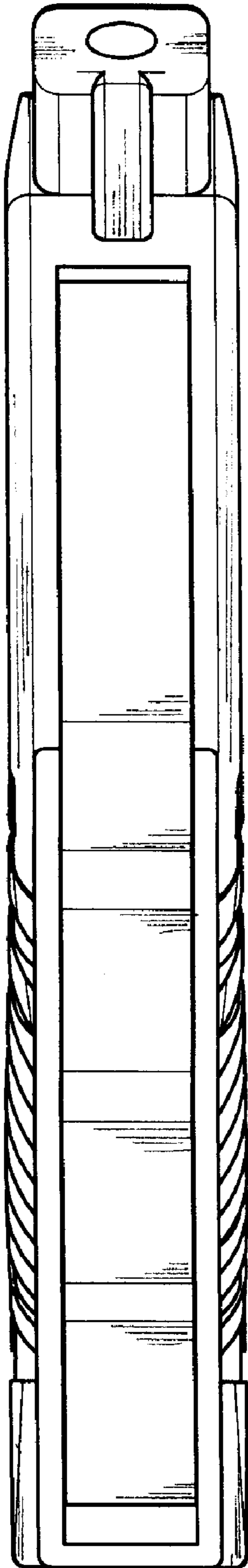


FIG. 4

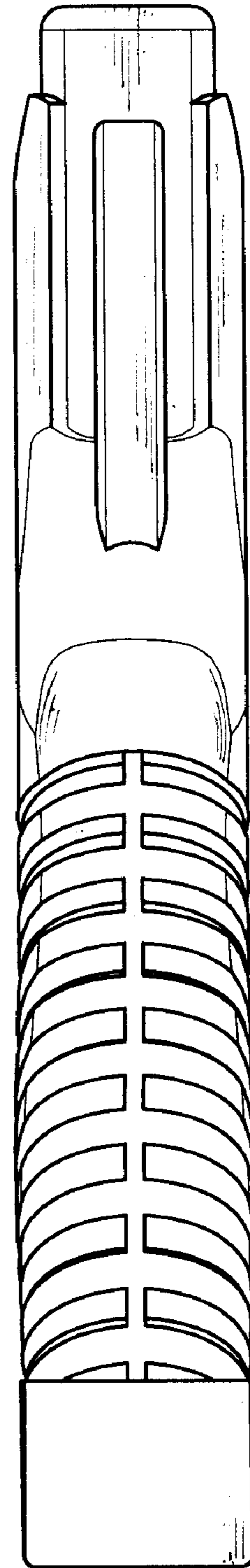


FIG. 5

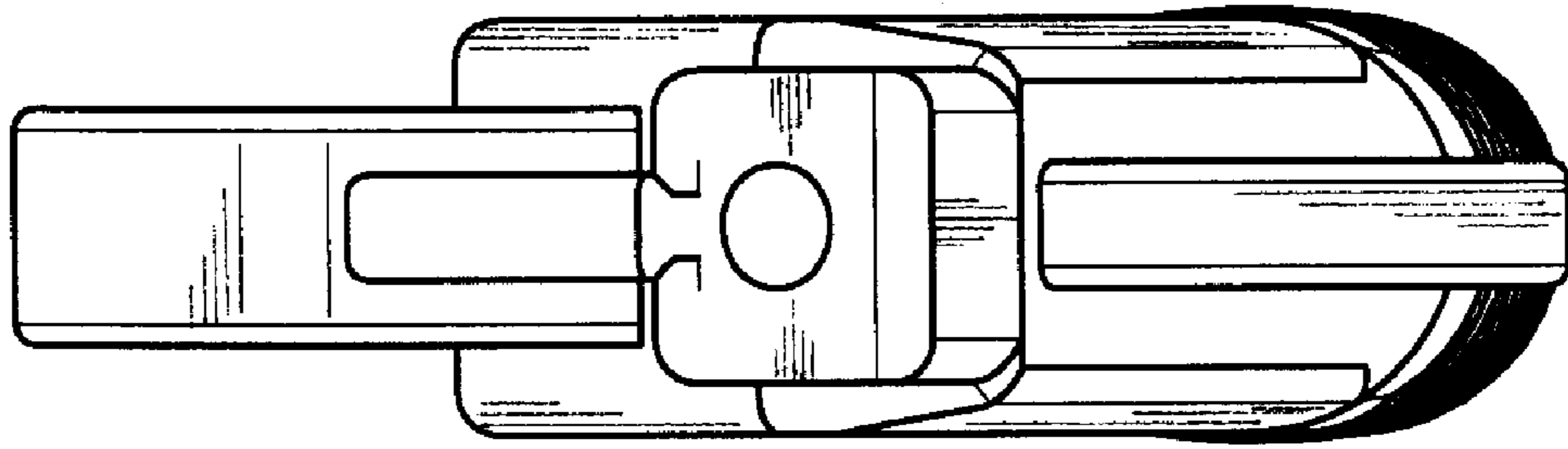


FIG. 6

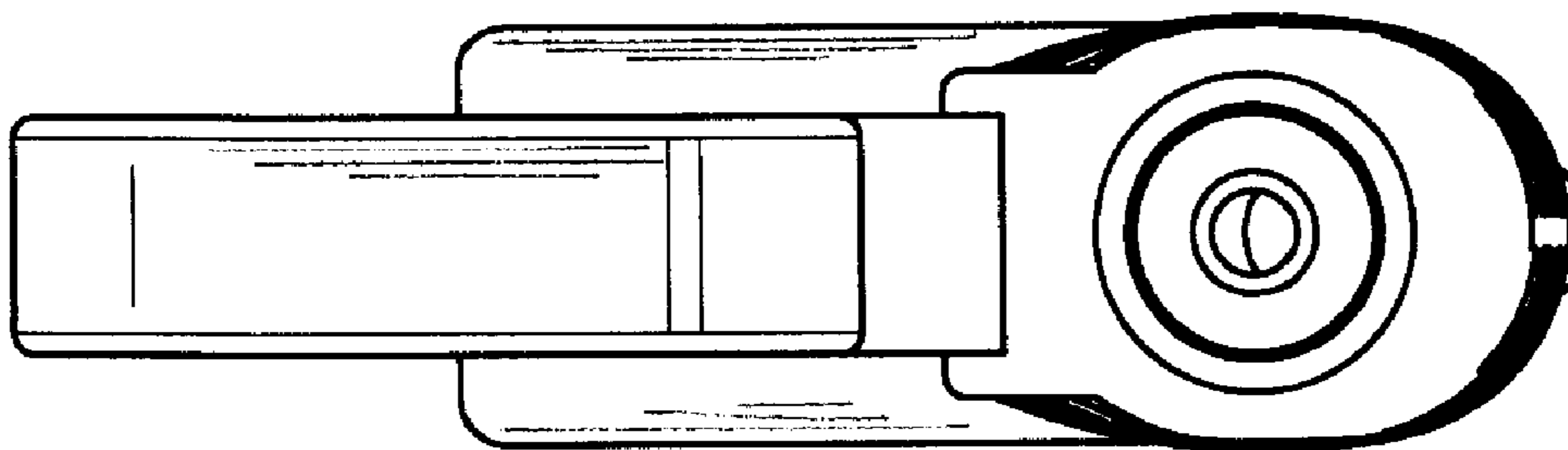


FIG. 7

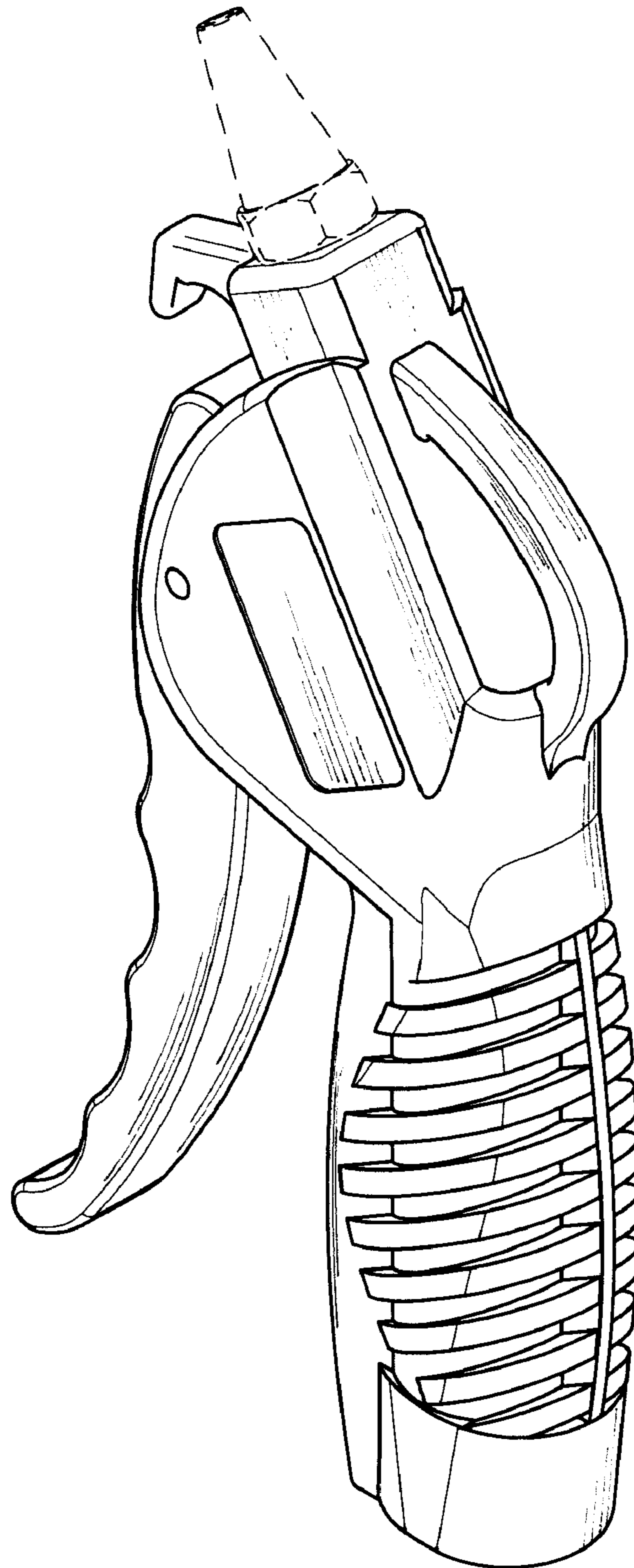


FIG. 8

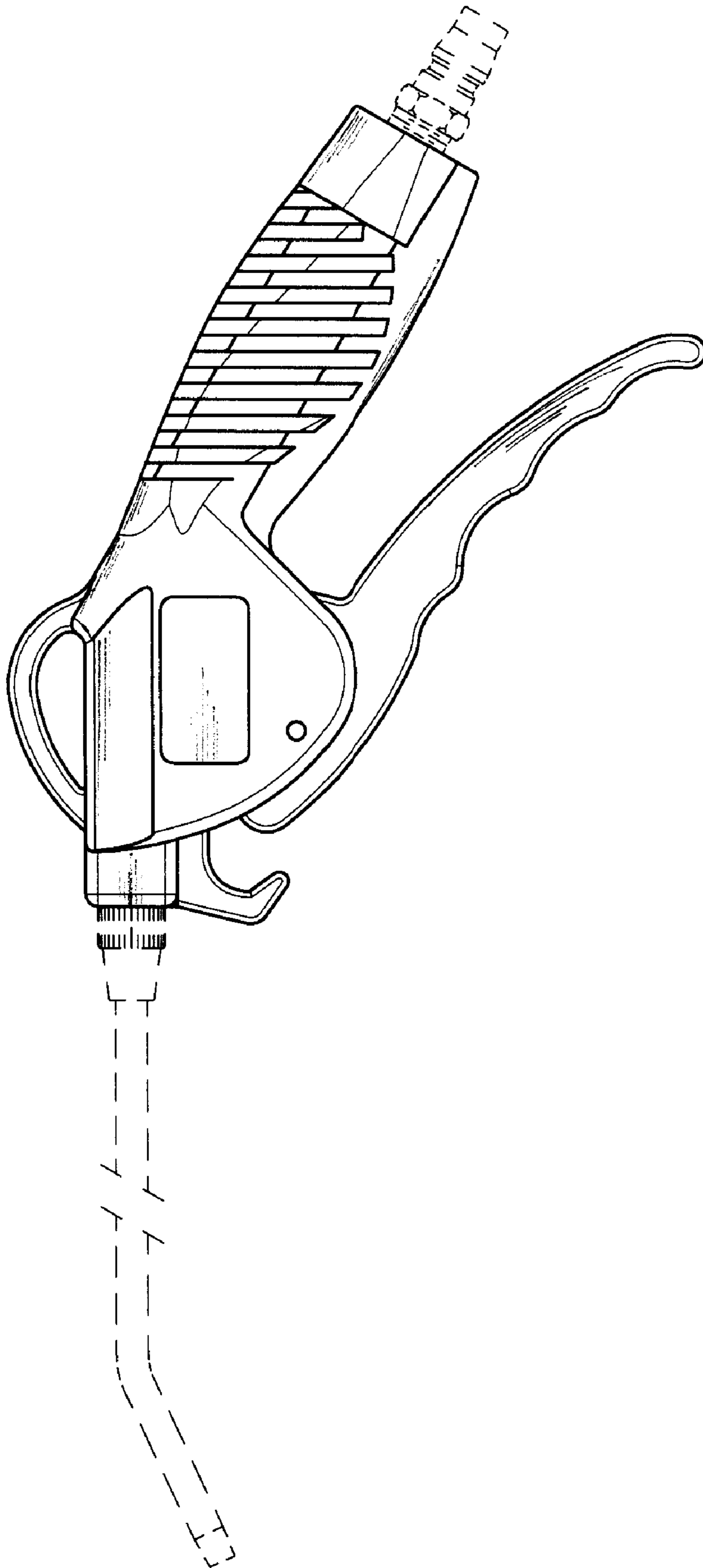


FIG.9

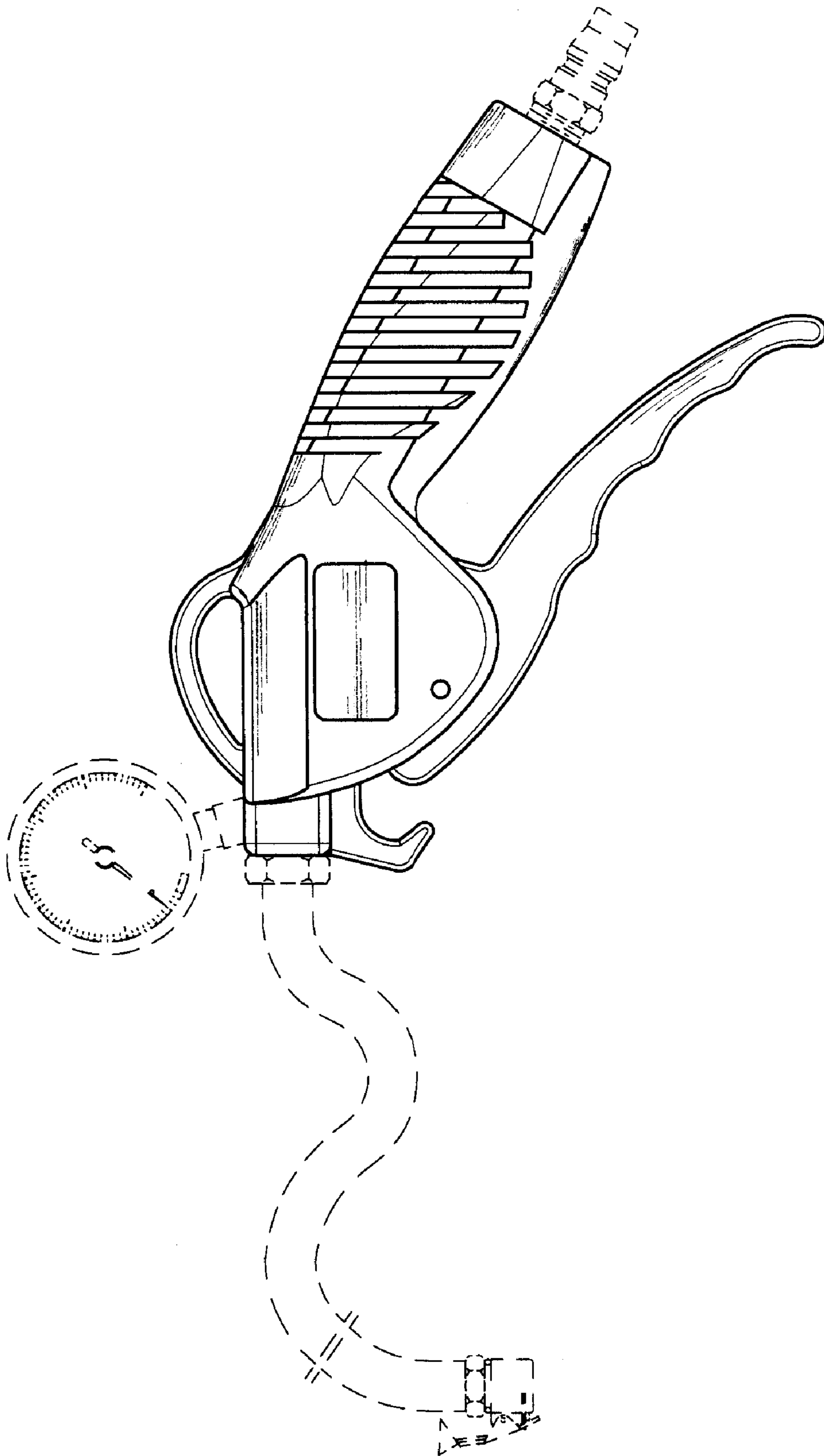


FIG.10

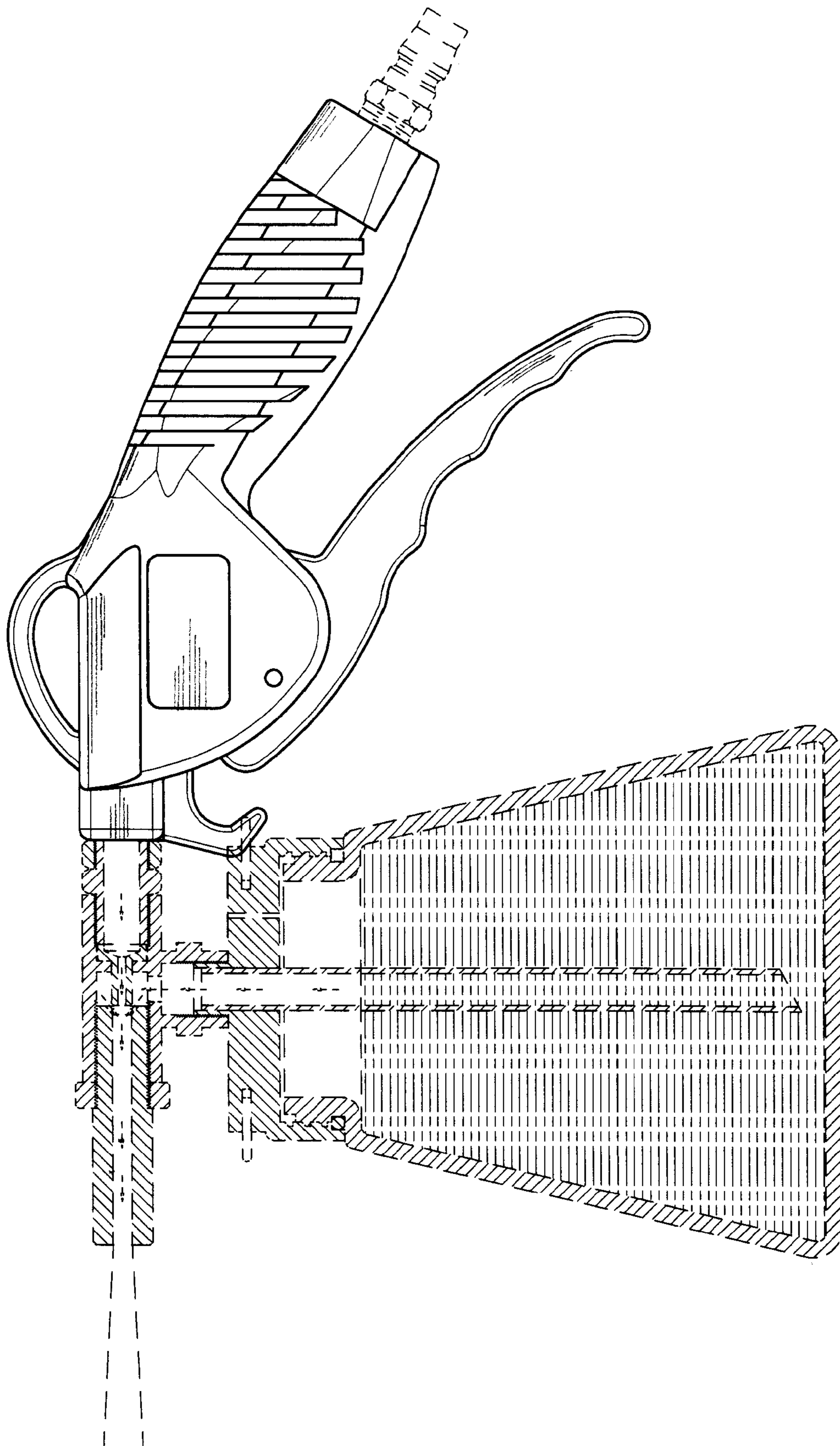


FIG. 11

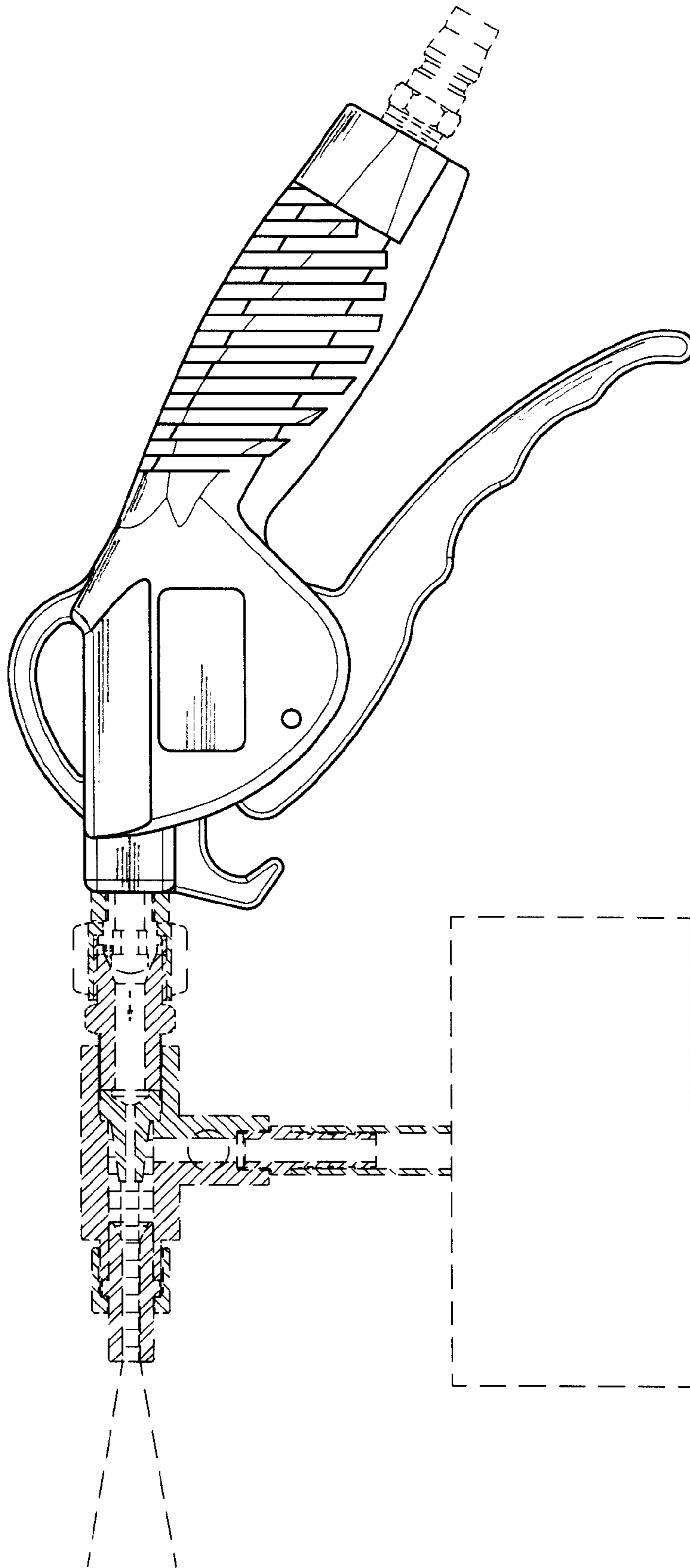


FIG.12

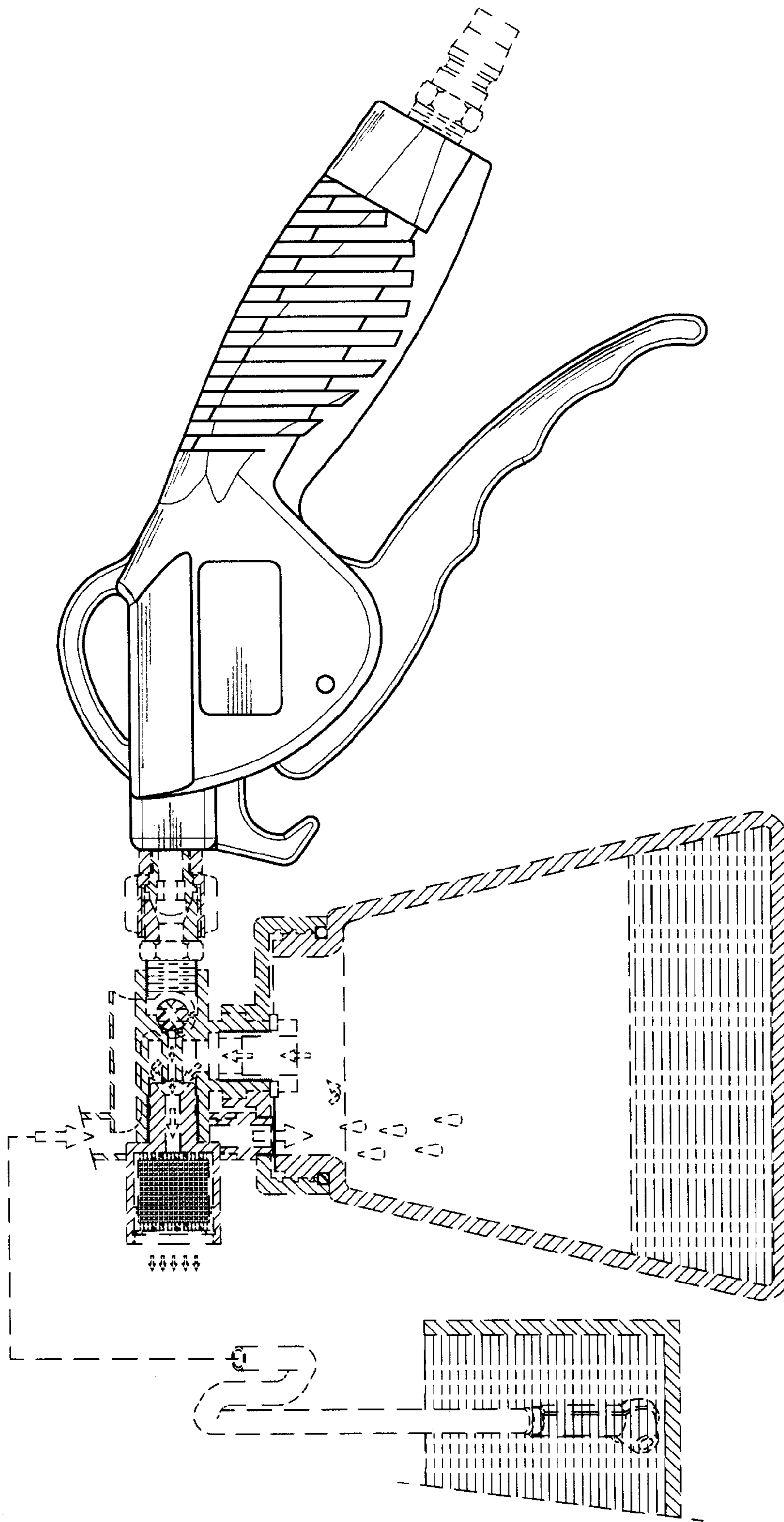


FIG.13