



US00D552213S

(12) **United States Design Patent**
Schmon et al.

(10) **Patent No.:** **US D552,213 S**

(45) **Date of Patent:** **** Oct. 2, 2007**

(54) **PAINT SPRAY GUN**

6,585,173 B2 * 7/2003 Schmon et al. D23/526
6,626,382 B1 * 9/2003 Liu 239/569
7,017,838 B2 * 3/2006 Schmon 239/526

(75) Inventors: **Ewald Schmon**, Grafenberg (DE);
Albrecht Kruse, Fichtestrasse (DE)

* cited by examiner

(73) Assignee: **SATA GmbH & Co. KG**,
Kornwestheim (DE)

Primary Examiner—Robin V. Webster
(74) *Attorney, Agent, or Firm*—Martin Fleit; Paul D.
Bianco; Fleit Kain Gibbons Gutman Bongini & Bianco P.L.

(**) Term: **14 Years**

(21) Appl. No.: **29/252,716**

(57) **CLAIM**

(22) Filed: **Jan. 26, 2006**

The ornamental design for a paint spray gun, as shown and described.

(30) **Foreign Application Priority Data**

Jul. 28, 2005 (EM) 000378815

DESCRIPTION

(51) **LOC (8) Cl.** **23-01**

FIG. 1 is a first front perspective view of a paint spray gun of the subject invention;

(52) **U.S. Cl.** **D23/226**

FIG. 2 is a second front perspective view of thereof;

(58) **Field of Classification Search** D23/223,
D23/226; 239/525–6, 690–1, DIG. 14
See application file for complete search history.

FIG. 3 is a first side view thereof;

FIG. 4 is a front view thereof;

FIG. 5 is a rear view thereof;

FIG. 6 is a bottom view thereof; and,

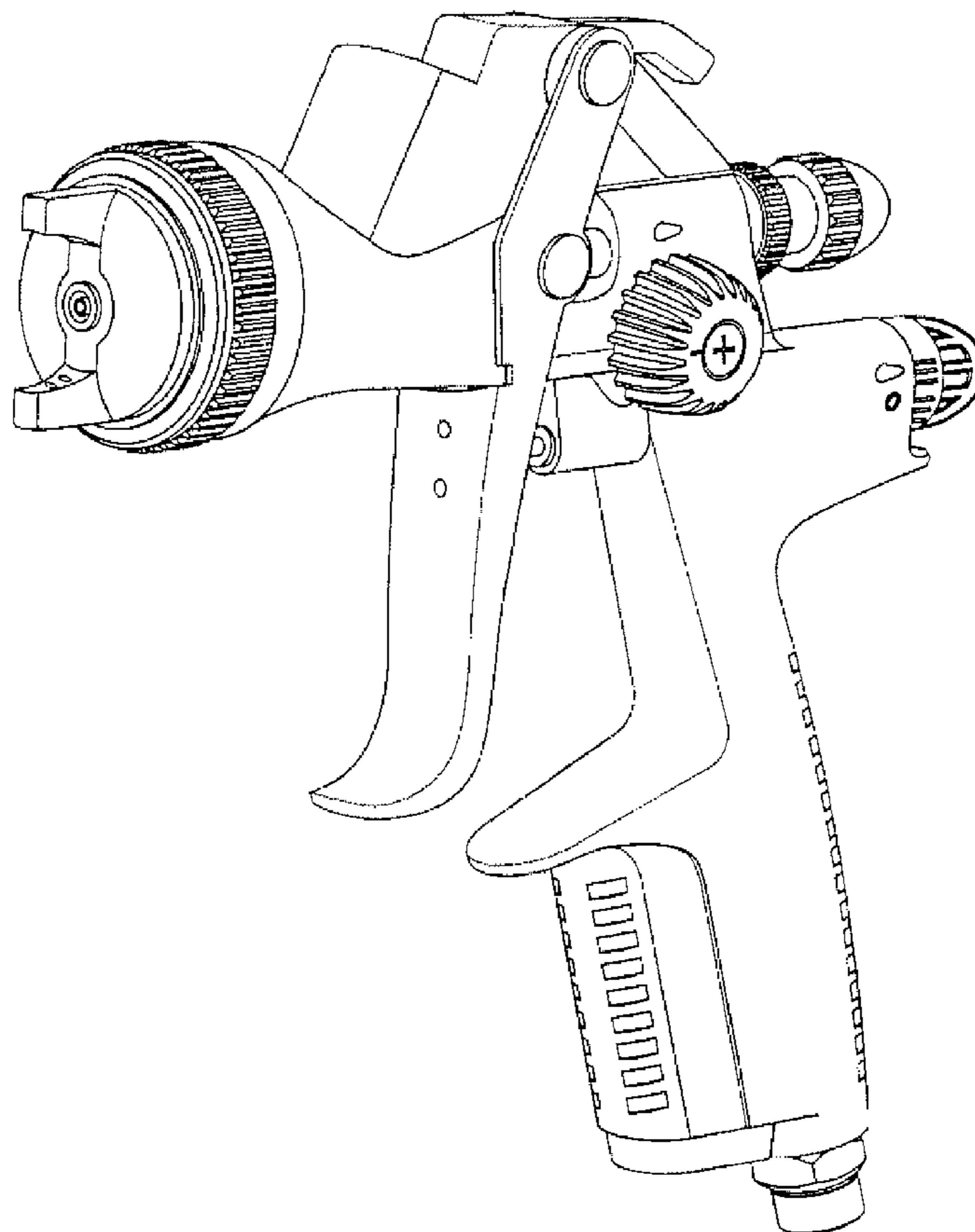
FIG. 7 is a top view thereof.

(56) **References Cited**

U.S. PATENT DOCUMENTS

D314,421 S * 2/1991 Tajima et al. D23/226
D405,503 S * 2/1999 Endo D23/226

1 Claim, 7 Drawing Sheets



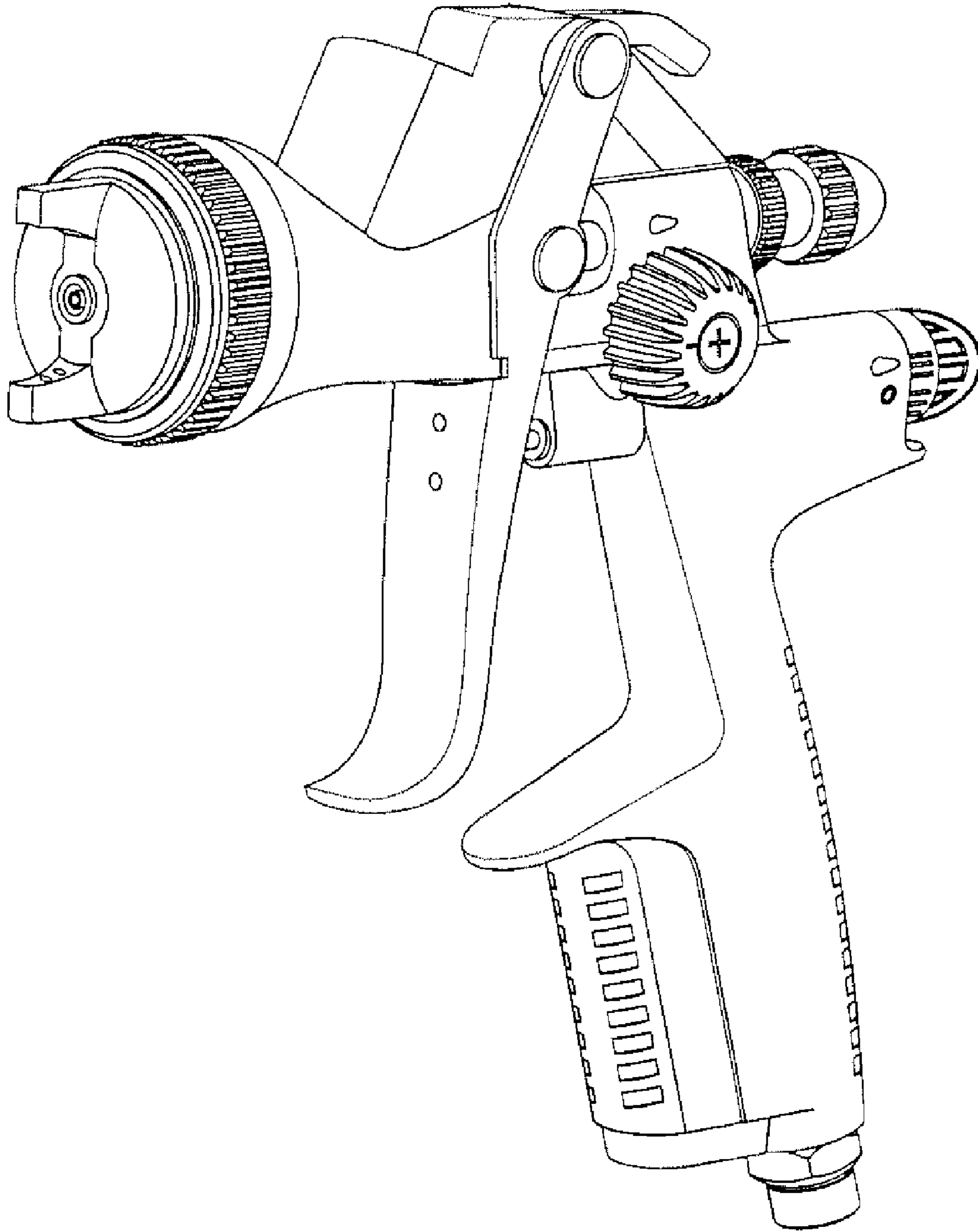


FIG. 1

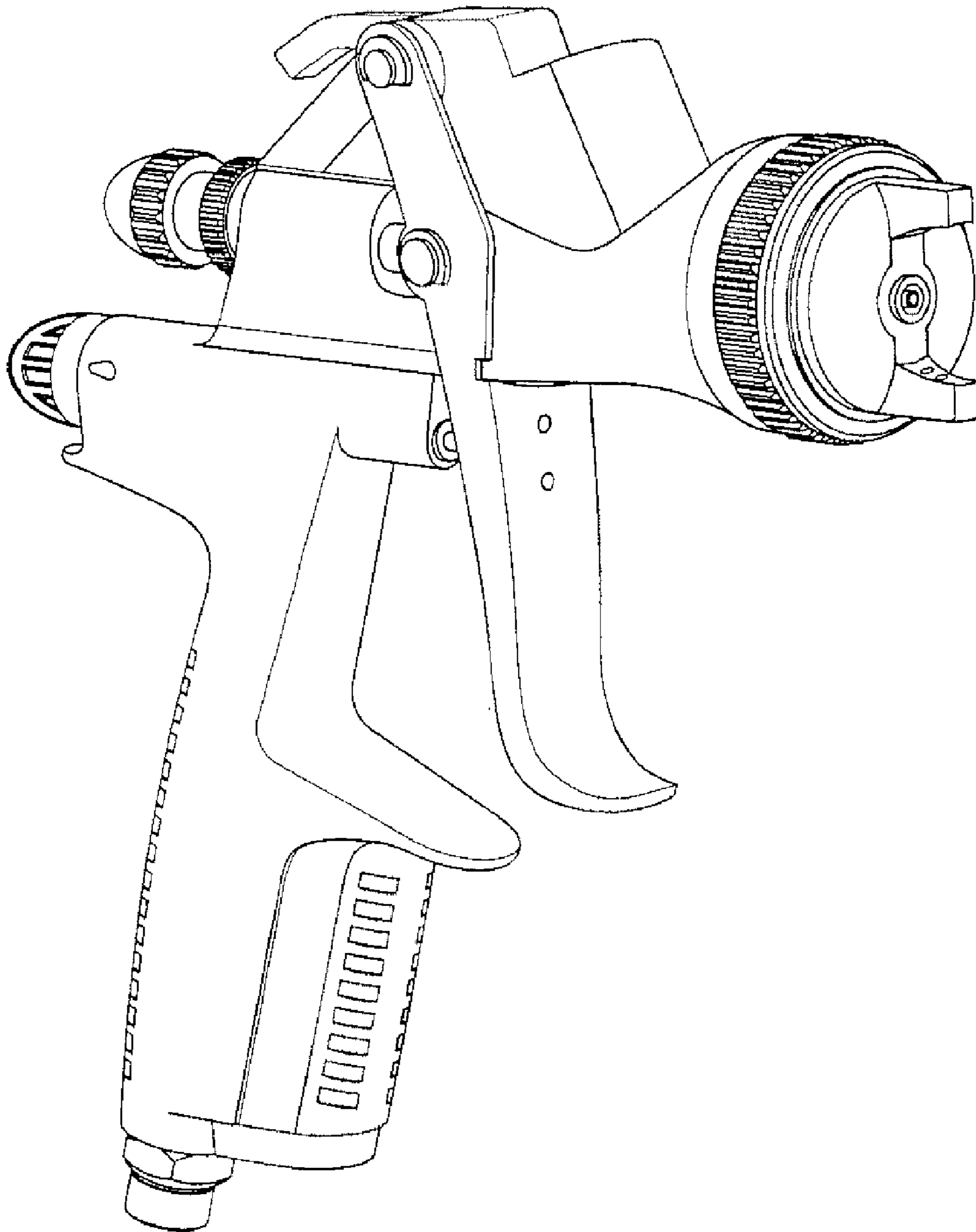


FIG. 2

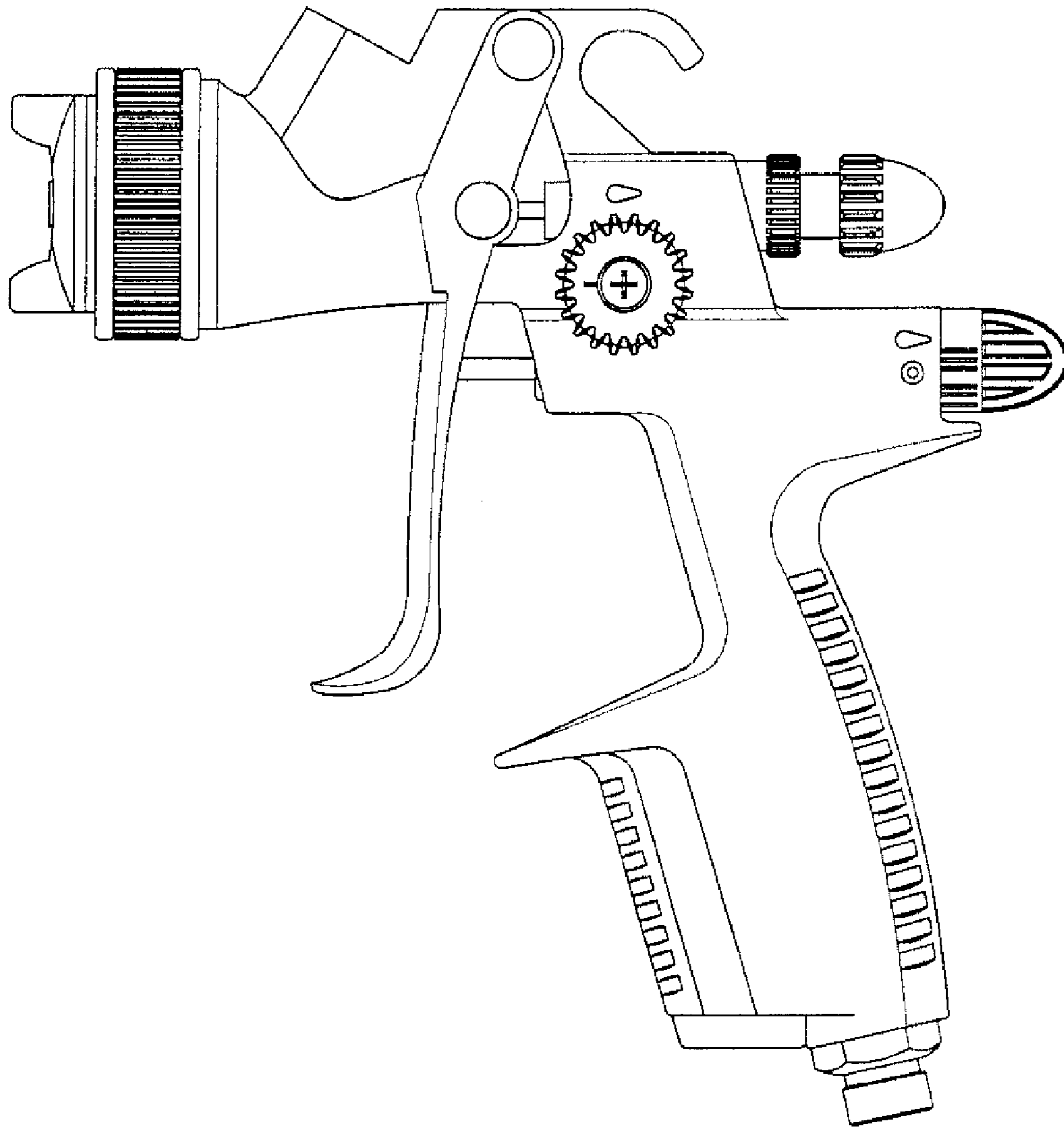


FIG. 3

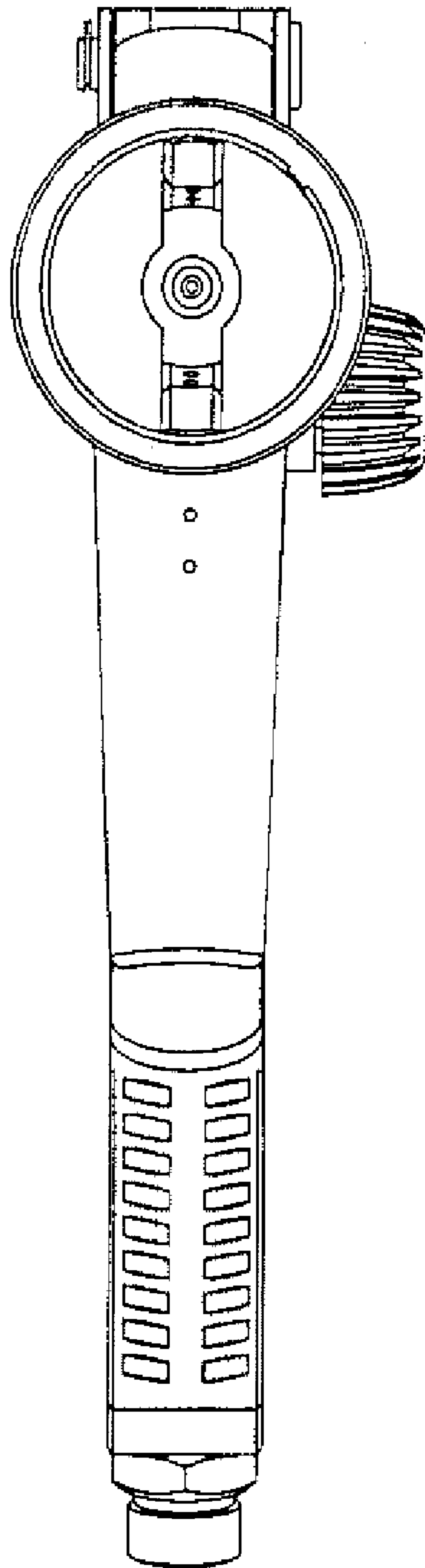


FIG. 4

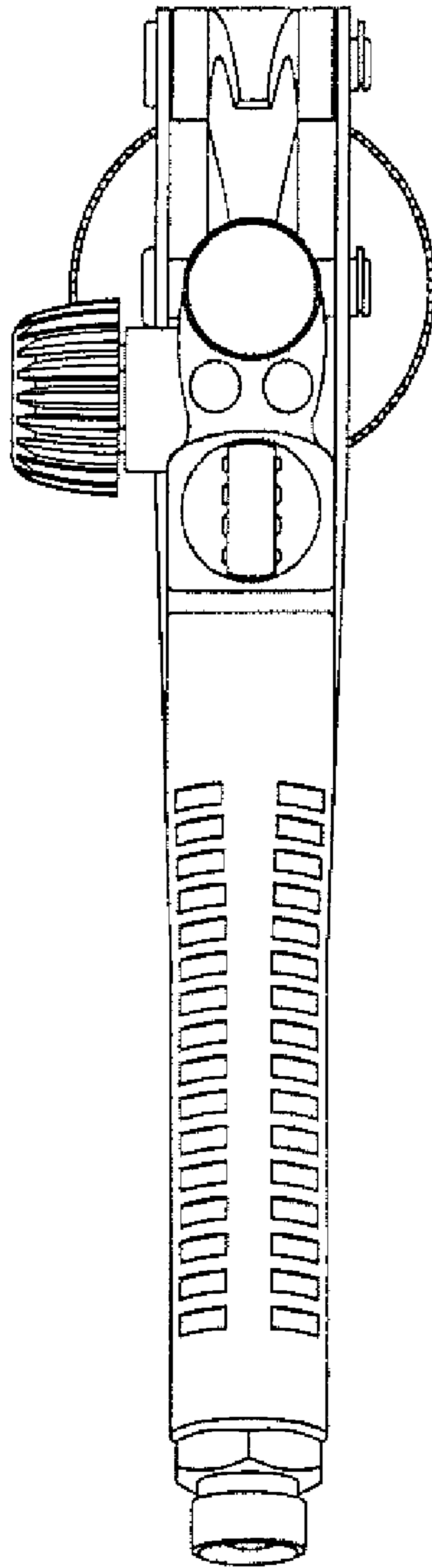


FIG. 5

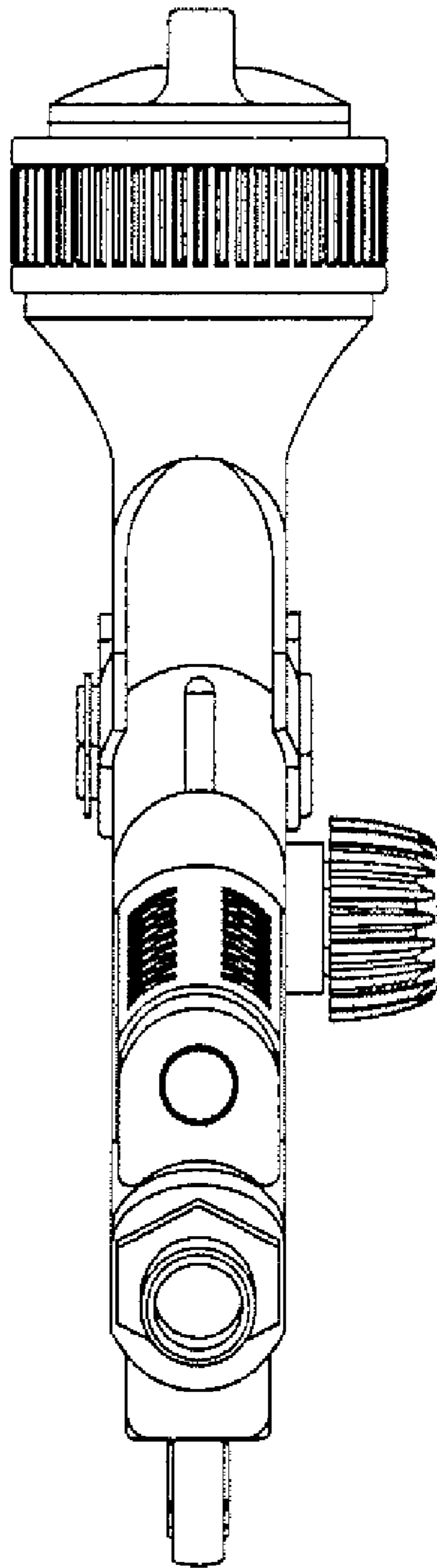


FIG. 6

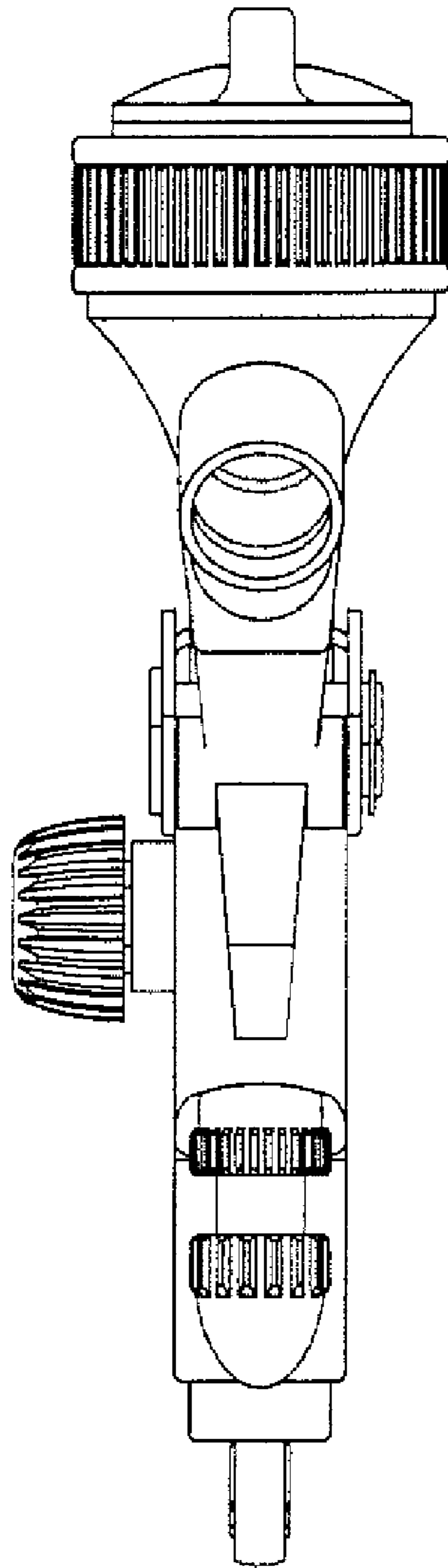


FIG. 7

UNITED STATES PATENT AND TRADEMARK OFFICE
CERTIFICATE OF CORRECTION

PATENT NO. : Des. 552,213 S
APPLICATION NO. : 29/252,716
DATED : October 2, 2007
INVENTOR(S) : Ewald Schmon and Albrecht Kruse

Page 1 of 1

It is certified that error appears in the above-identified patent and that said Letters Patent is hereby corrected as shown below:

Title Page
Item (75) under Grafenberg (DE), change the inventor's city of residence from "Fichtstrasse" to --STUTTGART--.

Signed and Sealed this

Twenty-fifth Day of December, 2007

A handwritten signature in black ink that reads "Jon W. Dudas". The signature is written in a cursive style with a large, looped initial "J".

JON W. DUDAS
Director of the United States Patent and Trademark Office