



US00D552210S

(12) **United States Design Patent**  
**Zhu**

(10) **Patent No.:** **US D552,210 S**

(45) **Date of Patent:** **\*\* Oct. 2, 2007**

(54) **SHOWERHEAD**

(75) Inventor: **Fang Zhu**, Taichung (TW)

(73) Assignee: **Globe Union Industrial Corp.**,  
Taichung (TW)

(\*\*) Term: **14 Years**

(21) Appl. No.: **29/246,805**

(22) Filed: **May 11, 2006**

(51) **LOC (8) Cl.** ..... **23-01**

(52) **U.S. Cl.** ..... **D23/213**

(58) **Field of Classification Search** ..... D23/213,  
D23/223, 229-30; 4/615; 239/282-3  
See application file for complete search history.

(56) **References Cited**

U.S. PATENT DOCUMENTS

D468,934 S *	1/2003	Dienstmann	.....	D6/449
D524,411 S *	7/2006	Eilmus	.....	D23/229
D524,908 S *	7/2006	Hoernig	.....	D23/223
D527,071 S *	8/2006	Hoernig	.....	D23/223

\* cited by examiner

*Primary Examiner*—Robin Webster

(74) *Attorney, Agent, or Firm*—Leong C. Lei

(57) **CLAIM**

The ornamental design for a showerhead, as shown and described.

**DESCRIPTION**

FIG. 1 is a perspective view of a showerhead showing my new design;

FIG. 2 is a front elevational view thereof;

FIG. 3 is a left side elevational view thereof;

FIG. 4 is a right side elevational view thereof;

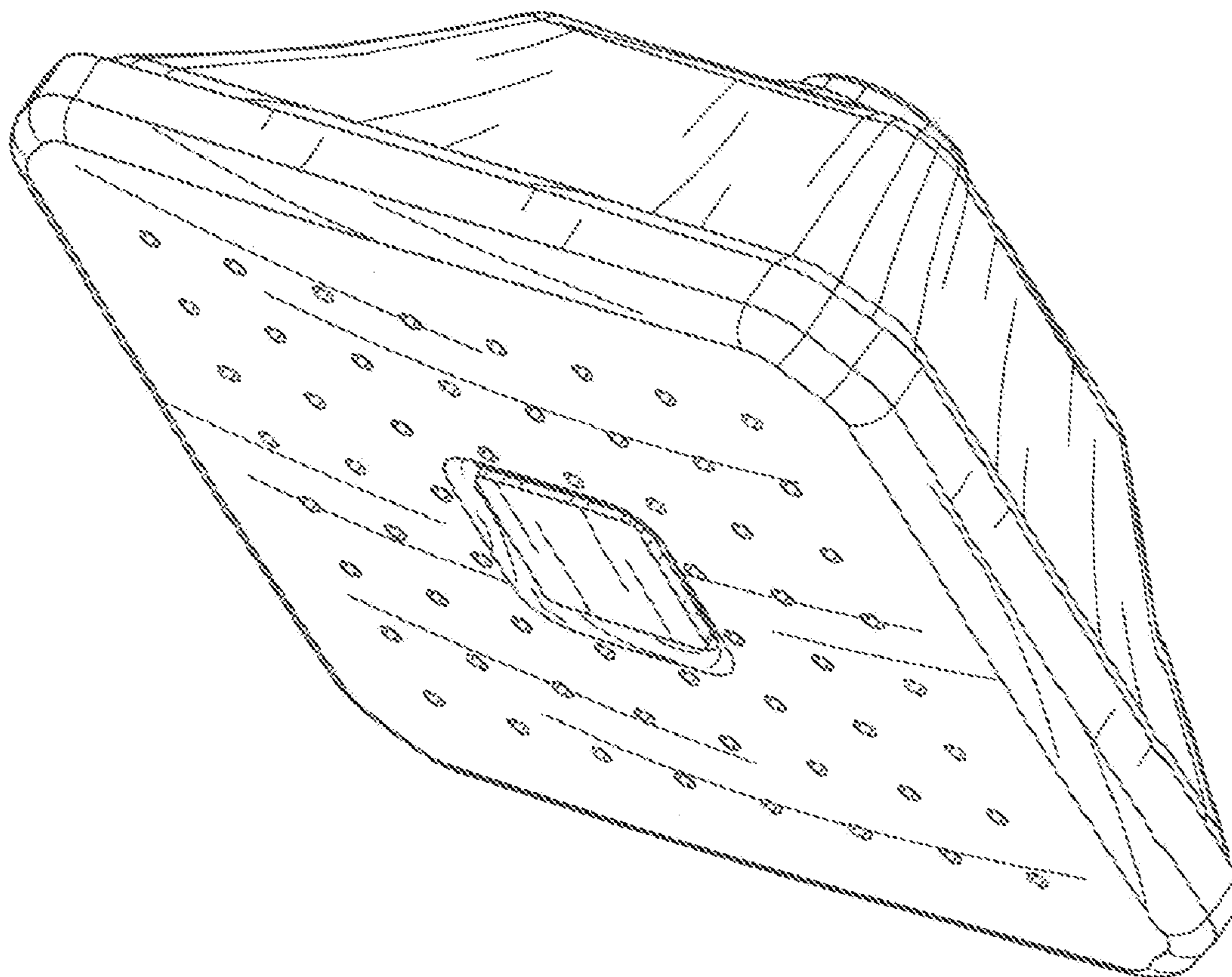
FIG. 5 is a top plan view thereof;

FIG. 6 is a bottom plan view thereof; and,

FIG. 7 is another perspective view thereof, with a showerhead pipe mounting bracket engaged.

The dotted line showing of the showerhead pipe mounting bracket is for illustrative purposes only and forms no part of the claimed design.

**1 Claim, 6 Drawing Sheets**



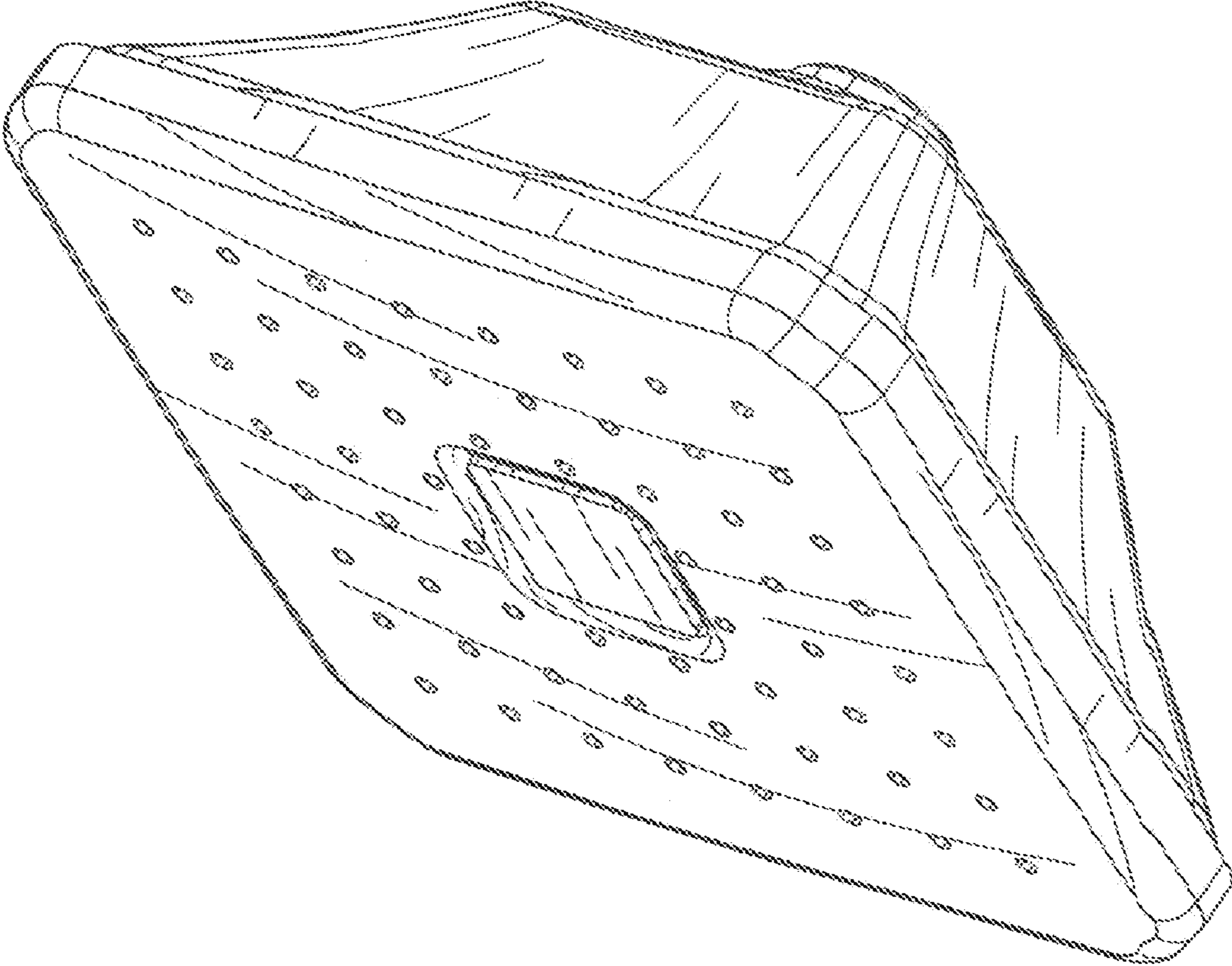


FIG. 1

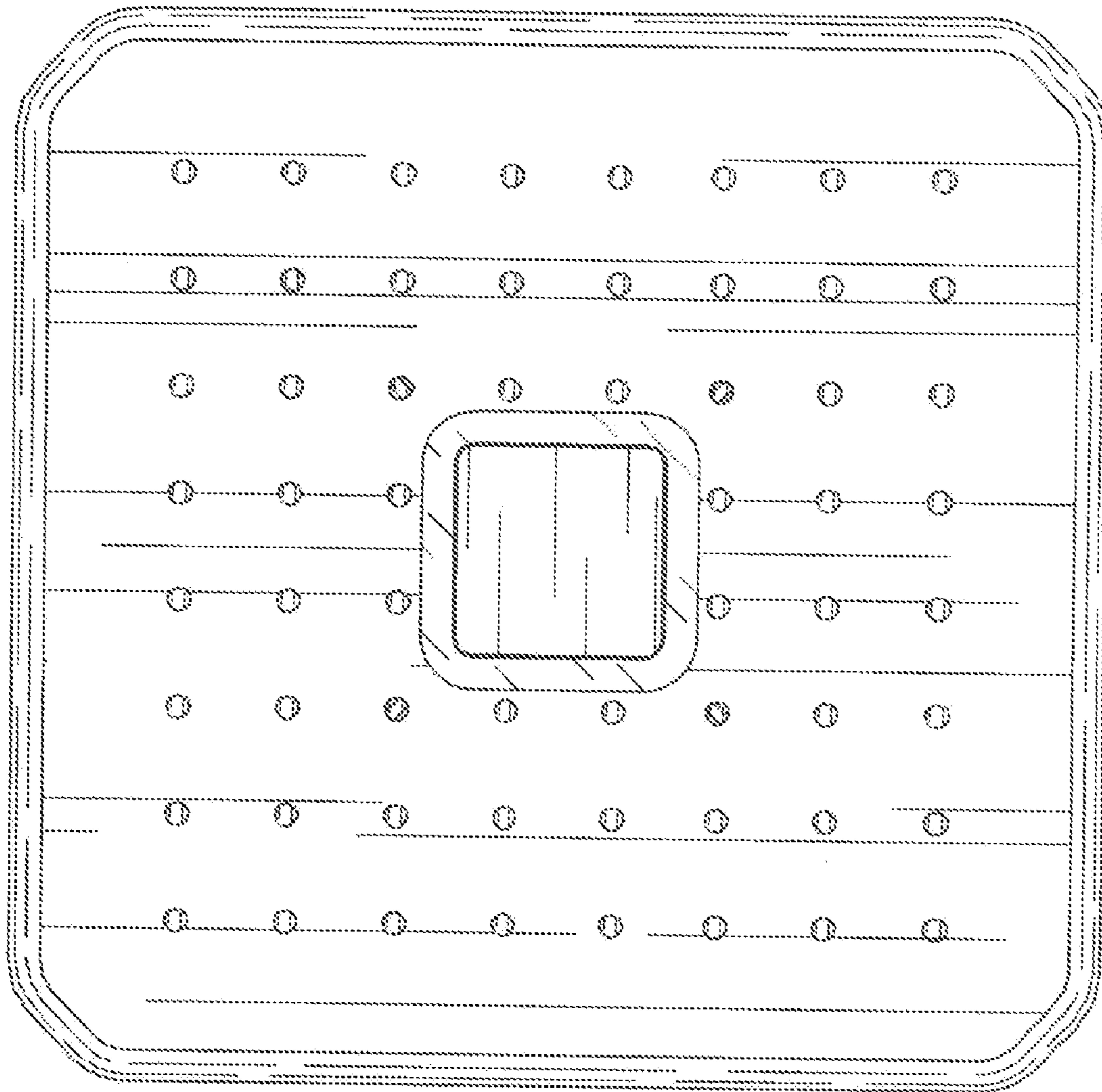


FIG. 2

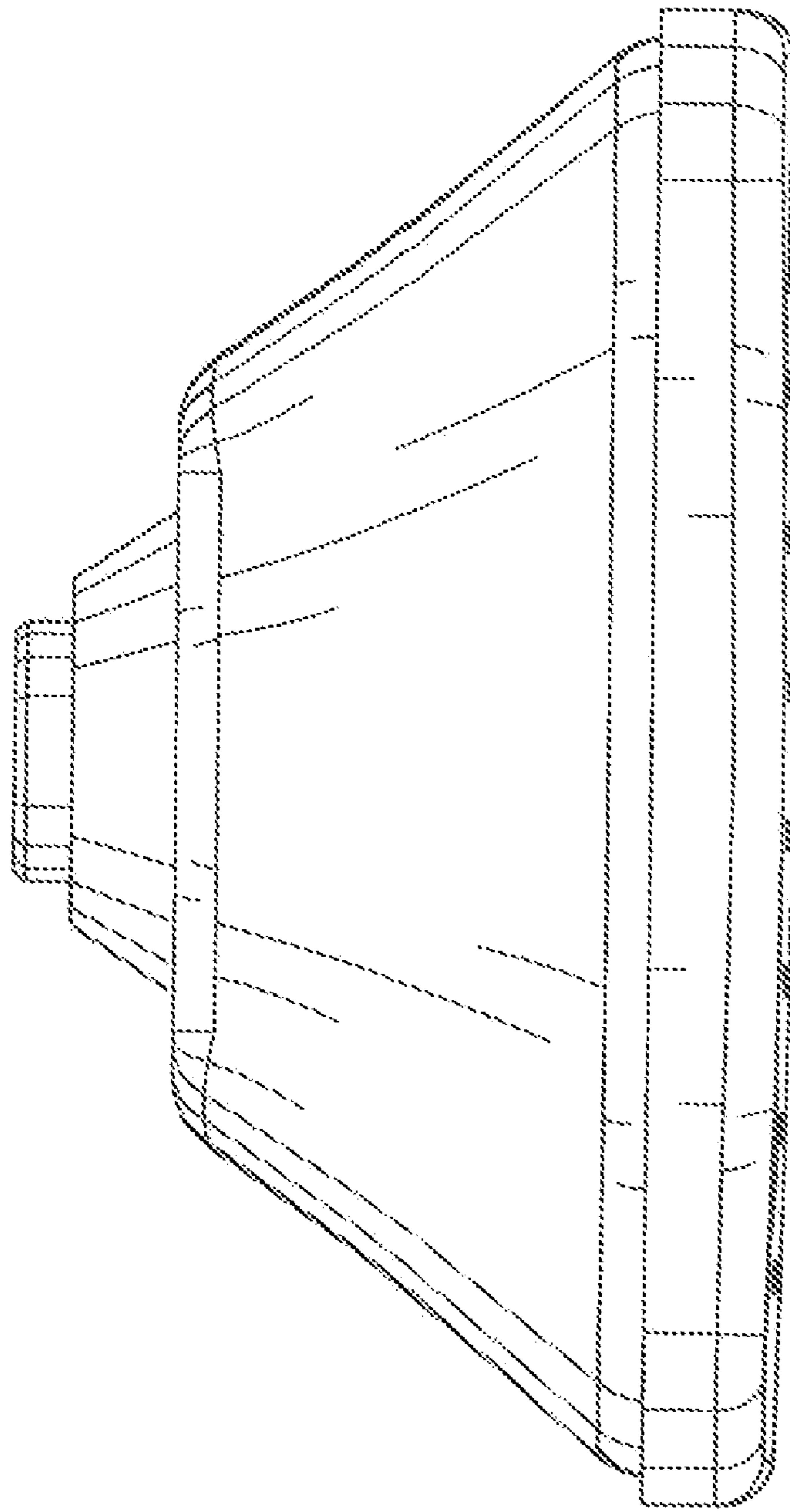


FIG. 3



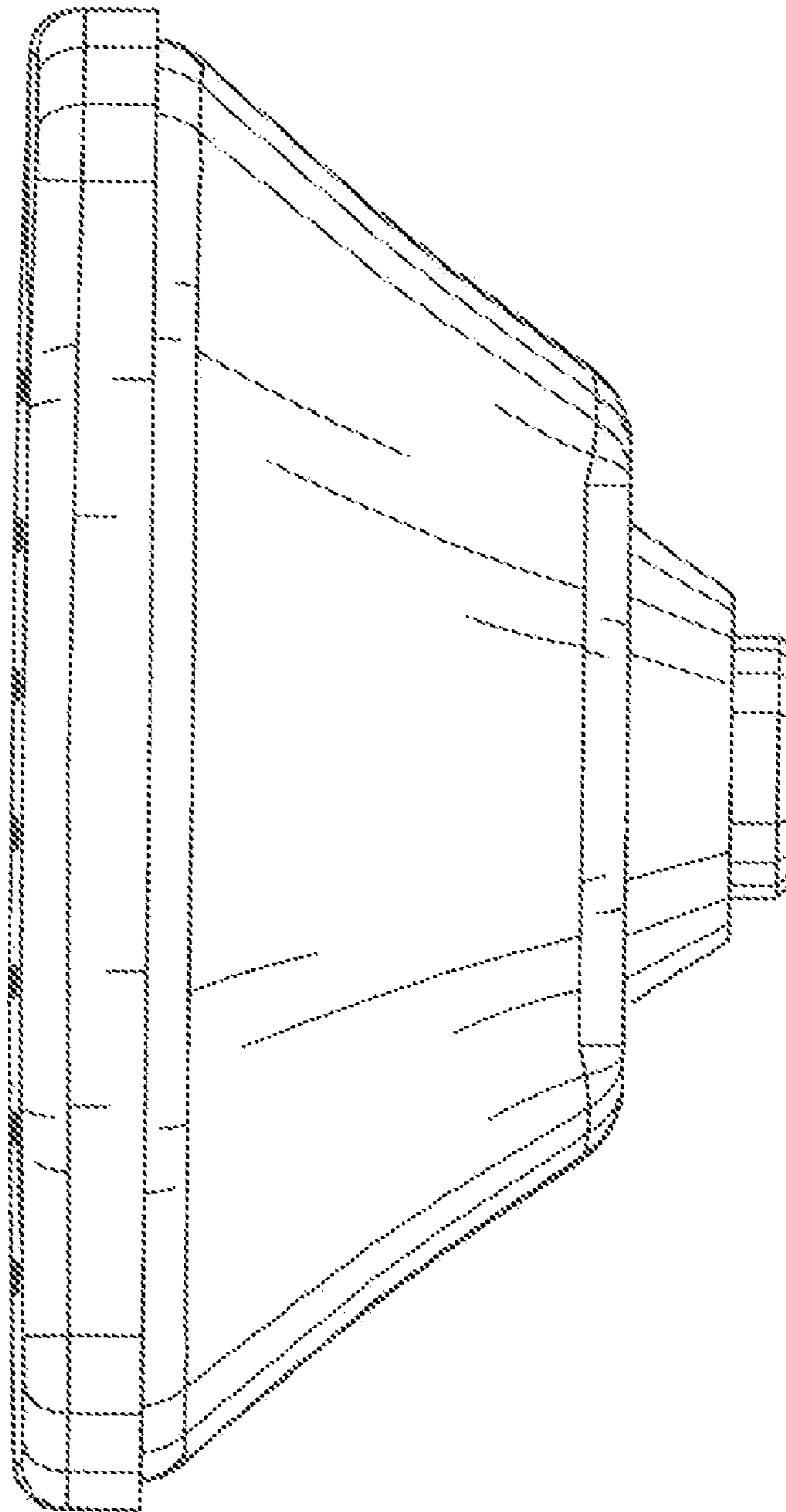


FIG. 4

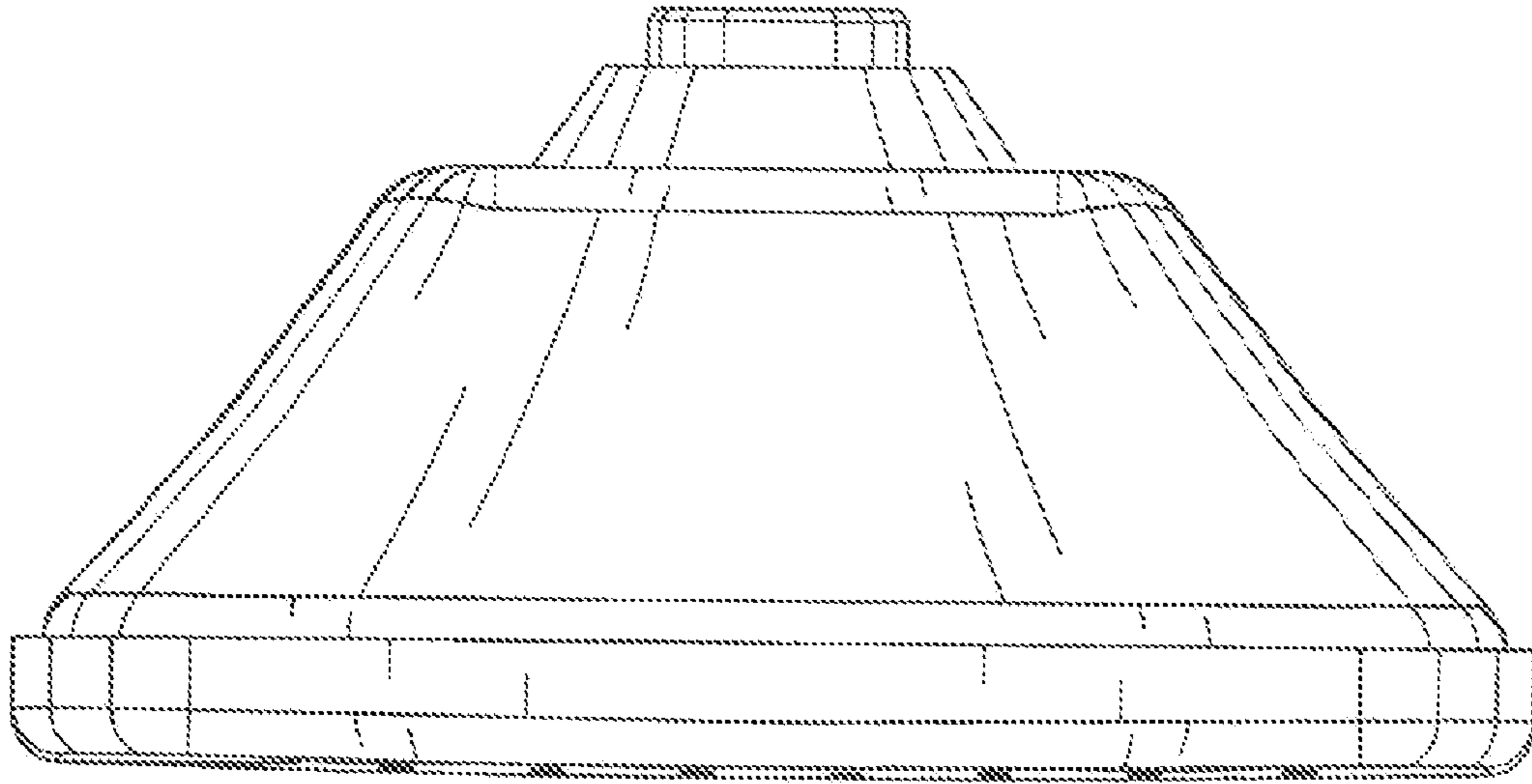


FIG. 5

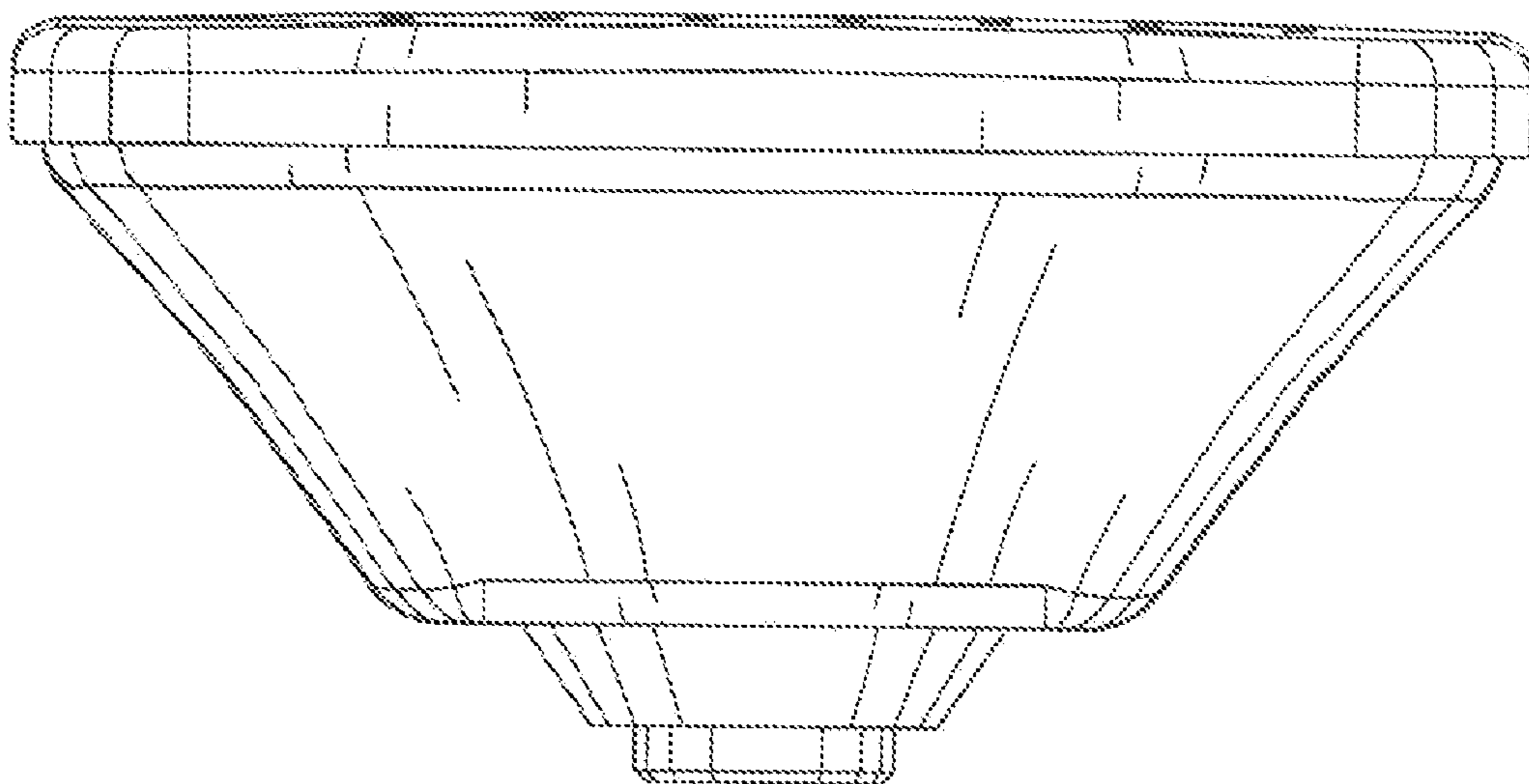


FIG. 6

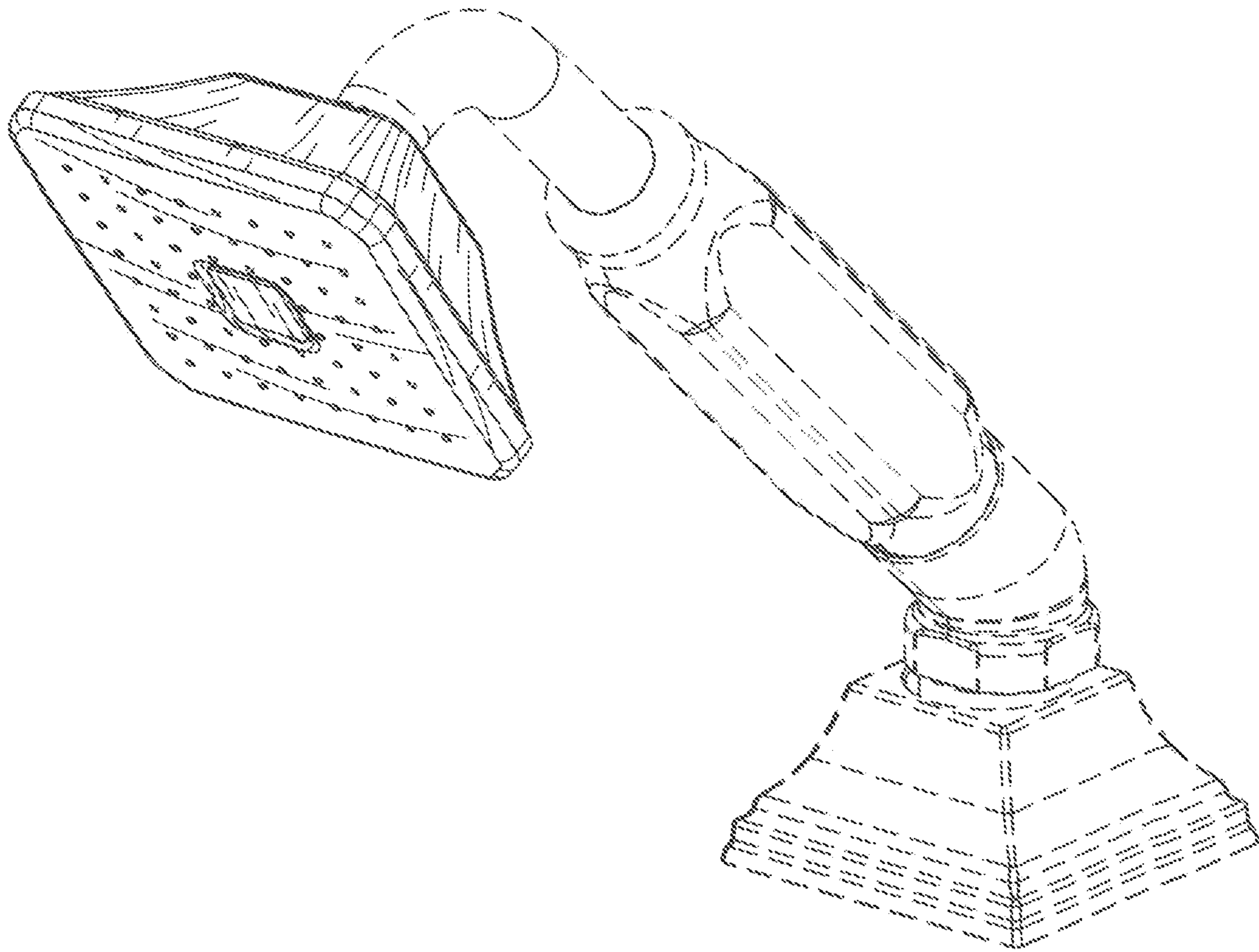


FIG. 7