



US00D552202S

(12) **United States Design Patent**  
**Peterson**

(10) **Patent No.:** **US D552,202 S**

(45) **Date of Patent:** **\*\* Oct. 2, 2007**

(54) **INFLATABLE AQUATIC FLOAT**

D464,390 S \* 10/2002 Hunter ..... D21/803  
6,746,291 B1 \* 6/2004 Coleman et al. .... 441/65  
6,808,457 B1 \* 10/2004 Paukert et al. .... 472/14

(75) Inventor: **Leroy L. Peterson**, Omaha, NE (US)

(73) Assignee: **Sportsstuff, Inc.**, Omaha, NE (US)

\* cited by examiner

(\*\*) Term: **14 Years**

*Primary Examiner*—Janice E. Seeger

*Assistant Examiner*—Zenia I. Bennett

(21) Appl. No.: **29/267,305**

(74) *Attorney, Agent, or Firm*—Sturm & Fix LLP

(22) Filed: **Oct. 11, 2006**

(57) **CLAIM**

(51) **LOC (8) Cl.** ..... **12-02**

The ornamental design for an inflatable aquatic float, as shown and described.

(52) **U.S. Cl.** ..... **D21/803**

(58) **Field of Classification Search** ..... D21/769–770,  
D21/801, 803, 809; D6/392, 596, 601, 604;  
472/128–129; D12/5, 6, 316; 114/253, 345–346;  
441/35, 66, 40–42, 129–132  
See application file for complete search history.

**DESCRIPTION**

FIG. 1 is a perspective view of the inflatable aquatic float showing my new design;

FIG. 2 is a top plan view thereof,

FIG. 3 is a front elevational view thereof, the rear elevational view being a mirror image thereof;

FIG. 4 is a right side elevational view thereof, the left side elevational view being a mirror image thereof; and,

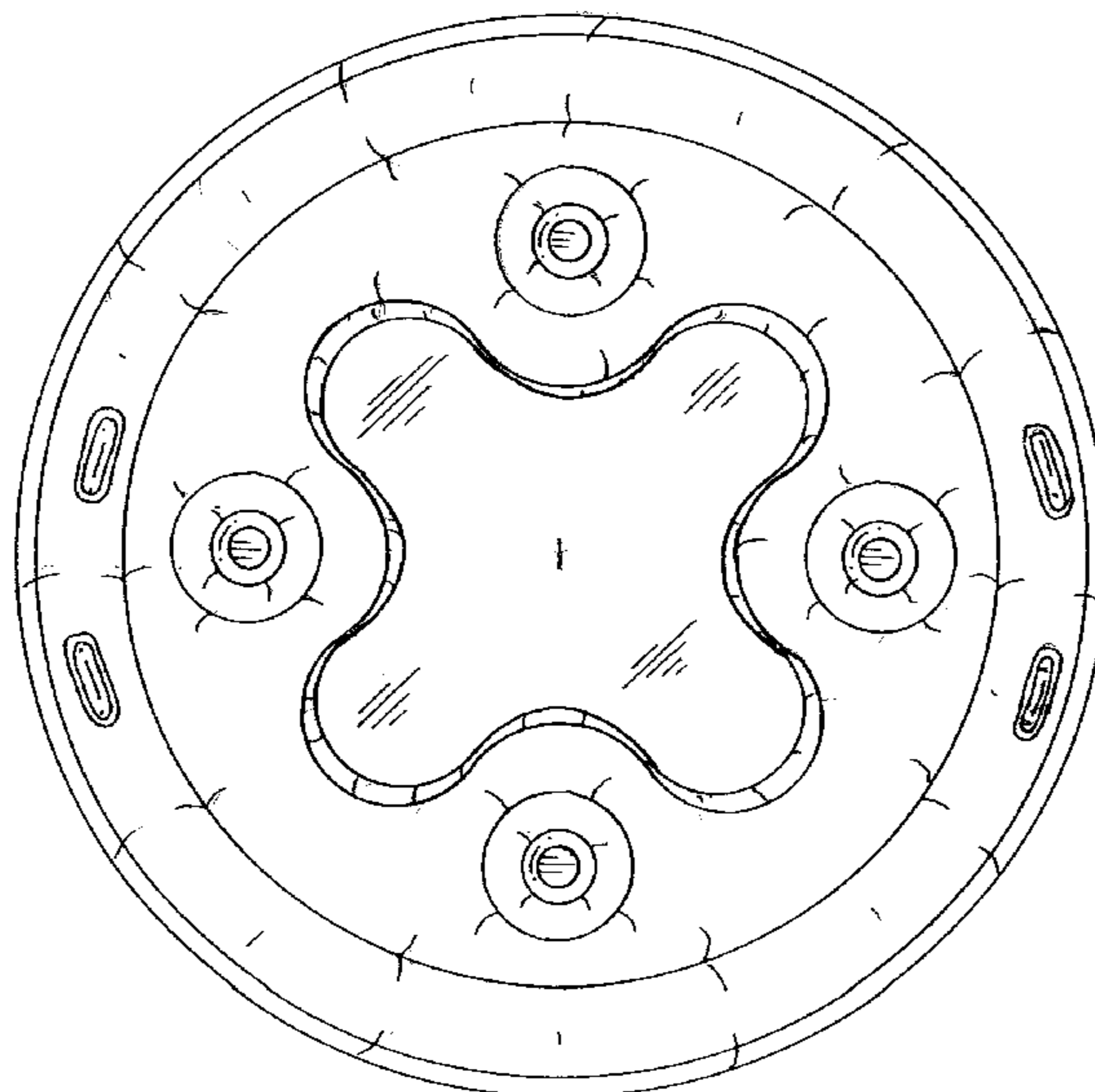
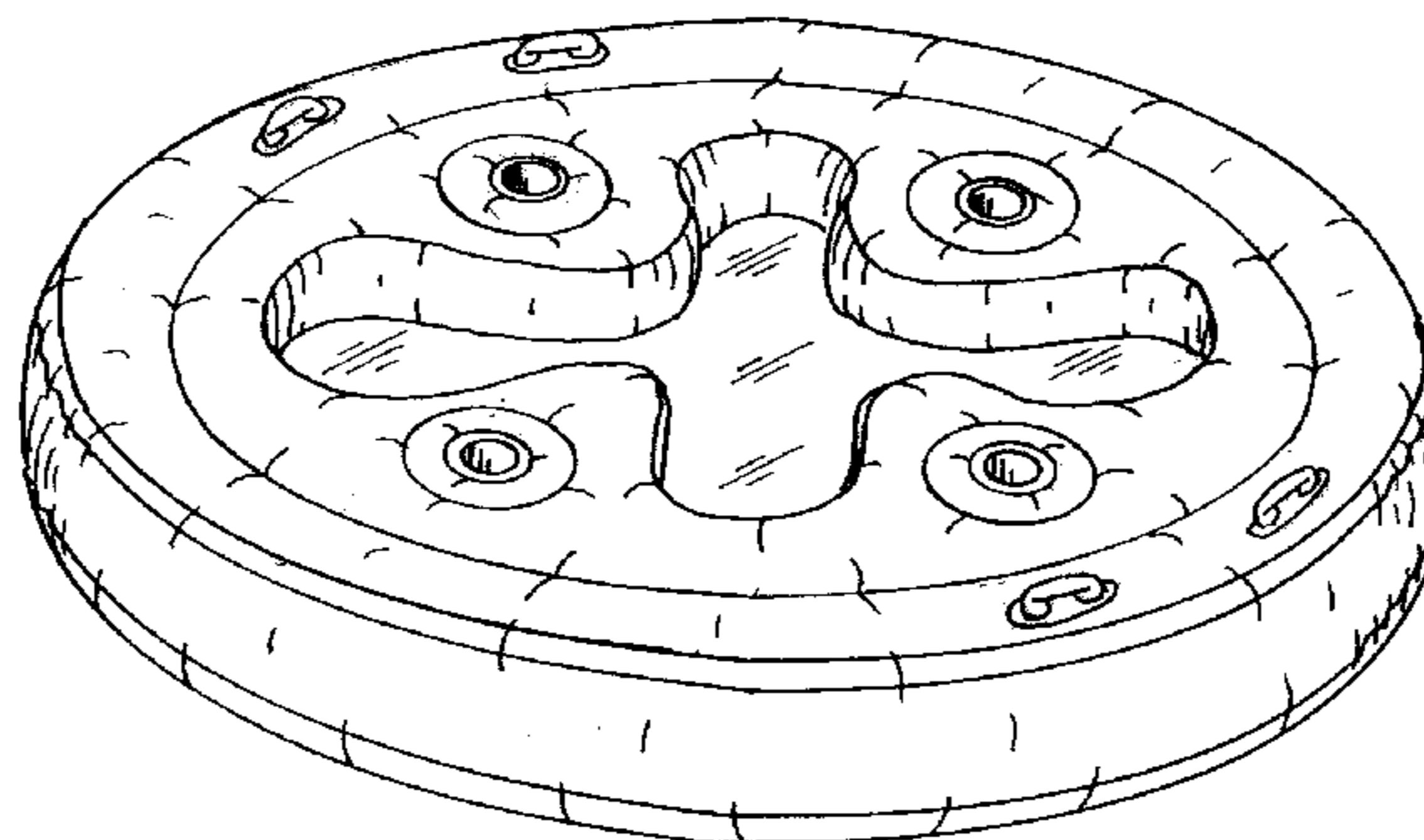
FIG. 5 is a bottom plan view thereof.

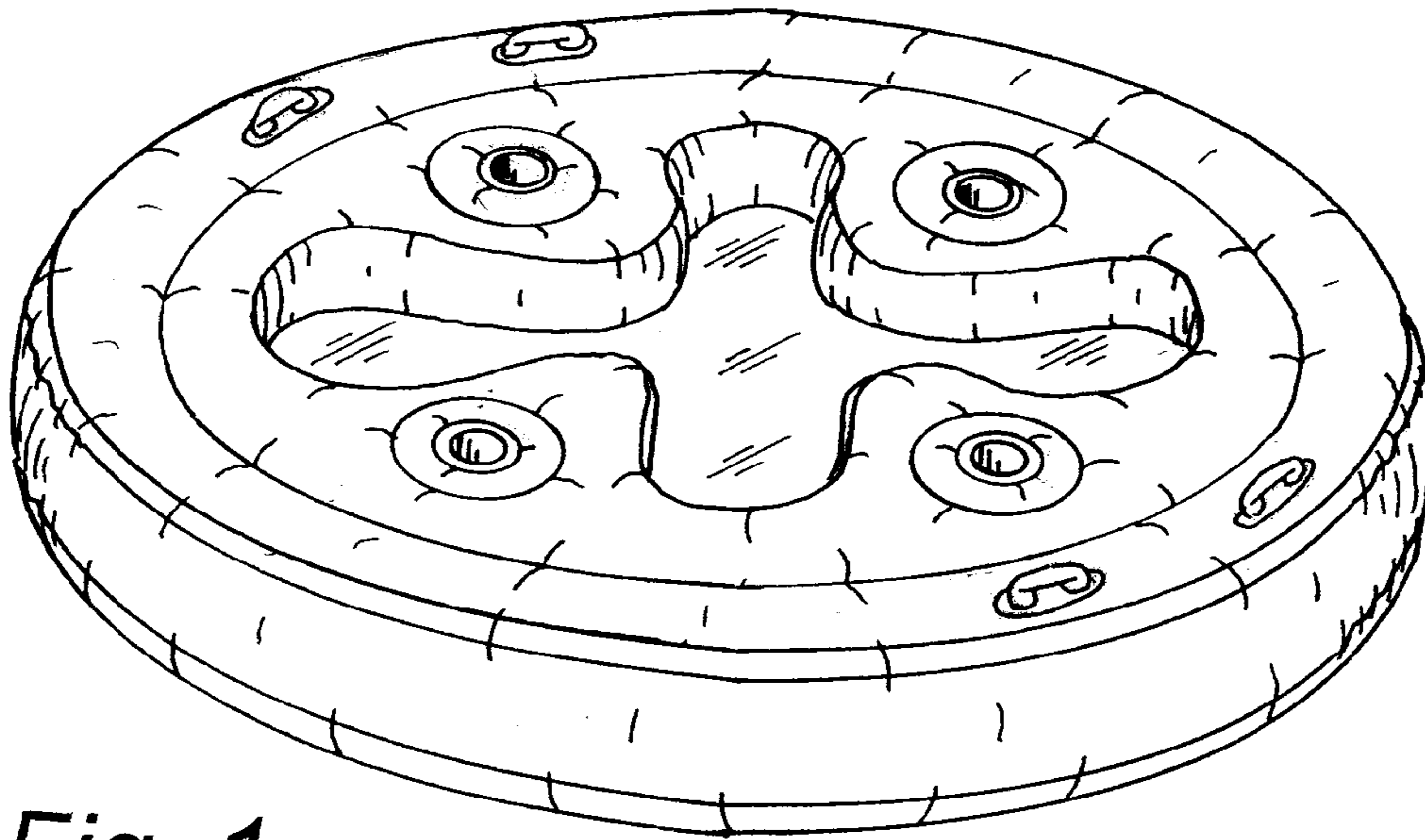
(56) **References Cited**

U.S. PATENT DOCUMENTS

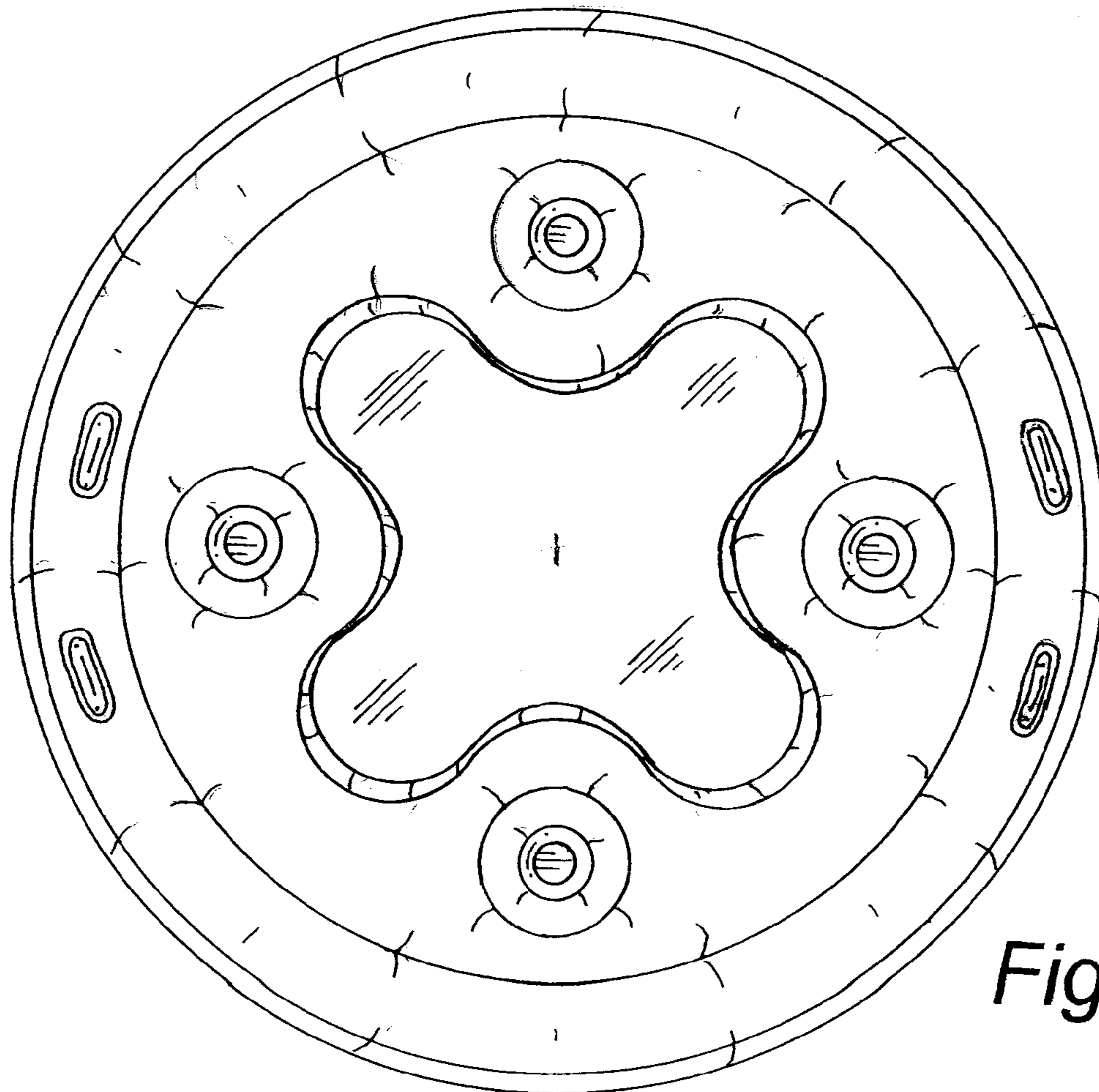
3,416,169 A \* 12/1968 Emery ..... 5/644  
D239,673 S \* 4/1976 Siegler ..... D7/624.1  
D407,776 S \* 4/1999 Peterson ..... D21/803  
D432,614 S \* 10/2000 Peterson ..... D21/803  
D435,619 S \* 12/2000 Peterson ..... D21/803

**1 Claim, 2 Drawing Sheets**

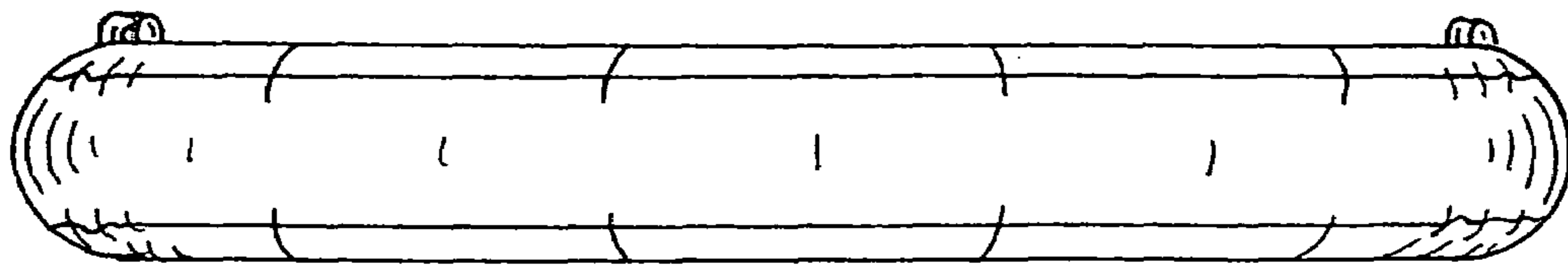




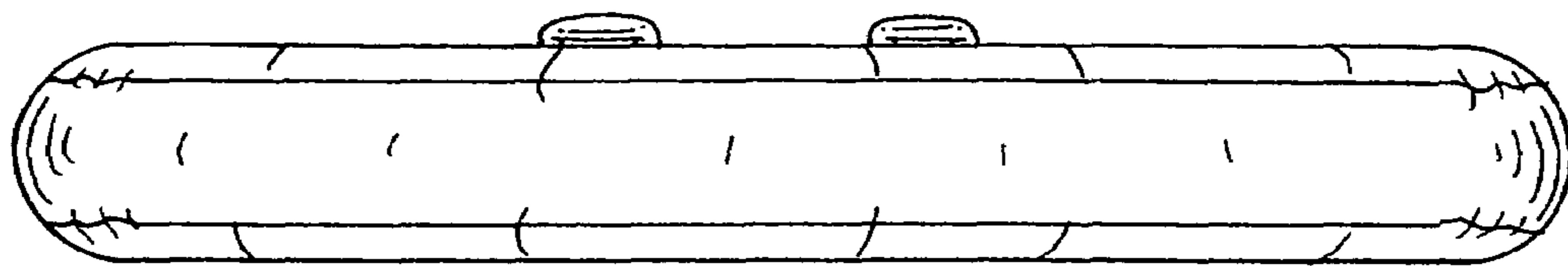
*Fig. 1*



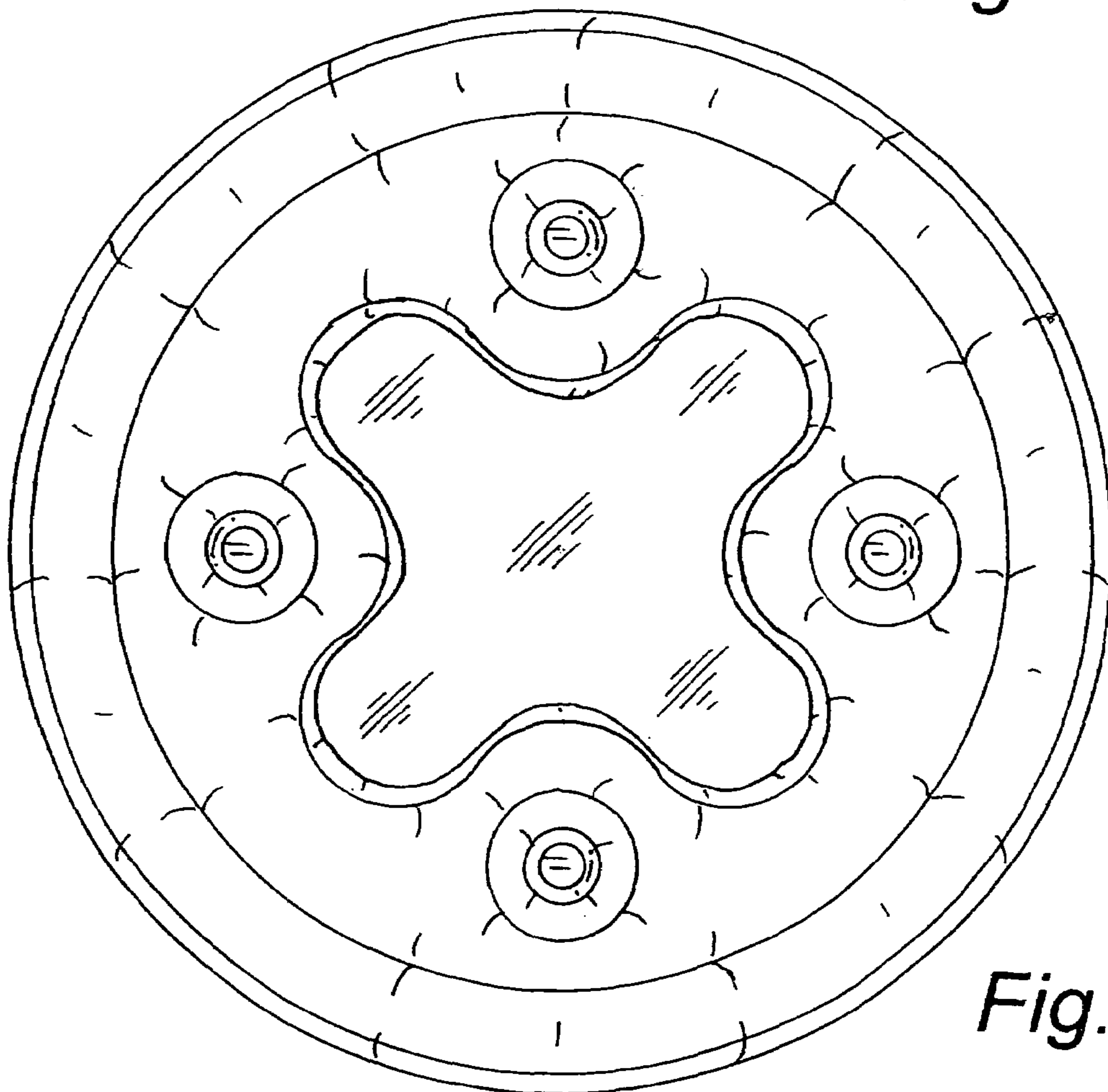
*Fig. 2*



*Fig. 3*



*Fig. 4*



*Fig. 5*