



US00D552201S

(12) **United States Design Patent**  
**Kwak**

(10) **Patent No.:** **US D552,201 S**

(45) **Date of Patent:** **\*\* Oct. 2, 2007**

(54) **SKATEBOARD**

(76) **Inventor:** **No Un Kwak**, 301 N. Beauregard St.,  
Apartment #1616, Alexandria, VA (US)  
22312

(\*\*) **Term:** **14 Years**

(21) **Appl. No.:** **29/227,985**

(22) **Filed:** **Apr. 19, 2005**

(51) **LOC (8) Cl.** ..... **21-02**

(52) **U.S. Cl.** ..... **D21/765**

(58) **Field of Classification Search** ..... D21/423,  
D21/760, 765, 771, 779; 280/87.01, 87.021,  
280/87.03, 87.041, 87.042, 57.05, 11.115,  
280/11.27, 11.28; 180/180, 181  
See application file for complete search history.

(56) **References Cited**

**U.S. PATENT DOCUMENTS**

1,696,597	A *	12/1928	Fergusson	.....	280/11.16
D95,773	S *	5/1935	Morgan et al.	.....	D21/763
D144,605	S *	5/1946	Blumm	.....	D21/761
4,153,263	A *	5/1979	Yoshimoto	.....	280/843
D302,993	S *	8/1989	Heilig	.....	D21/765
D338,253	S *	8/1993	Smith et al.	.....	D21/765

D397,753	S *	9/1998	Lin	.....	D21/765
5,997,018	A *	12/1999	Lee	.....	280/87.042
D437,377	S *	2/2001	Fisher	.....	D21/765
D505,470	S *	5/2005	Hong	.....	D21/765

\* cited by examiner

*Primary Examiner*—Holly H. Baynham  
*Assistant Examiner*—Cynthia M. Chin  
(74) *Attorney, Agent, or Firm*—Steven Kreiss

(57) **CLAIM**

The ornamental design for a skateboard, as shown and described.

**DESCRIPTION**

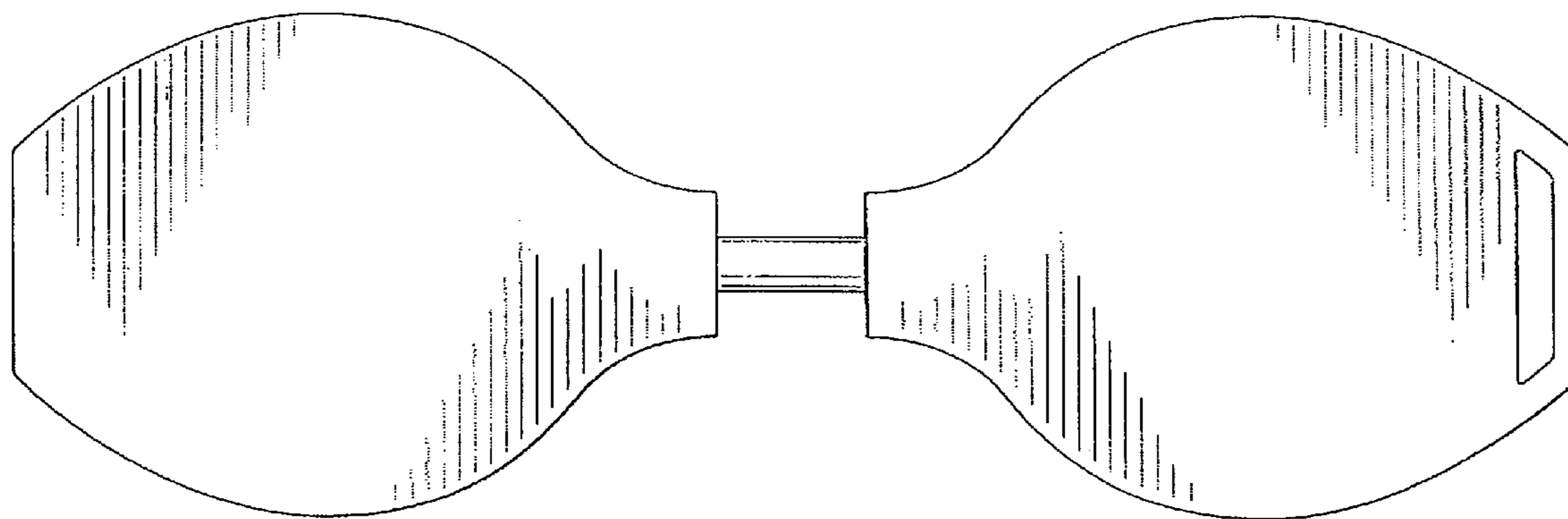
FIG. 1 is a top plan view of the skateboard showing my new design in an assembled condition;

FIG. 2 is a side elevation view of the skateboard showing my new design in an assembled condition; and,

FIG. 3 is a front elevation view of the skateboard showing my new design in an assembled condition.

The broken lines are for illustrative purposes only and form no part of the claimed design.

**1 Claim, 1 Drawing Sheet**



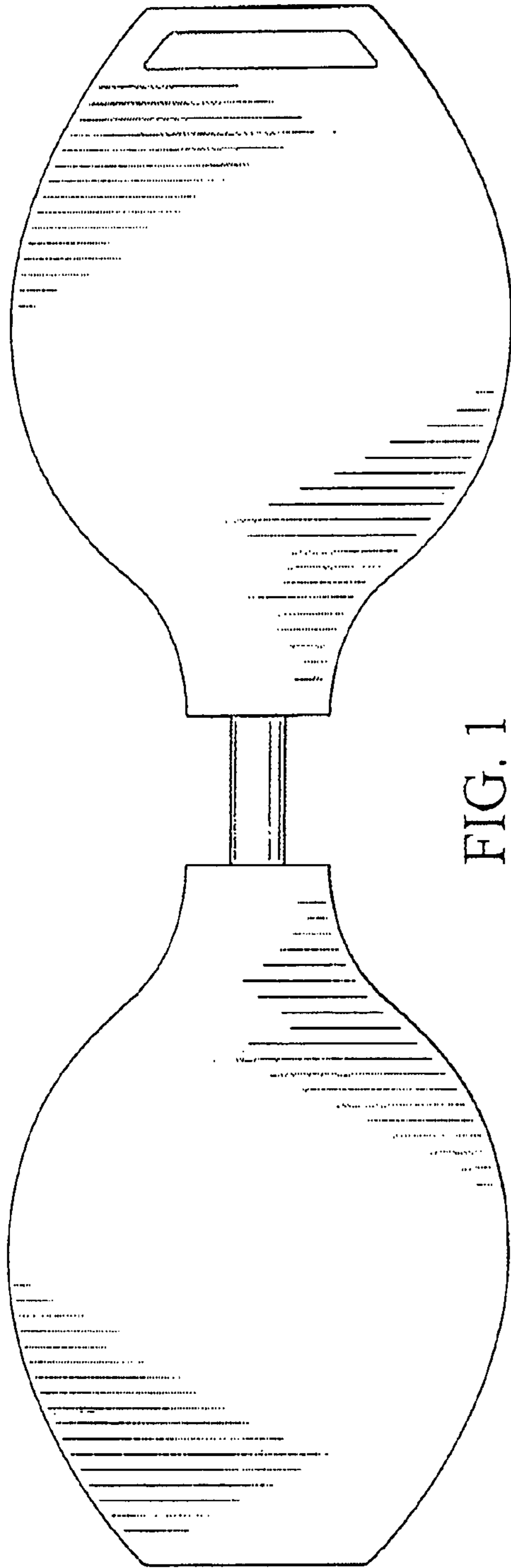


FIG. 1

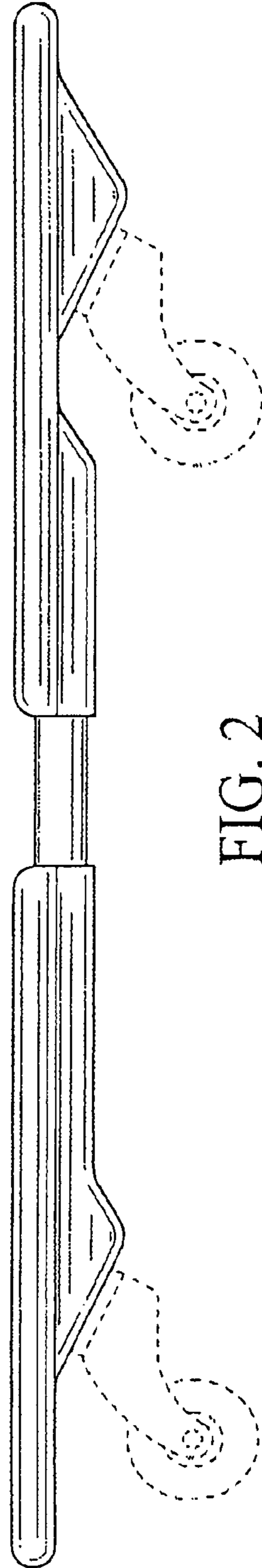


FIG. 2

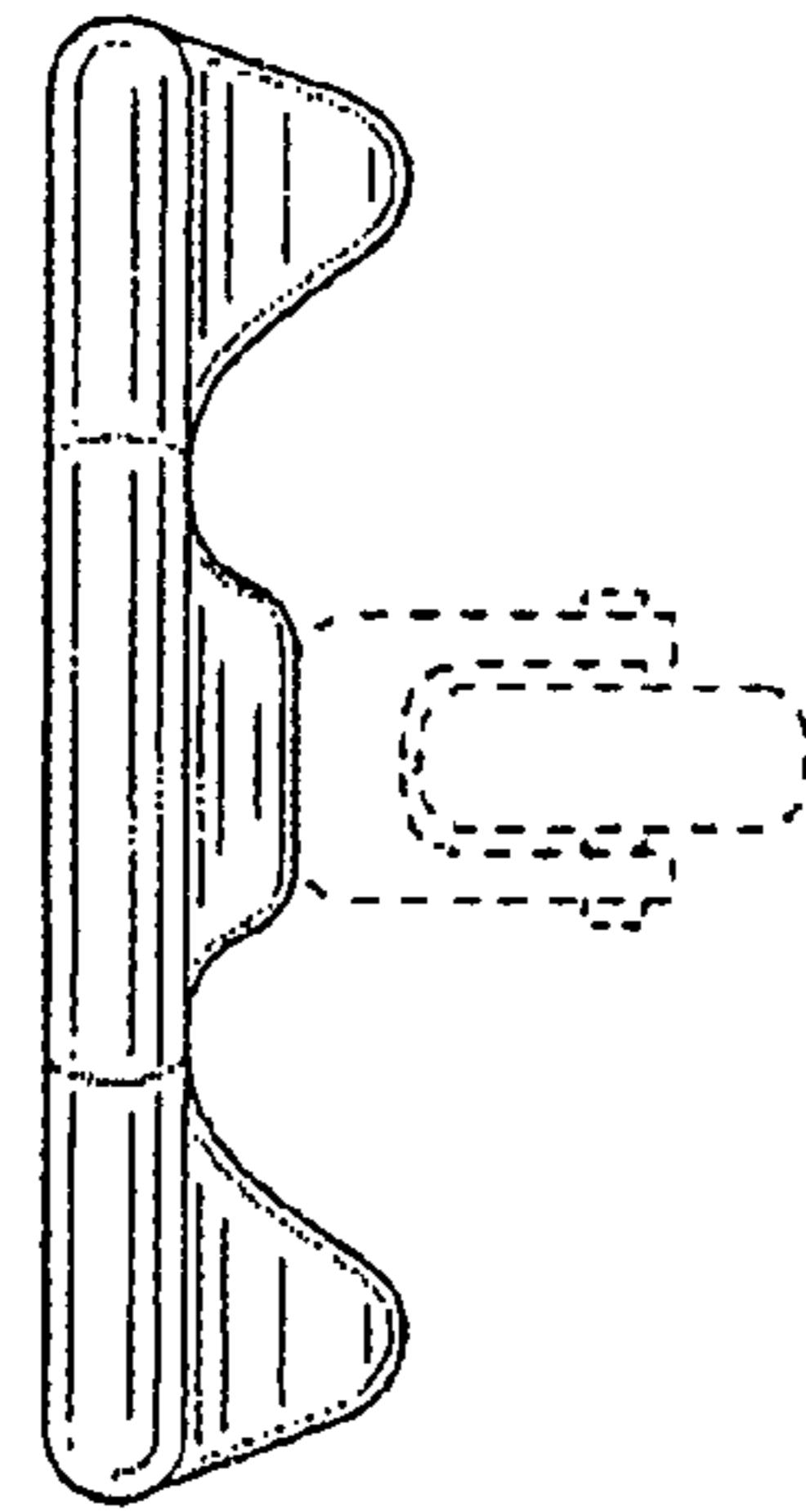


FIG. 3