



US00D552196S

(12) **United States Design Patent**  
**Hueber**

(10) **Patent No.:** **US D552,196 S**

(45) **Date of Patent:** **\*\* Oct. 2, 2007**

(54) **GOLF PUTTER HEAD**

D531,241 S \* 10/2006 Hueber ..... D21/742  
D535,712 S \* 1/2007 Toroussian ..... D21/749

(76) **Inventor:** **David B. Hueber**, 123 Nandina Cir.,  
Ponte Vedra Beach, FL (US) 32082

\* cited by examiner

(\*\*) **Term:** **14 Years**

*Primary Examiner*—Mitchell Siegel  
(74) *Attorney, Agent, or Firm*—Thomas C. Saitta

(21) **Appl. No.:** **29/262,647**

(22) **Filed:** **Jul. 7, 2006**

(57) **CLAIM**

The ornamental design for a golf putter head, as shown.

(51) **LOC (8) Cl.** ..... **21-02**

(52) **U.S. Cl.** ..... **D21/742**

(58) **Field of Classification Search** ..... D21/736–746;  
473/324–331, 340–341, 251–256

See application file for complete search history.

**DESCRIPTION**

FIG. 1 is a perspective view of the invention.

FIG. 2 is a rear view.

FIG. 3 is a front view.

FIG. 4 is a left side view.

FIG. 5 is a right side view.

FIG. 6 is a top view; and,

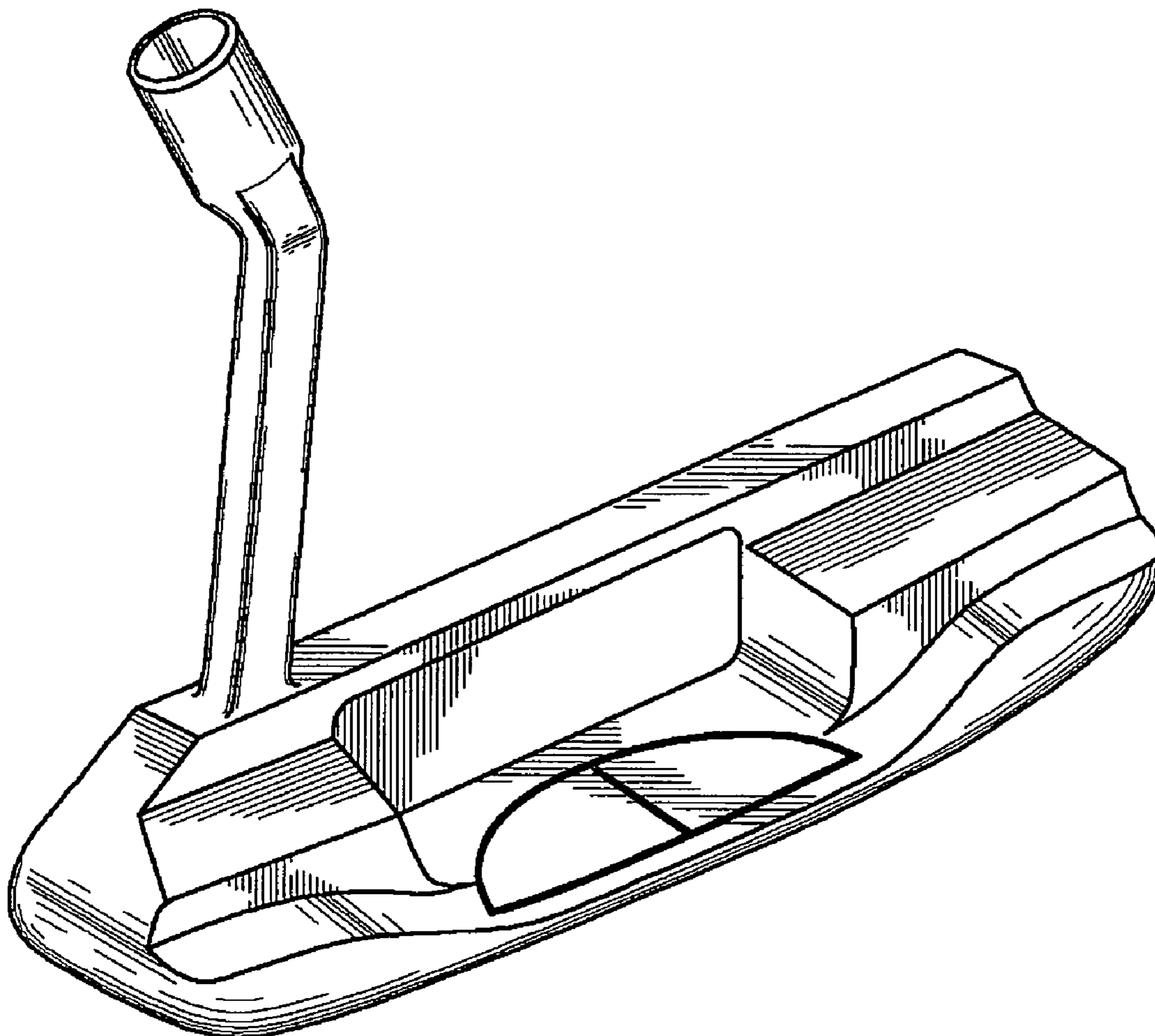
FIG. 7 is a bottom view.

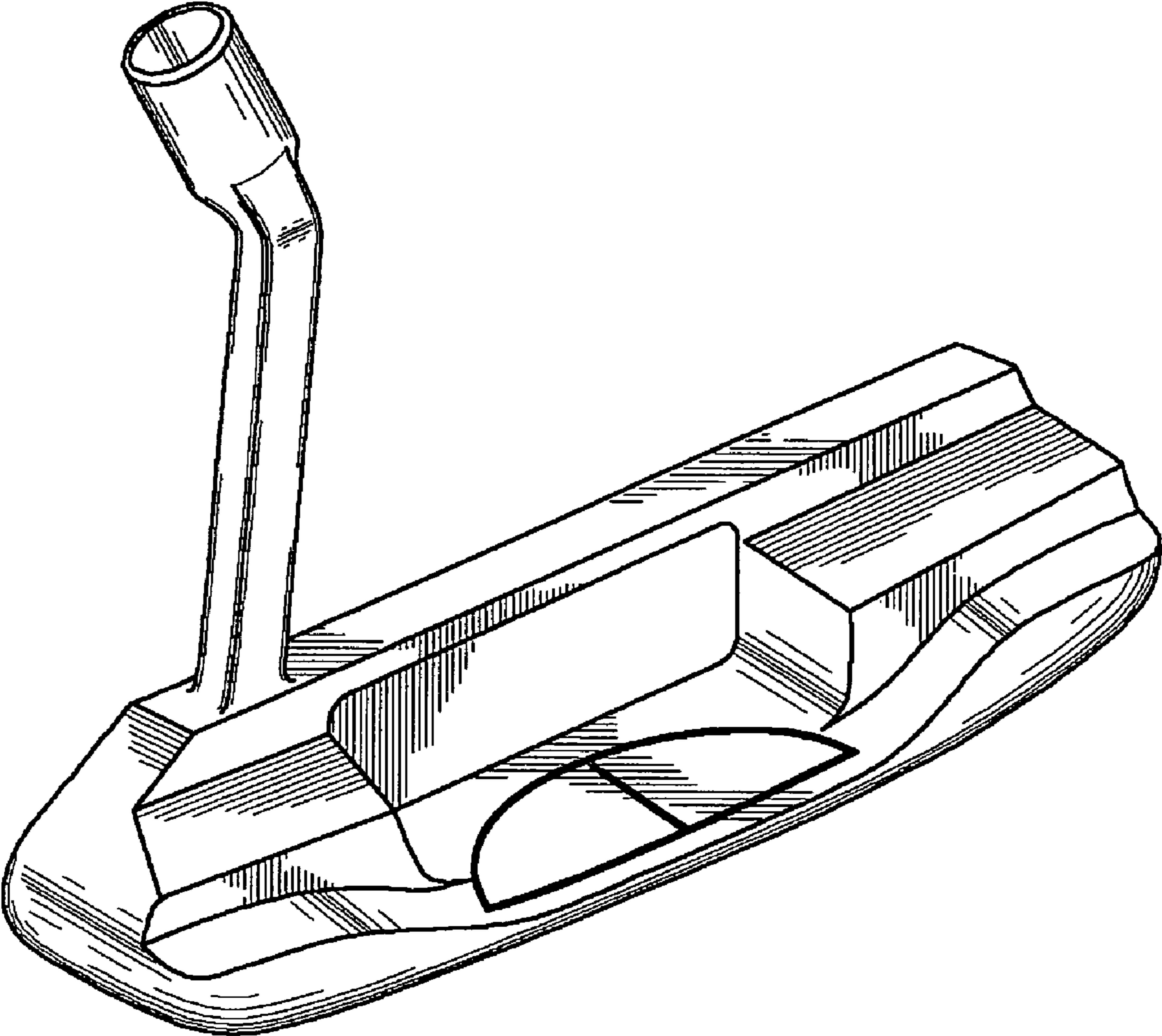
(56) **References Cited**

**U.S. PATENT DOCUMENTS**

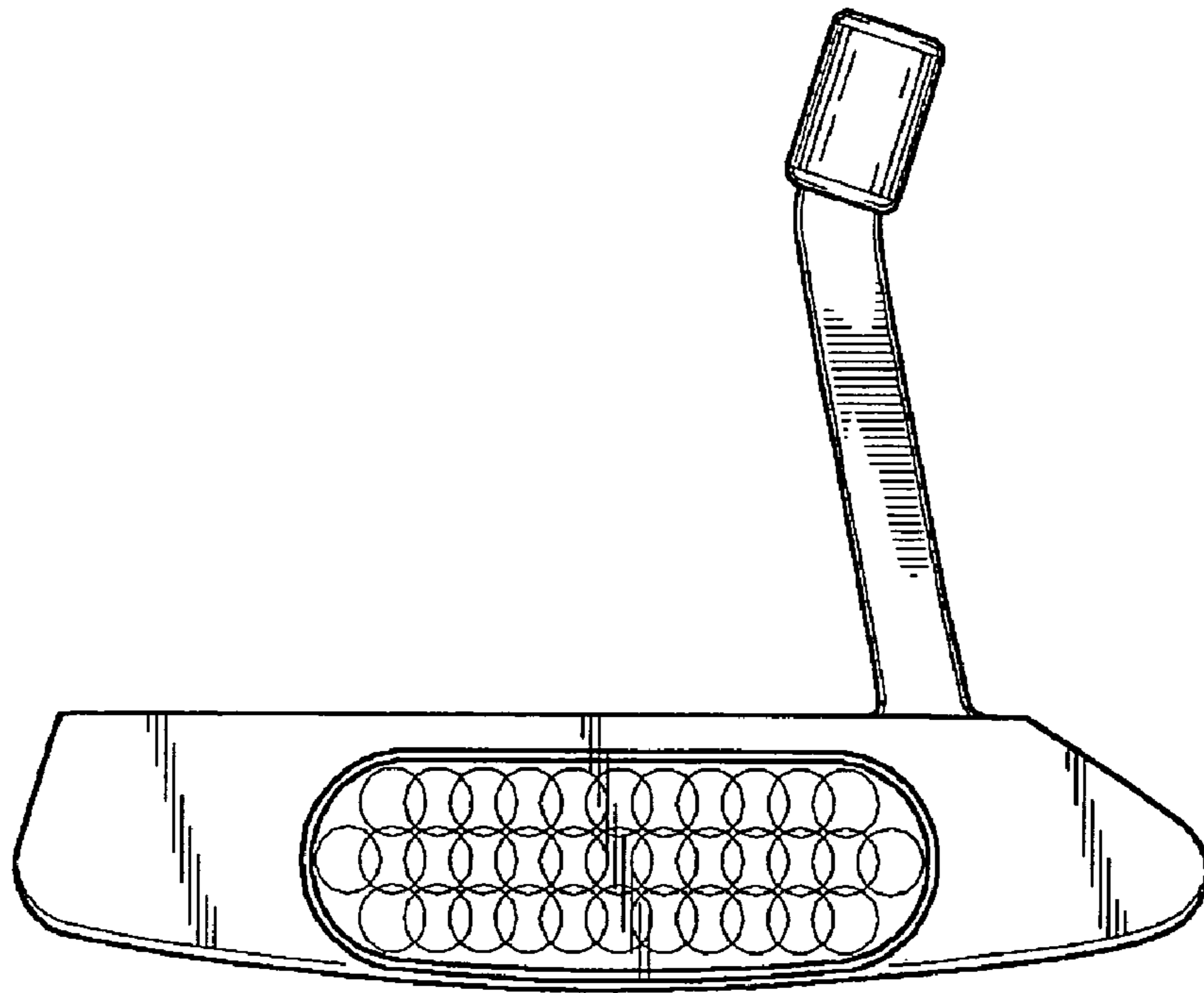
- D207,227 S \* 3/1967 Solheim ..... D21/739
- D389,207 S \* 1/1998 Cameron ..... D21/742
- D443,906 S \* 6/2001 Hettinger et al. .... D21/743
- D449,085 S \* 10/2001 Breier et al. .... D21/744
- D529,110 S \* 9/2006 Hueber ..... D21/746

**1 Claim, 4 Drawing Sheets**

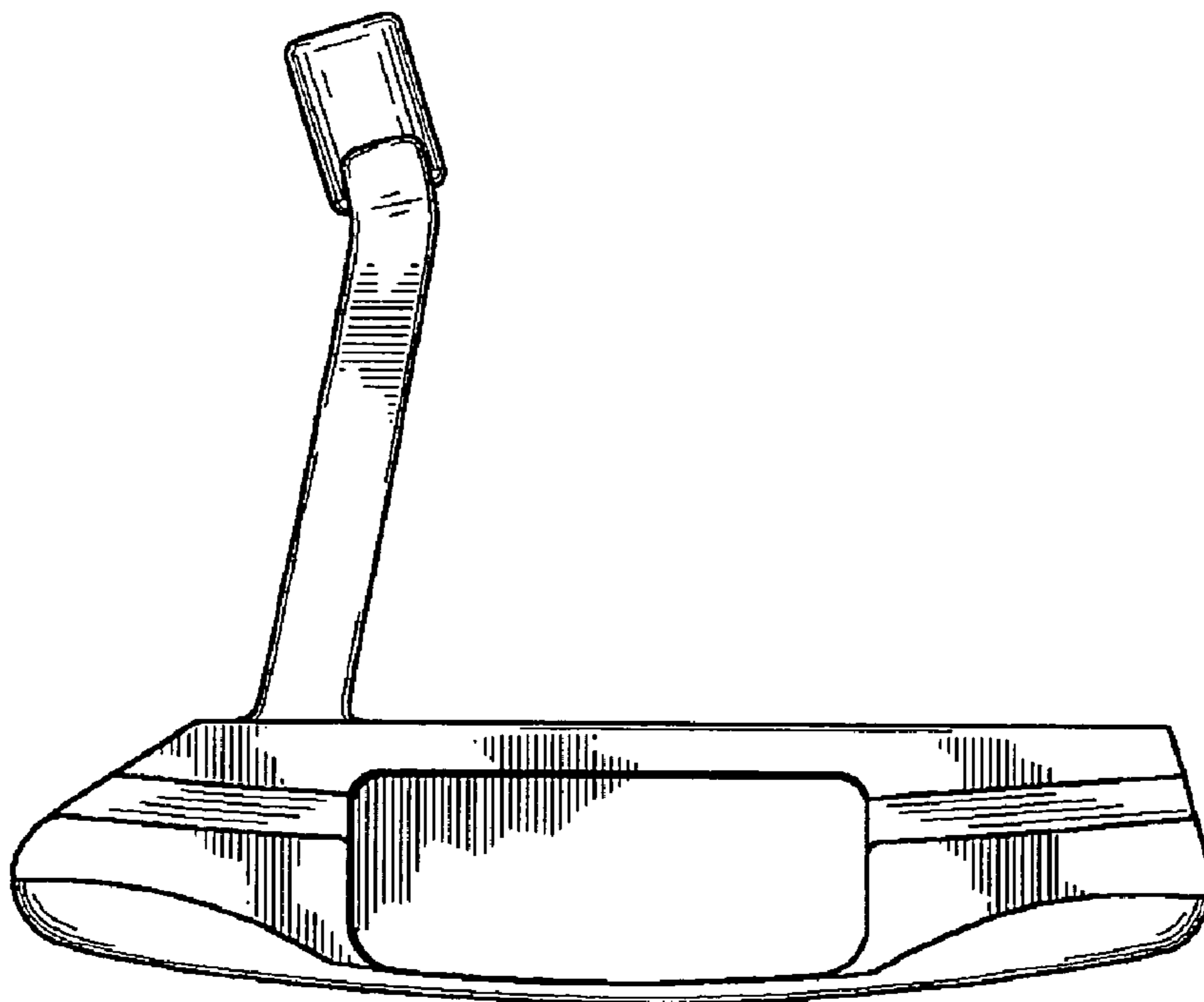




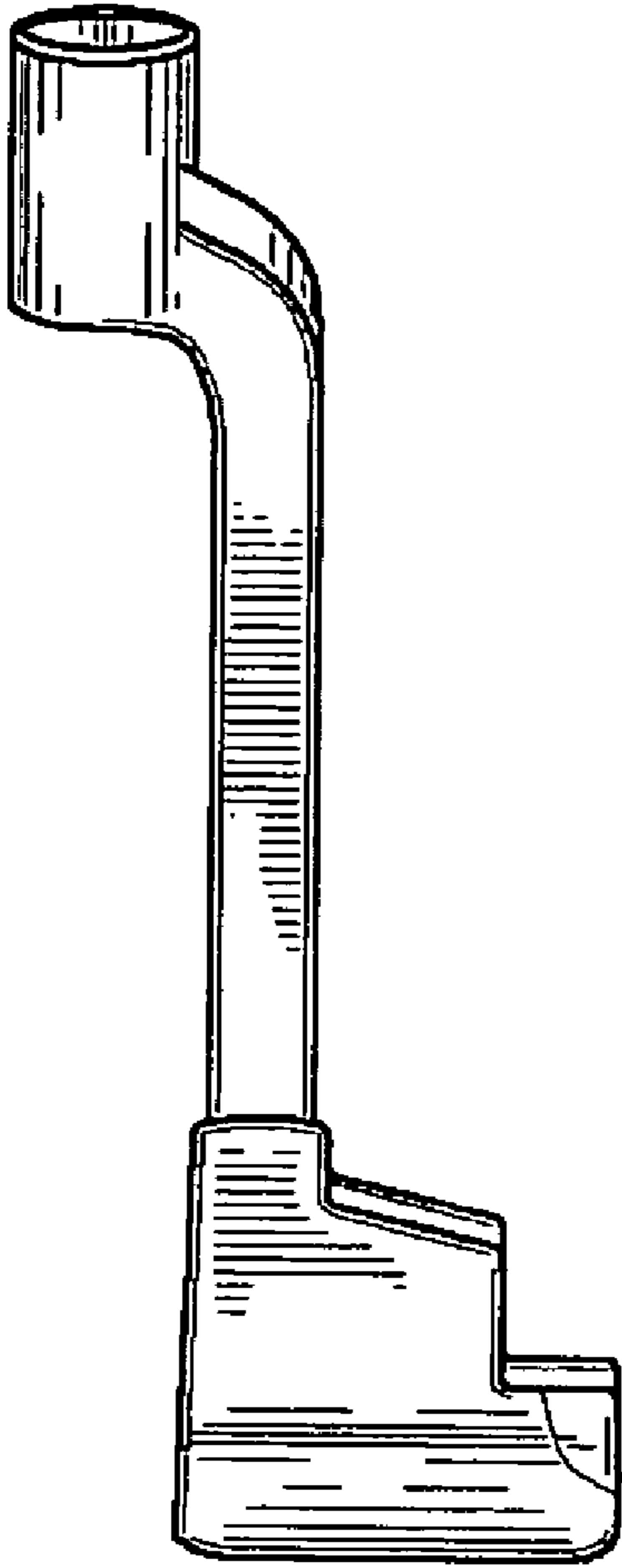
*Fig. 1*



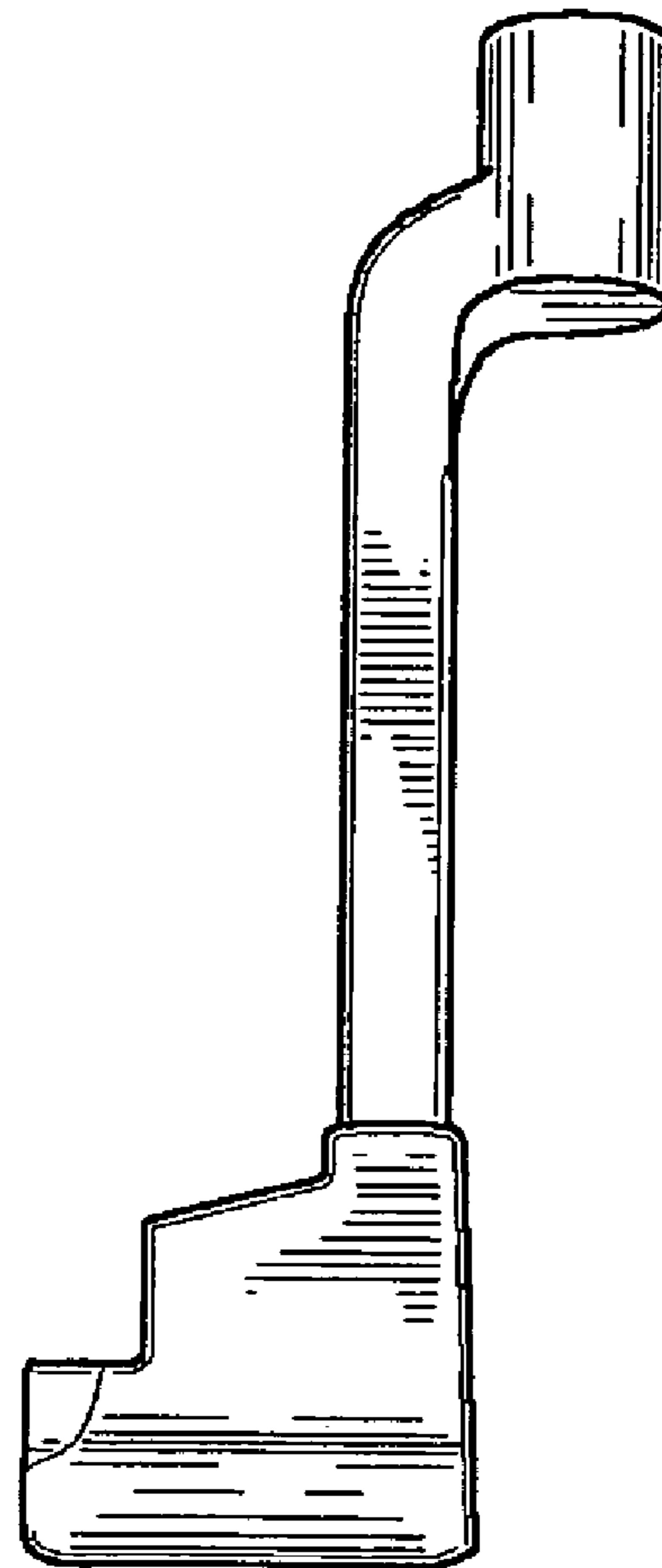
*Fig. 2*



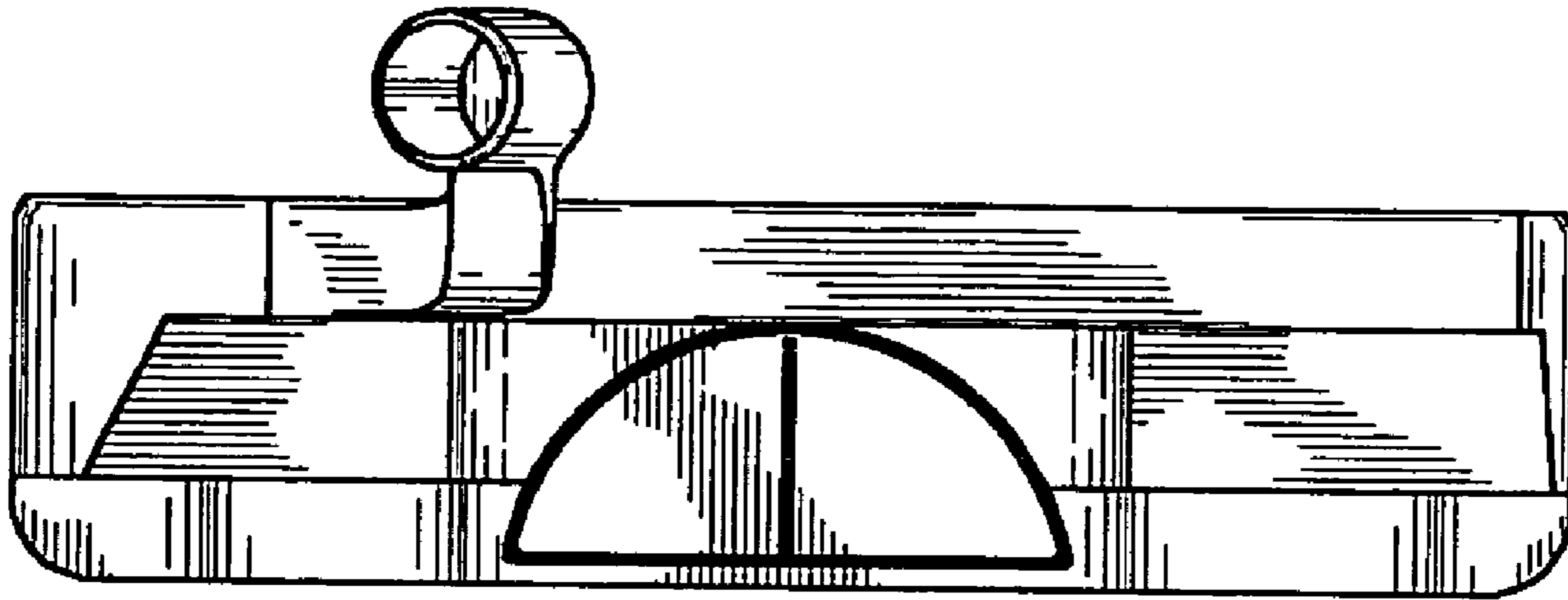
*Fig. 3*



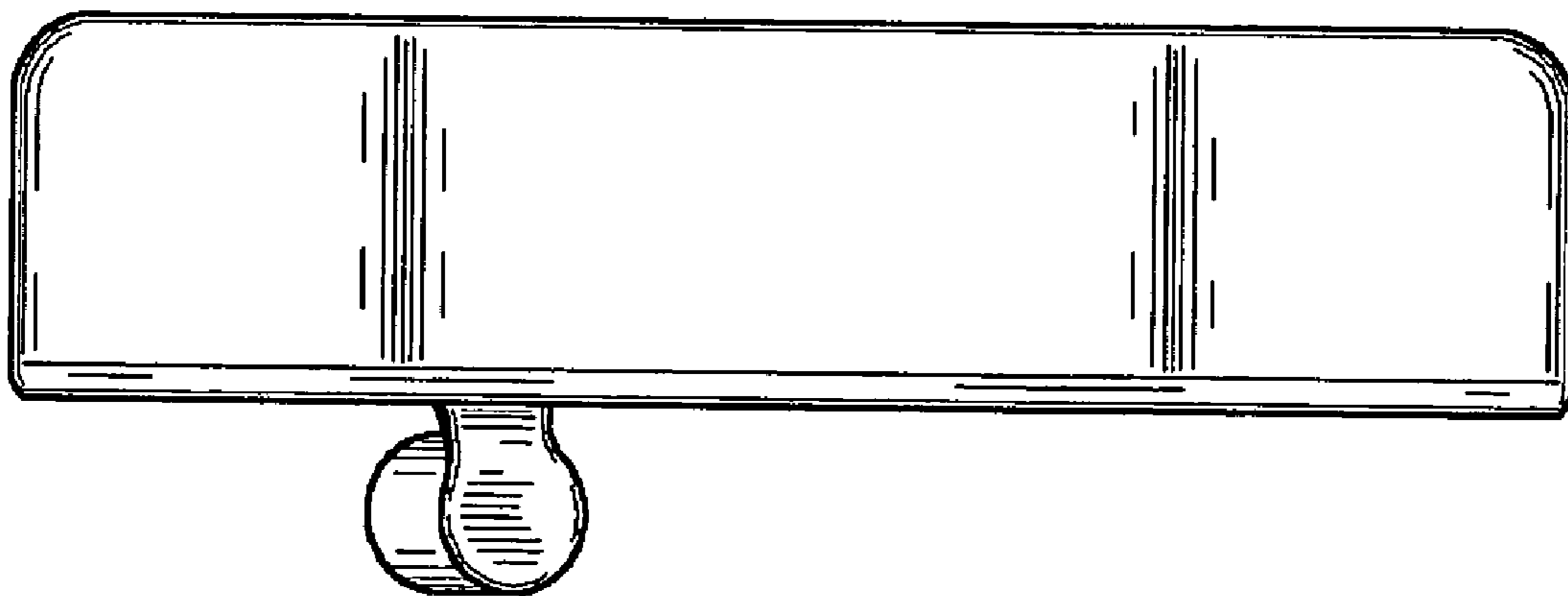
*Fig. 4*



*Fig. 5*



*Fig. 6*



*Fig. 7*