



US00D552193S

(12) **United States Design Patent**
Husted et al.

(10) **Patent No.:** **US D552,193 S**

(45) **Date of Patent:** **** Oct. 2, 2007**

(54) **EXERCISE DEVICE**

(76) Inventors: **Royce H. Husted**, 1295 Old Elkton Dr., Forest, VA (US) 24551; **Joel P. Husted**, 1455 Old Elkton Dr., Forest, VA (US) 24551; **Michael Clark**, 2275 Thoroughbred Dr., Wadsworth, OH (US) 44281

6,015,369	A *	1/2000	Rasmussen	482/96
6,152,866	A *	11/2000	Kuo	482/142
D474,516	S *	5/2003	Kuo	D21/676
6,585,626	B2 *	7/2003	McBride	482/130
6,595,905	B2 *	7/2003	McBride	482/130
6,599,223	B2 *	7/2003	Wang et al.	482/138
D512,113	S *	11/2005	Carter	D21/676
7,048,677	B2 *	5/2006	Mackert et al.	482/102

(**) **Term:** **14 Years**

(21) **Appl. No.:** **29/245,177**

(22) **Filed:** **Dec. 20, 2005**

(51) **LOC (8) Cl.** **21-02**

(52) **U.S. Cl.** **D21/676**

(58) **Field of Classification Search** D21/662,
D21/674, 675, 676, 686, 690, 691; 482/95,
482/96, 97, 98, 129, 130, 133, 137, 138,
482/104, 127, 128

See application file for complete search history.

(56) **References Cited**

U.S. PATENT DOCUMENTS

5,232,426	A *	8/1993	Van Straaten	482/123
5,330,405	A *	7/1994	Habing et al.	482/96
5,387,171	A *	2/1995	Casey et al.	482/130
5,549,529	A *	8/1996	Rasmussen	482/96
D384,117	S *	9/1997	Piaget et al.	D21/676
5,674,167	A *	10/1997	Piaget et al.	482/130

* cited by examiner

Primary Examiner—Philip S. Hyder

(74) *Attorney, Agent, or Firm*—Nicholas A Camasto

(57) **CLAIM**

We claim the ornamental design for an exercise device, as shown.

DESCRIPTION

FIG. 1 is a top, front and left side perspective view of an exercise device showing our new design;

FIG. 2 is a top plan view thereof;

FIG. 3 is a left side elevational view thereof;

FIG. 4 is a front elevational view thereof; and,

FIG. 5 is a rear elevational view thereof.

The right side is a mirror image of the left side. The bottom is free of ornamentation.

1 Claim, 5 Drawing Sheets

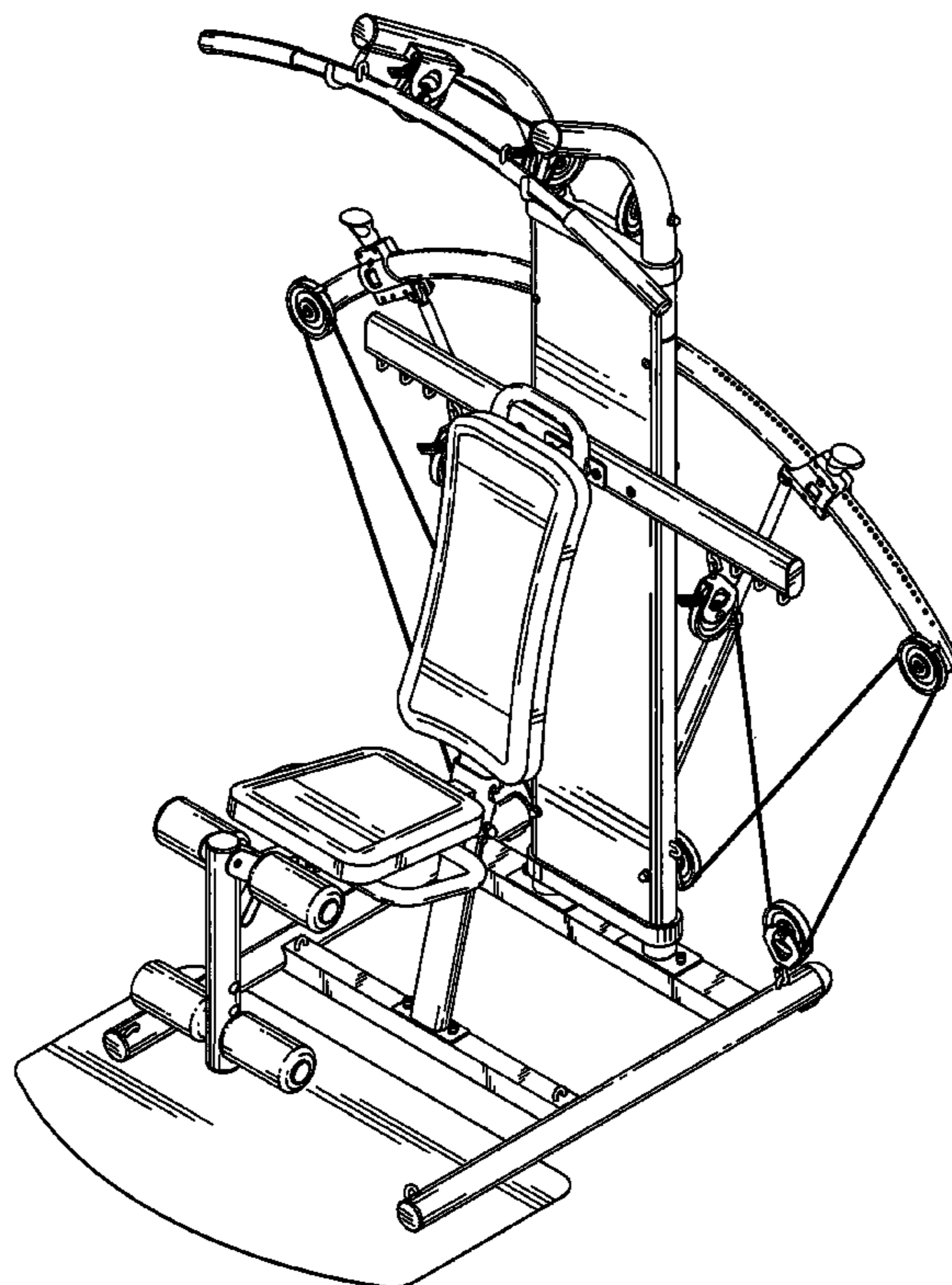


Fig. 1

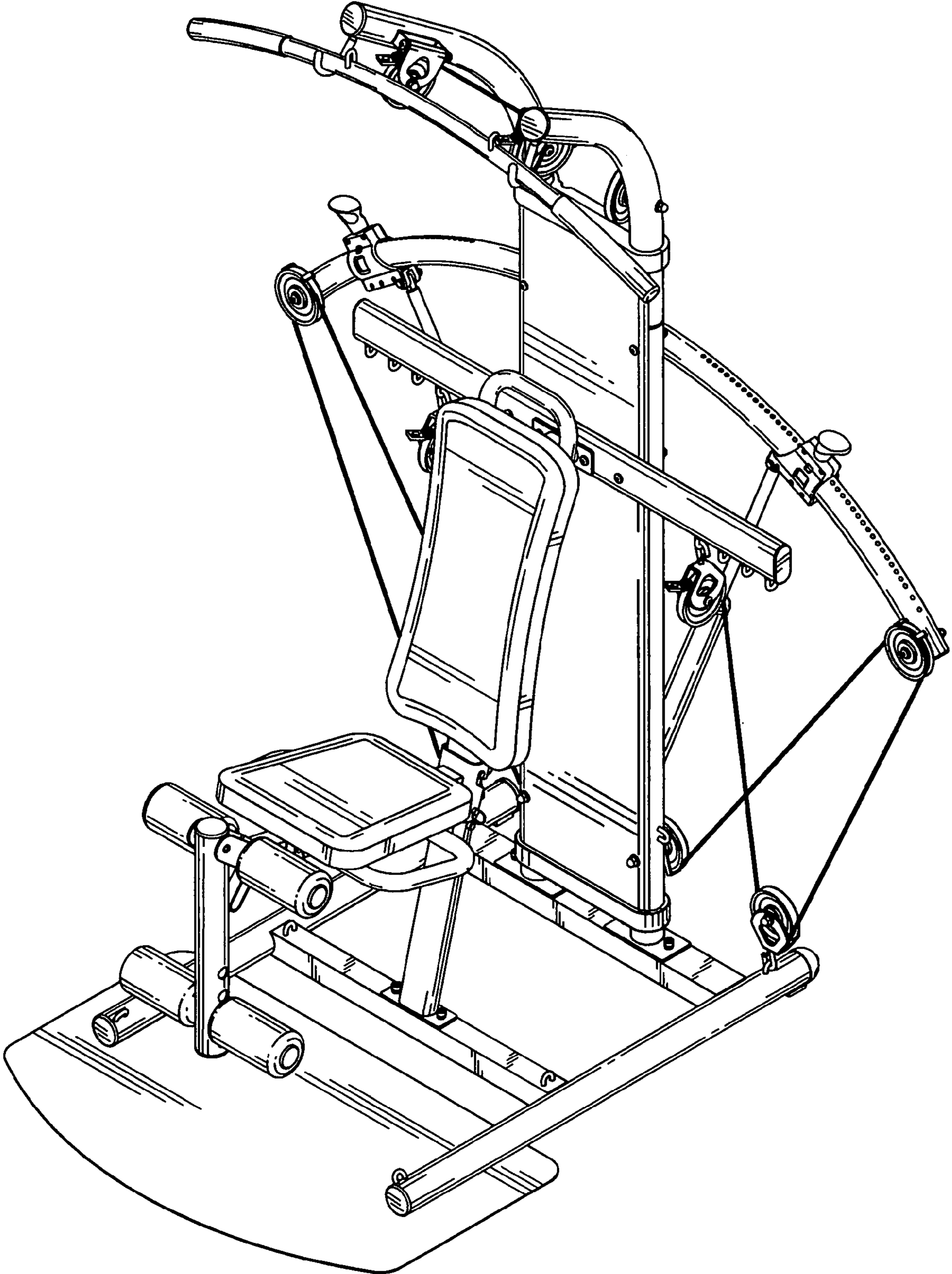


Fig. 2

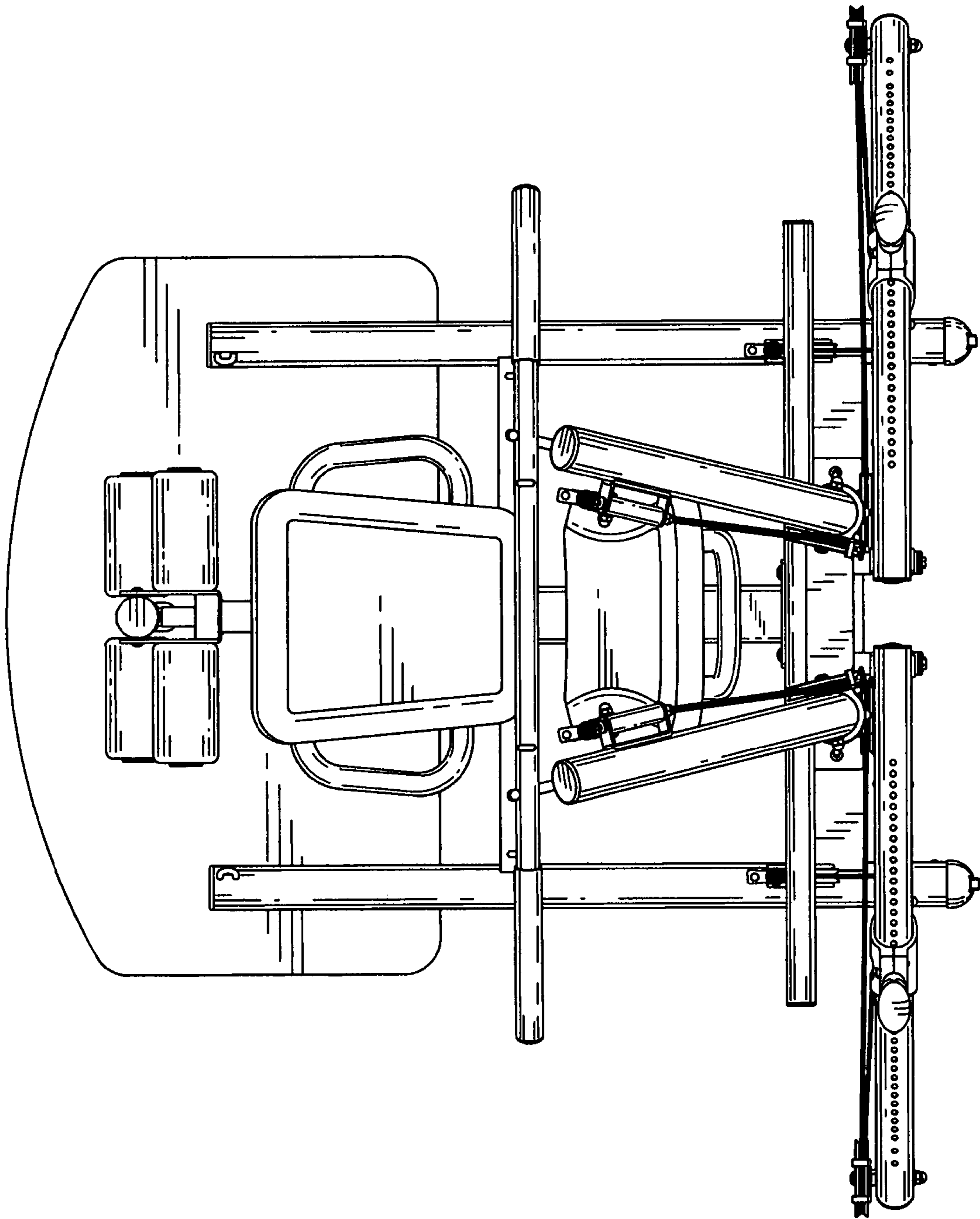


Fig. 3

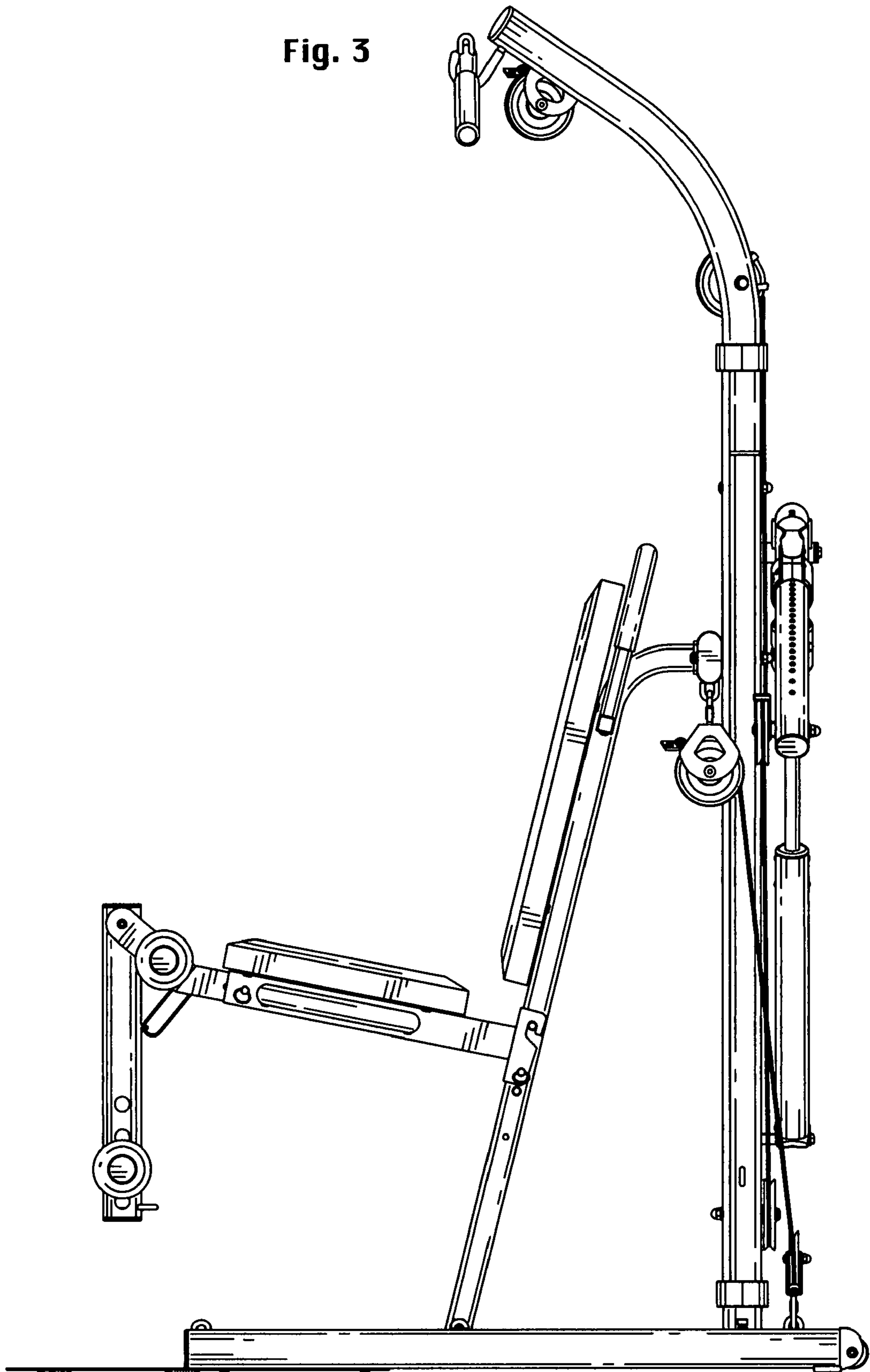


Fig. 4

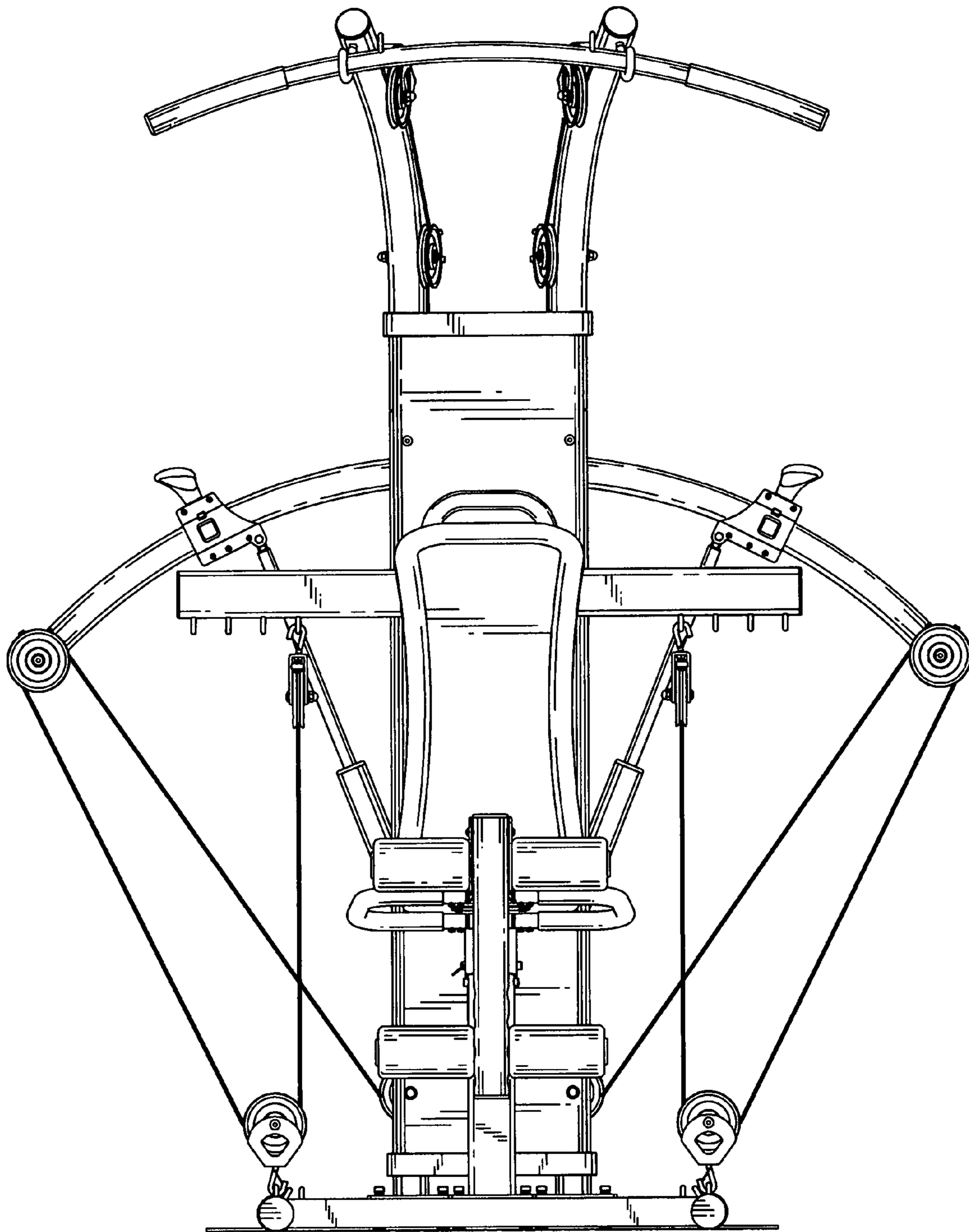


Fig. 5

