



US00D552187S

(12) **United States Design Patent**
Hong

(10) **Patent No.:** **US D552,187 S**

(45) **Date of Patent:** **** Oct. 2, 2007**

(54) **SCOOTER WITH POLICE CAR SHAPE**

(76) Inventor: **Jae Hyun Hong**, 14065 Stage Rd.,
Bloomfield Commerce Center, Sante Fe
Springs, CA (US) 90670

(**) Term: **14 Years**

(21) Appl. No.: **29/261,047**

(22) Filed: **Jun. 6, 2006**

(51) **LOC (8) Cl.** **21-01**

(52) **U.S. Cl.** **D21/423**

(58) **Field of Classification Search** D21/419,
D21/421, 423, 424, 426, 433, 435, 533, 538,
D21/760, 765, 771; D12/107, 111-113, 114,
D12/117, 118-121; 280/87.021, 87.041,
280/263, 282, 288.1-288.4; 180/180, 181
See application file for complete search history.

(56) **References Cited**

U.S. PATENT DOCUMENTS

D259,730 S *	6/1981	Arad et al.	D21/434
D264,105 S *	4/1982	Dinnocente	D21/423
D337,622 S *	7/1993	Schiffman	D21/423
D390,281 S *	2/1998	O'Rourke	D21/423
D417,472 S *	12/1999	Caban	D21/423
D442,646 S *	5/2001	Jetter	D21/423

D446,258 S *	8/2001	Wang	D21/423
D453,803 S *	2/2002	Yann et al.	D21/423
D456,460 S *	4/2002	Tseng	D21/423
2002/0000702 A1 *	1/2002	Charron	280/87.021
2006/0001227 A1 *	1/2006	Hong	280/87.041
2006/0066066 A1 *	3/2006	Lim	280/87.041

* cited by examiner

Primary Examiner—Holly H. Baynham

Assistant Examiner—Cynthia M. Chin

(74) *Attorney, Agent, or Firm*—John K. Park; Park Law Firm

(57) **CLAIM**

The ornamental design for a scooter with police car shape, as shown and described.

DESCRIPTION

FIG. 1 is a perspective view of a scooter with police car shape showing my new design;

FIG. 2 is a front elevation view thereof;

FIG. 3 is a rear elevation view thereof;

FIG. 4 is a side elevation view thereof;

FIG. 5 is a top plan view thereof; and,

FIG. 6 is a bottom plan view thereof.

1 Claim, 6 Drawing Sheets

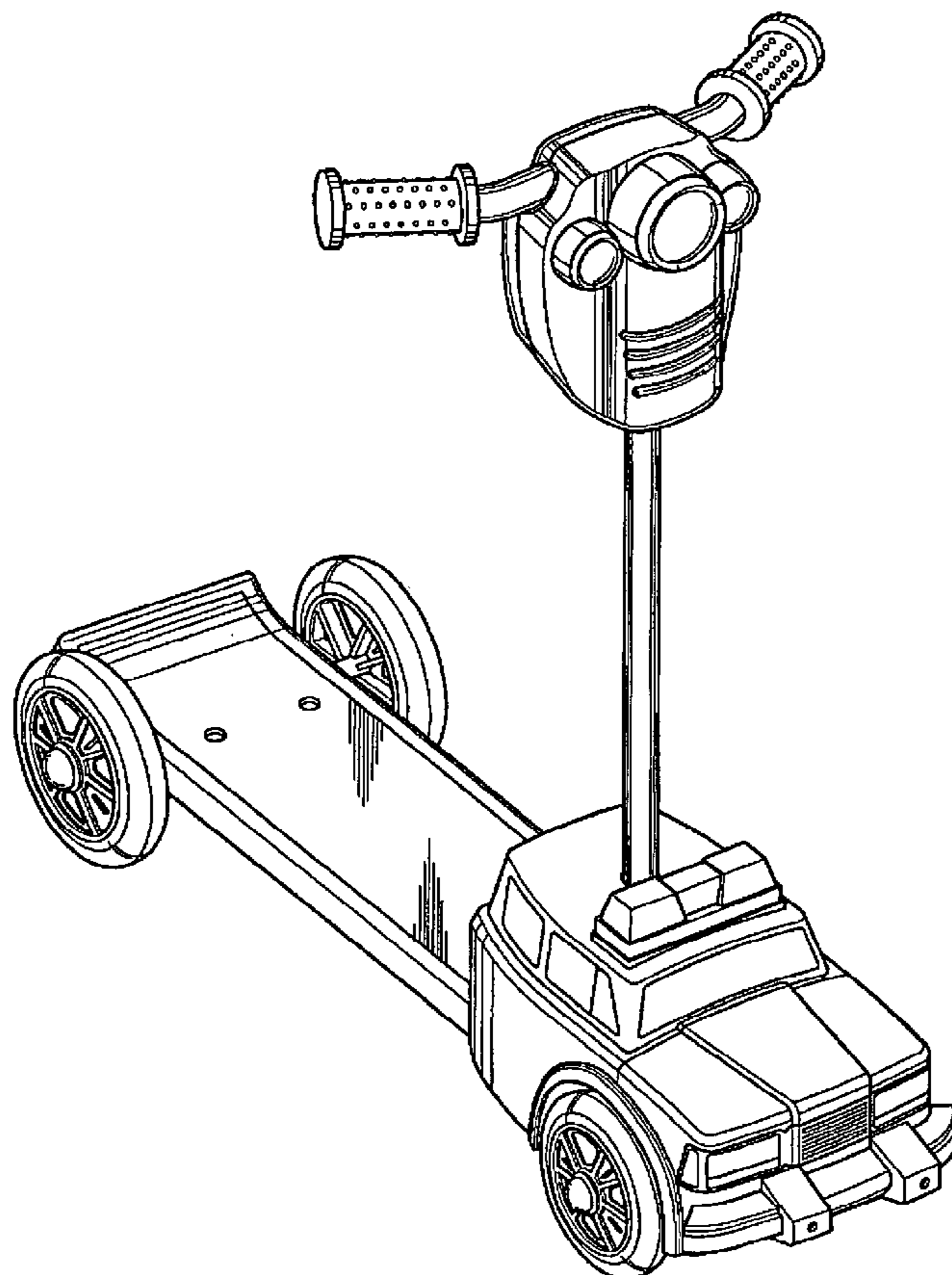


FIG. 1

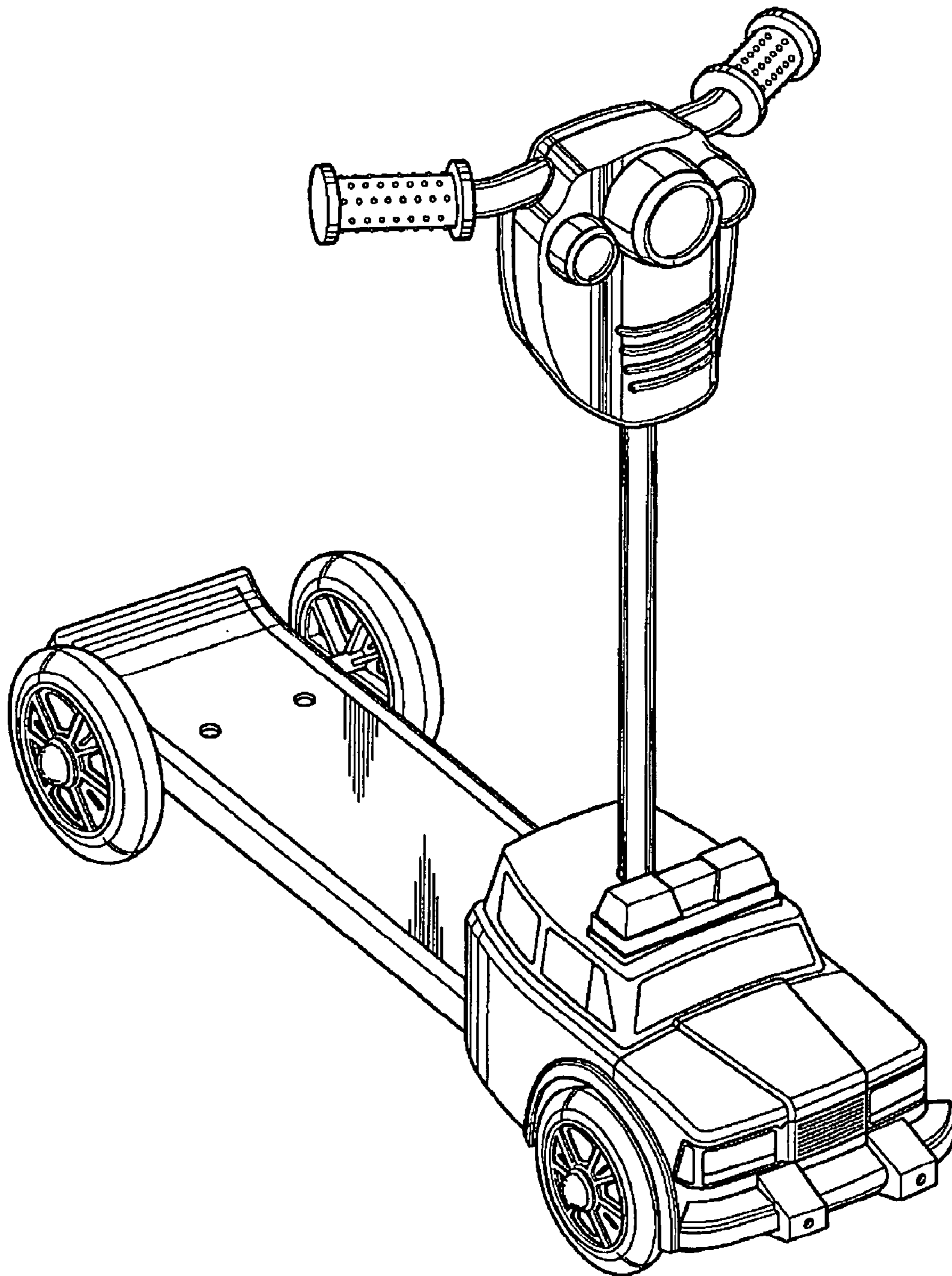


FIG. 2

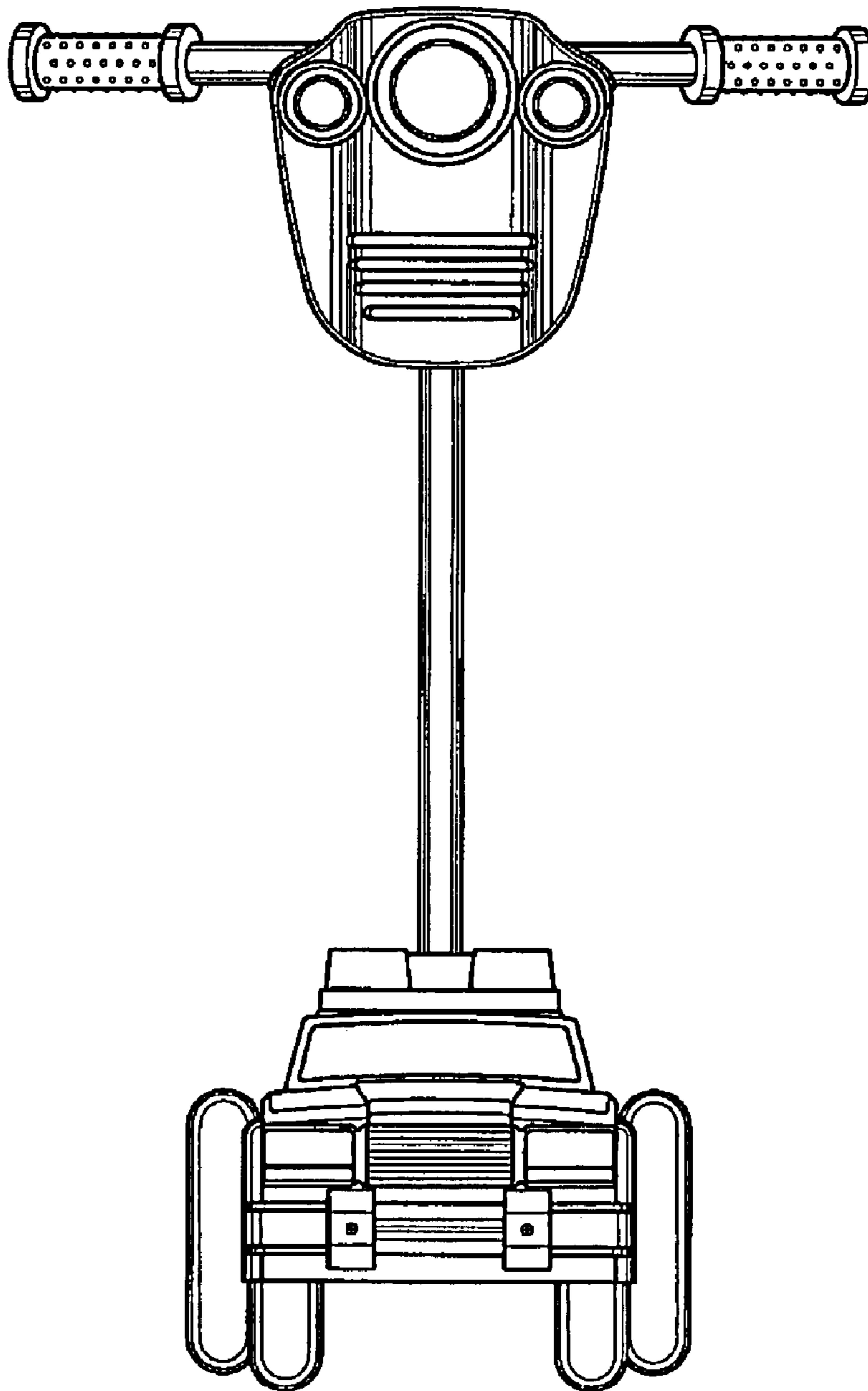


FIG. 3

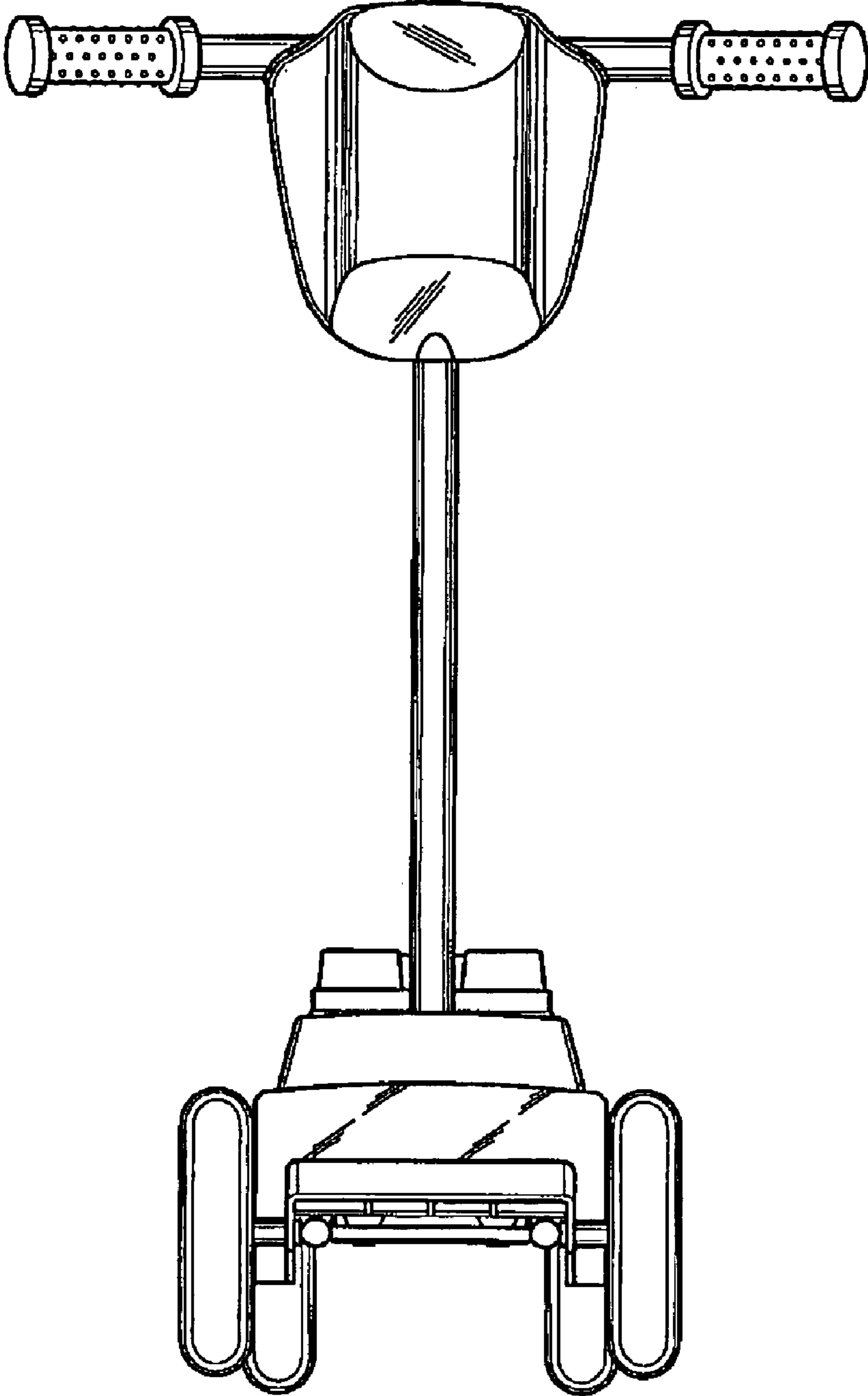


FIG. 4

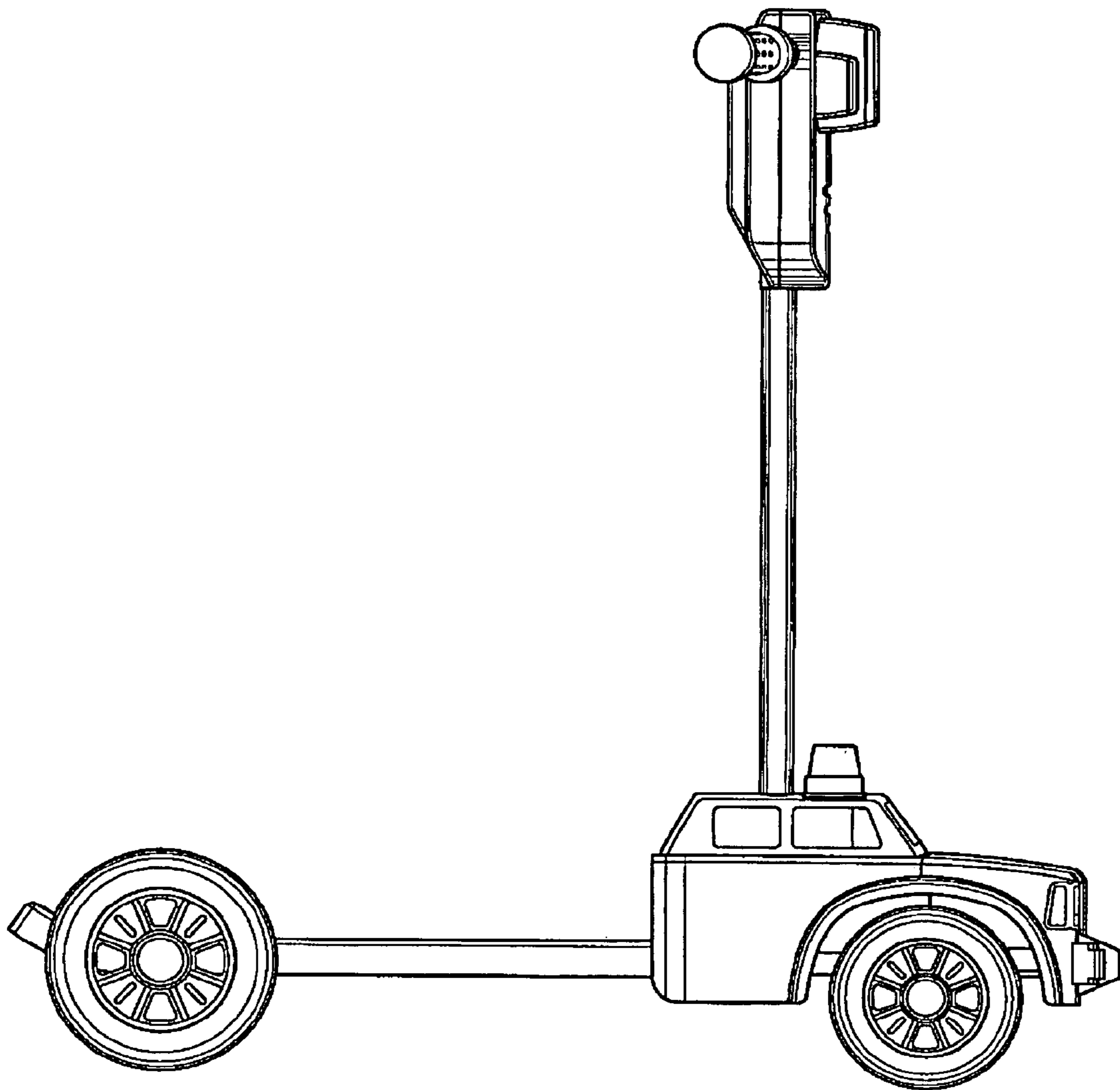


FIG. 5

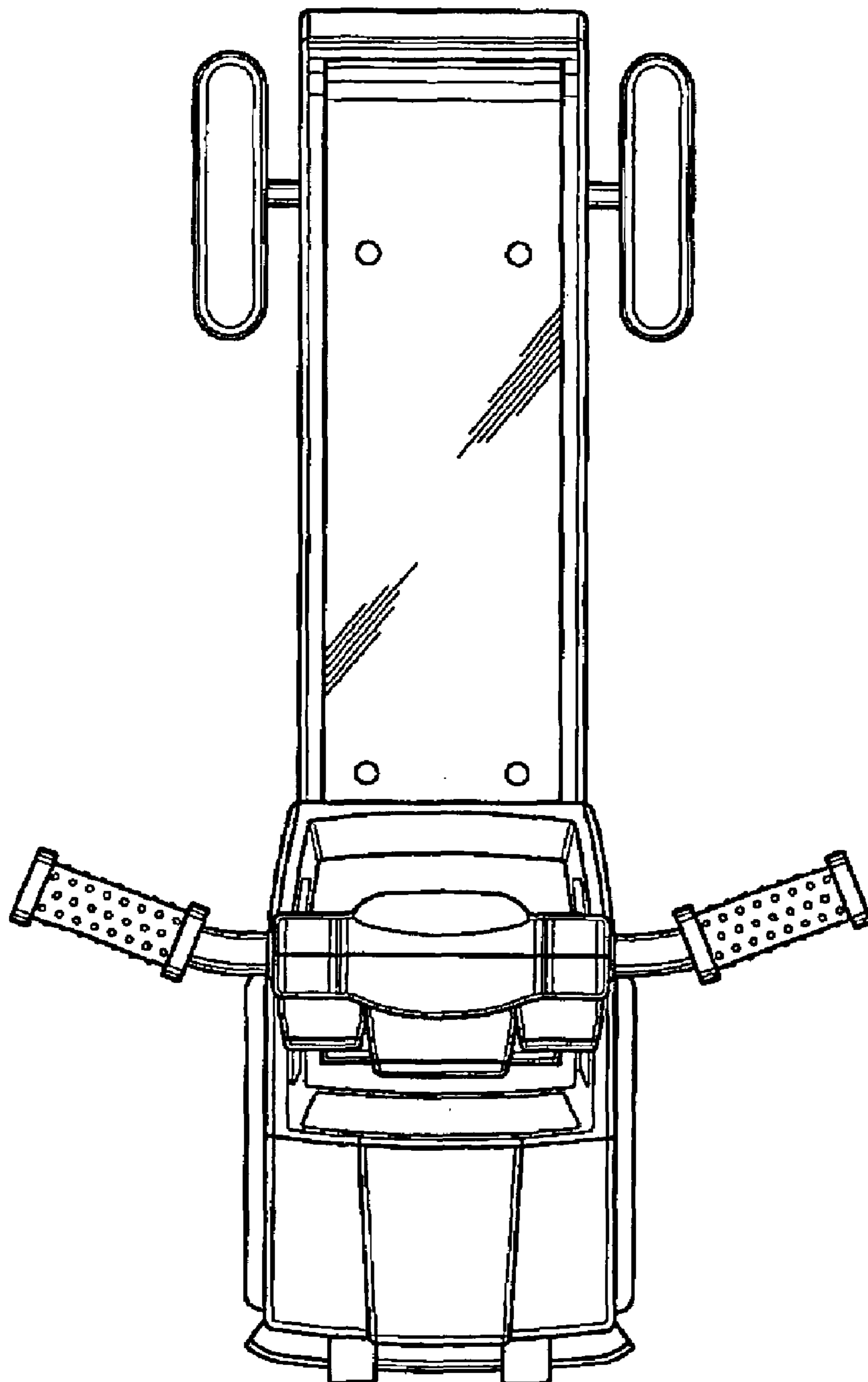


FIG. 6

