



US00D552185S

(12) **United States Design Patent**
Hussaini et al.

(10) **Patent No.: US D552,185 S**

(45) **Date of Patent: ** Oct. 2, 2007**

(54) **DOCKING STATION FOR HANDHELD VIDEO GAMING DEVICE**

(75) Inventors: **Saied Hussaini**, Miami, FL (US); **Marc Iacovelli**, Miami, FL (US)

(73) Assignee: **Intec, Inc.**, Miami Gardens, FL (US)

(**) Term: **14 Years**

(21) Appl. No.: **29/265,470**

(22) Filed: **Sep. 1, 2006**

(51) **LOC (8) Cl.** **21-01**

(52) **U.S. Cl.** **D21/333; D21/385; D14/434**

(58) **Field of Classification Search** D21/324-333, D21/369, 385; D14/432-434, 496, 217; 273/148 B; 463/1, 29-35, 46, 47, 16-22; 345/905, 156; 361/679-686

See application file for complete search history.

(56) **References Cited**

U.S. PATENT DOCUMENTS

D421,424 S * 3/2000 Lee et al. D14/434
6,241,247 B1 * 6/2001 Sternberg et al. 273/148 B
6,402,620 B1 * 6/2002 Naghi 463/47
6,422,944 B1 * 7/2002 Naghi 463/47
D462,398 S * 9/2002 Hussaini et al. D21/333
D465,532 S * 11/2002 Hussaini et al. D21/333

D466,511 S * 12/2002 Croley et al. D14/434
6,667,881 B2 * 12/2003 Oross et al. 361/686
D489,416 S * 5/2004 Chao D21/333
D494,634 S * 8/2004 Soga D21/333
D495,336 S * 8/2004 Andre et al. D14/434
D507,273 S * 7/2005 Ibuki D14/433
7,104,448 B2 * 9/2006 Capurso et al. 235/385

* cited by examiner

Primary Examiner—Prabhakar Deshmukh

(74) *Attorney, Agent, or Firm*—Berenato, White & Stavish

(57) **CLAIM**

The ornamental design for a docking station for handheld video gaming device, as shown and described.

DESCRIPTION

FIG. 1 is a perspective view of a docking station for handheld video game device showing our new design;

FIG. 2 is a front elevational view thereof;

FIG. 3 is a rear elevational view thereof;

FIG. 4 is a right side elevational view thereof;

FIG. 5 is a left side elevational view thereof;

FIG. 6 is top plan view thereof; and,

FIG. 7 is a bottom plan view thereof.

1 Claim, 4 Drawing Sheets

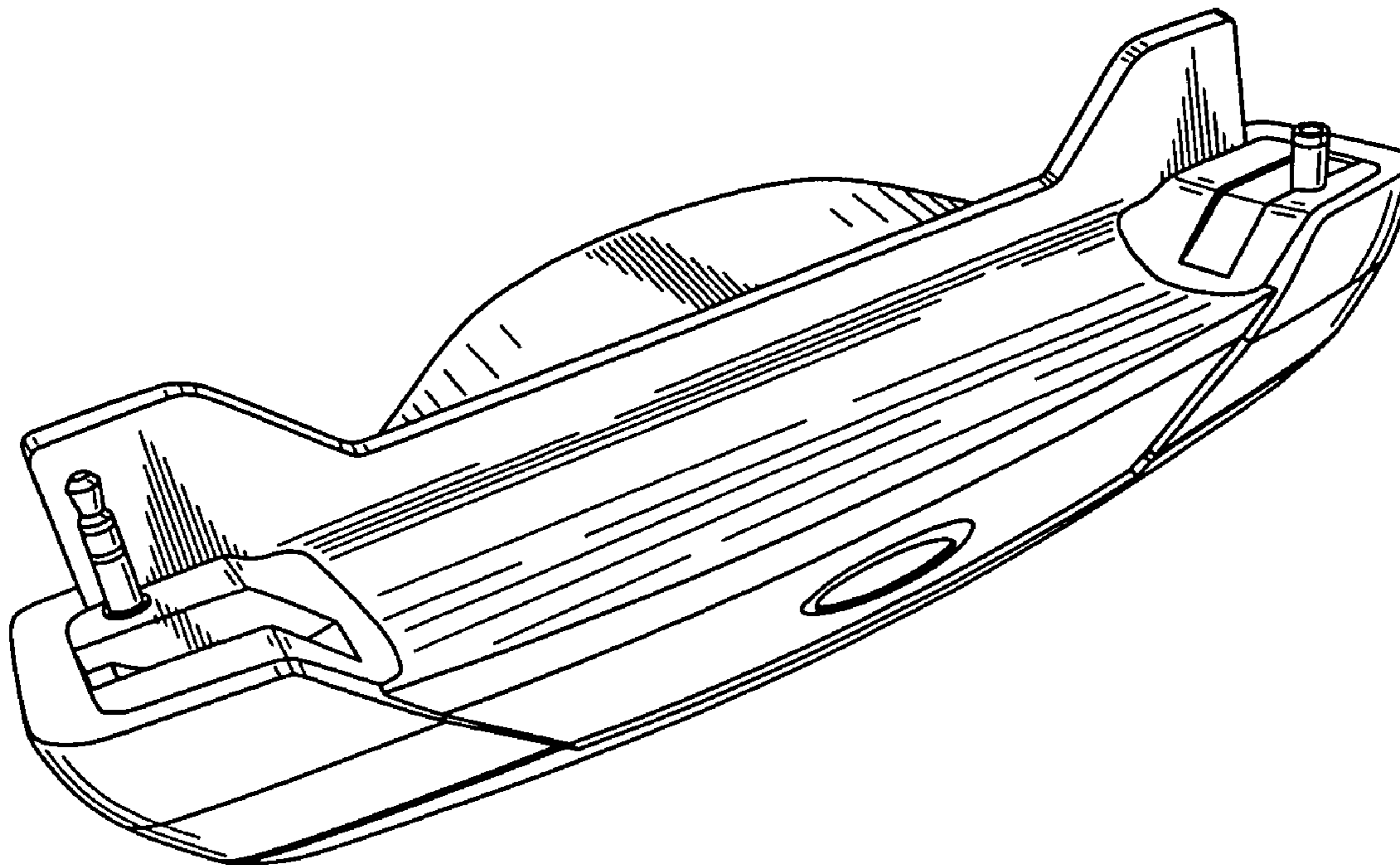


Fig. 1

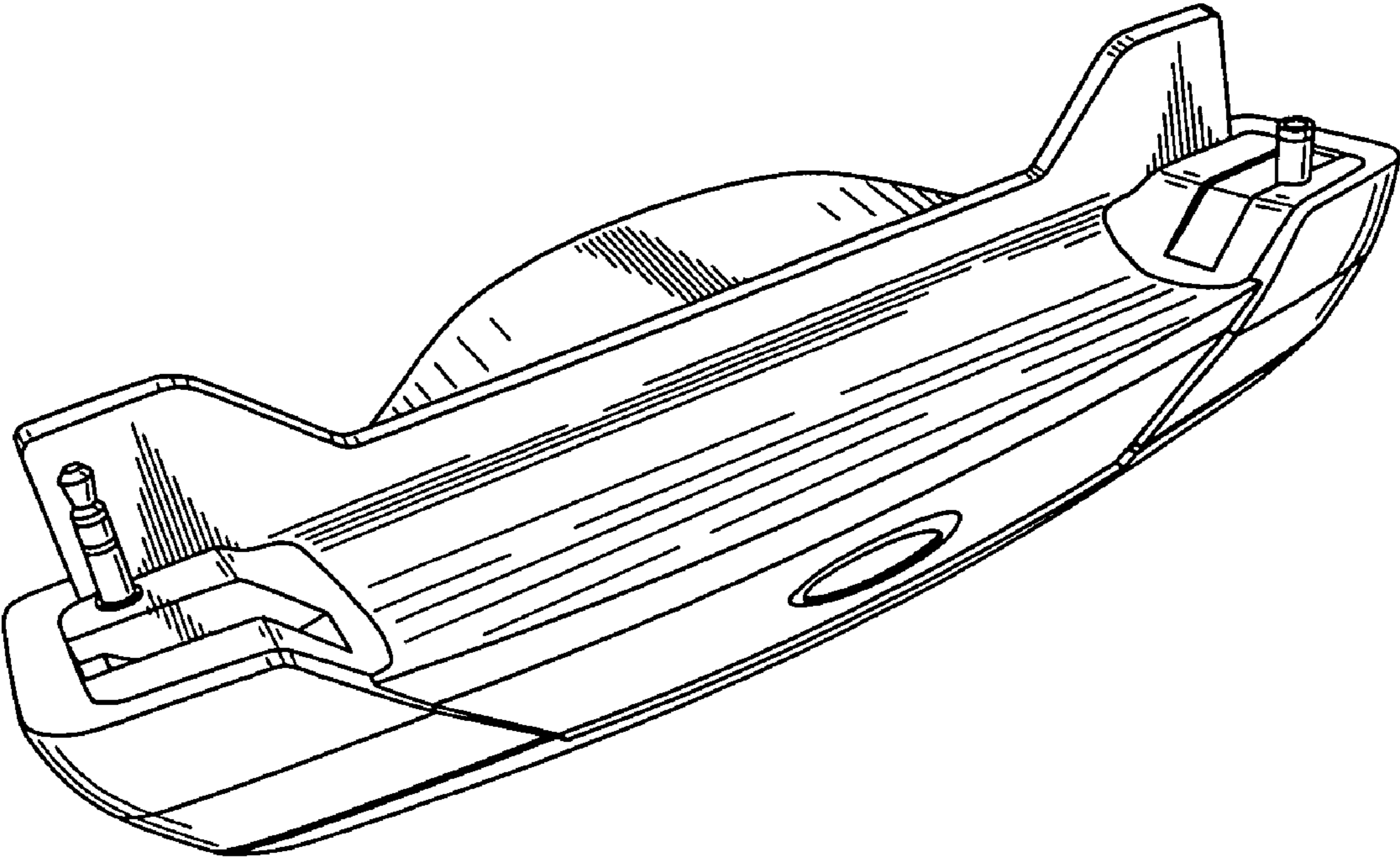


Fig. 2

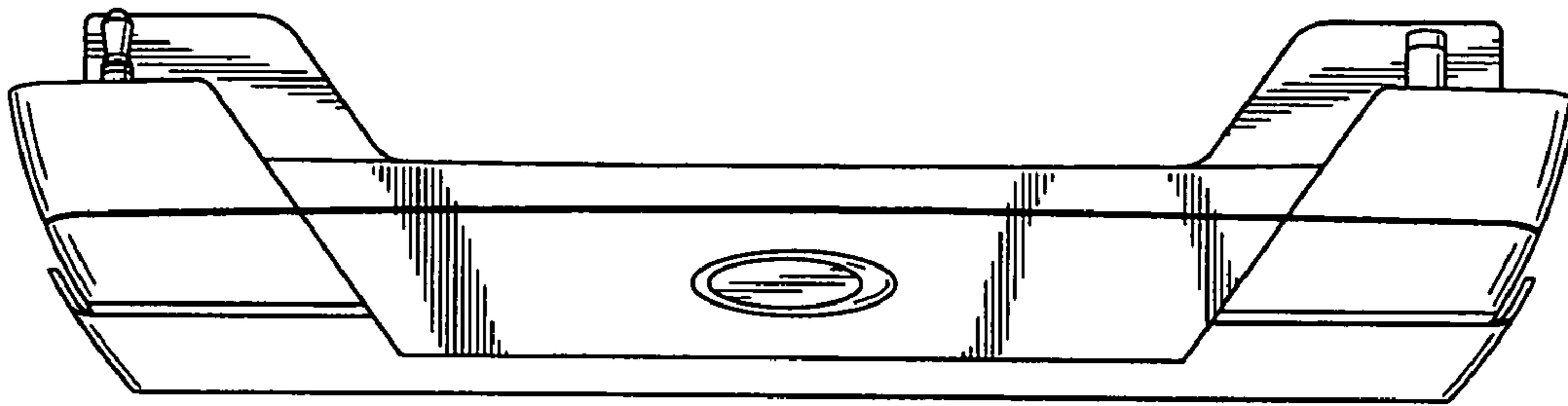


Fig. 3

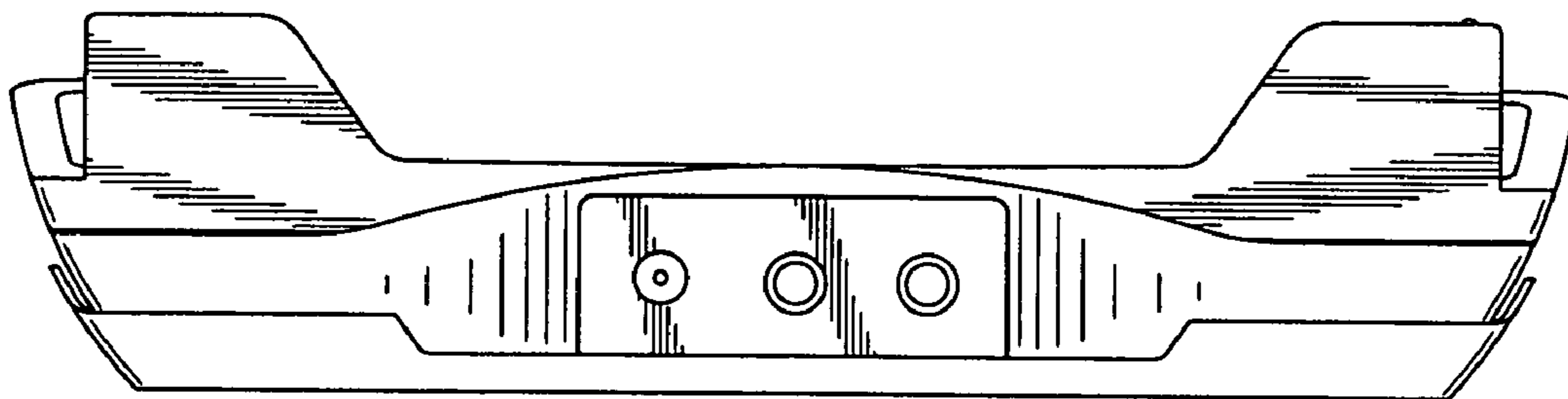


Fig. 4

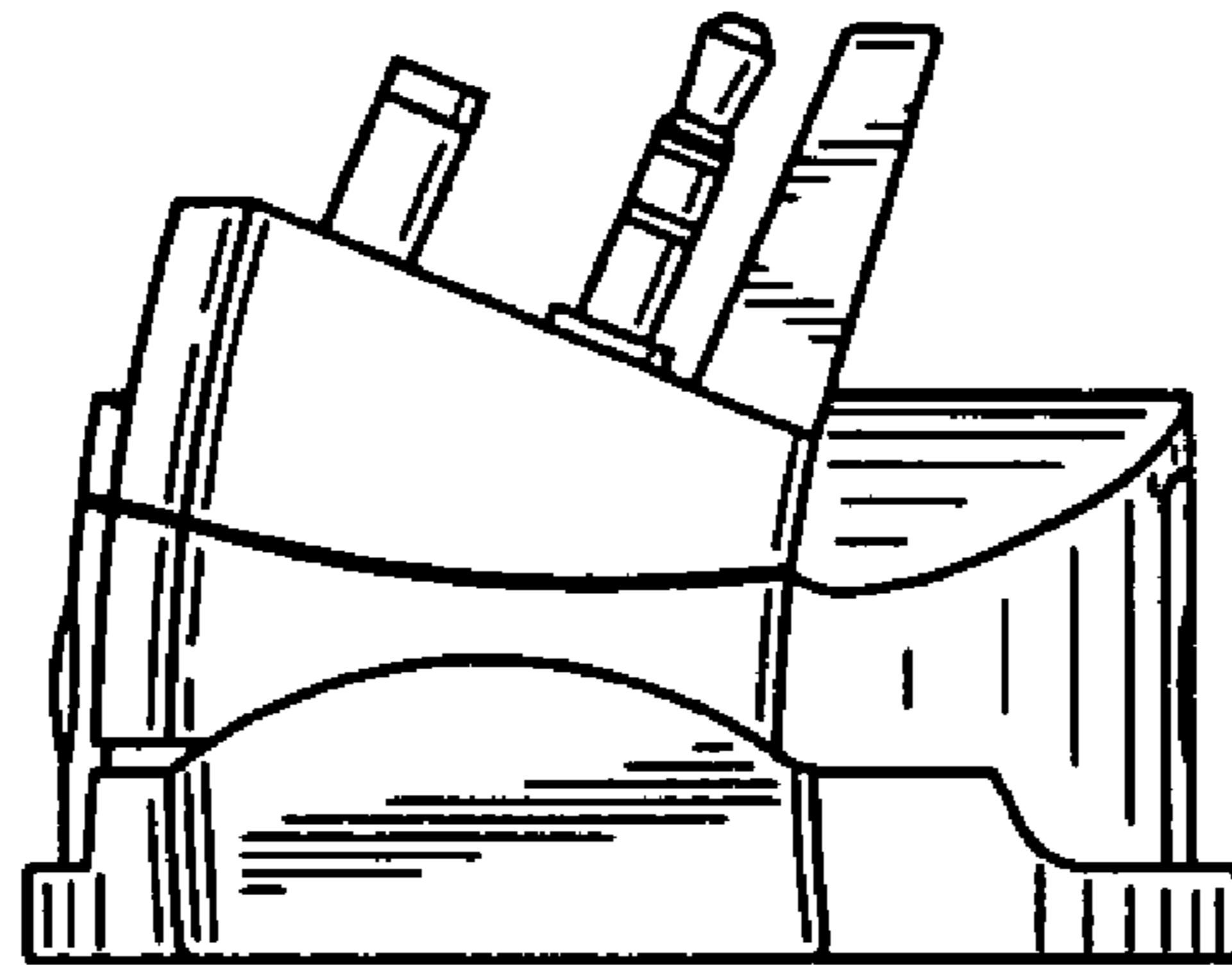


Fig. 5

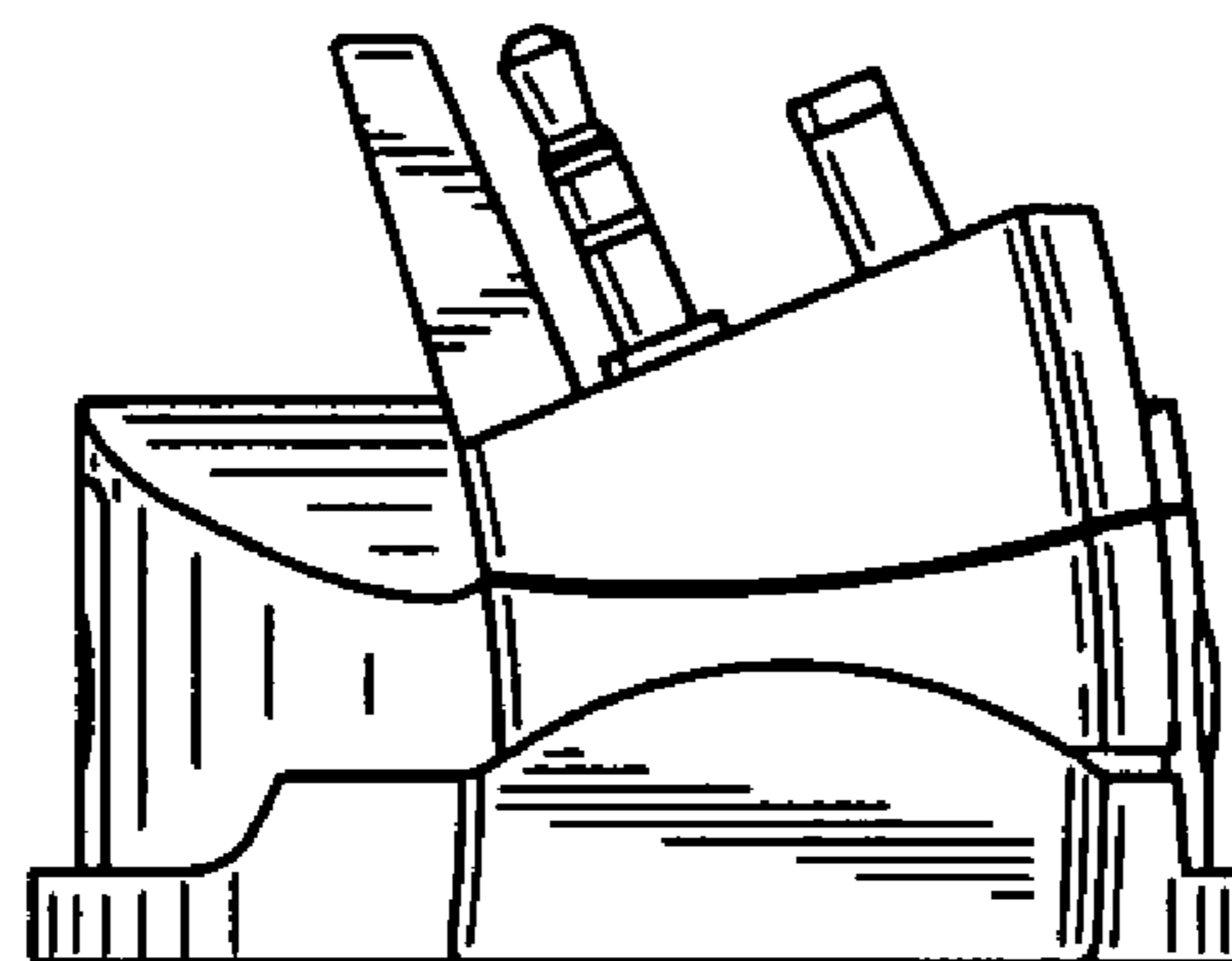


Fig. 6

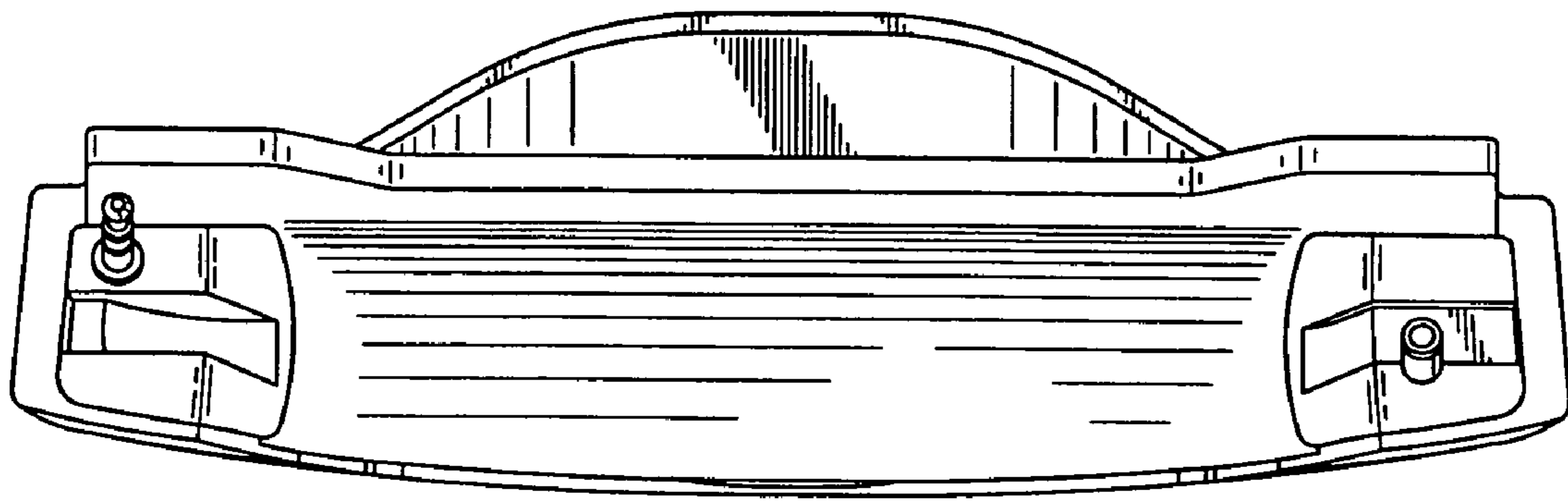


Fig. 7

