



US00D552184S

(12) **United States Design Patent**
Hussaini et al.

(10) **Patent No.:** **US D552,184 S**
(45) **Date of Patent:** **** Oct. 2, 2007**

(54) **STORAGE CASE AND AUDIO ACCESSORY FOR VIDEO GAMING DEVICE**

7,046,508 B2 * 5/2006 Lin 361/683
7,108,606 B1 * 9/2006 Luciano et al. 463/46
D529,495 S * 10/2006 Kent et al. D14/356
7,118,483 B2 * 10/2006 Beadell et al. 463/46

(75) Inventors: **Saied Hussaini**, Miami, FL (US); **Marc Iacovelli**, Miami, FL (US)

* cited by examiner

(73) Assignee: **Intec, Inc.**, Miami Gardens, FL (US)

Primary Examiner—Prabhakar Deshmukh

(**) Term: **14 Years**

(74) *Attorney, Agent, or Firm*—Berenato, White & Stavish

(21) Appl. No.: **29/265,104**

(57) **CLAIM**

(22) Filed: **Aug. 25, 2006**

The ornamental design for a storage case and audio accessory for video gaming device, as shown and described.

(51) **LOC (8) Cl.** **21-01**

DESCRIPTION

(52) **U.S. Cl.** **D21/333**; D21/324; D14/496

(58) **Field of Classification Search** D21/324–333, D21/369, 385; D14/432–434, 496, 217; 273/148 B; 463/1, 29–35, 46, 47, 16–22; 345/905, 156; 361/679–686; D3/218, 900
See application file for complete search history.

FIG. 1 is a perspective view of a storage case and audio accessory for video game device showing our new design; FIG. 2 is a front elevational view thereof; FIG. 3 is a rear elevational view thereof; FIG. 4 is a right side elevational view thereof; FIG. 5 is a left side elevational view thereof; FIG. 6 is a top plan view thereof; FIG. 7 is a bottom plan view thereof; FIG. 8 is a perspective view thereof, with the storage case and audio accessory for video game device shown in an open position; and, FIG. 9 is an alternate perspective of FIG. 8, with alternate orientation of inside elements.

(56) **References Cited**

U.S. PATENT DOCUMENTS

D275,971 S * 10/1984 Yokoi D21/330
D326,777 S * 6/1992 Newby, Sr. D3/319
D367,854 S * 3/1996 Iino et al. D14/434
D415,212 S * 10/1999 Hornsby et al. D21/330
6,206,187 B1 * 3/2001 Van Winkle 206/320
6,254,477 B1 * 7/2001 Sasaki et al. 463/1
D447,865 S * 9/2001 Hillman D3/226
6,347,796 B1 * 2/2002 Grossman et al. 273/148 B
D510,392 S * 10/2005 Hussaini et al. D21/333

1 Claim, 6 Drawing Sheets

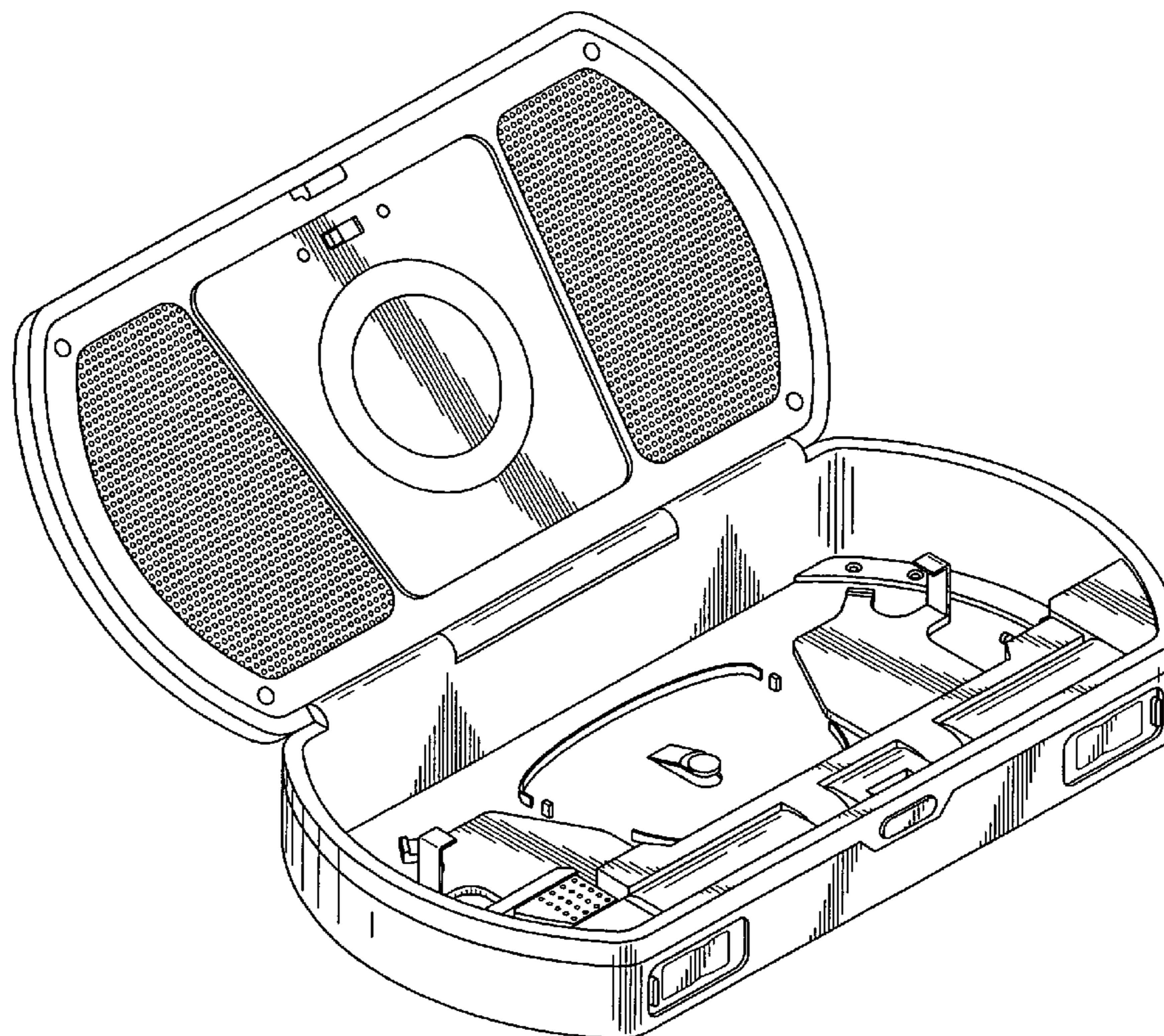


Fig. 1

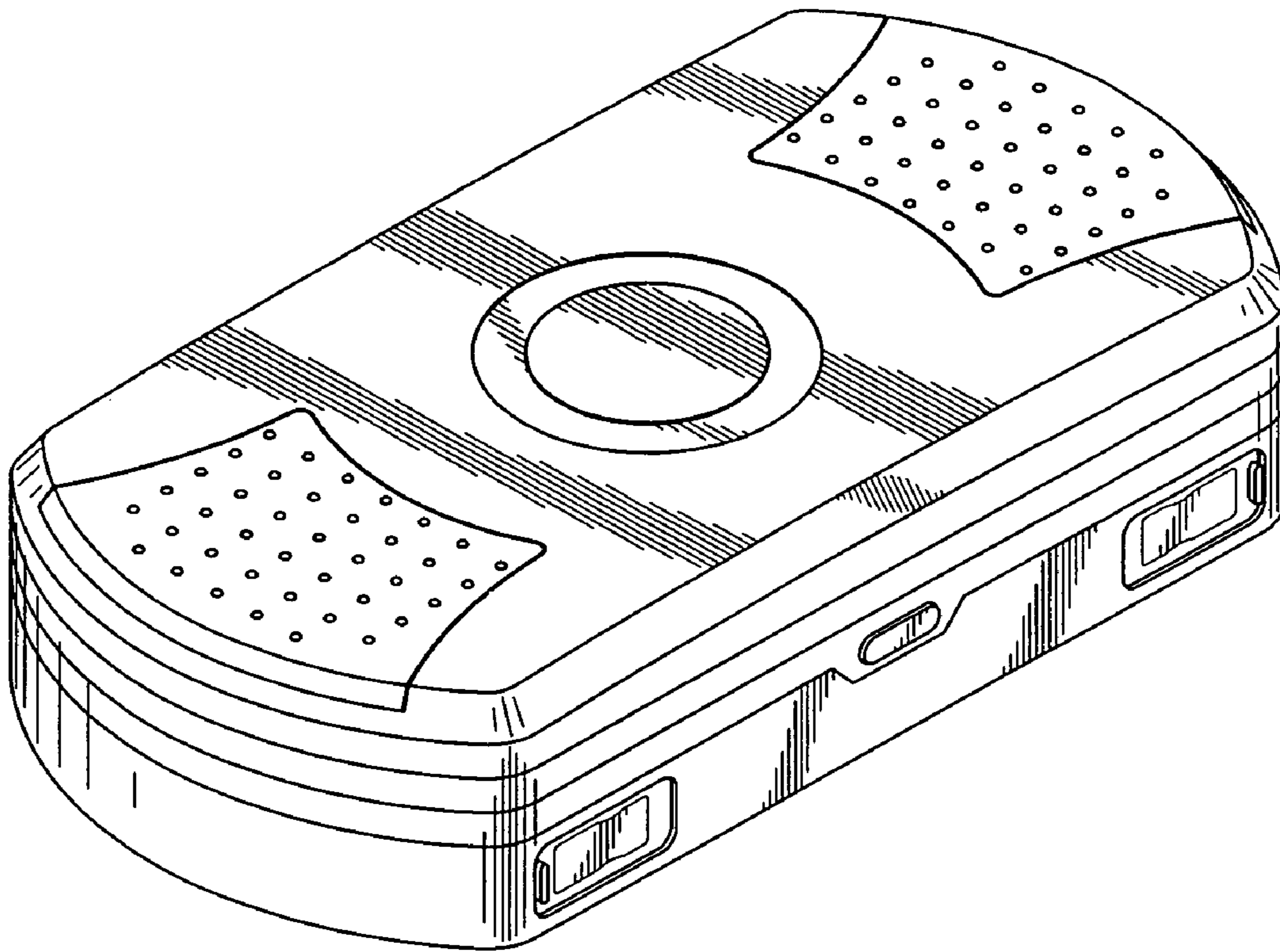


Fig. 2

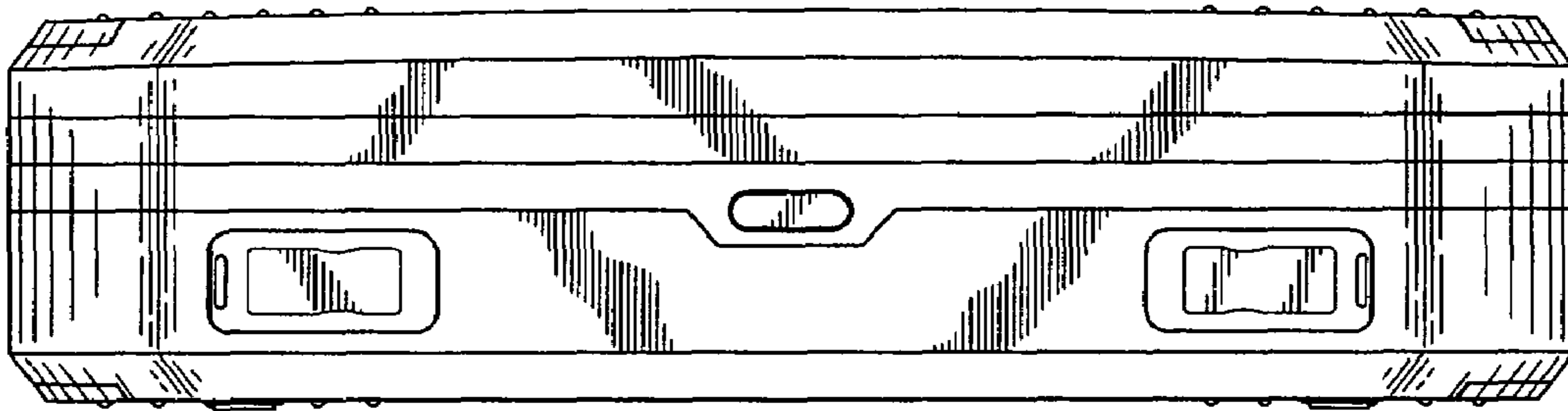


Fig. 3

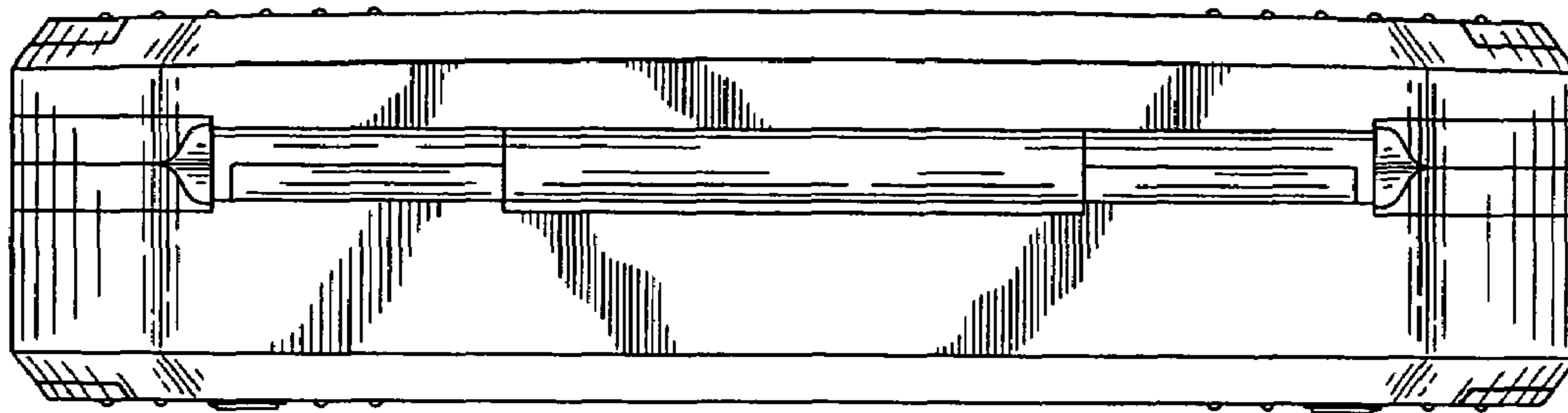


Fig. 4

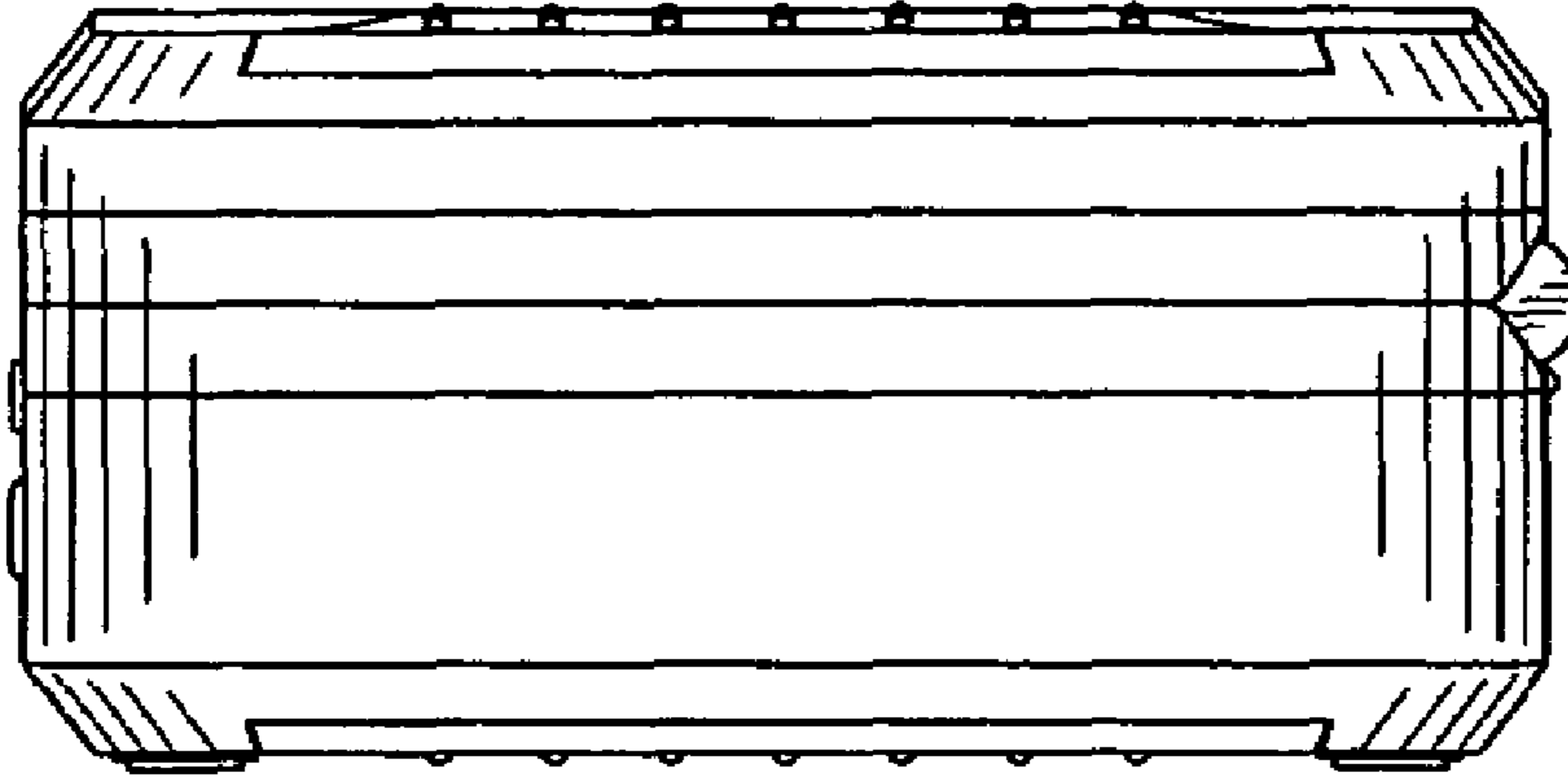


Fig. 5

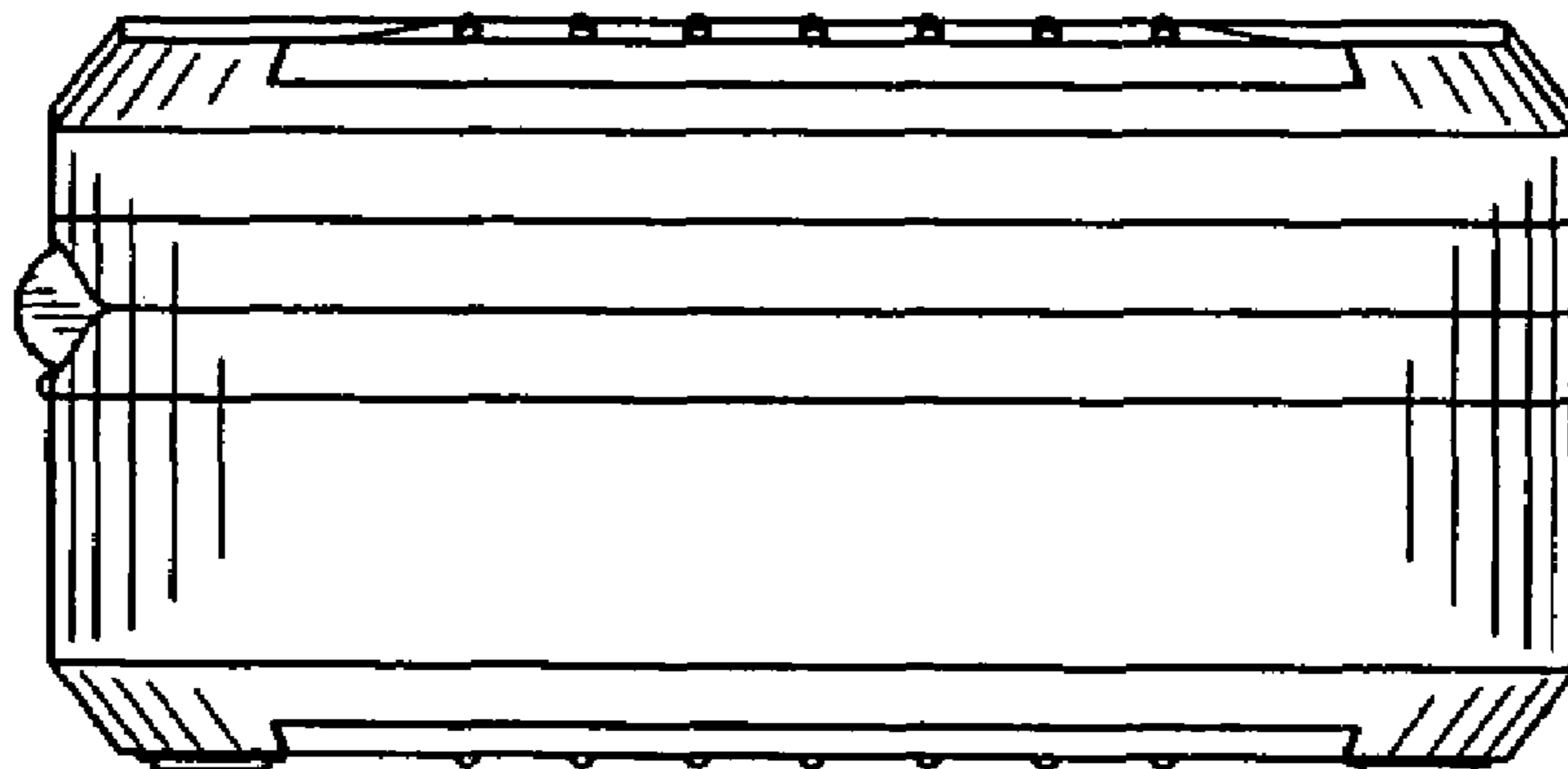


Fig. 6

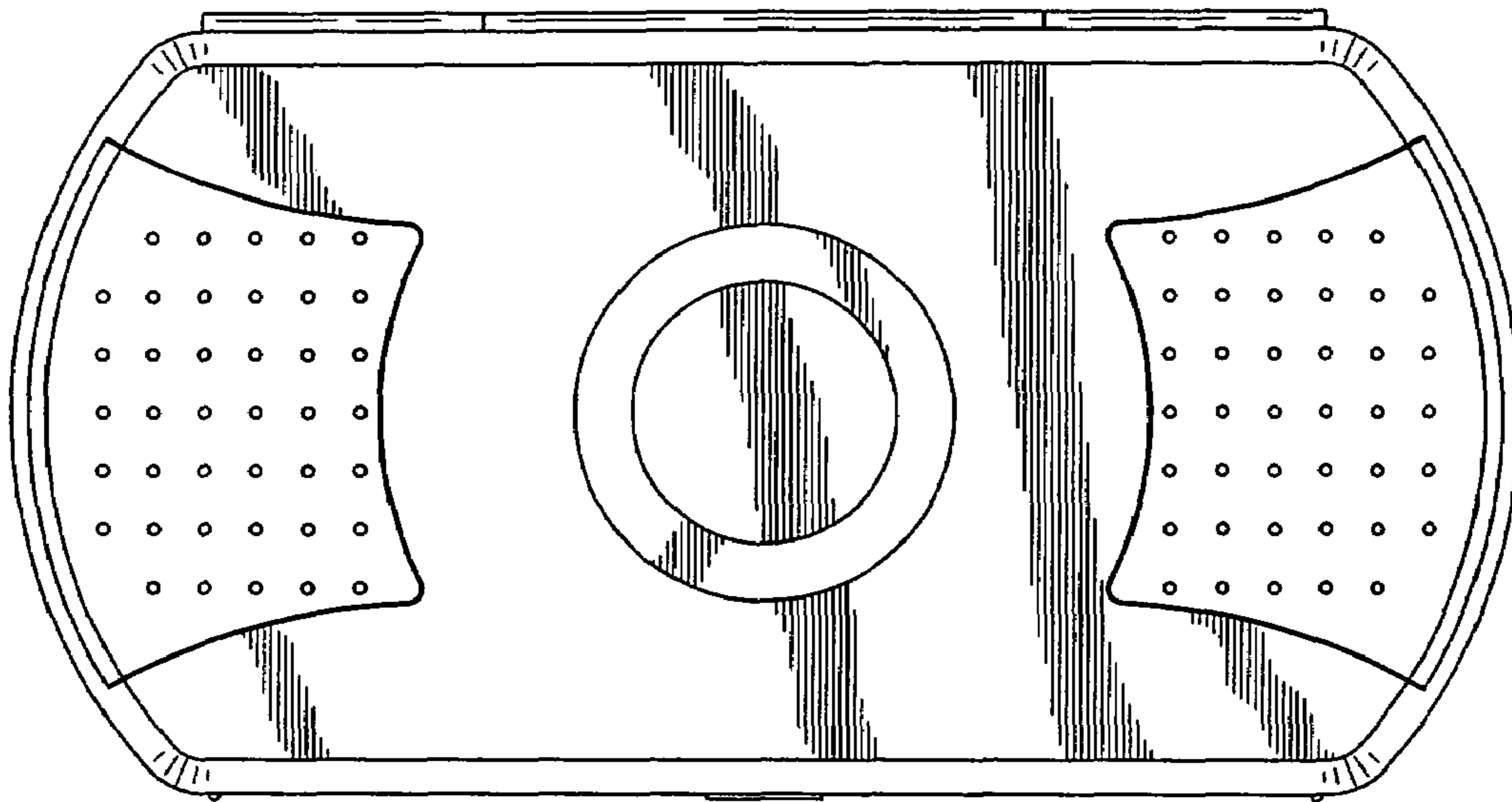


Fig. 7

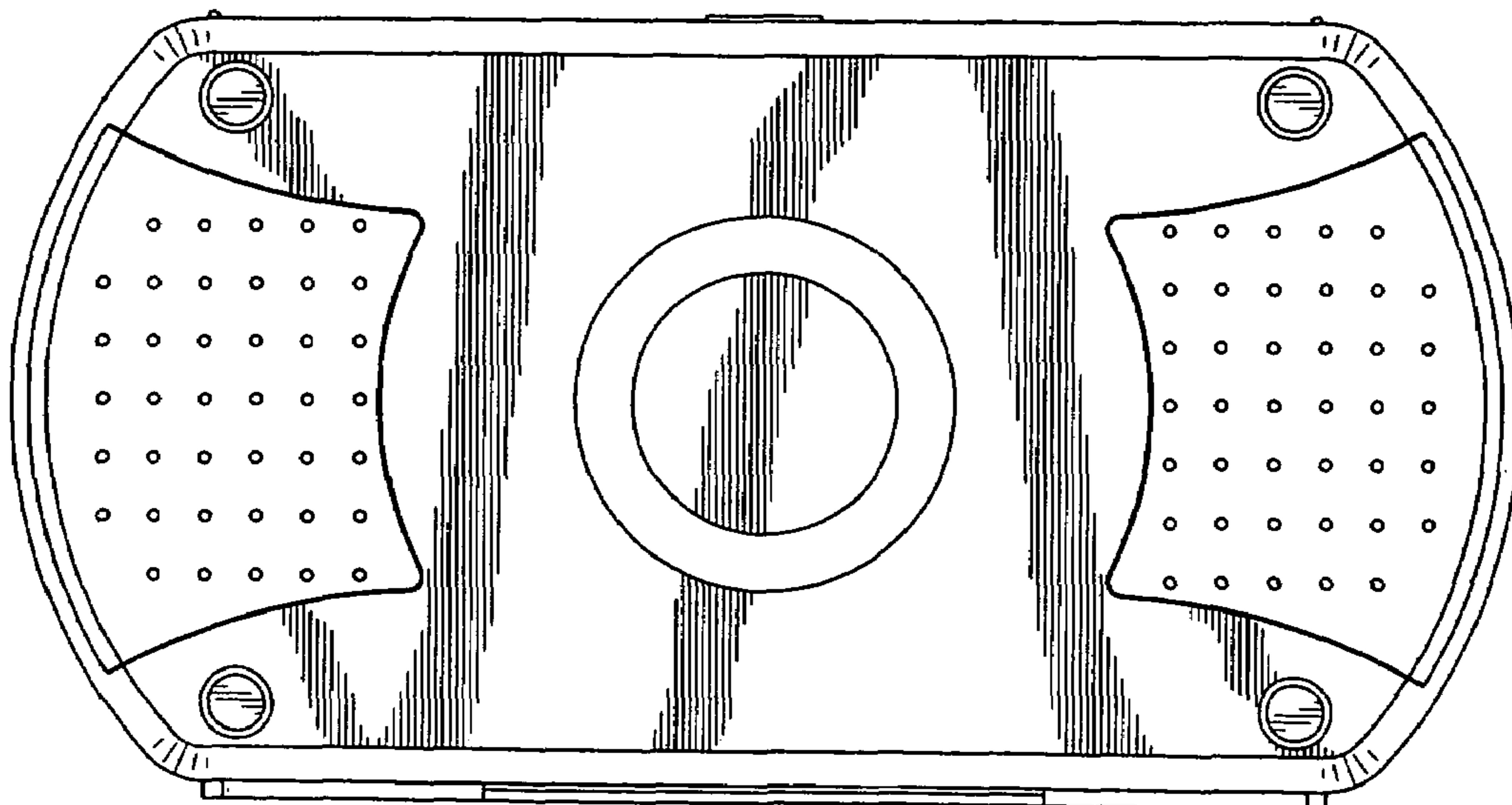


Fig. 8

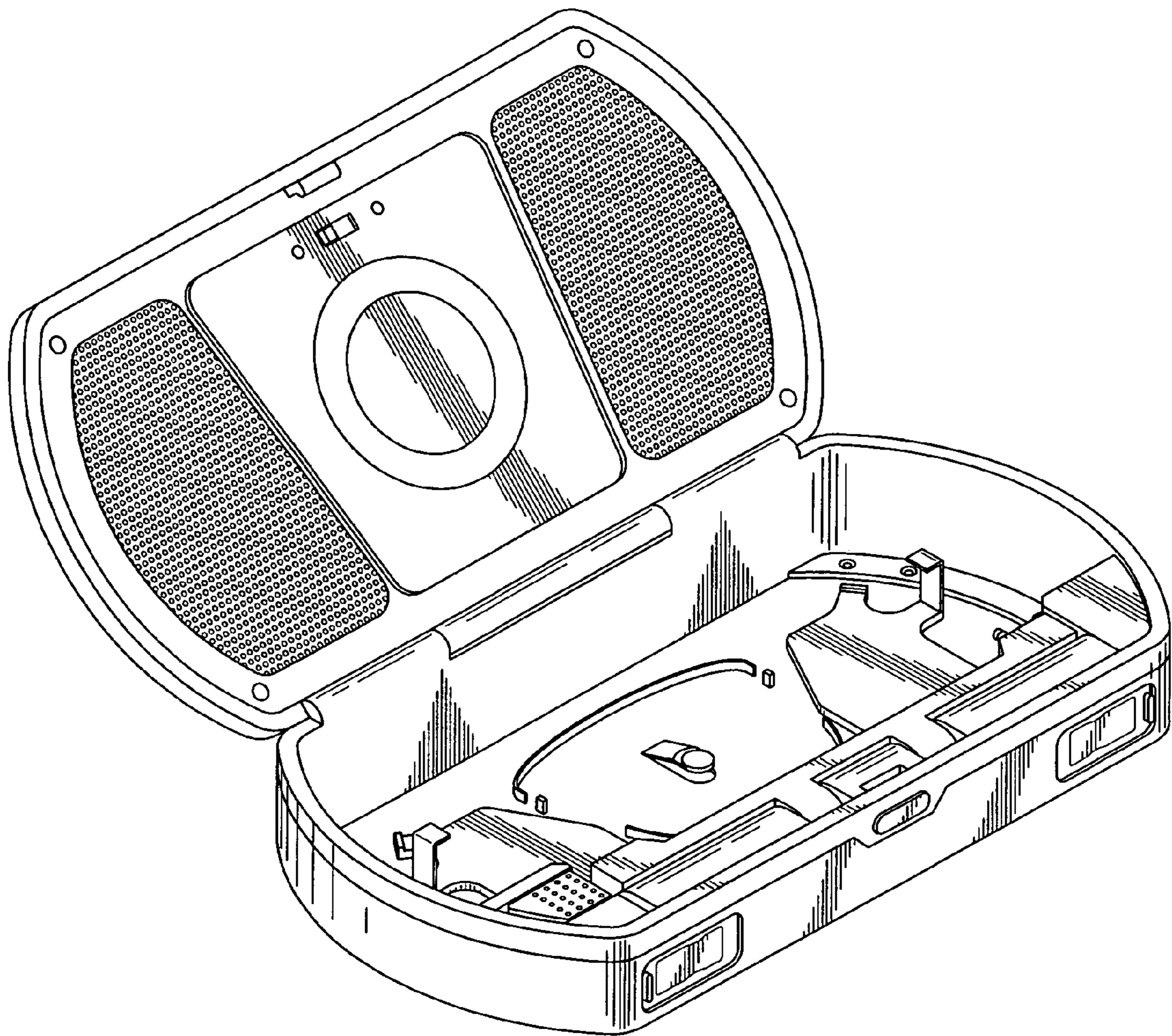


Fig. 9

