



US00D552181S

(12) **United States Design Patent**
Spennare

(10) **Patent No.:** **US D552,181 S**

(45) **Date of Patent:** **** Oct. 2, 2007**

(54) **DISPLAY SYSTEM**

(75) Inventor: **Johan Spennare**, Saltsjobaden (SE)

(73) Assignee: **Accenta Display Corporation**,
Mississauga, ON (CA)

(**) Term: **14 Years**

(21) Appl. No.: **29/229,800**

(22) Filed: **May 12, 2005**

(51) **LOC (8) Cl.** **20-03**

(52) **U.S. Cl.** **D20/41; D20/10; D20/39;**
D20/43

(58) **Field of Classification Search** D20/10,
D20/11, 34, 40, 41, 42, 43, 44, 99; D6/315,
D6/320, 328; D8/363, 367, 380, 394; 40/322,
40/617, 642.01, 642.02, 661.08, 672, 771,
40/788; 223/85, 87, 91, 97, 98; 248/125.2,
248/170, 171; 160/24; D16/241
See application file for complete search history.

(56) **References Cited**

U.S. PATENT DOCUMENTS

429,041	A *	5/1890	Lynch	138/106
1,359,492	A *	11/1920	Demuth	40/607.1
1,700,637	A *	1/1929	Demuth	160/244
1,846,798	A *	2/1932	Dixon	40/603
1,872,682	A *	8/1932	Cockle	40/603
D277,584	S *	2/1985	Annestedt	D20/43
D323,338	S *	1/1992	Court	D16/241

5,172,745	A *	12/1992	Wang	160/370.22
D383,925	S *	9/1997	Ahlberg	D6/491
D397,366	S *	8/1998	Wamsley	D20/43
6,643,966	B2 *	11/2003	Schmitt	40/610
6,691,019	B2 *	2/2004	Seeley et al.	701/100
D490,835	S *	6/2004	Kotera	D16/241
6,836,988	B2 *	1/2005	Zarelius	40/610
6,854,204	B2 *	2/2005	Uden	40/603
D520,046	S *	5/2006	Miyagawa et al.	D16/241

* cited by examiner

Primary Examiner—Robert M. Spear

(57) **CLAIM**

The ornamental design for a display system, as shown.

DESCRIPTION

FIG. 1 is a front view of the display system;
 FIG. 2 is a back view of the display system;
 FIG. 3 is a left side view of the display system;
 FIG. 4 is a right side view of the display system;
 FIG. 5 is a fragmentary bottom perspective view of the base of the display system;
 FIG. 6 is a bottom view of the base of the display system;
 FIG. 7 is a left side view of the base of the display system;
 and,
 FIG. 8 is a right side view of the base of the display system.

1 Claim, 4 Drawing Sheets

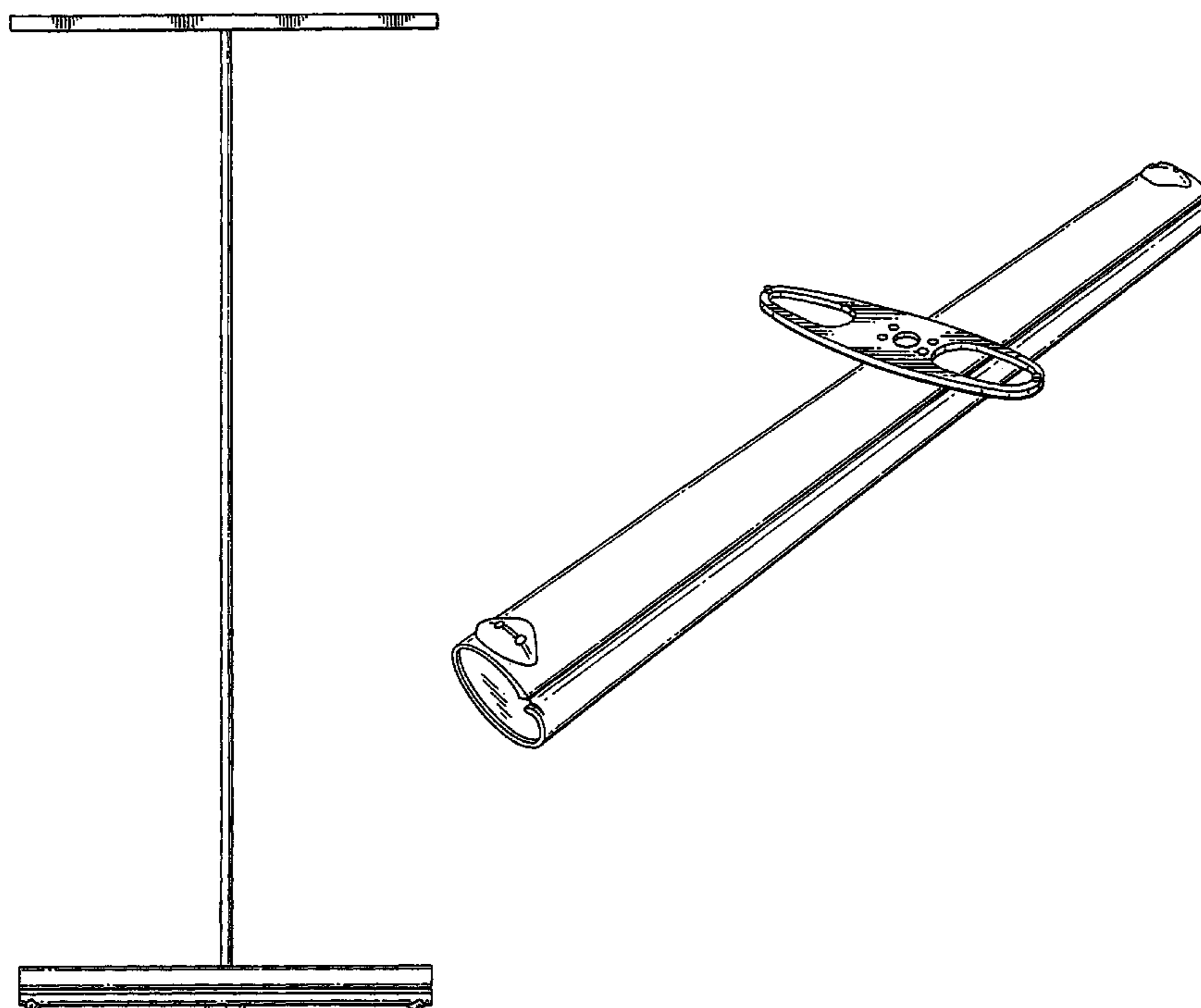


FIG. 1.

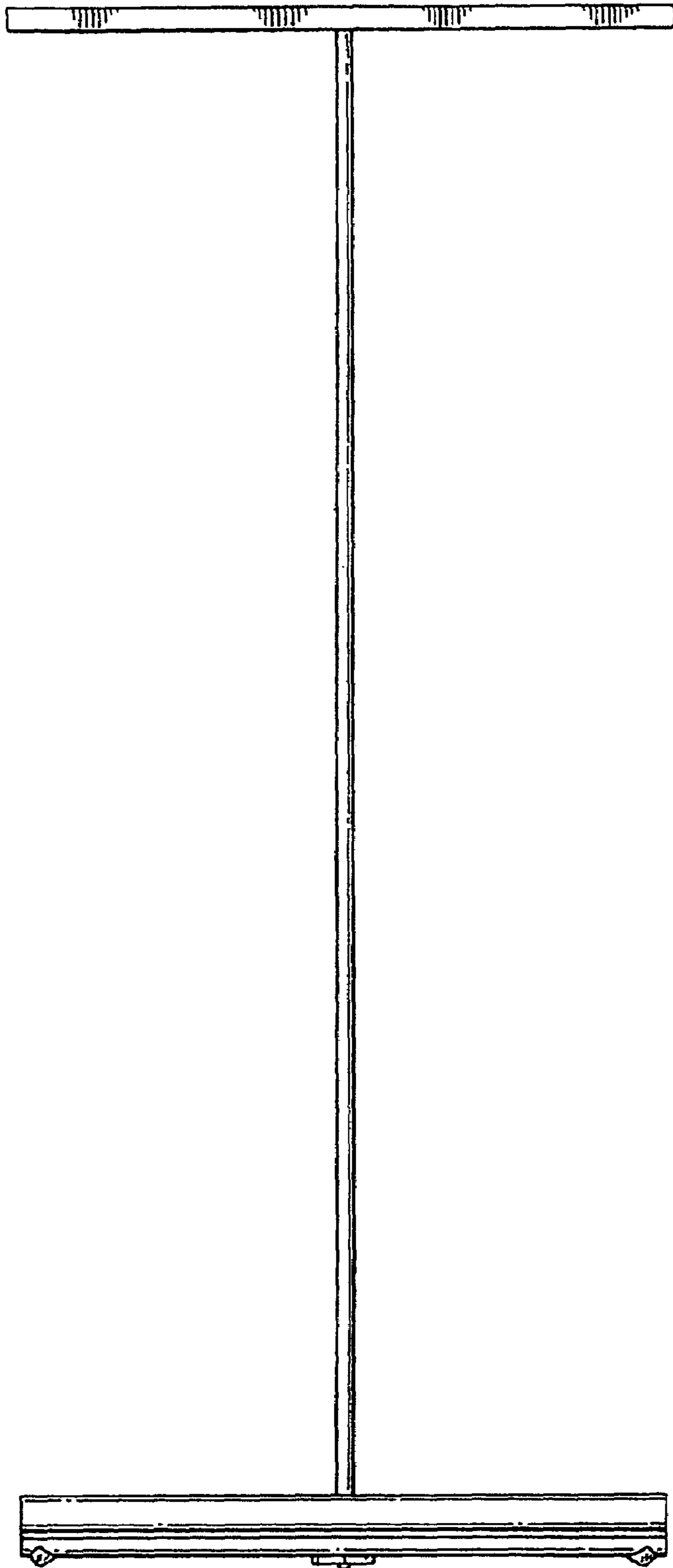


FIG. 3.

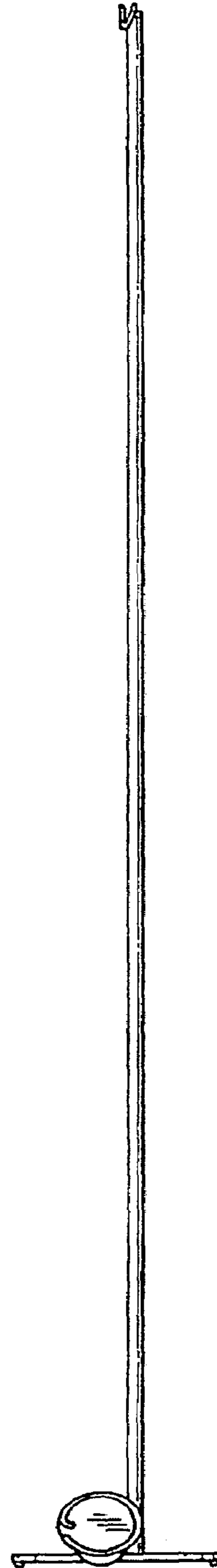


FIG. 2.

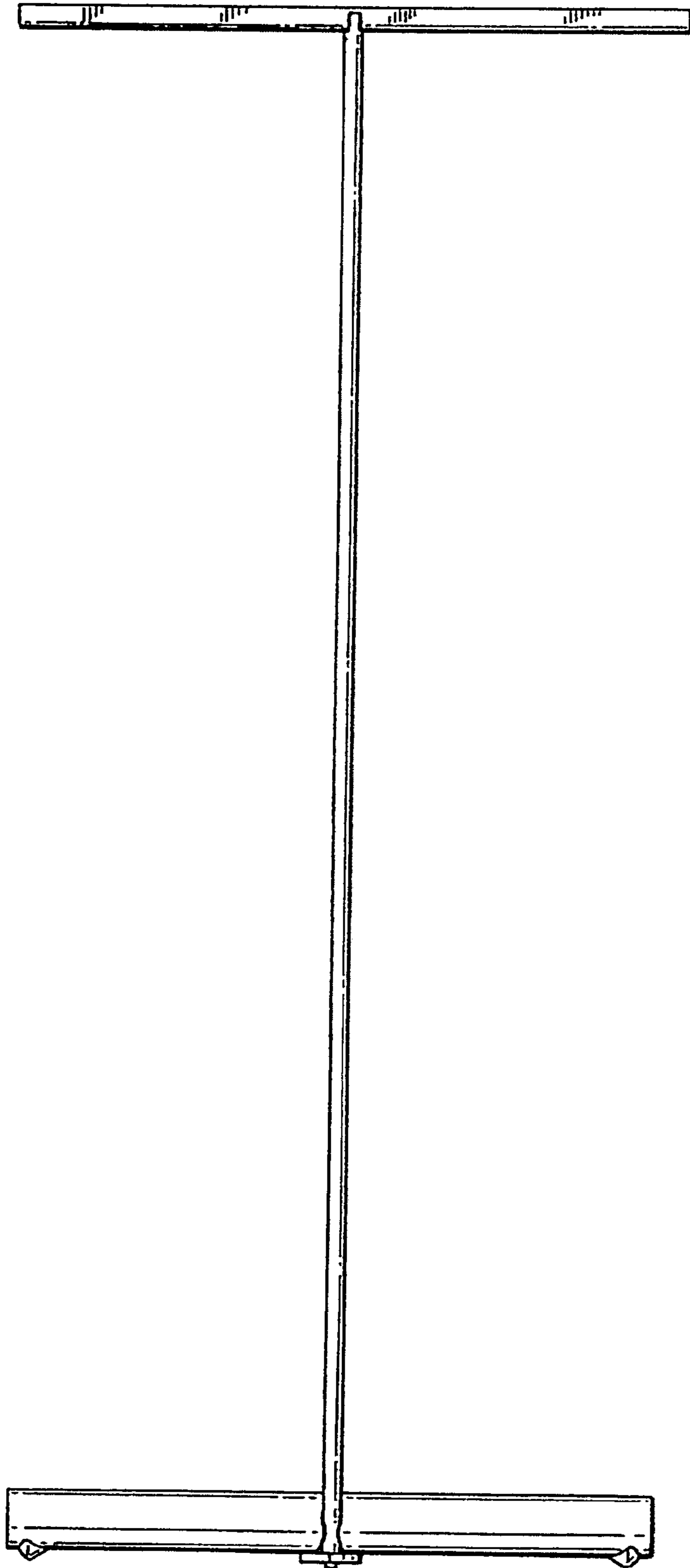


FIG. 4.

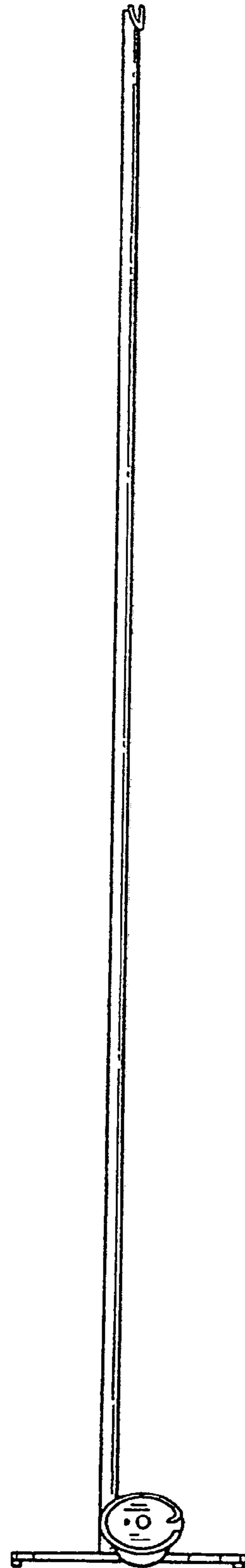


FIG. 5.

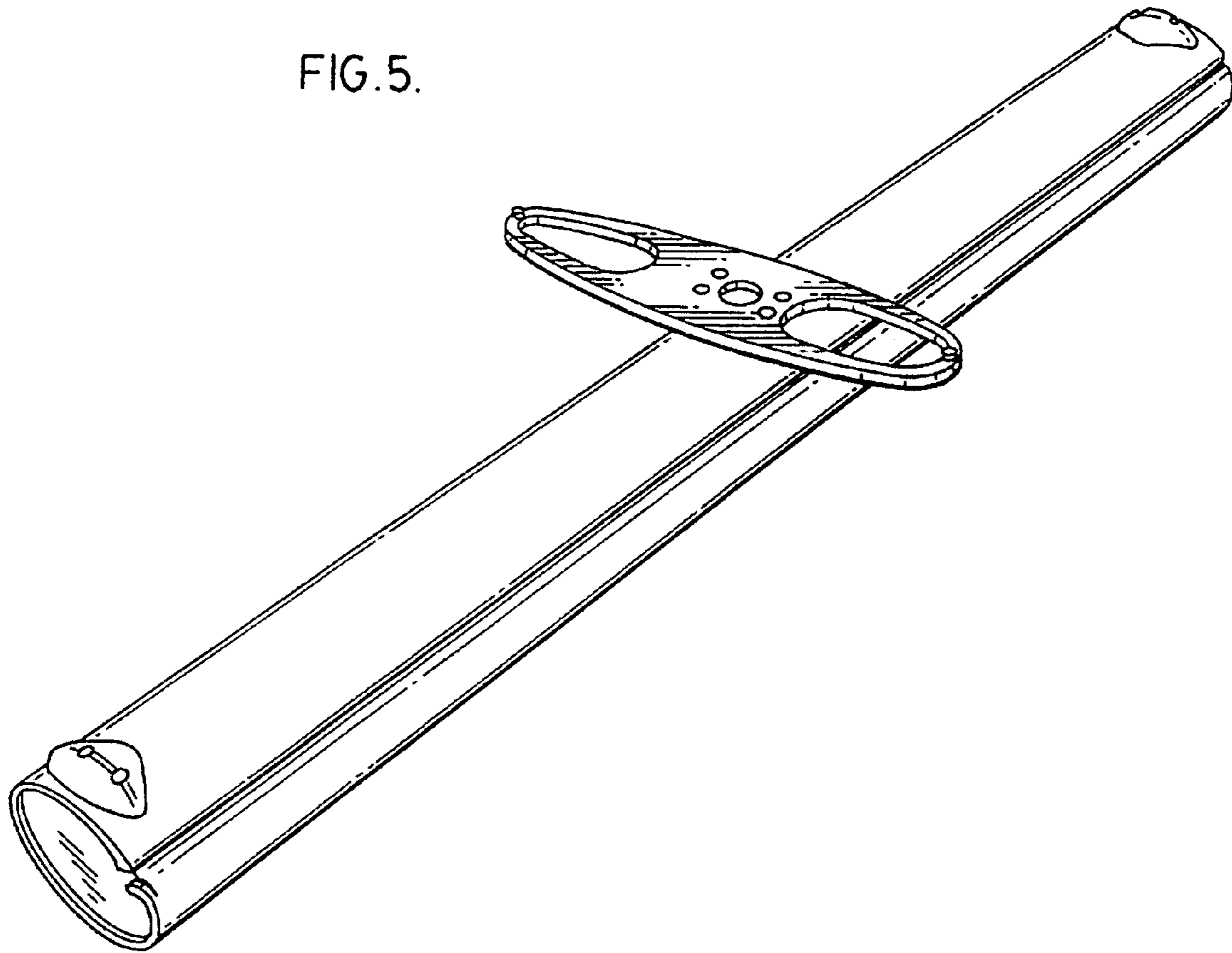
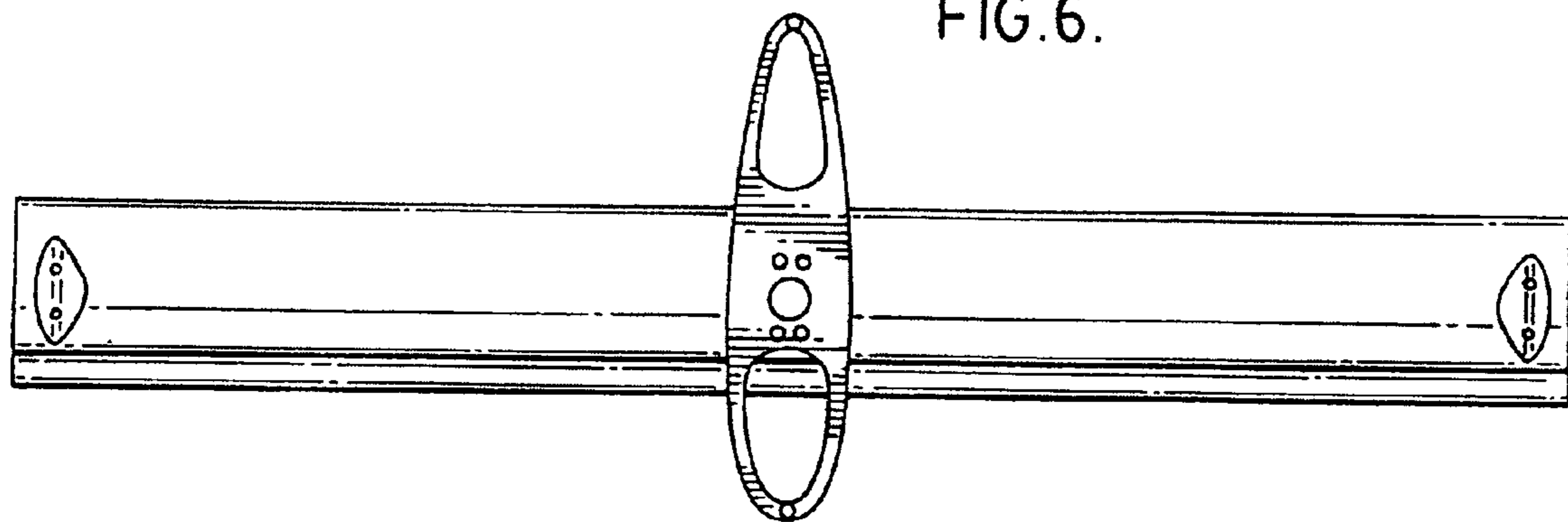


FIG. 6.



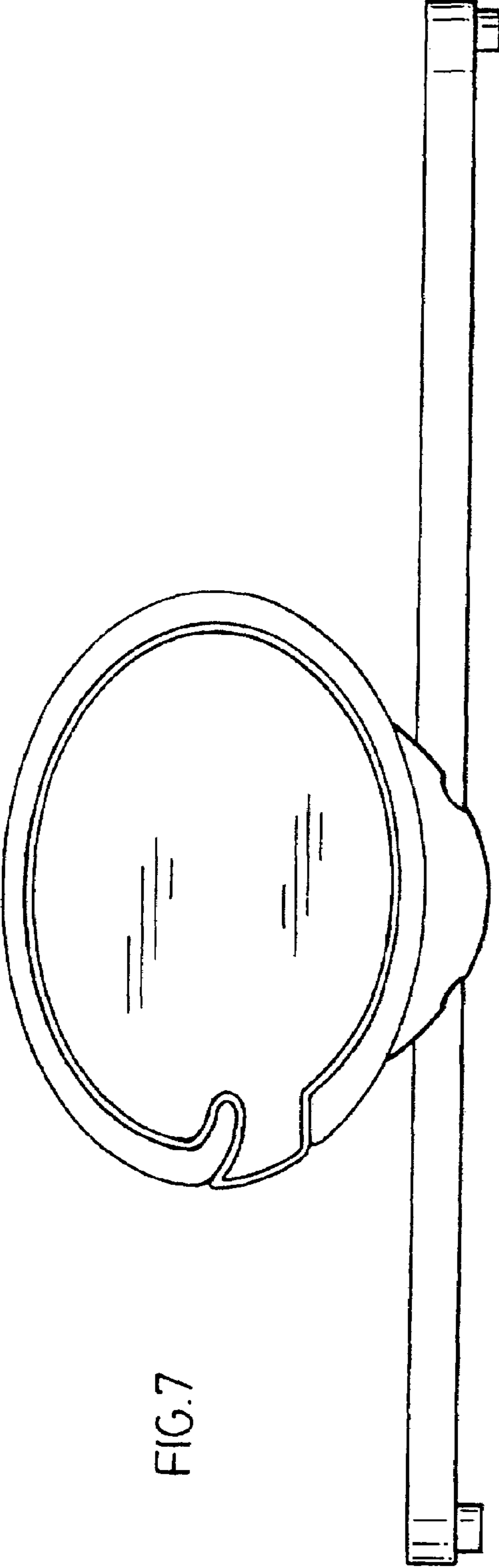


FIG. 7

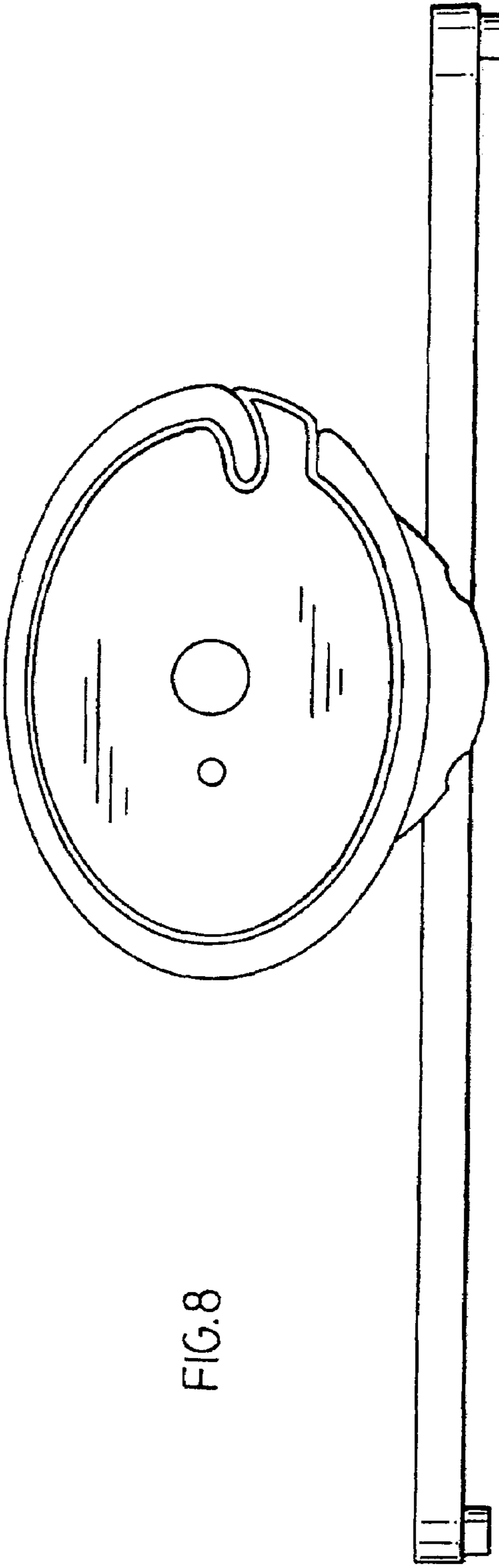


FIG. 8