



US00D552178S

(12) **United States Design Patent**  
**Boffa et al.**

(10) **Patent No.:** **US D552,178 S**

(45) **Date of Patent:** **\*\* Oct. 2, 2007**

(54) **HEART BRACE**

(75) Inventors: **Daniel J. Boffa**, Shaker Heights, OH (US); **Eric E. Roselli**, Rock River, OH (US); **Douglas R. Johnston**, Cleveland Heights, OH (US); **David Nagle**, Medina, OH (US); **John Robert Mehall**, Cincinnati, OH (US); **David P. Mason**, Cleveland, OH (US); **Bruce W. Lytle**, Bainbridge Township, OH (US)

(73) Assignee: **The Cleveland Clinic Foundation**, Cleveland, OH (US)

(\*\*) Term: **14 Years**

(21) Appl. No.: **29/260,445**

(22) Filed: **May 25, 2006**

(51) **LOC (8) Cl.** ..... **19-07**

(52) **U.S. Cl.** ..... **D19/62**

(58) **Field of Classification Search** ..... D19/59-64; D8/70-71; D15/140; 249/177; 269/45, 269/75, 82, 296; 359/447; 431/126, 288; 434/82, 85, 88, 91; 446/374  
See application file for complete search history.

(56) **References Cited**

**U.S. PATENT DOCUMENTS**

1,111,608	A *	9/1914	O'Brien	.....	434/88
2,545,210	A *	3/1951	Moore	.....	249/177
2,887,974	A *	5/1959	Weinfeld	.....	269/45
4,070,011	A *	1/1978	Glesser	.....	269/45
4,253,649	A *	3/1981	Hewson	.....	269/45

4,949,944	A *	8/1990	Groff, Sr.	.....	269/45
5,100,325	A *	3/1992	Cutler	.....	434/91
5,217,376	A *	6/1993	Gosselin	.....	434/91
5,741,140	A *	4/1998	Bristol	.....	434/82
D399,220	S *	10/1998	Schmidt	.....	D15/140
5,910,005	A *	6/1999	Scherr	.....	431/126
D518,348	S *	4/2006	Fahey	.....	D8/71
2005/0214727	A1	9/2005	Stoianovici et al.		

\* cited by examiner

*Primary Examiner*—Louis Zarfes

*Assistant Examiner*—Mark Cavanna

(74) *Attorney, Agent, or Firm*—Tarolli, Sundheim, Covell & Tummino LLP

(57) **CLAIM**

The ornamental design for a heart brace, as shown and described.

**DESCRIPTION**

FIG. 1 is a top perspective view of a heart brace showing our new design;

FIG. 2 is a front elevational view thereof;

FIG. 3 is a back elevational view thereof;

FIG. 4 is a right side elevational view thereof;

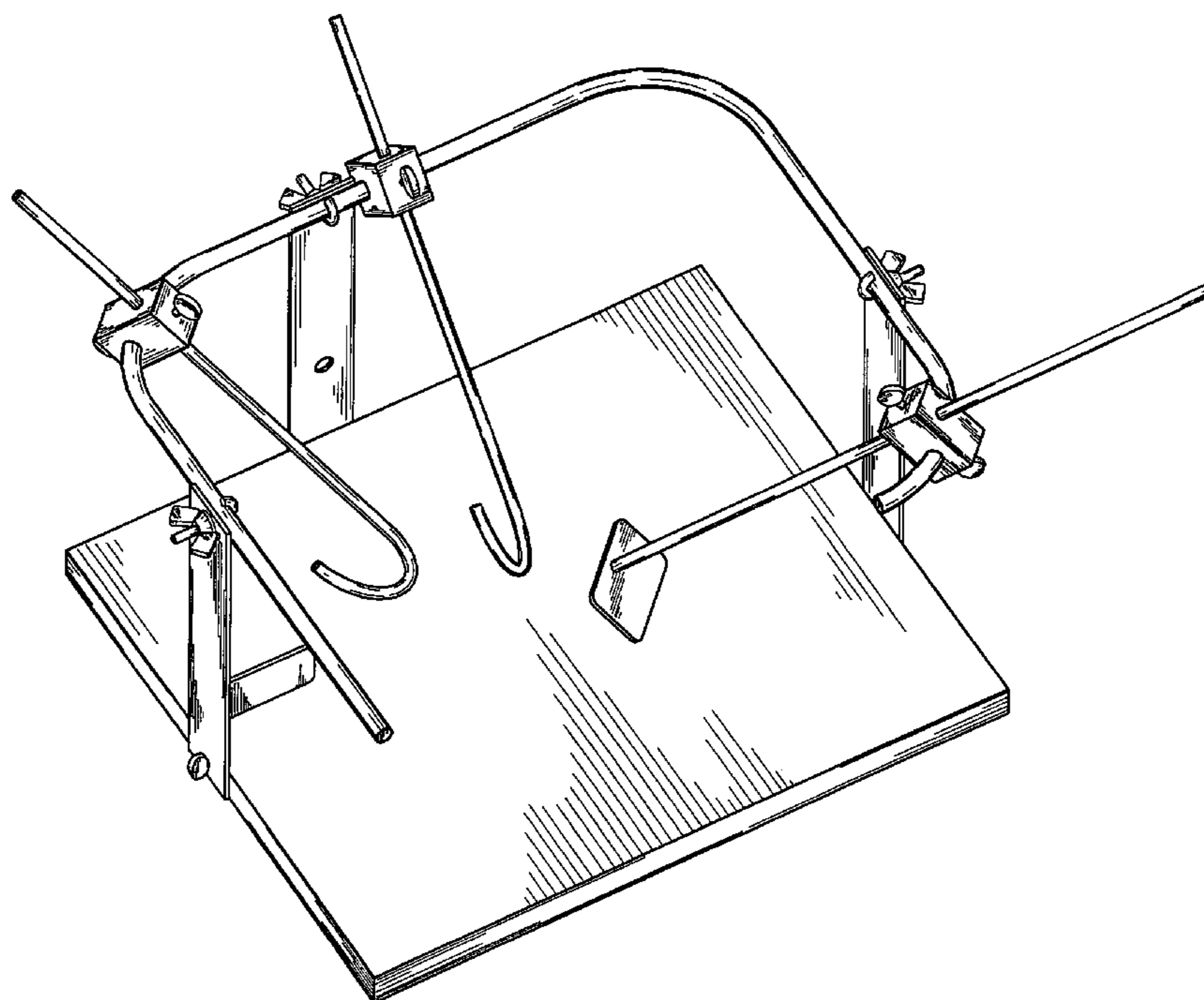
FIG. 5 is a left side elevational view thereof;

FIG. 6 is a top plan view thereof;

FIG. 7 is a bottom plan view thereof; and,

FIG. 8 is a top perspective view of a heart brace shown in an alternate condition of use.

**1 Claim, 6 Drawing Sheets**



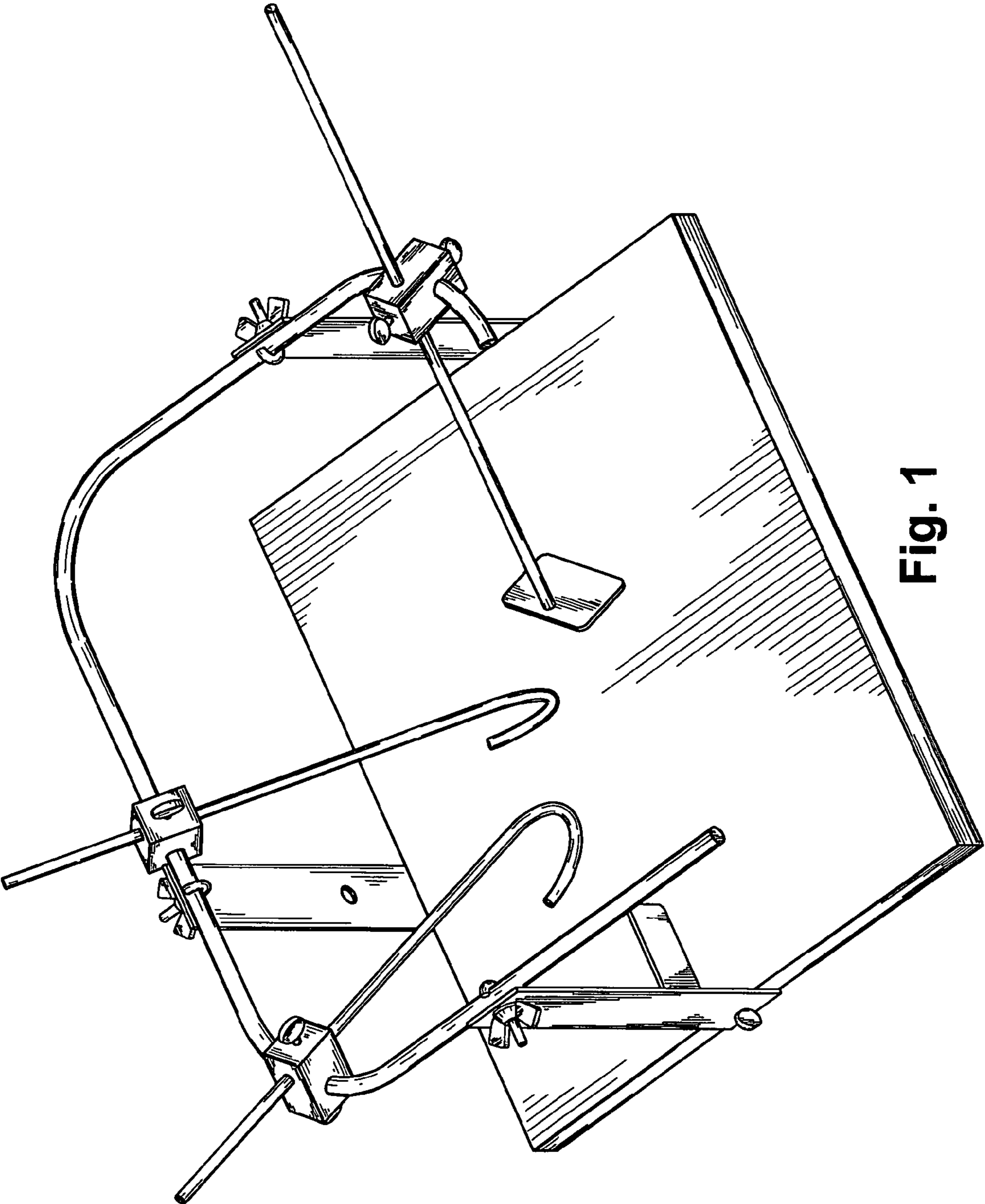
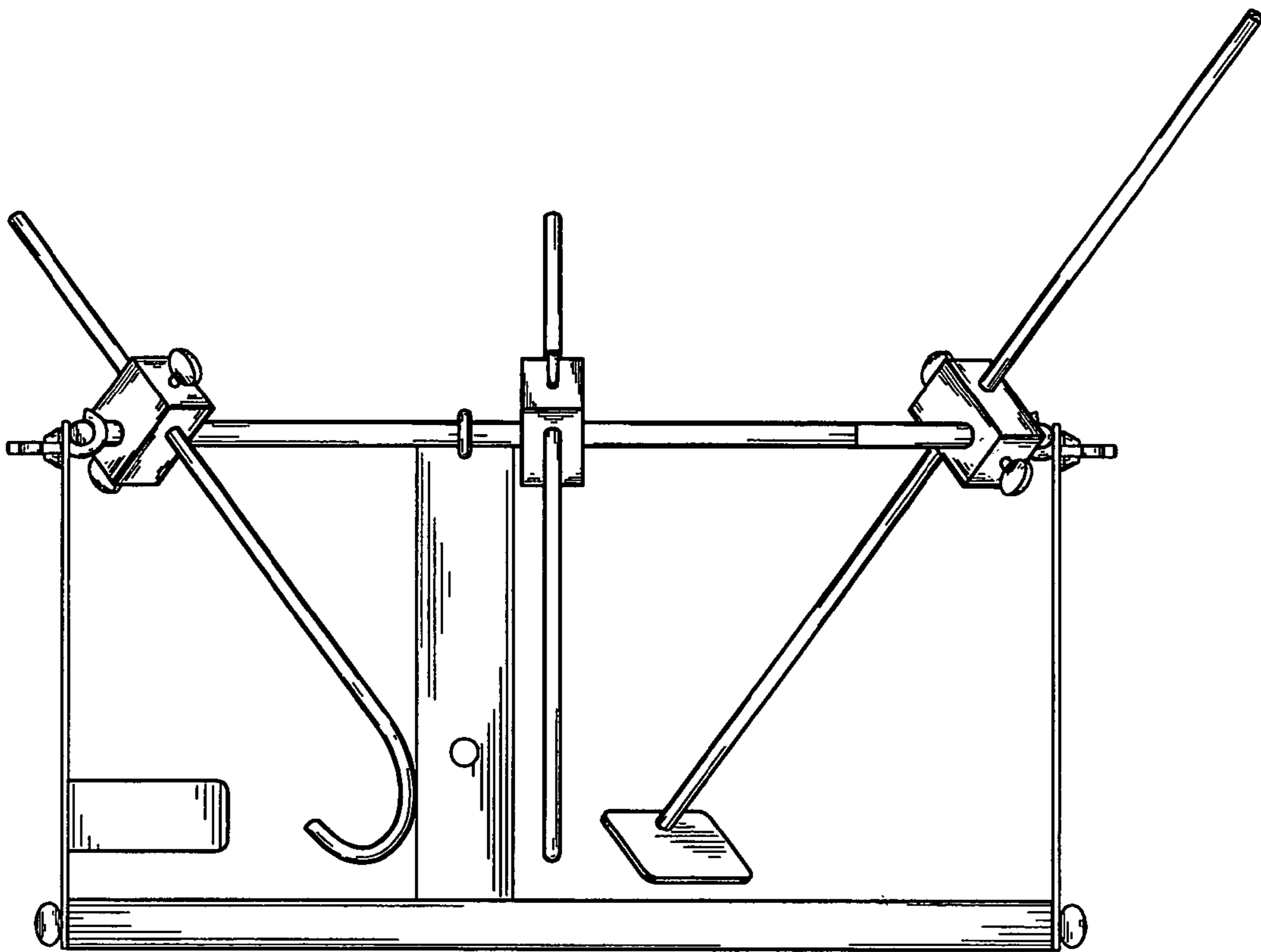
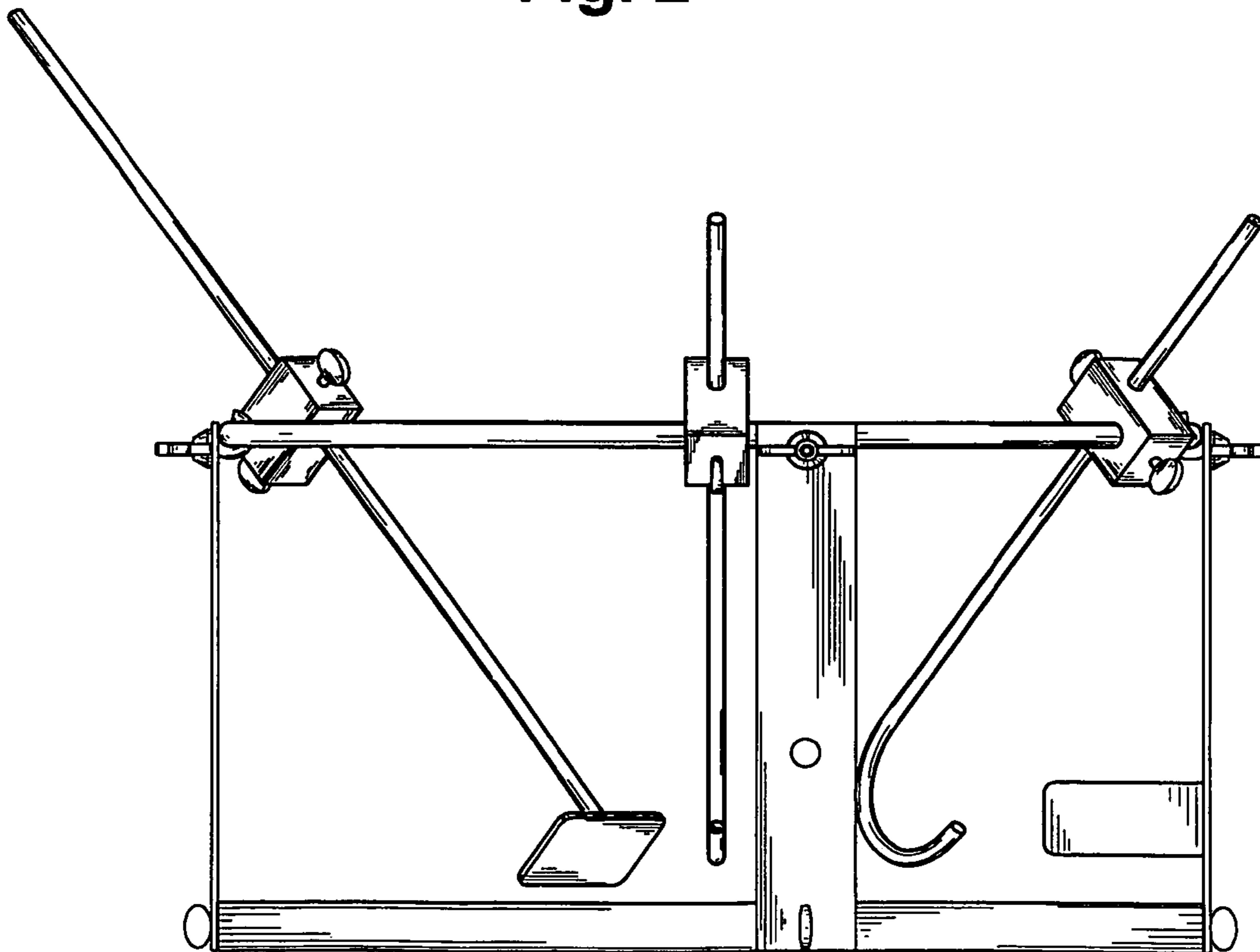


Fig. 1



**Fig. 2**



**Fig. 3**

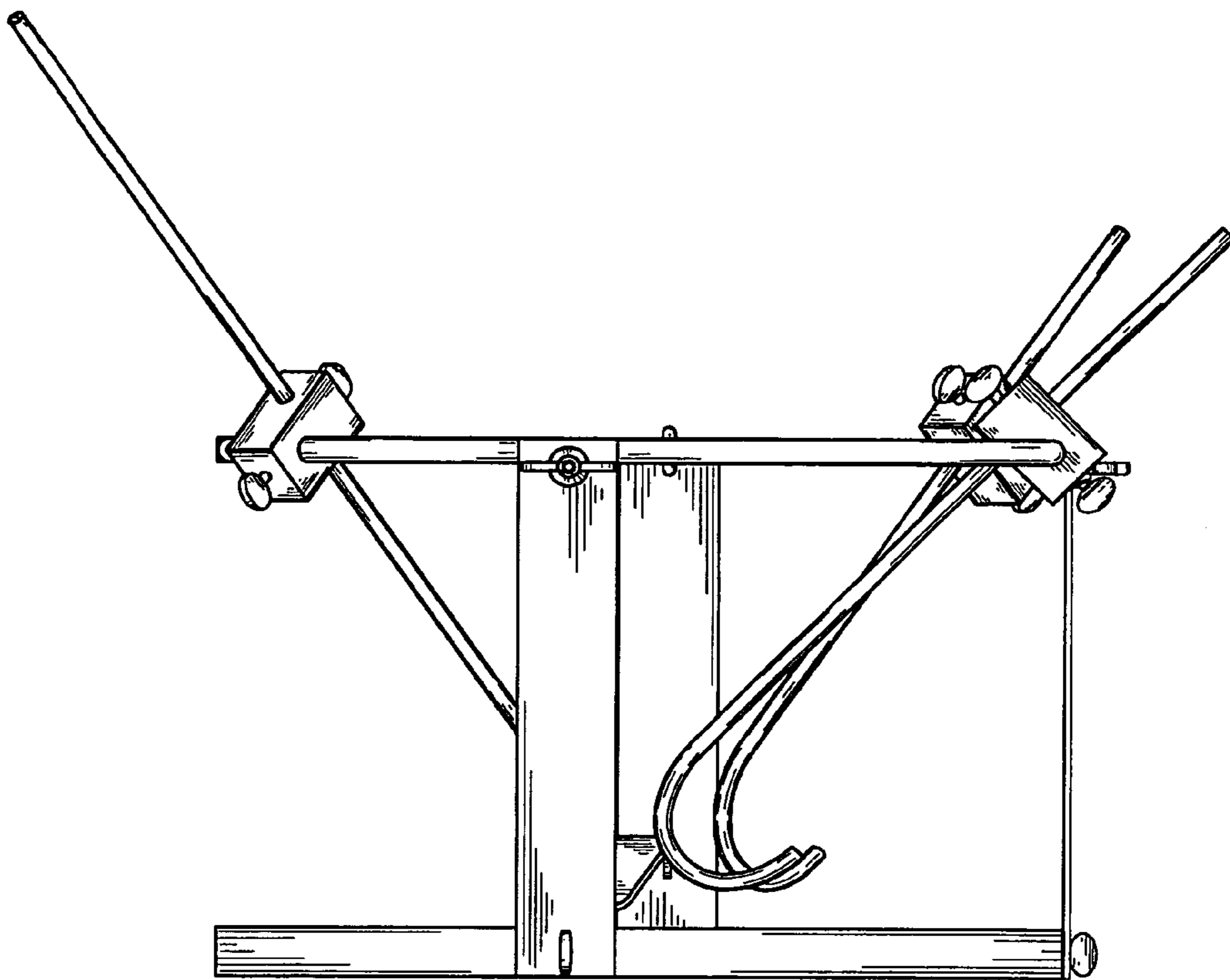


Fig. 4

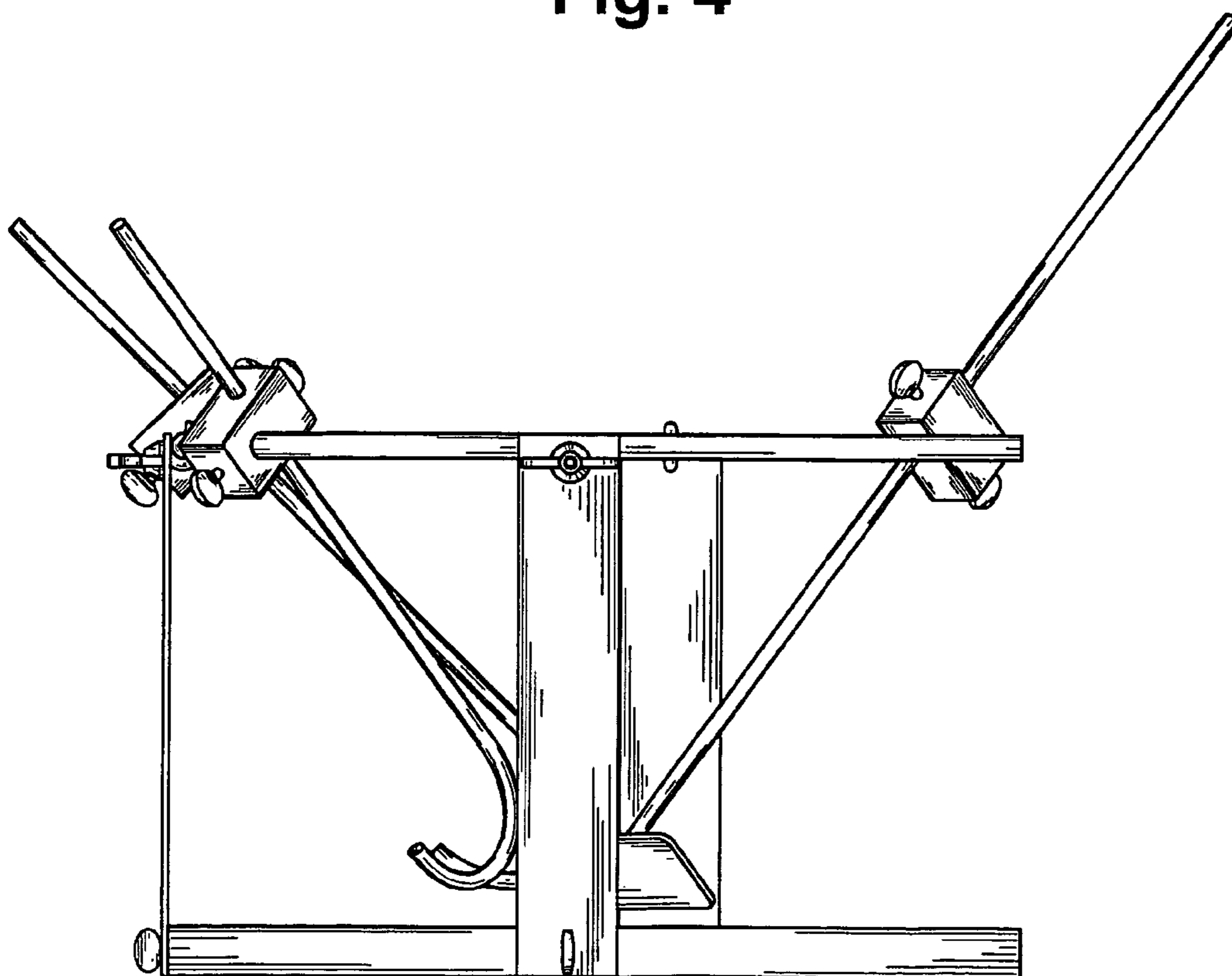


Fig. 5

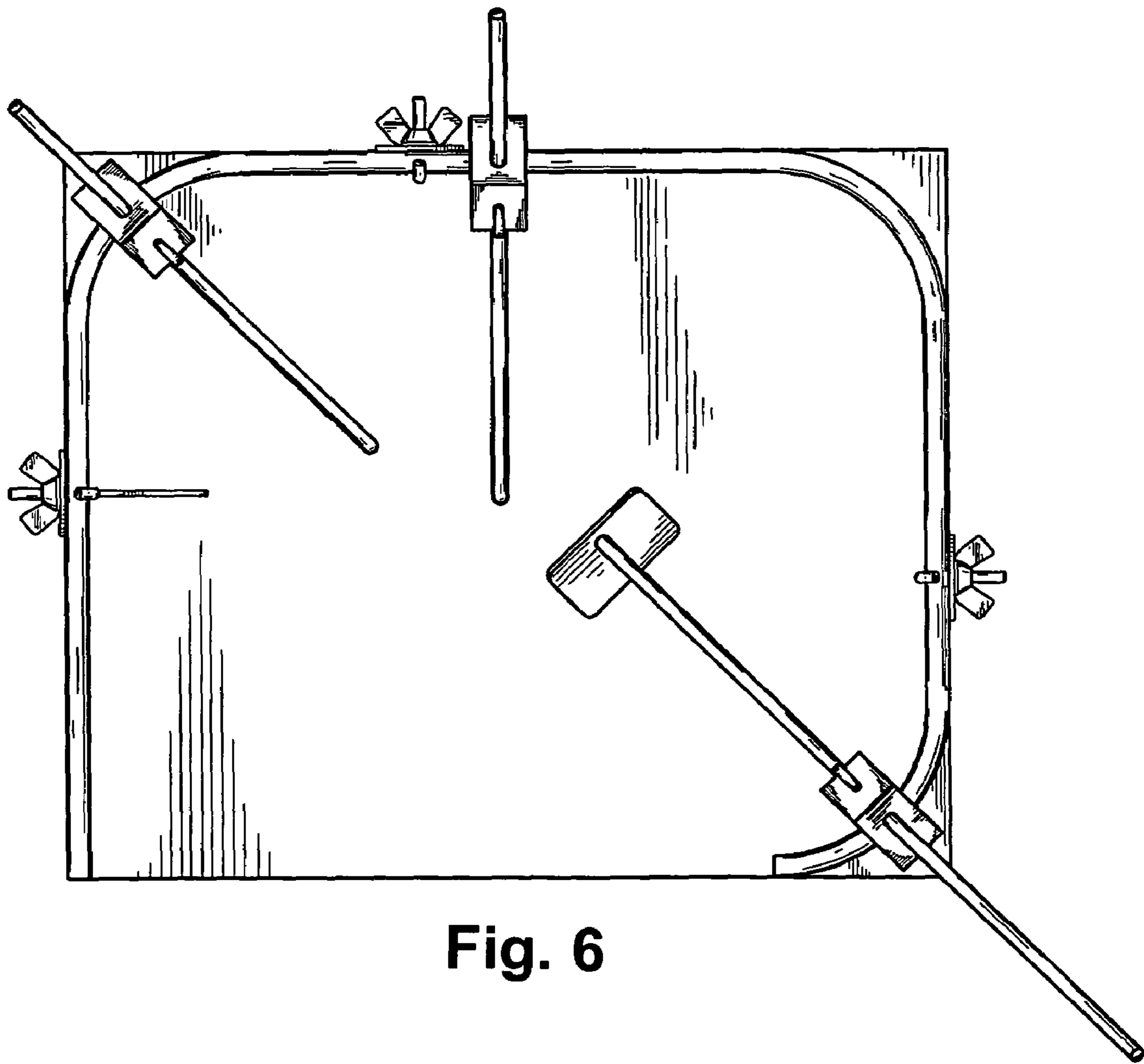


Fig. 6

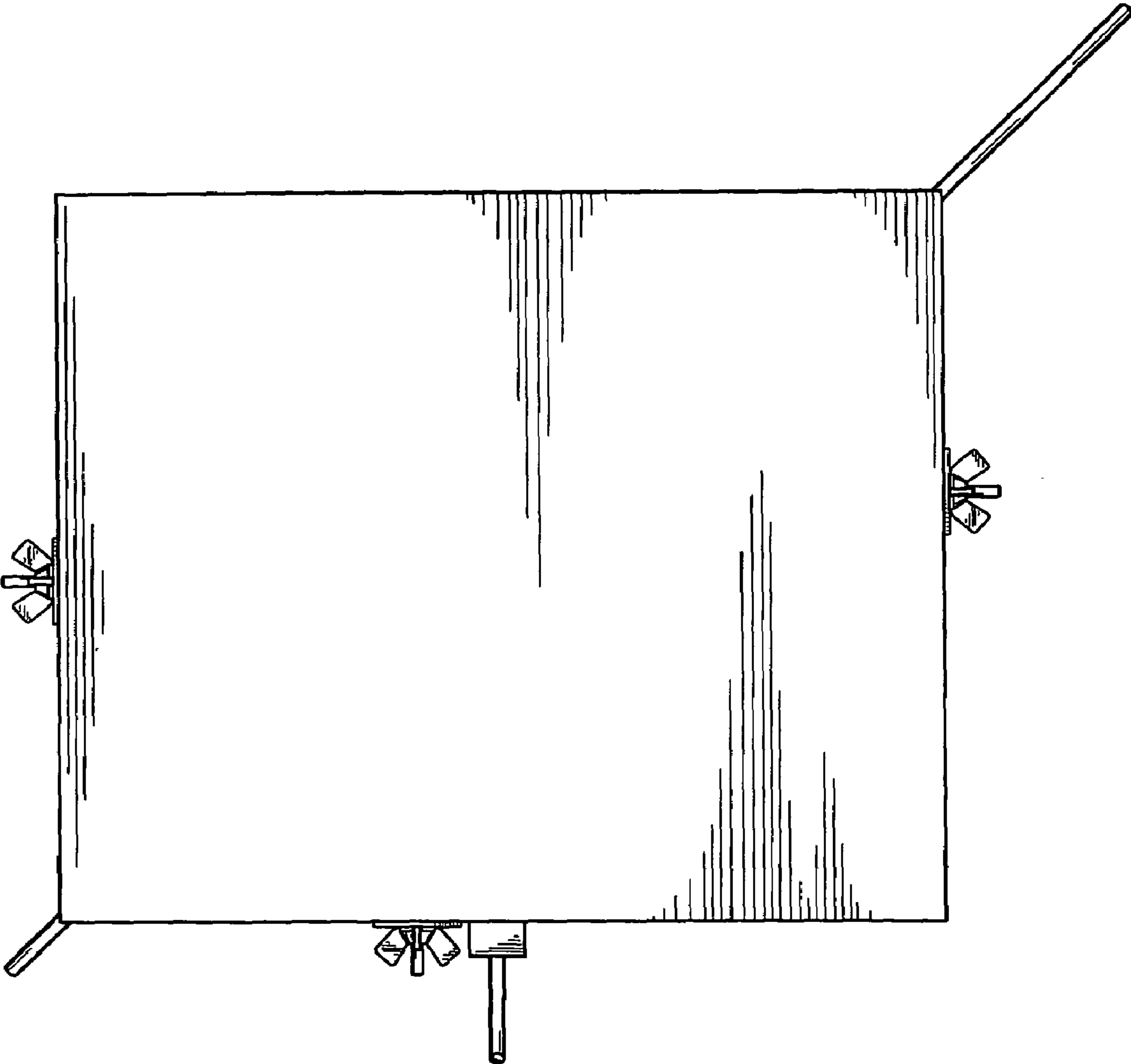


Fig. 7

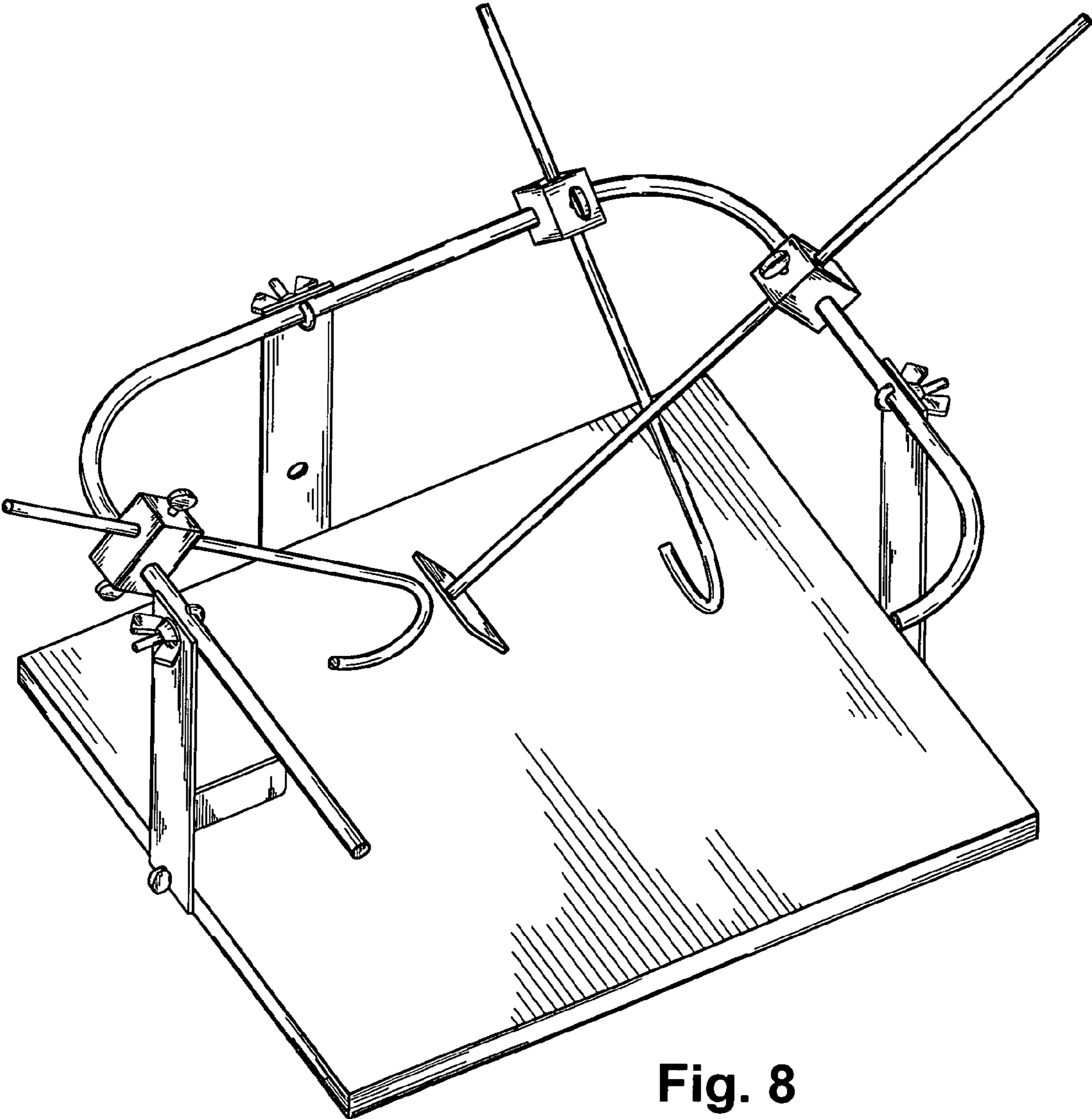


Fig. 8