



US00D552170S

(12) **United States Design Patent**
Kim et al.

(10) **Patent No.:** **US D552,170 S**
(45) **Date of Patent:** **** Oct. 2, 2007**

(54) **LASER PRINTER**

2007/0014620 A1* 1/2007 Sugimoto 400/691

(75) Inventors: **Hee-Yul Kim**, Seoul (KR); **Tae-Kung Park**, Seoul (KR); **Yun-Gi Hong**, Seoul (KR); **Bong-Uk Lim**, Seoul (KR)

(73) Assignee: **Samsung Electronics Co., Ltd.**, Kyunggi-do (KR)

(**) Term: **14 Years**

(21) Appl. No.: **29/256,402**

(22) Filed: **Mar. 20, 2006**

(51) **LOC (8) Cl.** **14-02**

(52) **U.S. Cl.** **D18/55**

(58) **Field of Classification Search** D18/36-39, D18/50-54, 54.1, 55; D14/420-425, 462-470; D16/237, 246-248; 399/107; 400/613, 400/613.1-613.4, 690.1-690.4, 691-694
See application file for complete search history.

(56) **References Cited**

U.S. PATENT DOCUMENTS

- D325,744 S * 4/1992 Tokuda D18/55
- D326,867 S 6/1992 Kwak
- D359,506 S 6/1995 Lee
- D378,218 S 2/1997 Hong et al.
- D379,196 S * 5/1997 Laidlaw D18/55
- D412,182 S * 7/1999 Miyazawa D18/55
- D412,933 S * 8/1999 Laidlaw D18/55
- D432,564 S * 10/2000 Miyazawa D18/54
- D436,987 S * 1/2001 Suzuki et al. D18/55
- D456,445 S * 4/2002 Kusanagi D18/55
- 6,612,763 B1 * 9/2003 Yoshihara 400/692
- 6,975,814 B2 * 12/2005 Tsusaka et al. 399/107
- D523,071 S * 6/2006 Katayama et al. D18/50
- D527,045 S * 8/2006 Lim et al. D18/50
- D535,325 S * 1/2007 Yamaguchi D18/55
- 2004/0131378 A1 * 7/2004 Hattori et al. 399/107

OTHER PUBLICATIONS

- U.S. Appl. No. 29/231,928, Applicant: Bong-Uk Lim, et al., filed Jun. 10, 2005 entitled Laser Printer, now D530,737.
- U.S. Appl. No. 29/231,926, Applicant: Bong-Uk Lim, et al., filed Jun. 10, 2005 entitled Laser Complex, now D536,372.
- U.S. Appl. No. 29/231,929, Applicant: Bong-Uk Lim, et al., filed Jun. 10, 2005 entitled Laser Printer, now D527,045.
- U.S. Appl. No. 29/236,963, Applicant: Gyeong-Sun Park, et al., filed Aug. 24, 2005 entitled Laser Printer, now D532,043.
- U.S. Appl. No. 29/256,401, Applicant: Tae-Kung Park, et al., filed Mar. 20, 2006 entitled Laser Complex, pending.
- U.S. Appl. No. 29/256,397, Applicant: Tae-Kung Park, et al., filed Mar. 20, 2006 entitled Laser Complex, pending.
- U.S. Appl. No. 29/256,402, Applicant: Hee-Yul Kim, et al., filed Mar. 20, 2006 entitled Laser Printer, pending.

* cited by examiner

Primary Examiner—Cathy Anne MacCormac
(74) *Attorney, Agent, or Firm*—Flynn, Thiel, Boutell & Tanis, P.C.

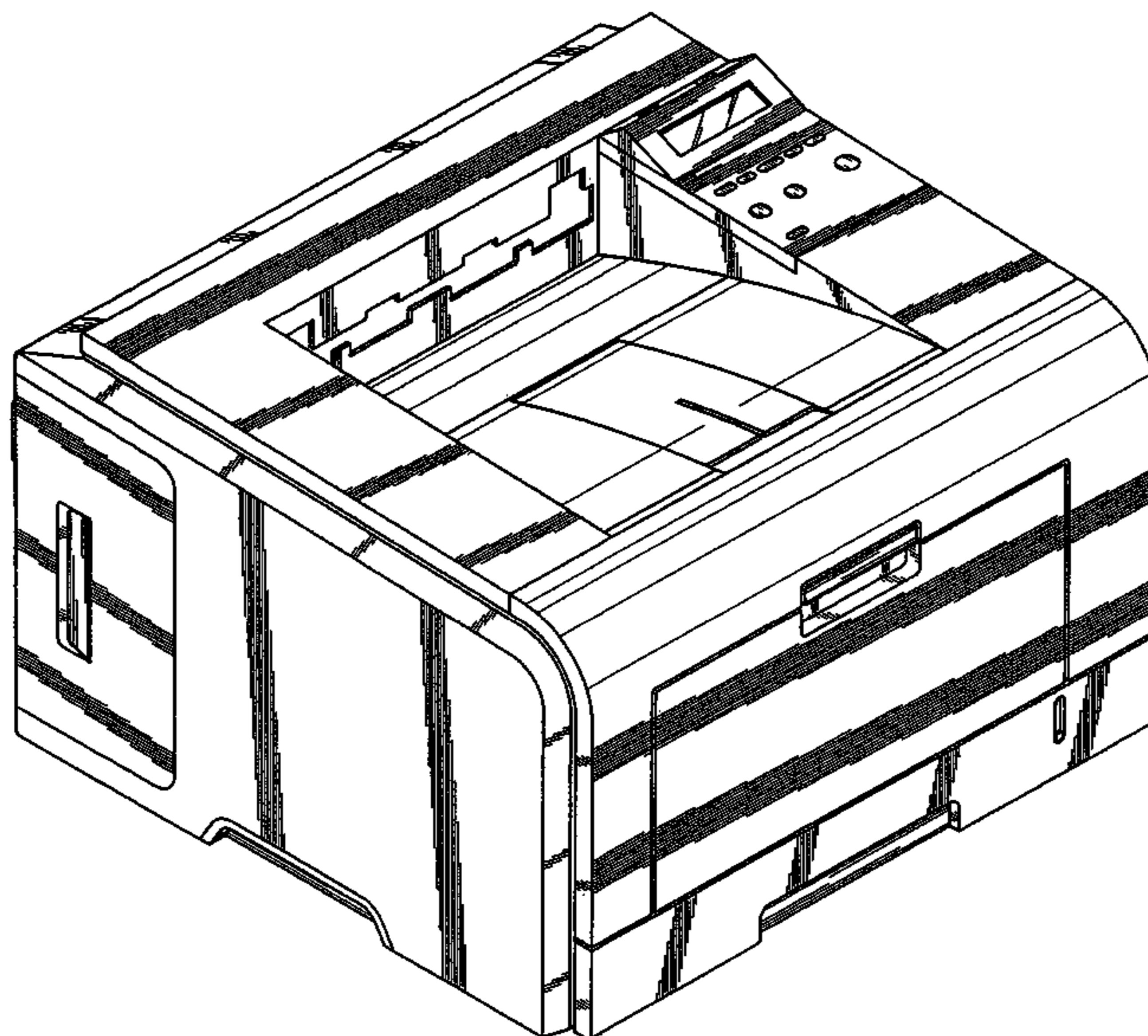
(57) **CLAIM**

The ornamental design for a laser printer, as shown and described.

DESCRIPTION

- FIG. 1 is a top front perspective view of a laser printer showing our new design;
- FIG. 2 is a front elevational view thereof;
- FIG. 3 is a rear elevational view thereof;
- FIG. 4 is a left side elevational view thereof;
- FIG. 5 is a right side elevational view thereof;
- FIG. 6 is a top plan view thereof; and,
- FIG. 7 is a bottom plan view thereof.

1 Claim, 4 Drawing Sheets



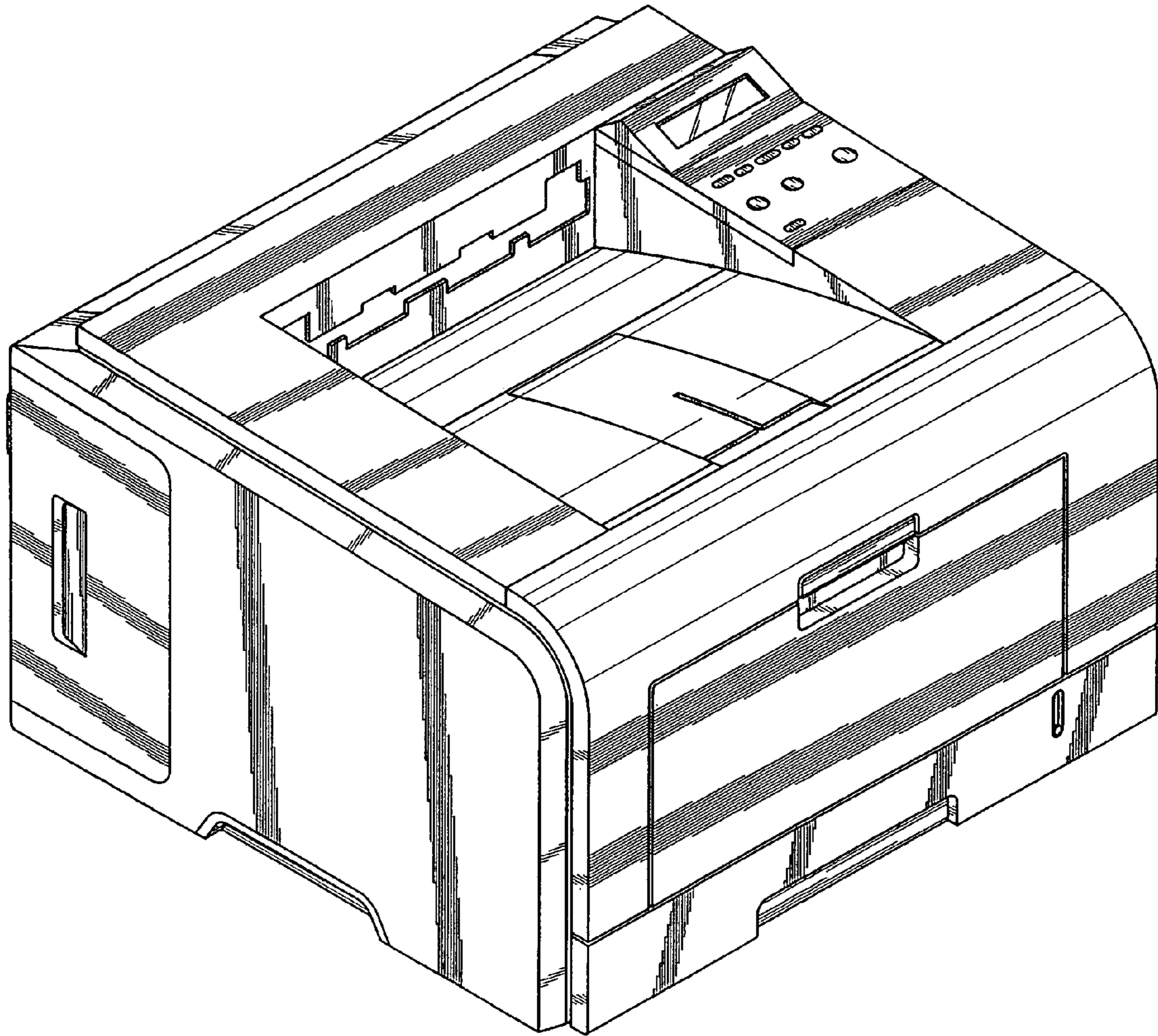


FIG. 1

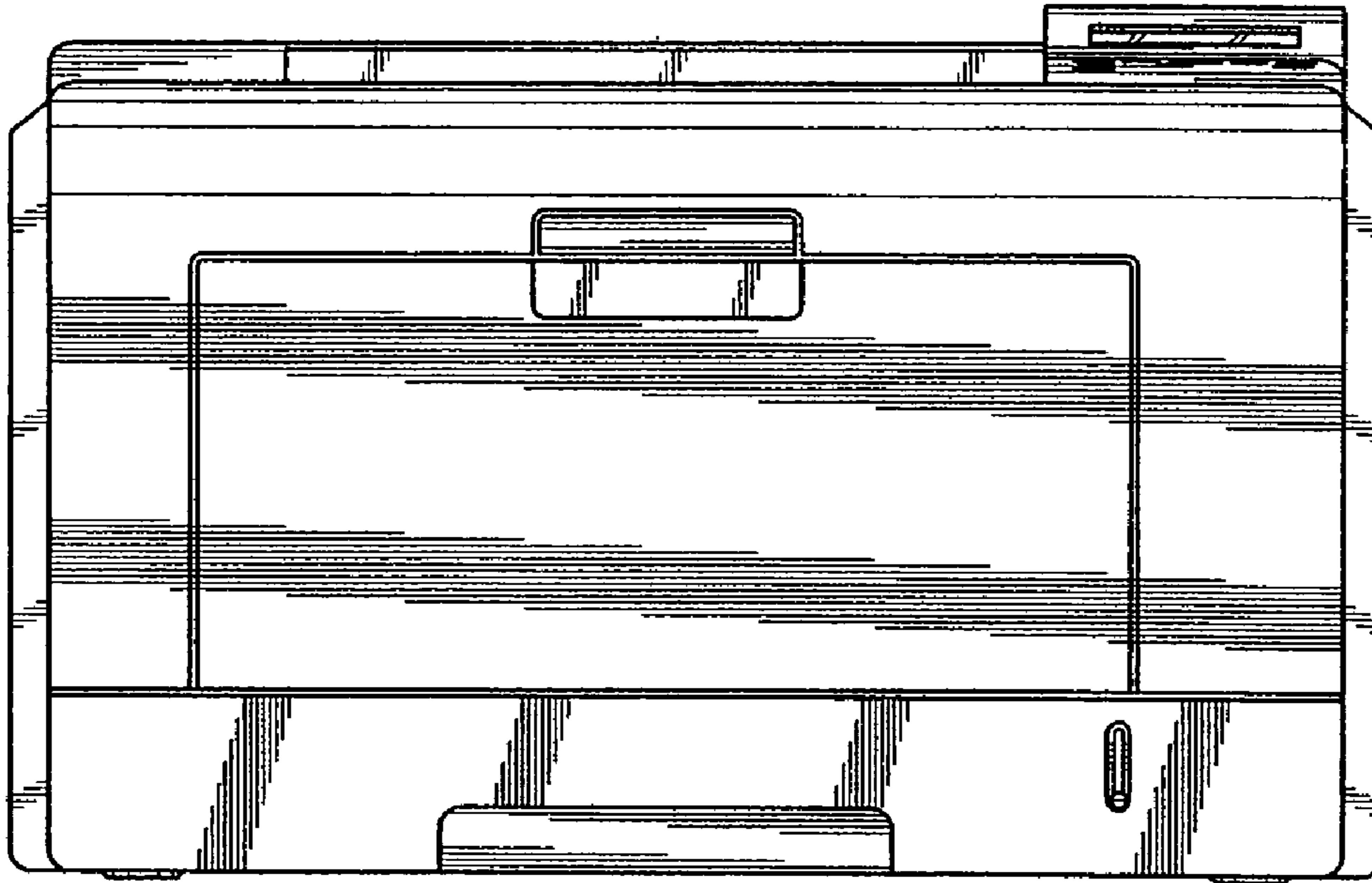


FIG. 2

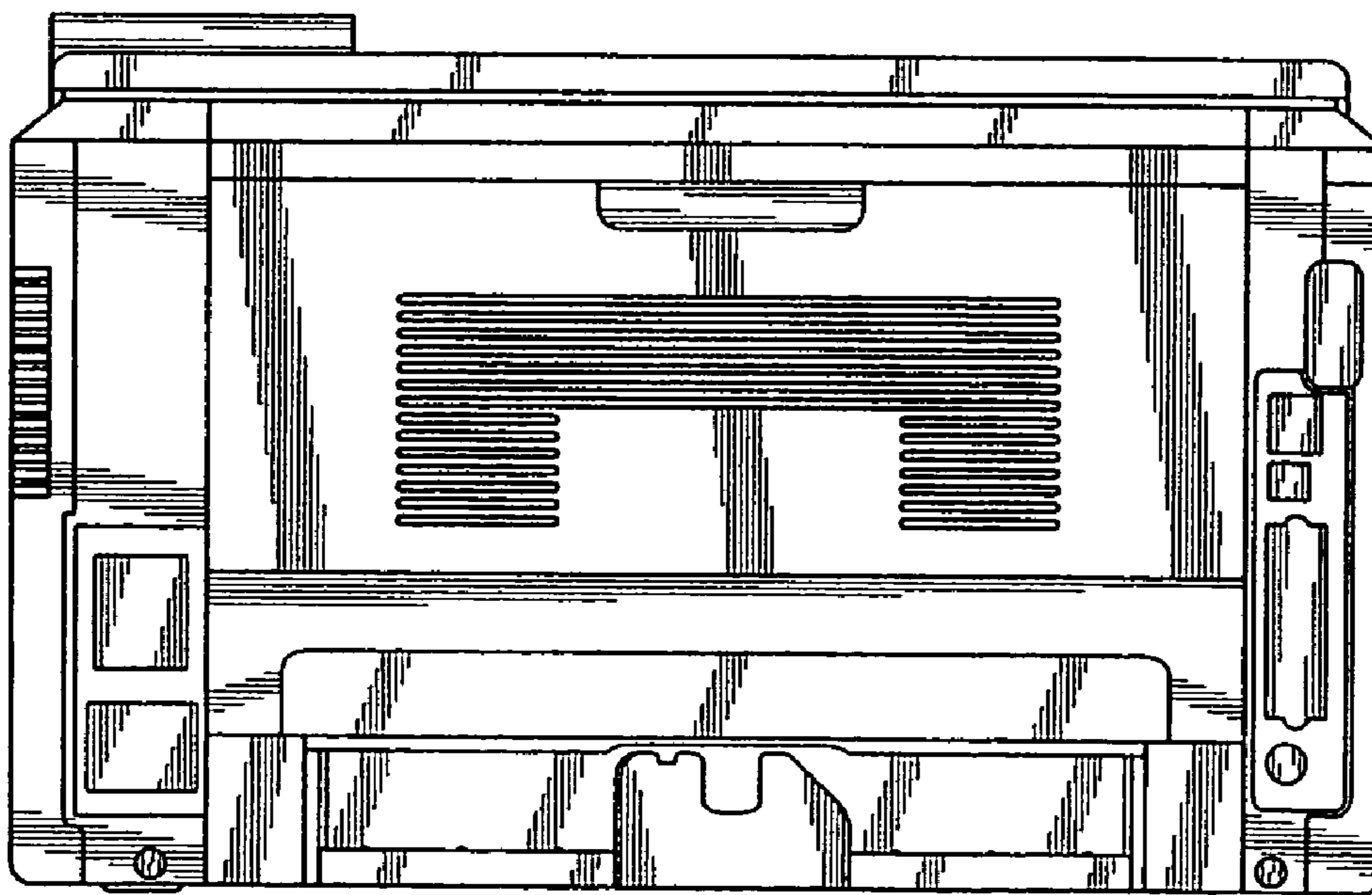


FIG. 3

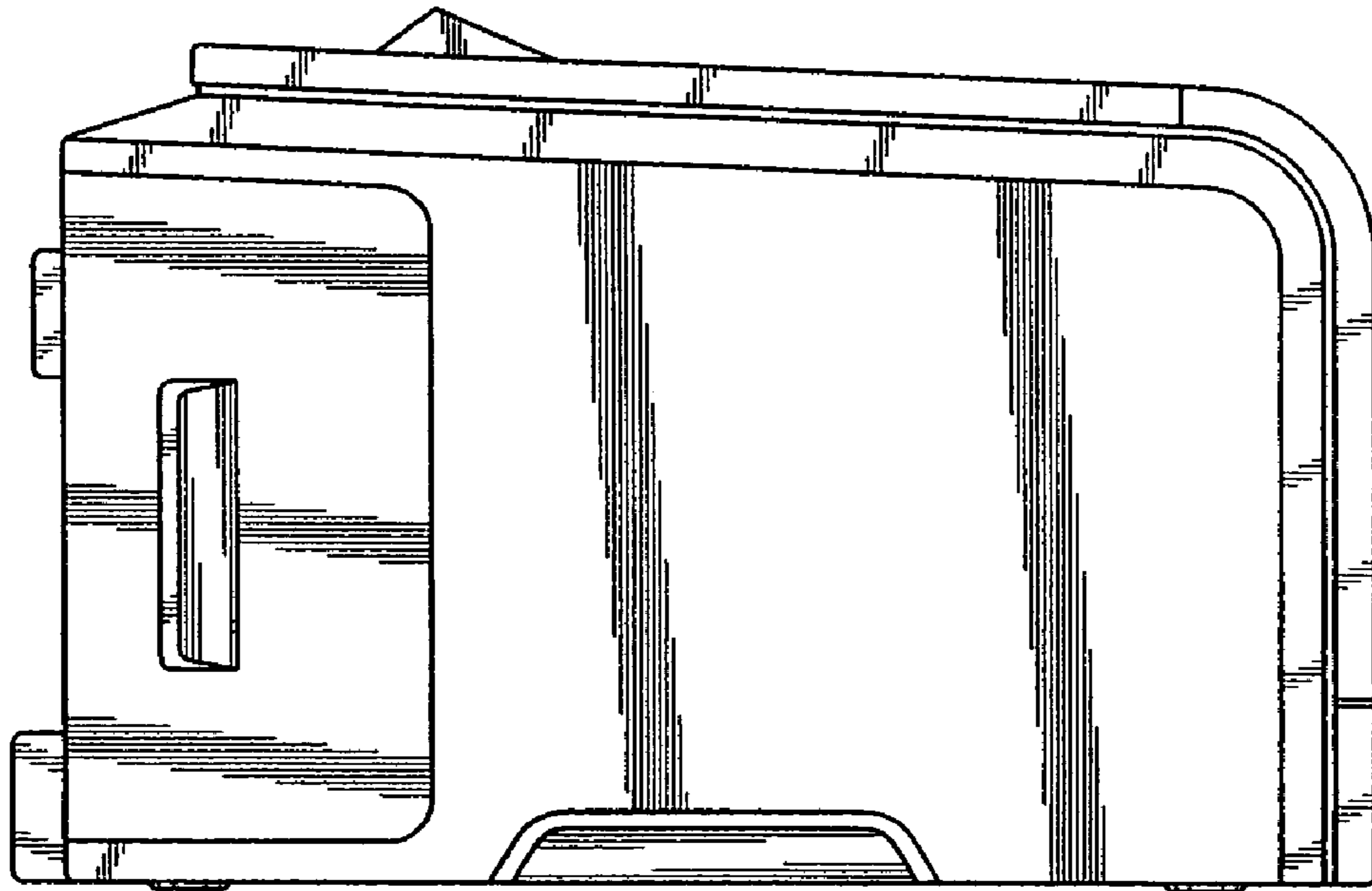


FIG. 4

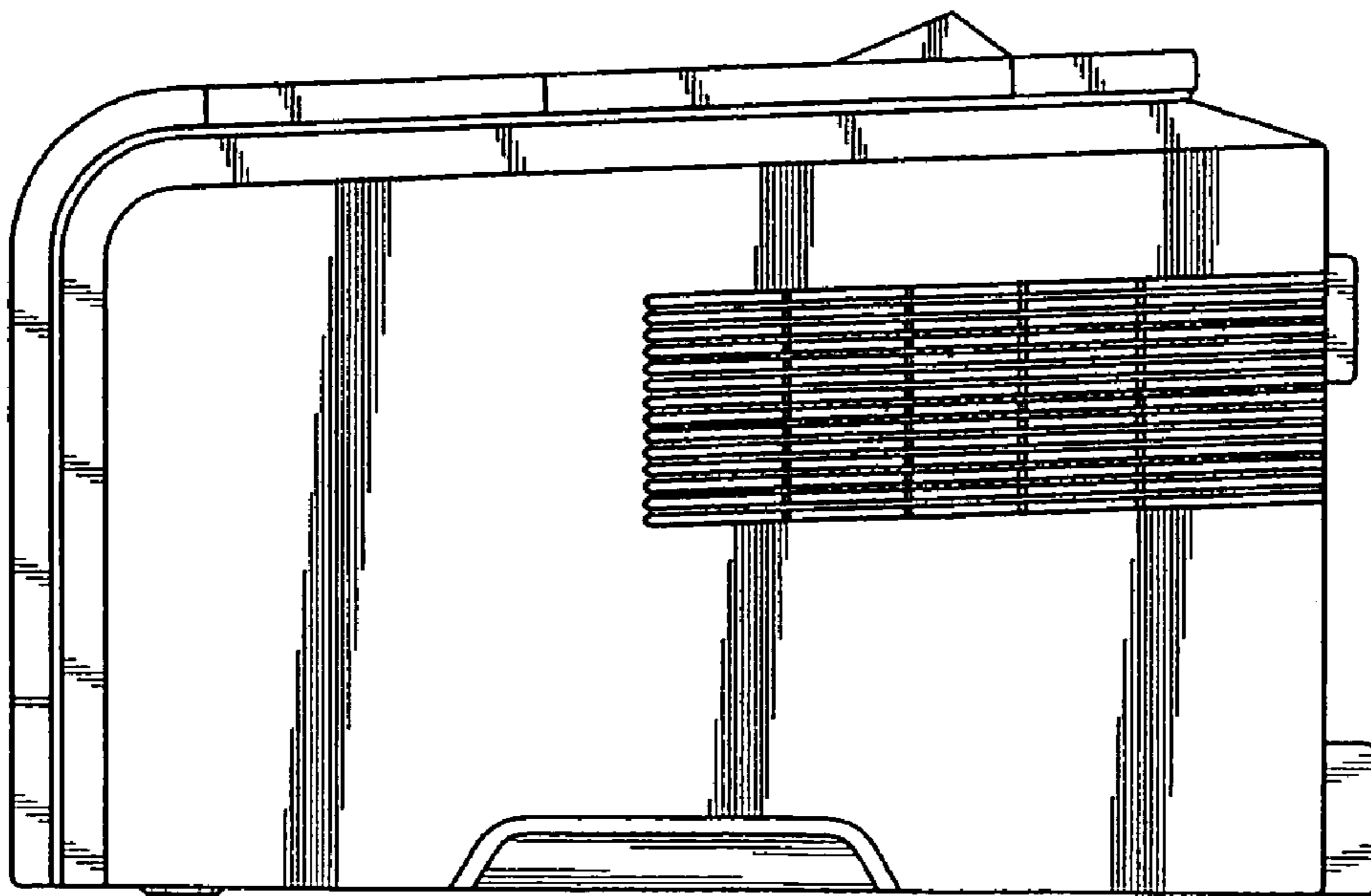


FIG. 5

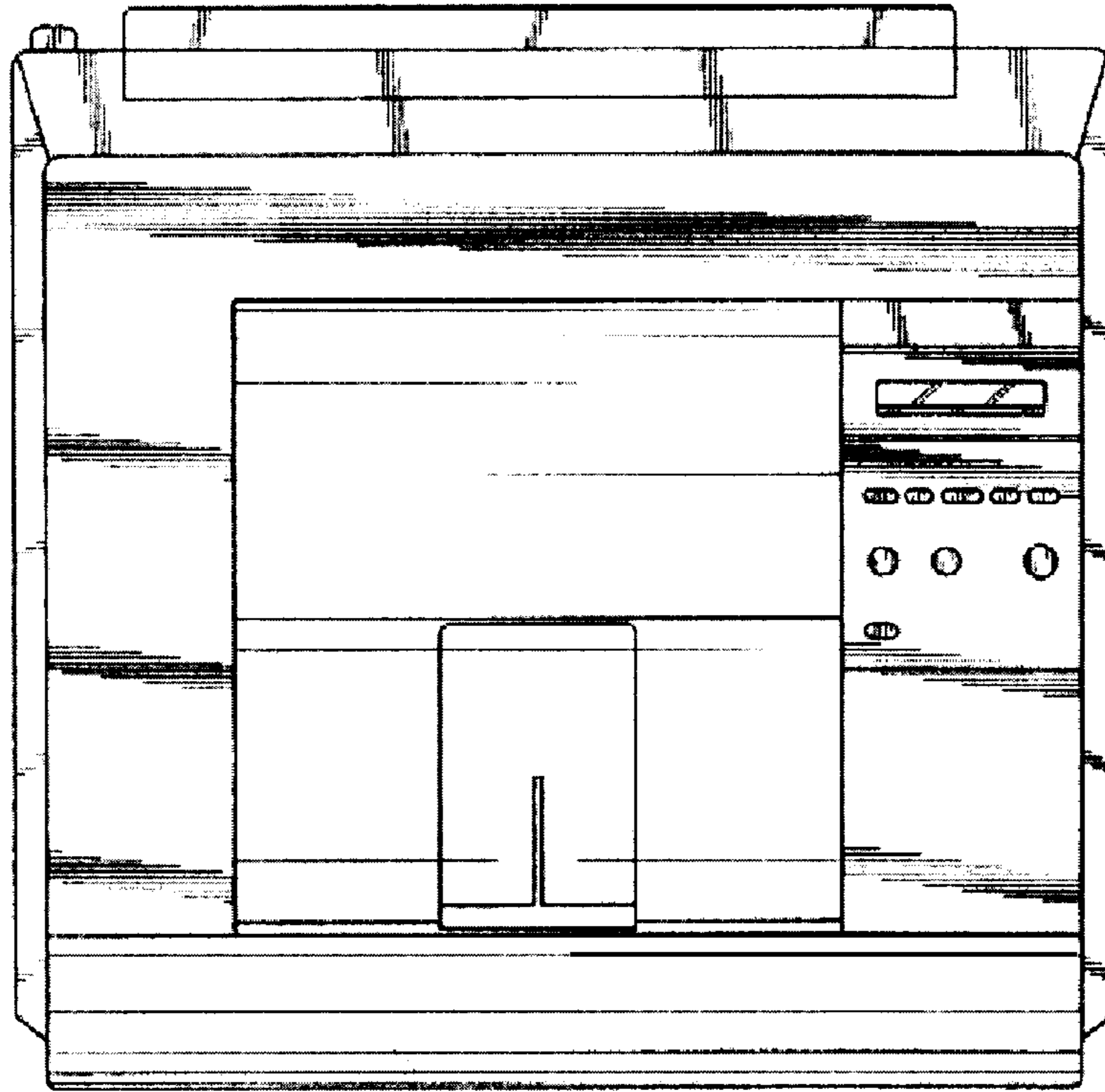


FIG. 6

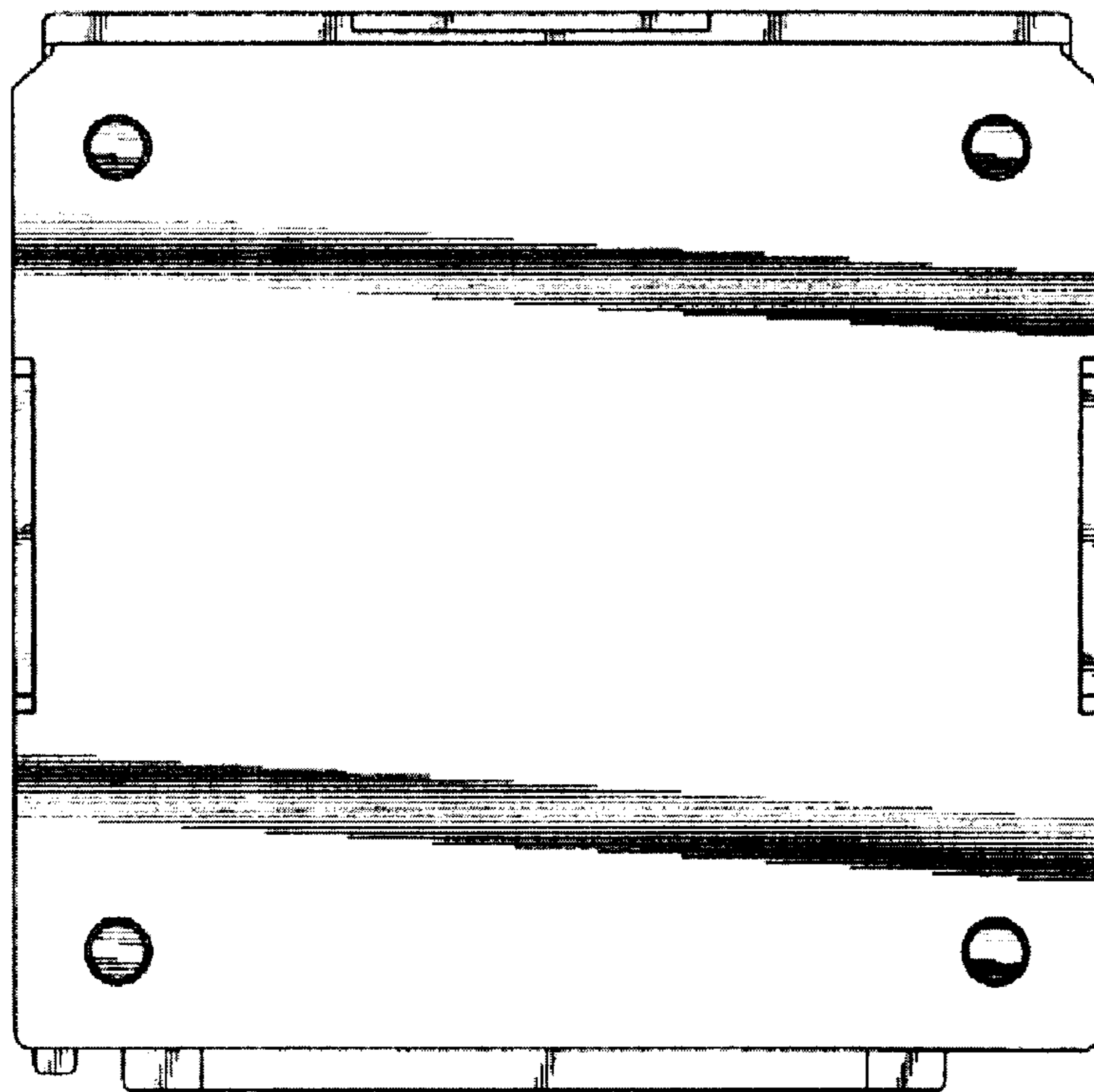


FIG. 7