



US00D552169S

(12) **United States Design Patent**  
**Egami et al.**

(10) **Patent No.:** **US D552,169 S**  
(45) **Date of Patent:** **\*\* Oct. 2, 2007**

(54) **PRINTER**

(75) Inventors: **Keiichiro Egami**, Nagoya (JP); **Yosuke Mase**, Chita-gun (JP)

(73) Assignee: **Brother Industries, Ltd.**, Nagoya (JP)

(\*\*) Term: **14 Years**

(21) Appl. No.: **29/266,315**

(22) Filed: **Sep. 19, 2006**

(30) **Foreign Application Priority Data**

Mar. 28, 2006 (JP) ..... 2006-007883

(51) **LOC (8) Cl.** ..... **18-02**

(52) **U.S. Cl.** ..... **D18/50**

(58) **Field of Classification Search** ..... D18/56,  
D18/55, 50, 4.3, 12.3, 36-41, 43, 44, 46-49,  
D18/14, 18, 21, 51, 54, 54.1, 58, 34.1, 34.9,  
D18/35, 35.1, 99, 59, 53; D16/246-248;  
D14/420-425, 462-470; 399/107

See application file for complete search history.

(56) **References Cited**

**U.S. PATENT DOCUMENTS**

D155,888 S \* 11/1949 Gordenier ..... D19/92  
D295,856 S \* 5/1988 Hara ..... D18/54

D524,364 S \* 7/2006 Larson et al. .... D18/55  
D528,415 S \* 9/2006 Tuddenham ..... D9/434  
D529,951 S \* 10/2006 Katayama et al. .... D18/53

\* cited by examiner

*Primary Examiner*—Louis S. Zarfes

*Assistant Examiner*—Anna Dworzecka

(74) *Attorney, Agent, or Firm*—Oliff & Berridge, PLC

(57) **CLAIM**

The ornamental design for a printer, as shown and described.

**DESCRIPTION**

FIG. 1 is a perspective view of a printer;

FIG. 2 is a front view thereof;

FIG. 3 is a top view thereof;

FIG. 4 is a right-side view thereof;

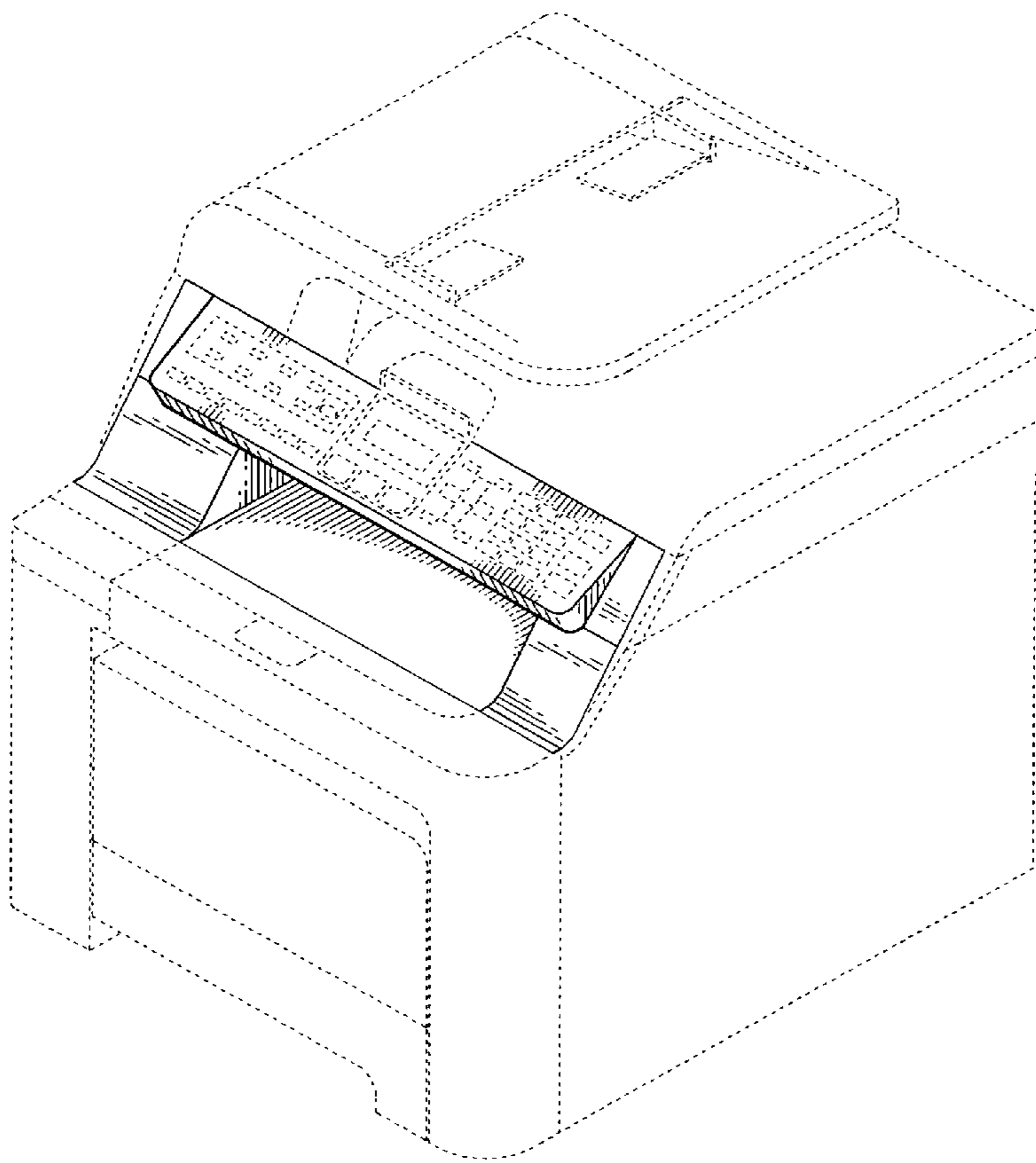
FIG. 5 is a left-side view thereof;

FIG. 6 is a cross-sectional view thereof taken along the line 6-6 of FIG. 3; and,

FIG. 7 is a cross-sectional view thereof taken along the line 7-7 of FIG. 3.

The broken lines are for illustrative purposes only and form no part of the claimed design.

**1 Claim, 6 Drawing Sheets**



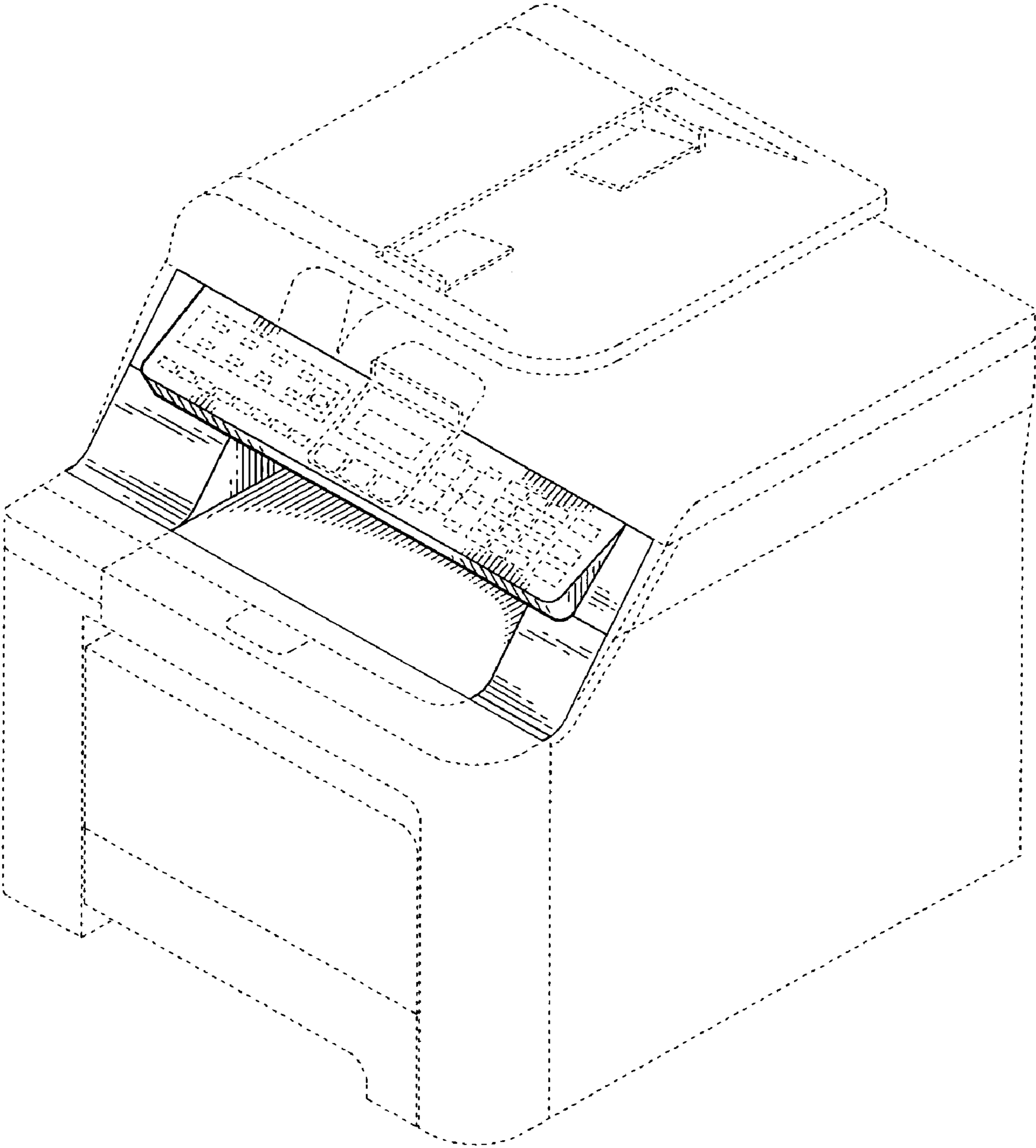


FIG. 1

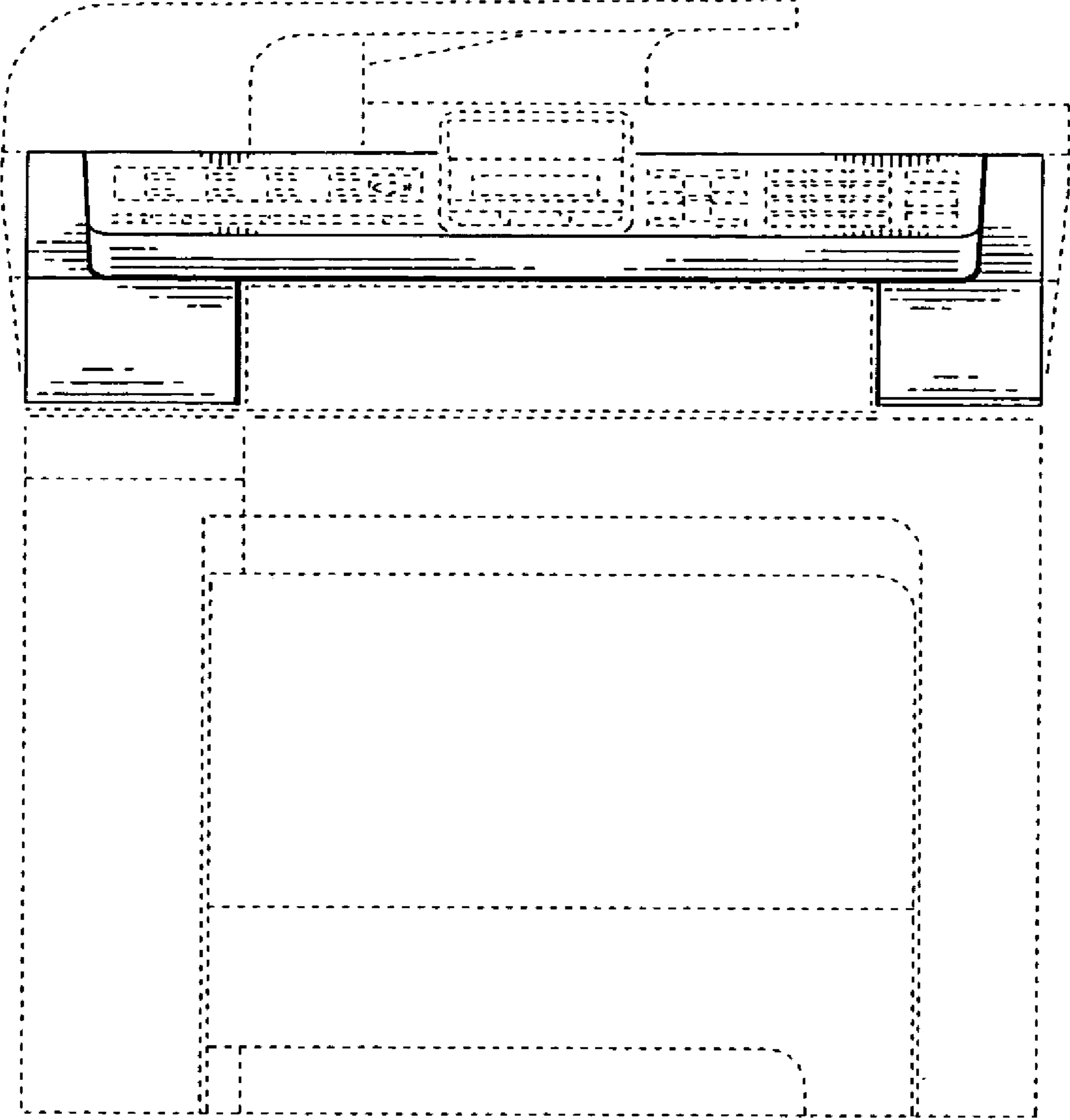


FIG. 2

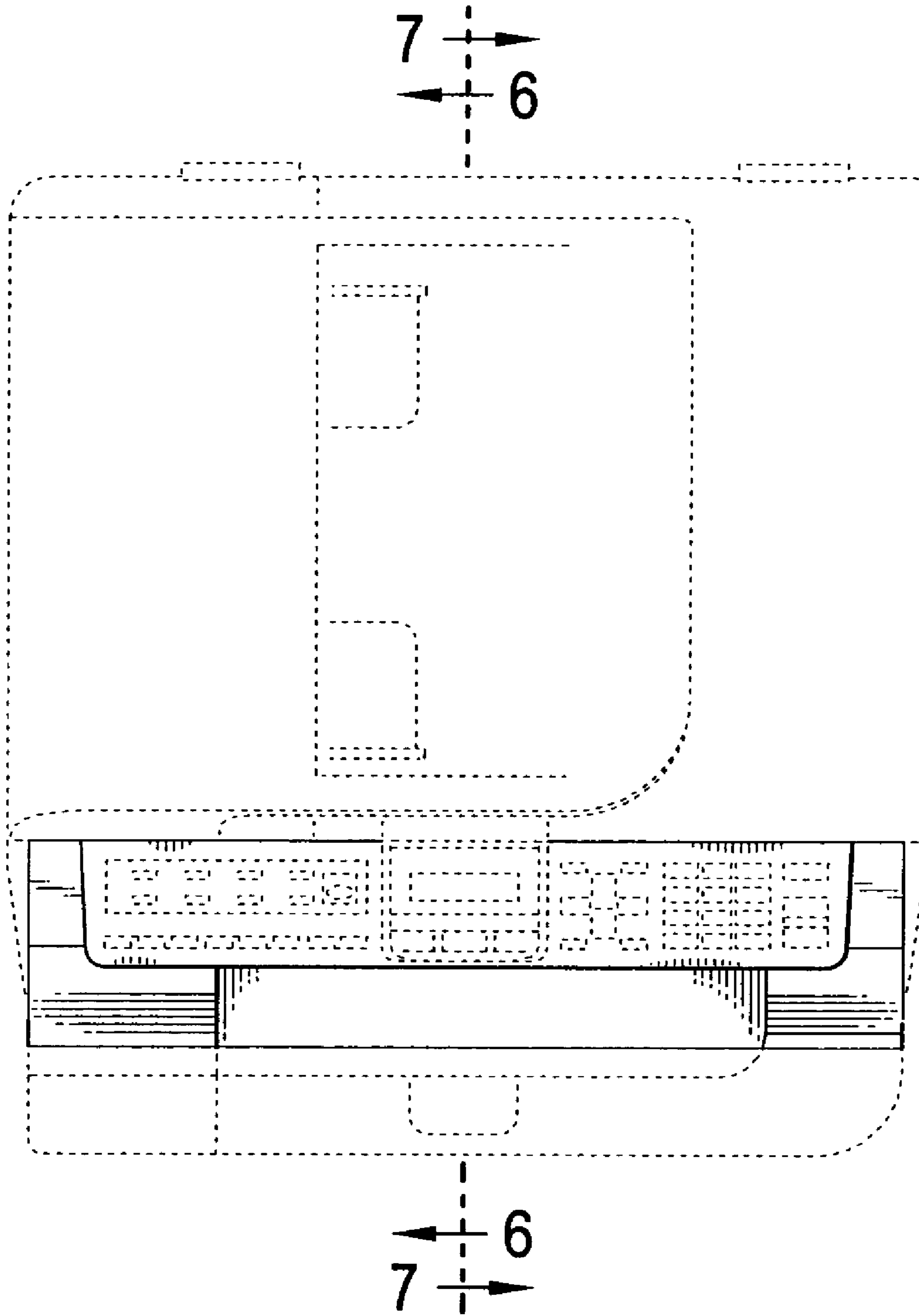


FIG. 3

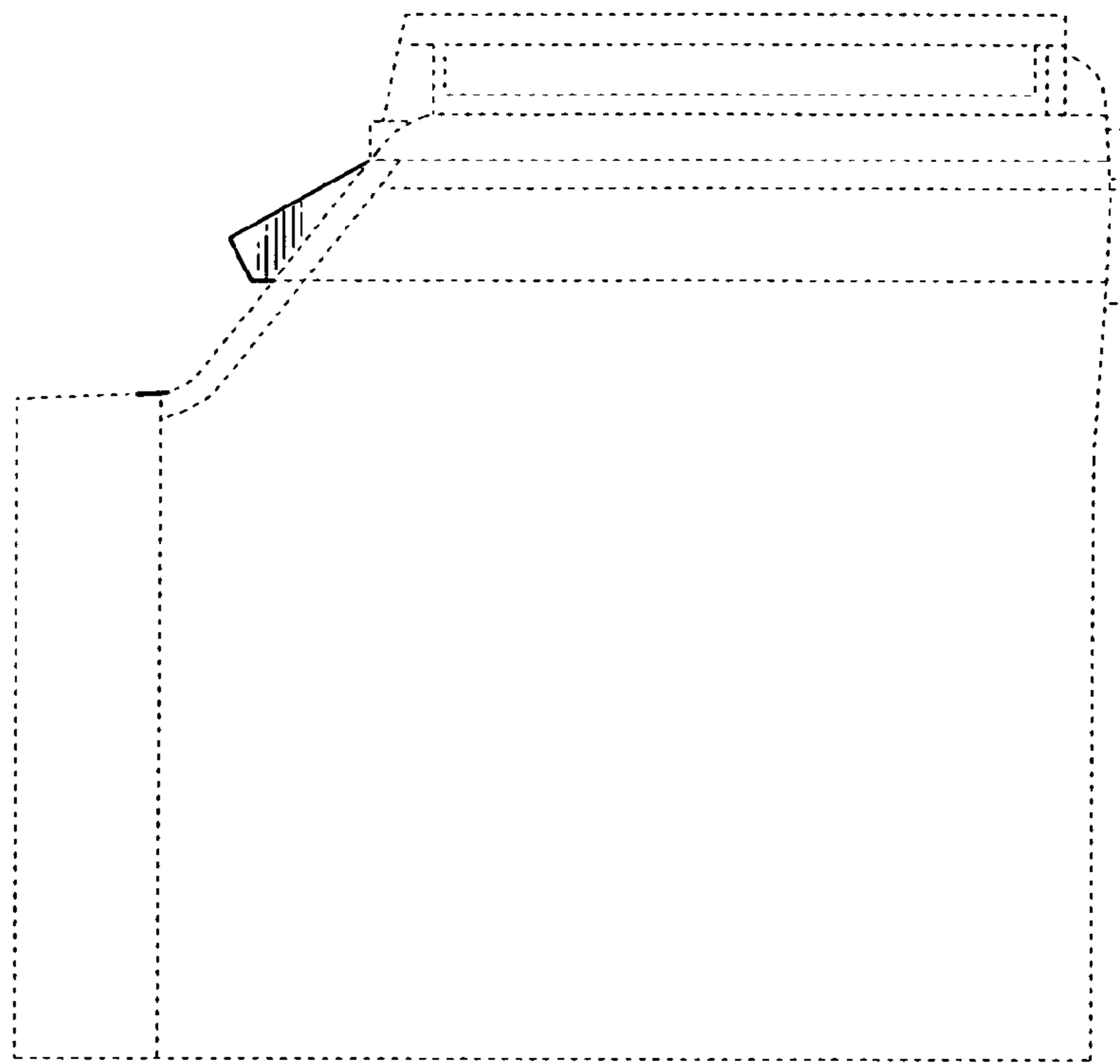


FIG. 4

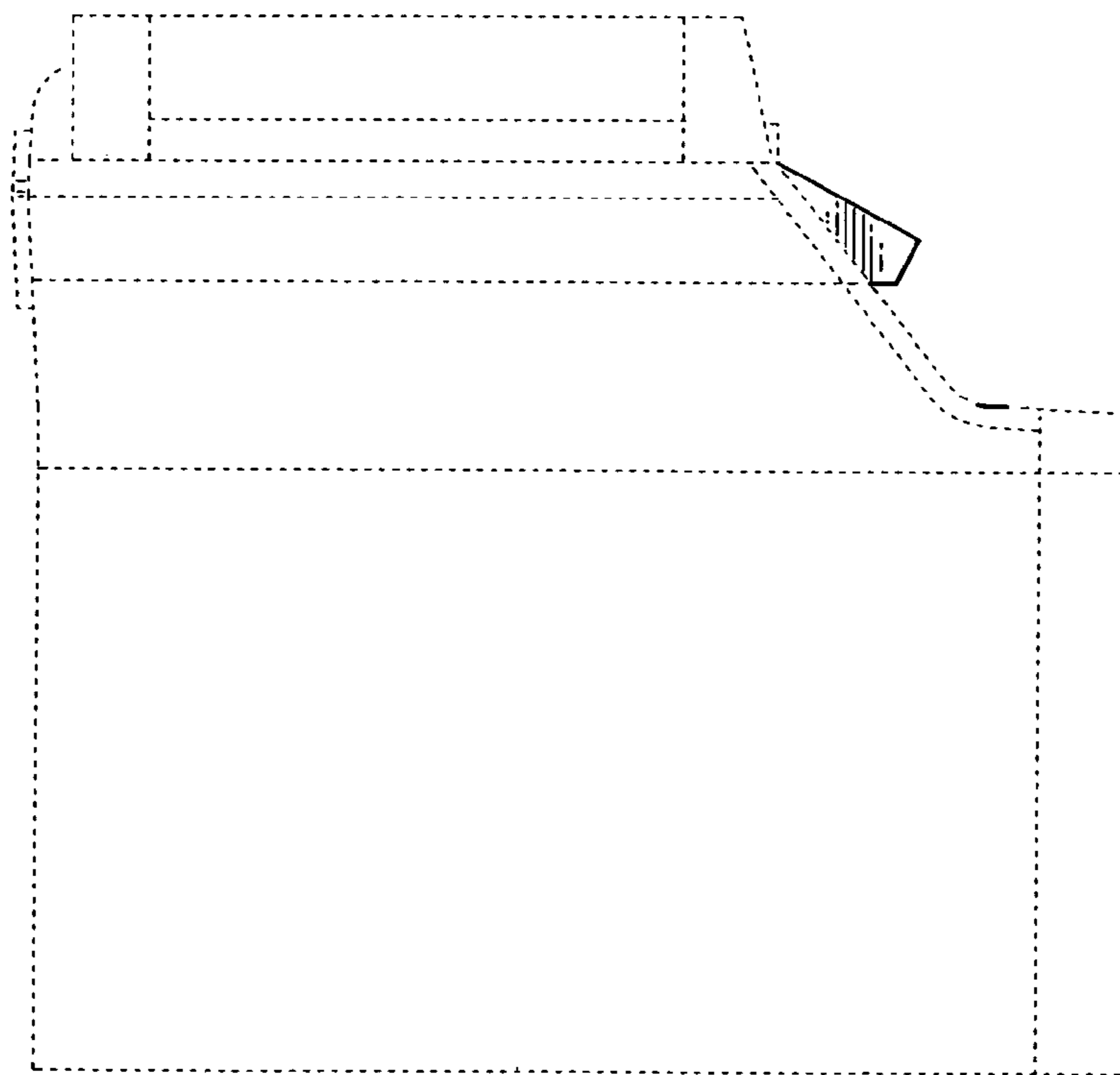


FIG. 5

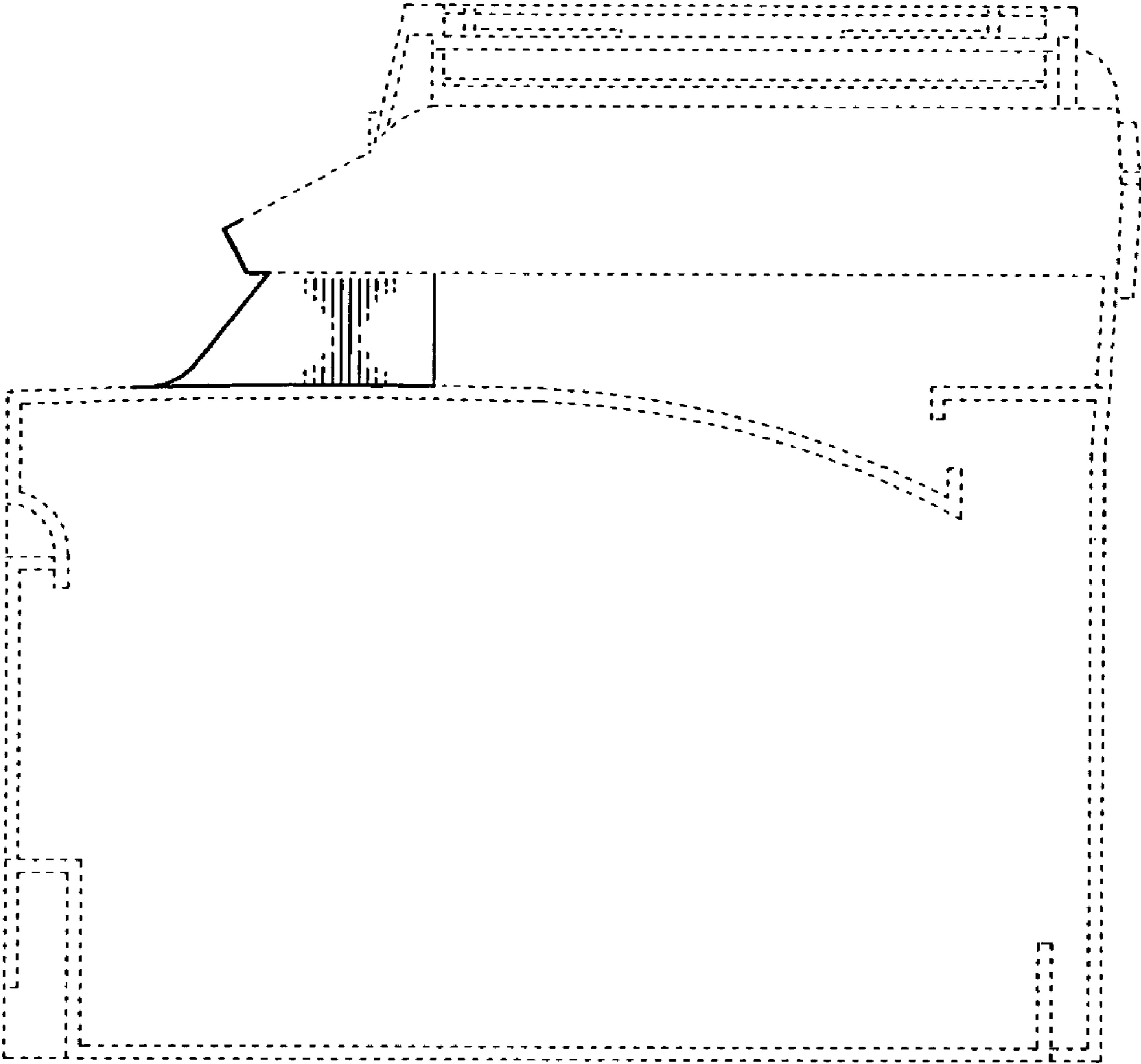


FIG. 6

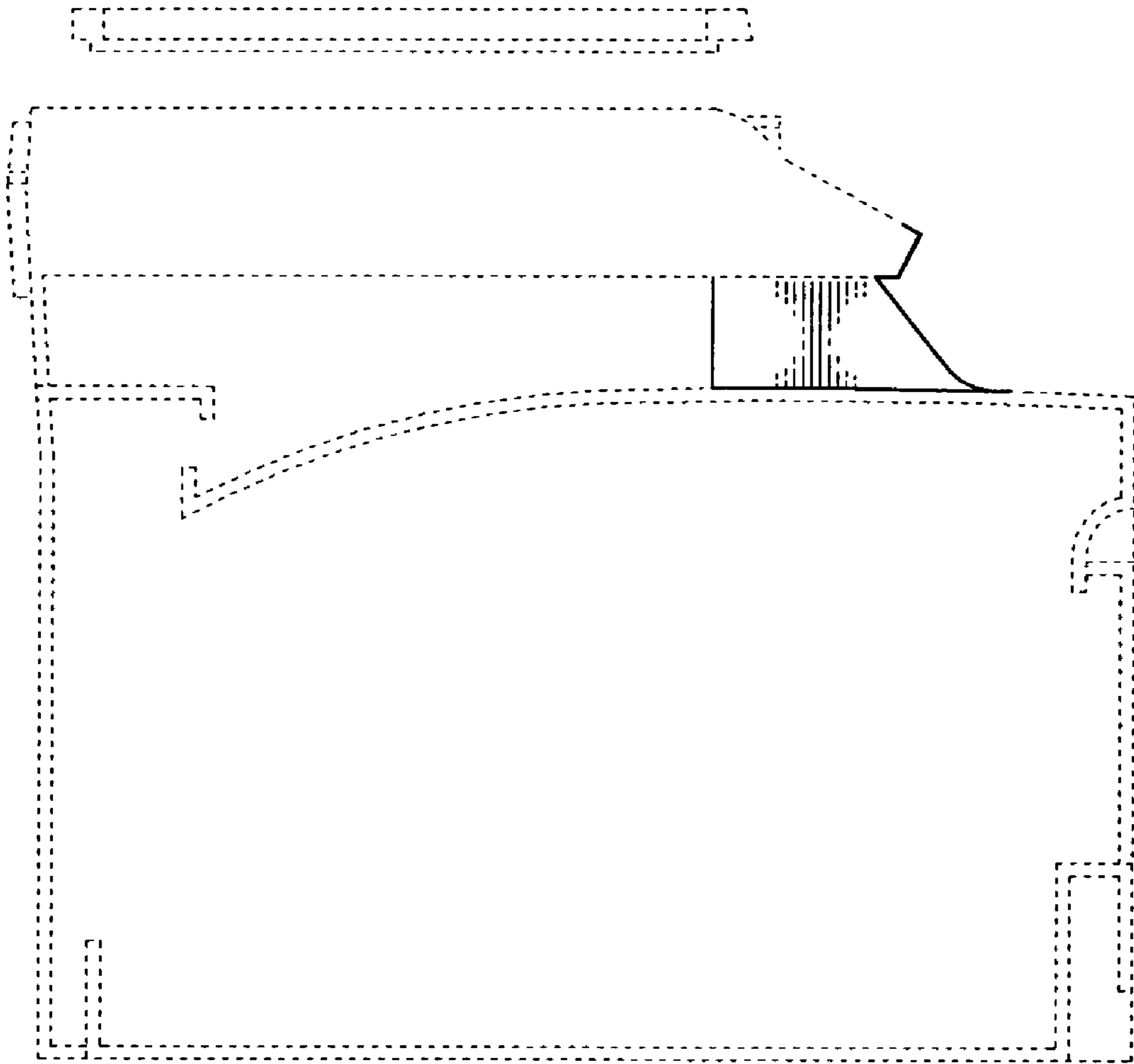


FIG. 7