



US00D552168S

(12) **United States Design Patent**
Egami et al.

(10) **Patent No.:** **US D552,168 S**

(45) **Date of Patent:** **** Oct. 2, 2007**

(54) **PRINTER**

2002/0110384 A1* 8/2002 Kabumoto et al. 399/107
2007/0041763 A1* 2/2007 Yoneda 399/393

(75) Inventors: **Keiichiro Egami**, Nagoya (JP); **Yosuke Mase**, Chita-gun (JP)

* cited by examiner

(73) Assignee: **Brother Industries, Ltd.**, Nagoya (JP)

Primary Examiner—Louis S. Zarfaz

Assistant Examiner—Anna Dworzecka

(**) Term: **14 Years**

(74) *Attorney, Agent, or Firm*—Oliff & Berridge, PLC

(21) Appl. No.: **29/266,314**

(57) **CLAIM**

(22) Filed: **Sep. 19, 2006**

The ornamental design for a printer, as shown and described.

(30) **Foreign Application Priority Data**

DESCRIPTION

Mar. 28, 2006 (JP) 2006-007881

FIG. 1 is a perspective view of a printer;

(51) **LOC (8) Cl.** **18-02**

FIG. 2 is a front view of thereof;

(52) **U.S. Cl.** **D18/50**

FIG. 3 is a top view thereof;

(58) **Field of Classification Search** D18/56,
D18/55, 50, 4.3, 12.3, 36-41, 43, 44, 46-49,
D18/14, 18, 21, 51, 54, 54.1, 58, 34.1, 34.9,
D18/35, 35.1, 99, 59, 53; D16/246-248;
D14/420-425, 462-470; 399/107

FIG. 4 is a right-side view thereof;

FIG. 5 is a rear view thereof;

See application file for complete search history.

FIG. 6 is a cross-sectional view thereof taken along the line 6-6 of FIG. 3;

FIG. 7 is a cross-sectional view thereof taken between the arrows A-A of FIG. 2 and along the line 7-7 of FIG. 3; and,

(56) **References Cited**

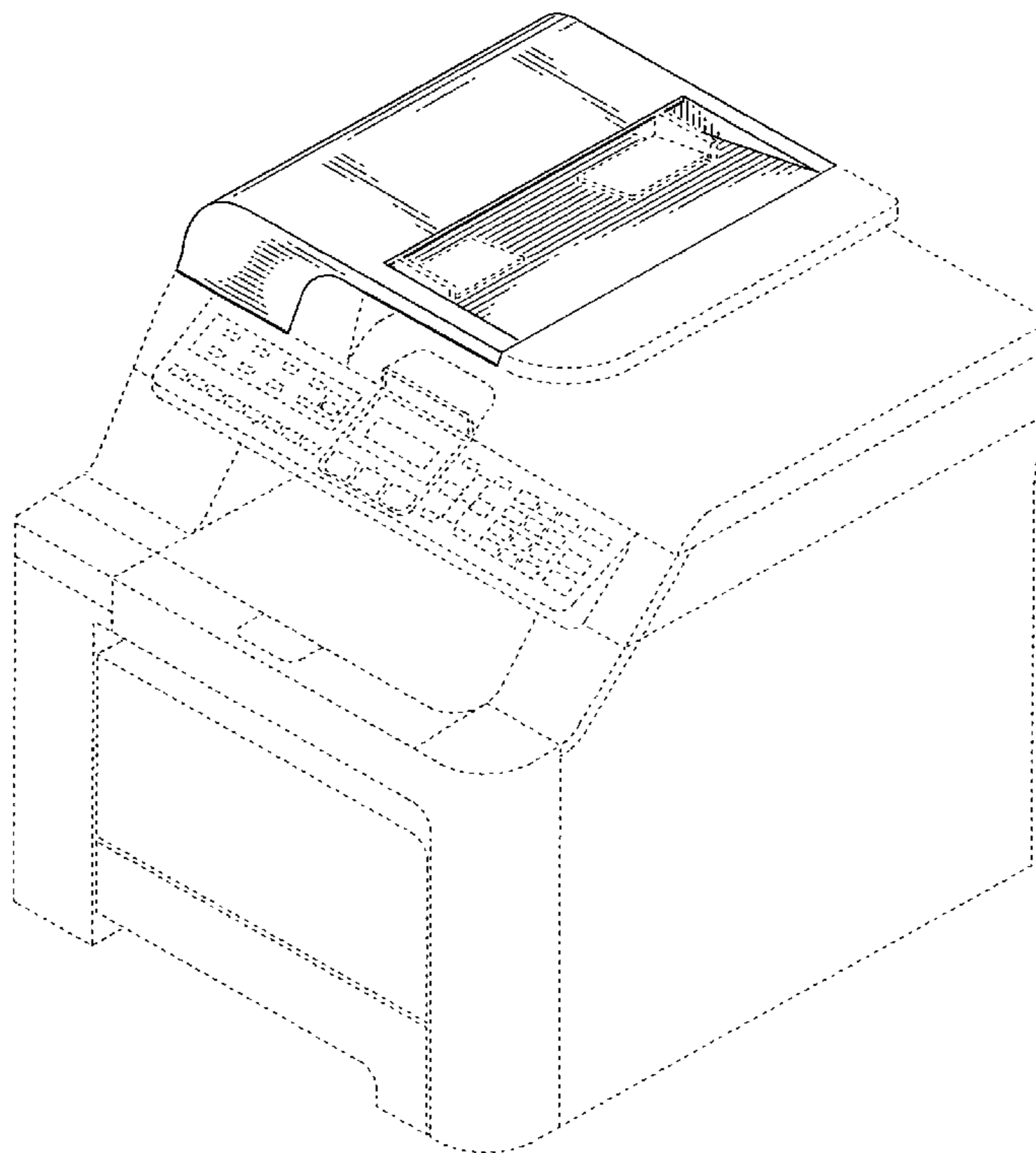
FIG. 8 is a cross-sectional view thereof taken between the arrows A-A of FIG. 2 and along the line 8-8 of FIG. 3.

U.S. PATENT DOCUMENTS

The broken lines are for illustrative purposes only and form no part of the claimed design.

5,434,660 A * 7/1995 Yoshida et al. 399/367
D529,951 S * 10/2006 Katayama et al. D18/53
D531,175 S * 10/2006 Moskaluk et al. D14/300
D534,175 S * 12/2006 Orihashi et al. D14/463
D539,283 S * 3/2007 McIntyre D14/425

1 Claim, 6 Drawing Sheets



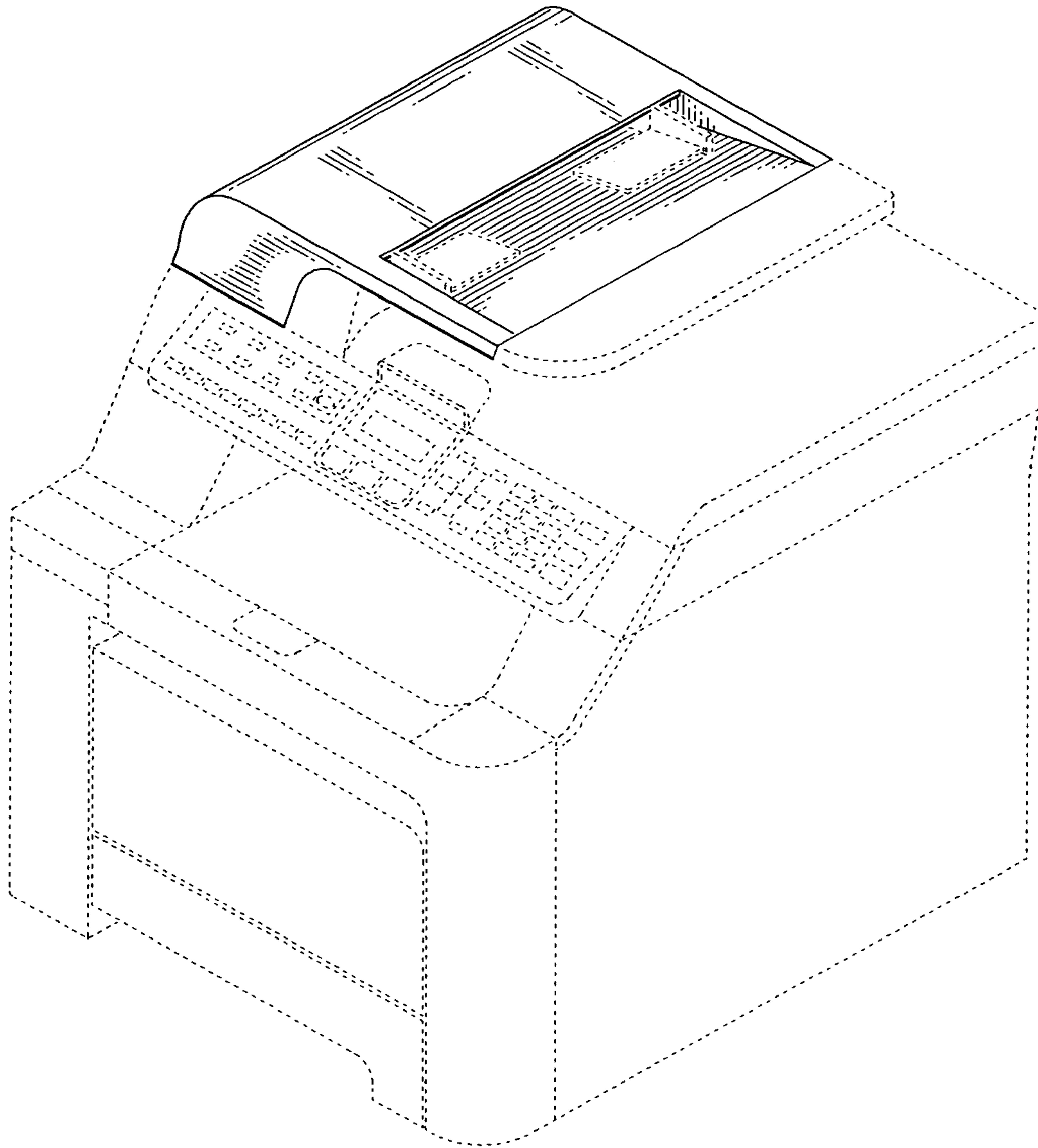


FIG. 1

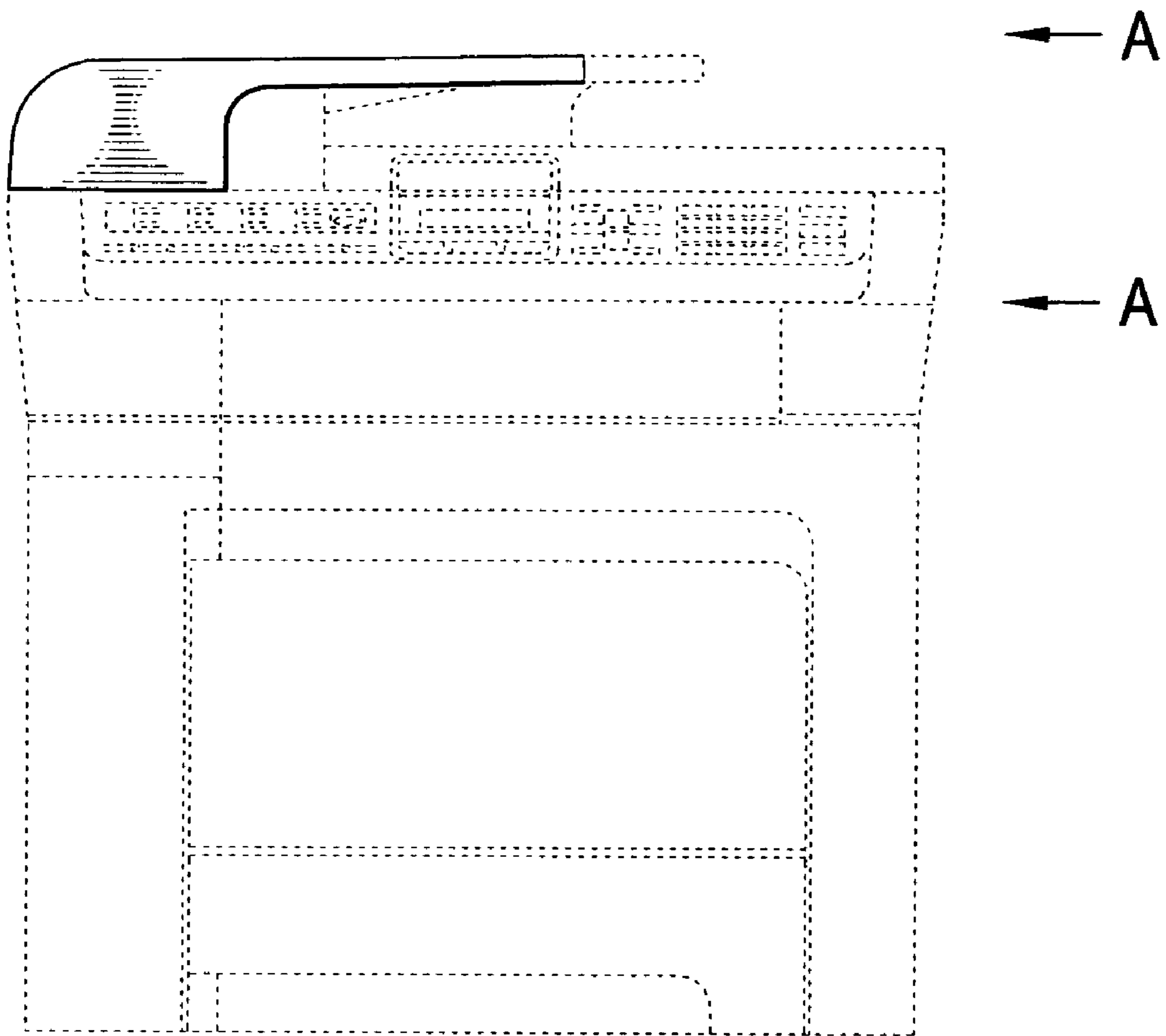


FIG. 2

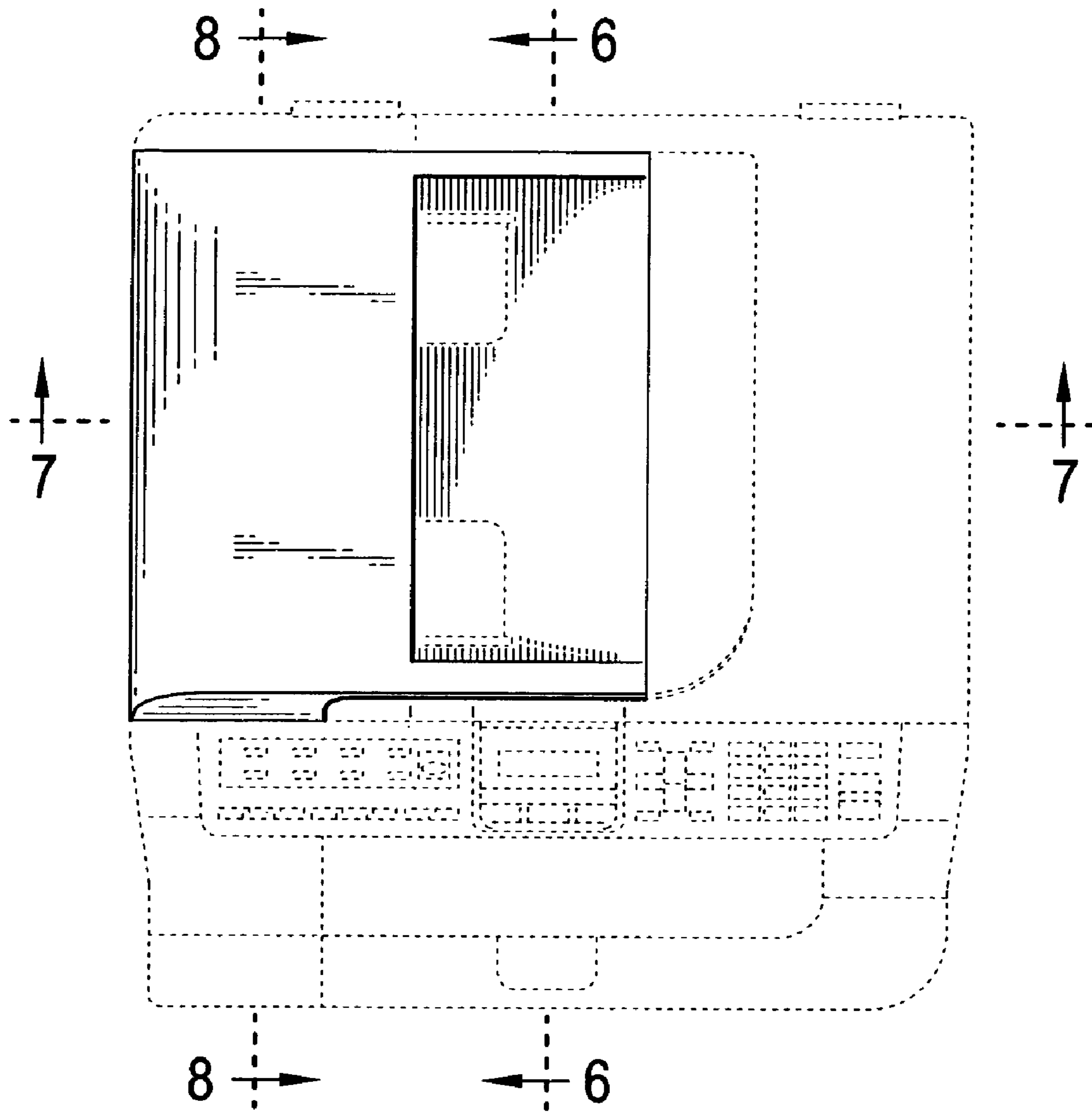


FIG. 3

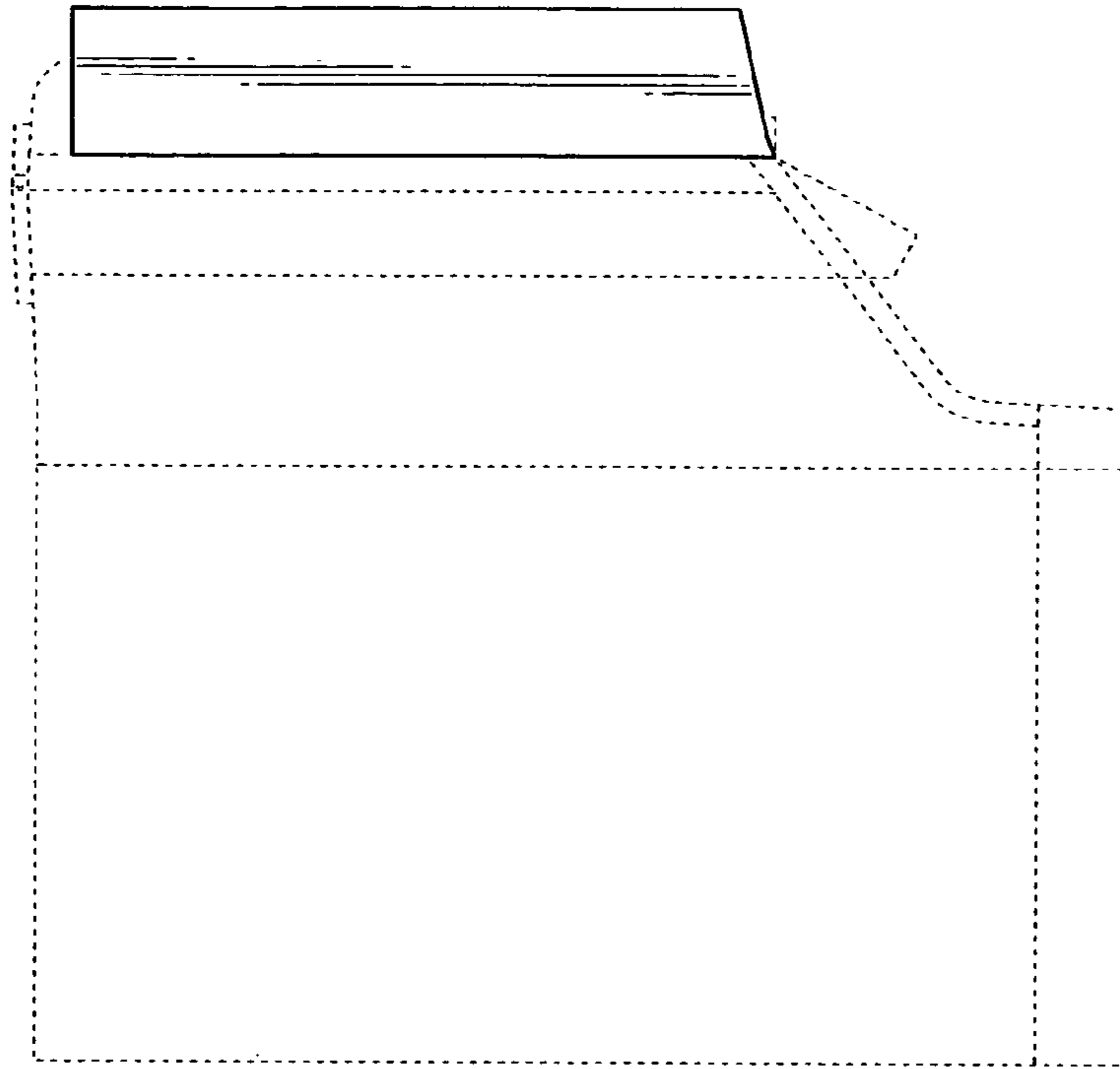


FIG. 4

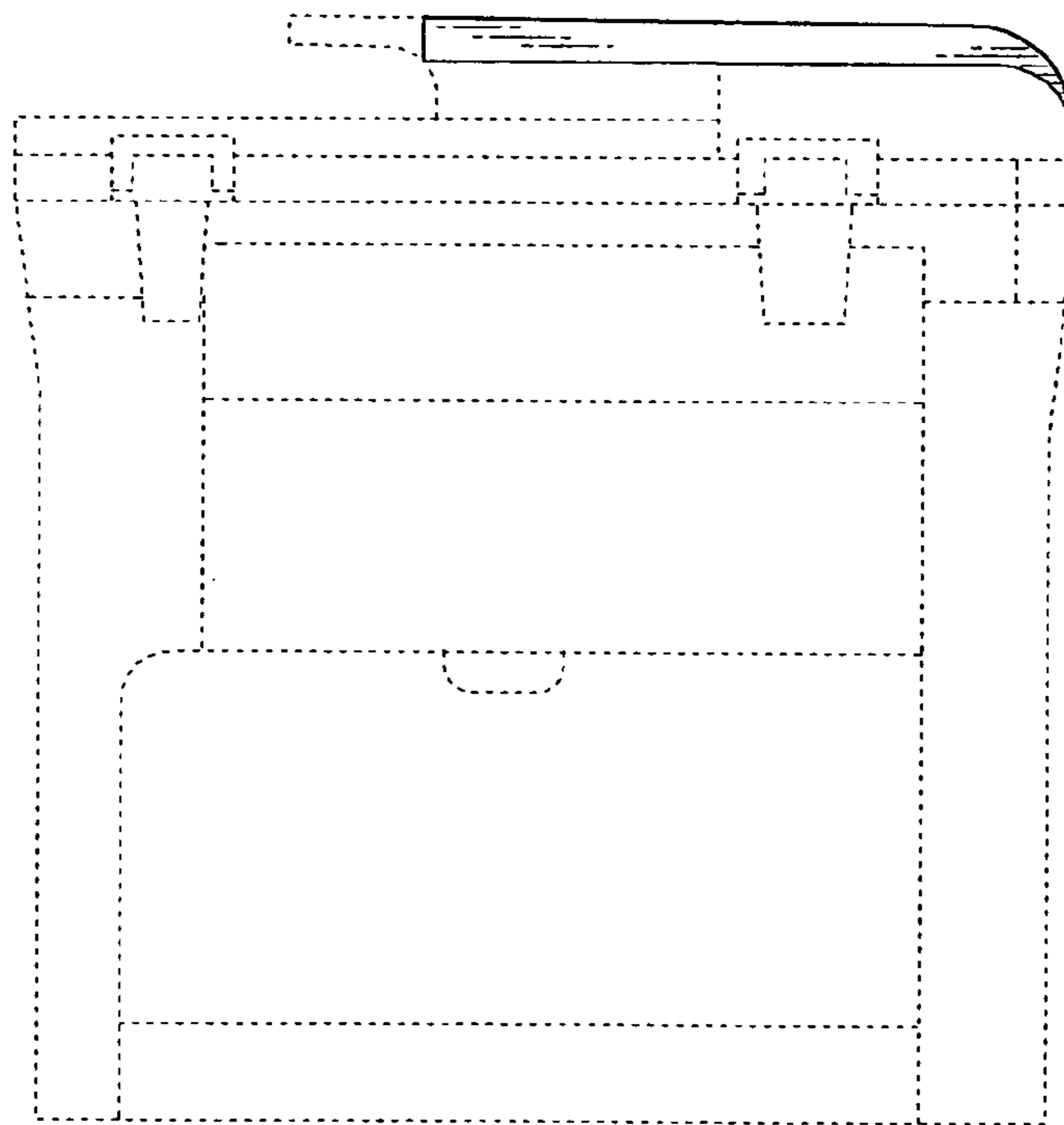


FIG. 5

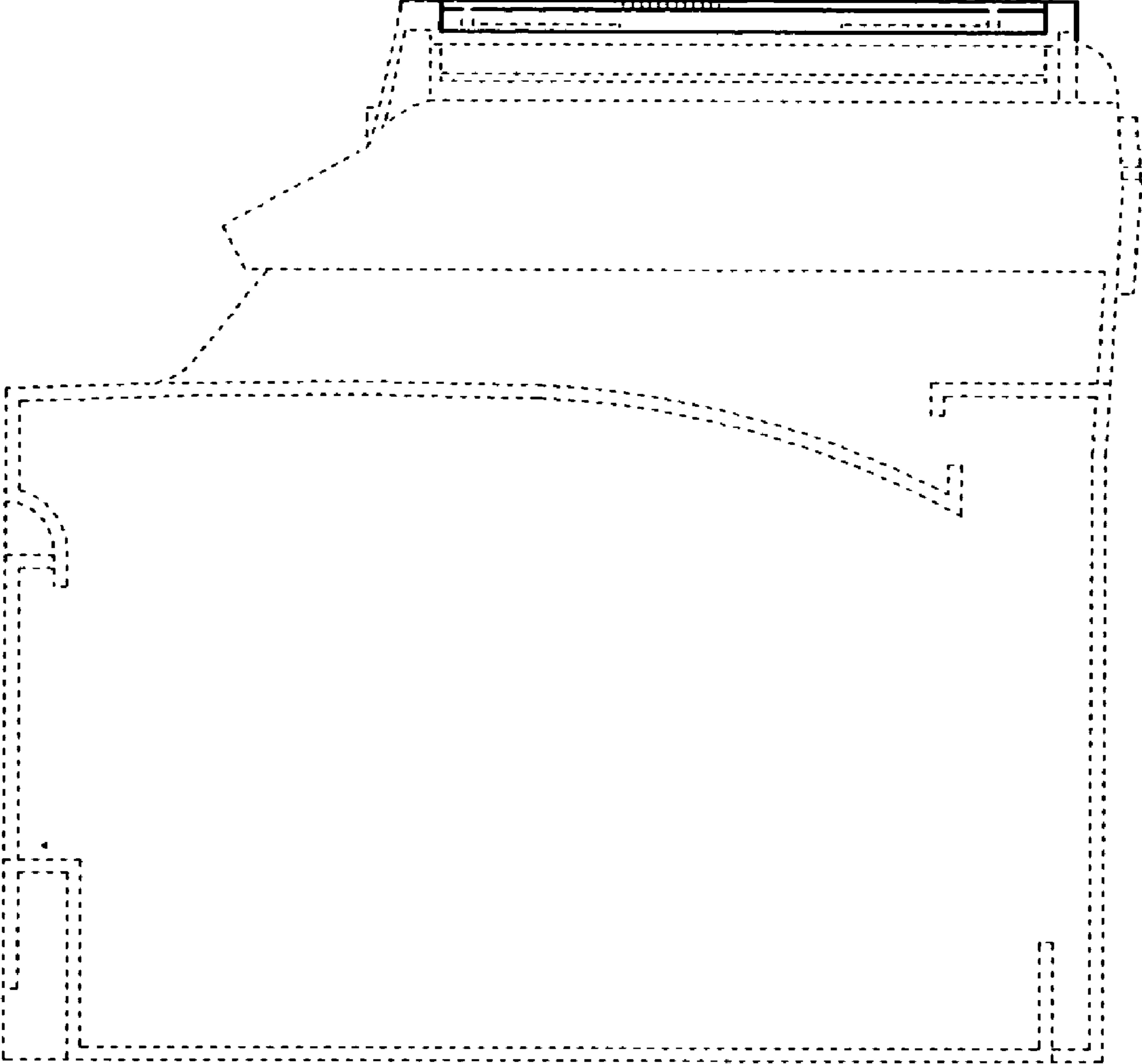


FIG. 6

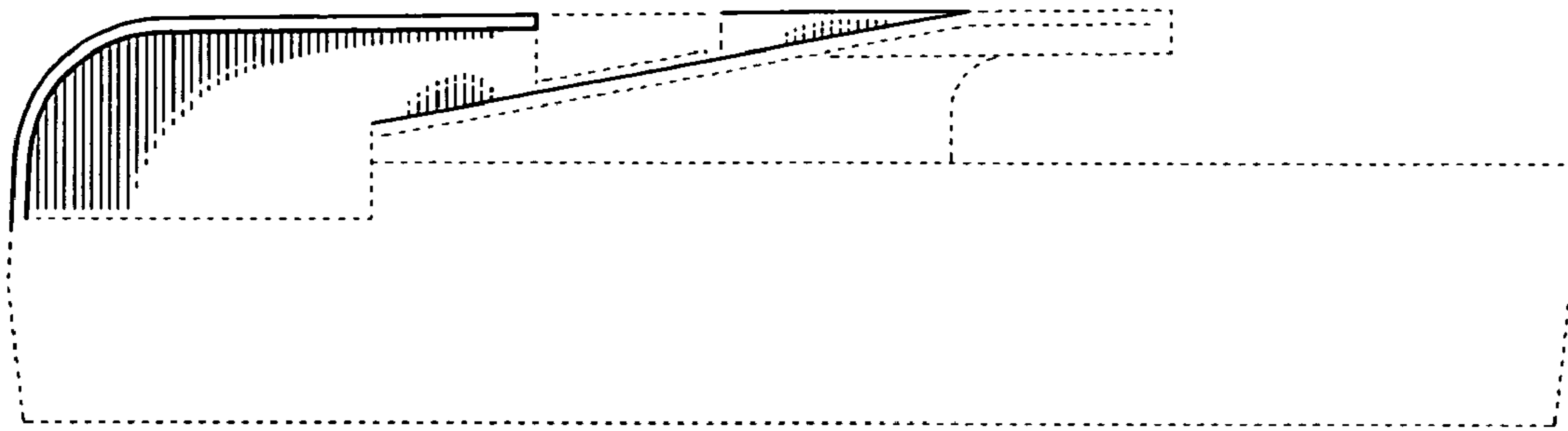


FIG. 7

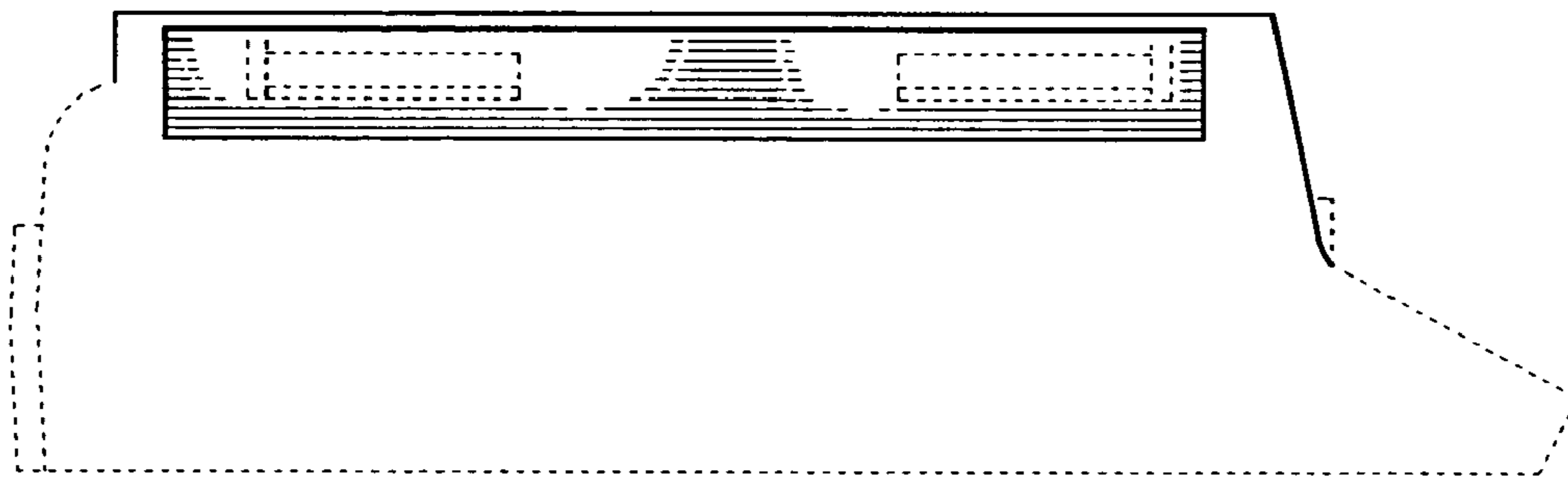


FIG. 8