



US00D552167S

(12) **United States Design Patent**
Lee et al.

(10) **Patent No.:** **US D552,167 S**
(45) **Date of Patent:** **** Oct. 2, 2007**

(54) **PHOTO PRINTER**

(75) Inventors: **Son-Young Lee**, Seoul (KR); **Jun-Won Bae**, Seoul (KR); **Hee-Yul Kim**, Seoul (KR); **Bong-Uk Lim**, Seoul (KR)

(73) Assignee: **Samsung Electronics Co., Ltd.**, Kyunggi-do (KR)

(**) Term: **14 Years**

(21) Appl. No.: **29/256,403**

(22) Filed: **Mar. 20, 2006**

(51) **LOC (8) Cl.** **18-02**

(52) **U.S. Cl.** **D18/50**

(58) **Field of Classification Search** D18/36-39,
D18/50-54, 54.1, 55; D14/420-425, 462-470;
D16/237, 246-248; 399/107; 400/613,
400/613.1-613.4, 690.1-690.4, 691-694

See application file for complete search history.

(56) **References Cited**

U.S. PATENT DOCUMENTS

D197,096 S	*	12/1963	Gugelot et al.	D18/36
D266,849 S	*	11/1982	Meister et al.	D18/54
D289,167 S	*	4/1987	Otsuka	D18/54
D352,056 S	*	11/1994	Kawashima et al.	D18/50
D405,107 S	*	2/1999	Yokokawa	D18/50
D456,443 S	*	4/2002	Igarashi	D18/50
D532,448 S	*	11/2006	Lim et al.	D18/50
D535,324 S	*	1/2007	Park et al.	D18/50

OTHER PUBLICATIONS

U.S. Appl. No. 29/236,964, Applicant: Gyeong-Sun Park, et al., filed Aug. 24, 2005 entitled Digital Photo Printer, now D535,324.

U.S. Appl. No. 29/231,251, Applicant: Bong-Uk Lim, et al. filed Jun. 2, 2005 entitled Photo Printer, now D532,448.

U.S. Appl. No. 29/236,962, Applicant: Gyeong-Sun Park, et al., filed Aug. 24, 2005 entitled Digital Photo Printer, now D533,585.

U.S. Appl. No. 29/256,398, Applicant: Hee-Yul Kim, et al., filed Mar. 20, 2006 entitled Photo Printer.

* cited by examiner

Primary Examiner—Cathy Anne MacCormac

(74) *Attorney, Agent, or Firm*—Flynn, Thiel, Boutell & Tanis, P.C.

(57) **CLAIM**

The ornamental design for a photo printer, as shown and described.

DESCRIPTION

FIG. 1 is a top front perspective view of a photo printer showing our new design;

FIG. 2 is a front elevational view thereof;

FIG. 3 is a rear elevational view thereof;

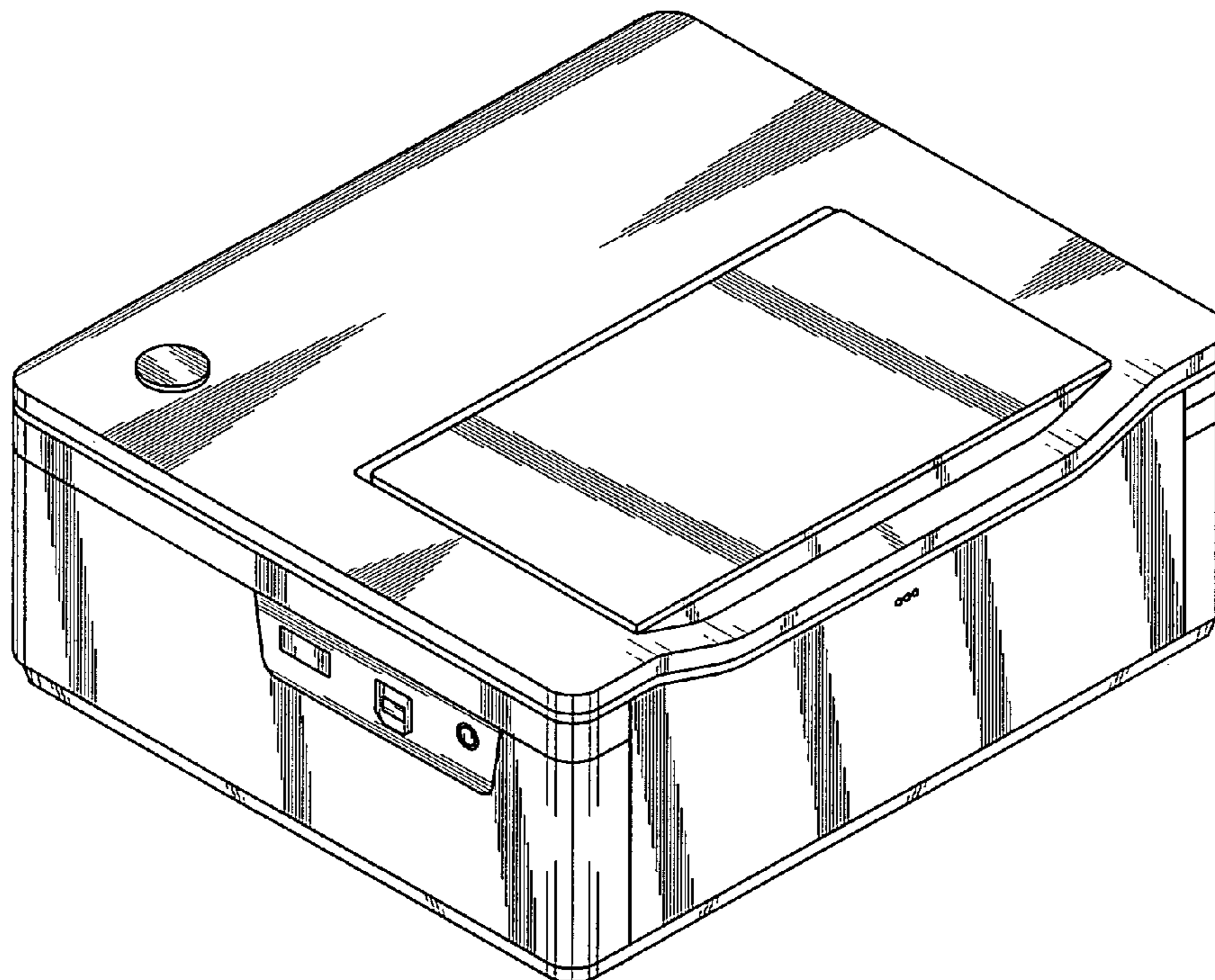
FIG. 4 is a left side elevational view thereof;

FIG. 5 is a right side elevational view thereof;

FIG. 6 is a top plan view thereof; and,

FIG. 7 is a bottom plan view thereof.

1 Claim, 4 Drawing Sheets



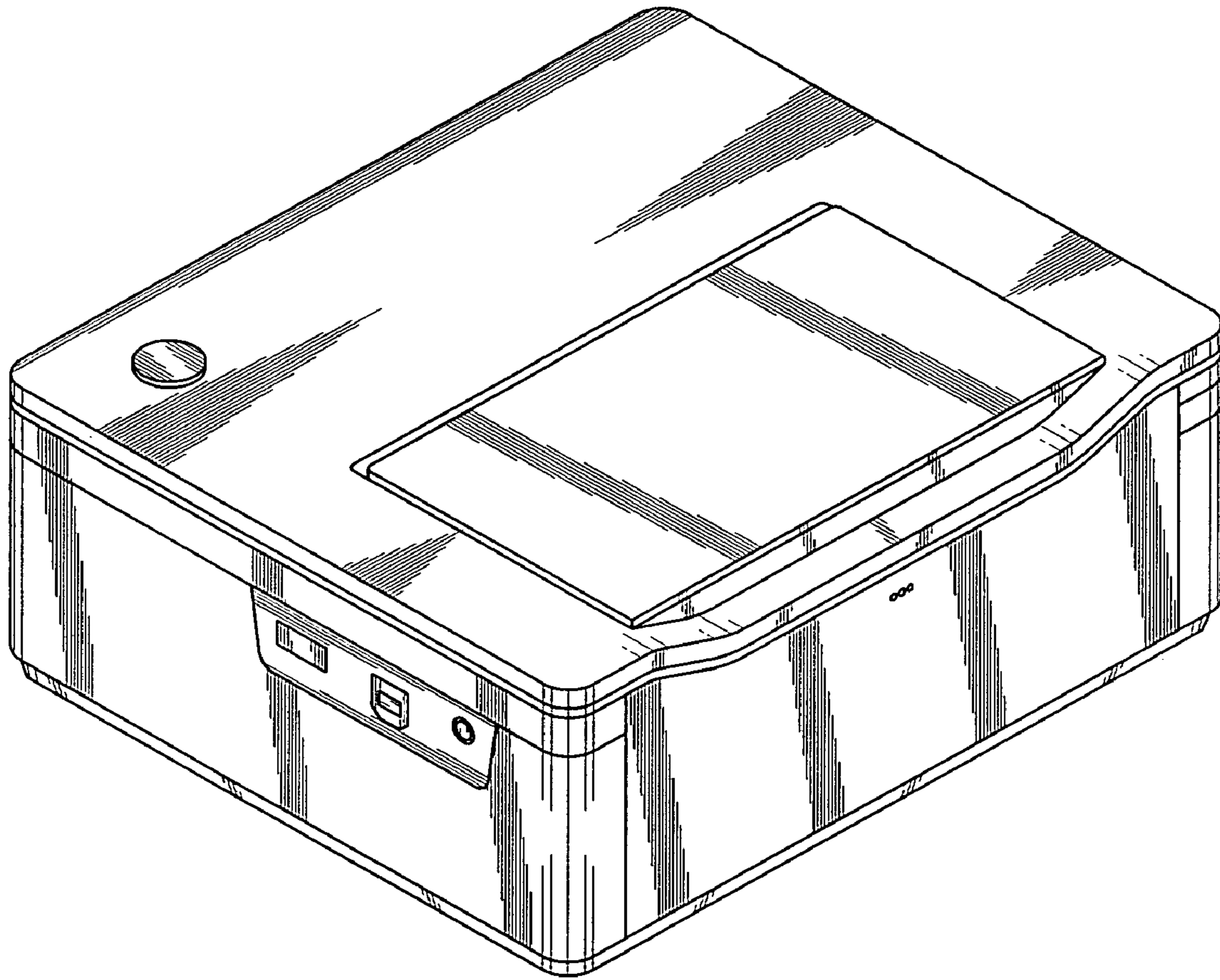


FIG. 1

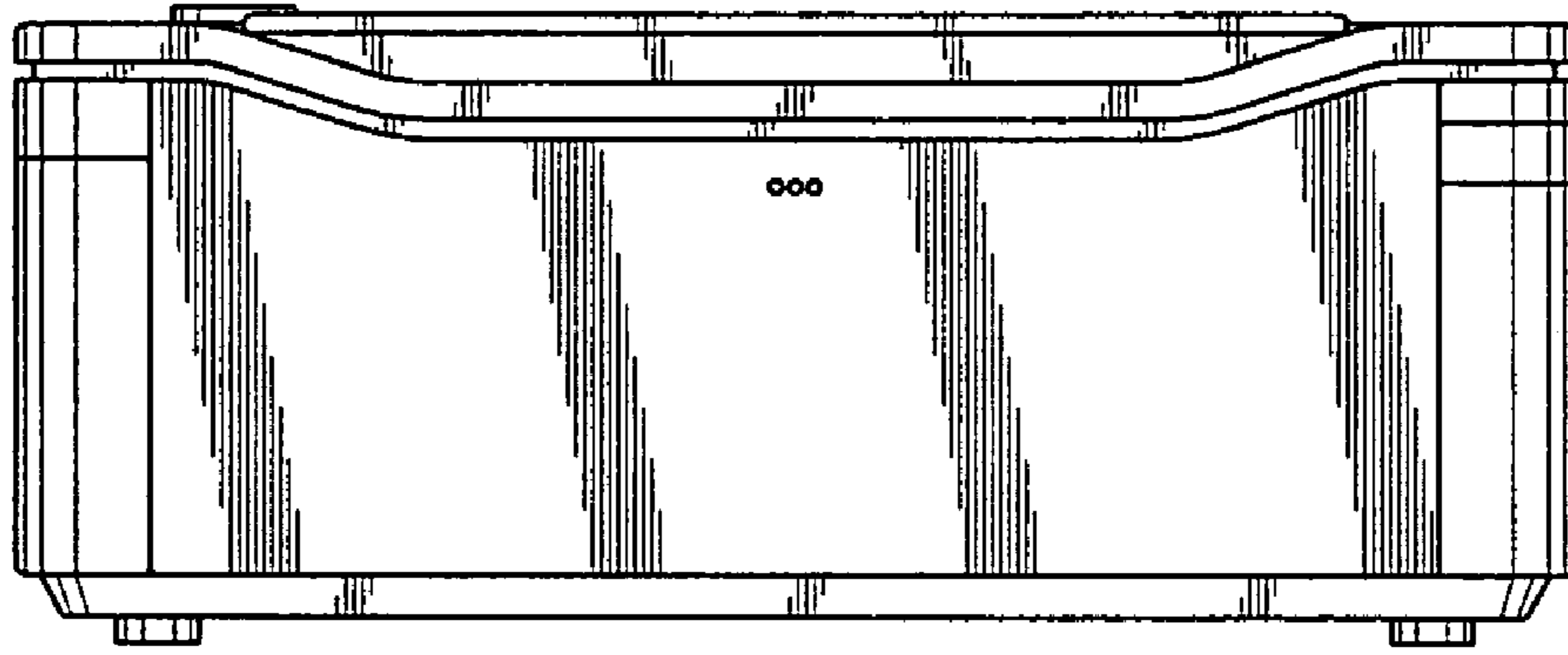


FIG. 2

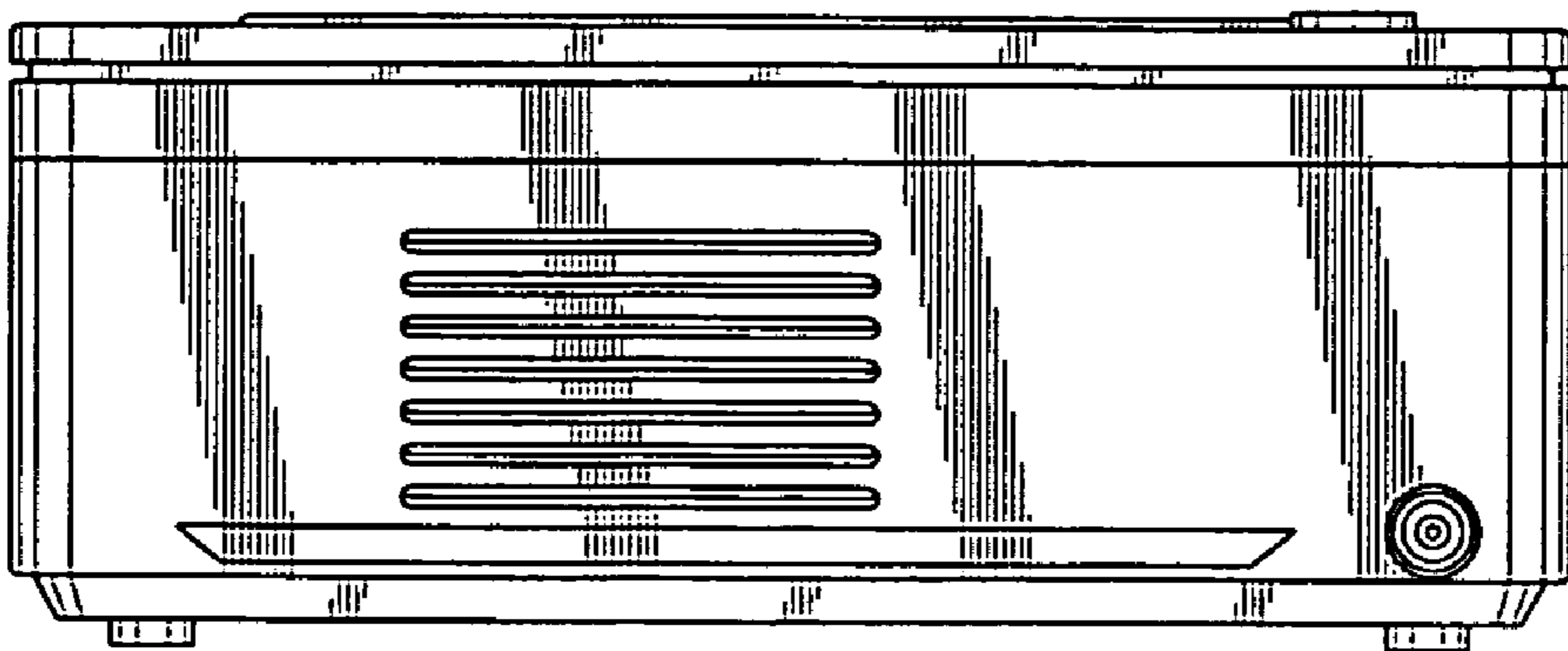


FIG. 3

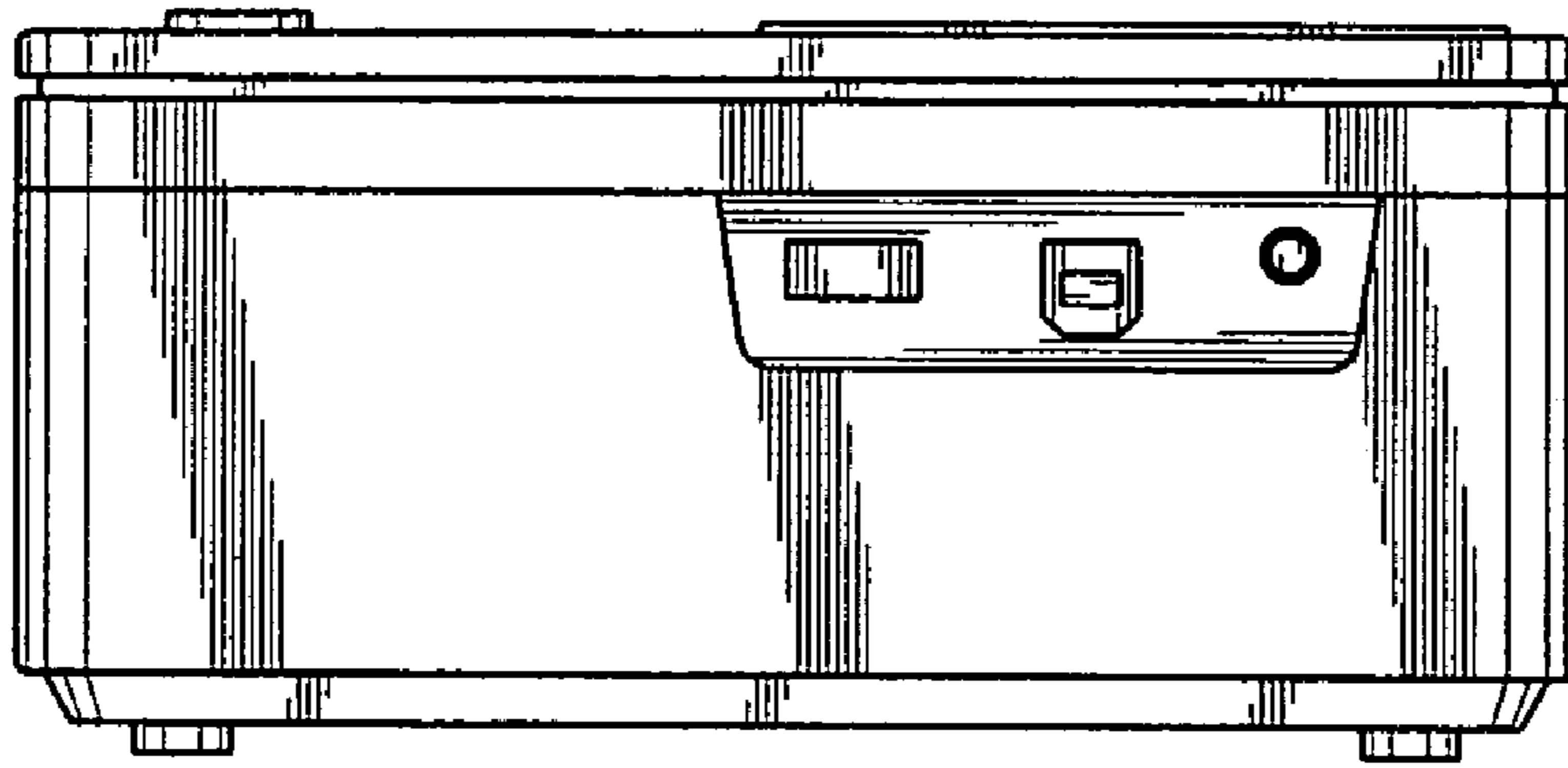


FIG. 4

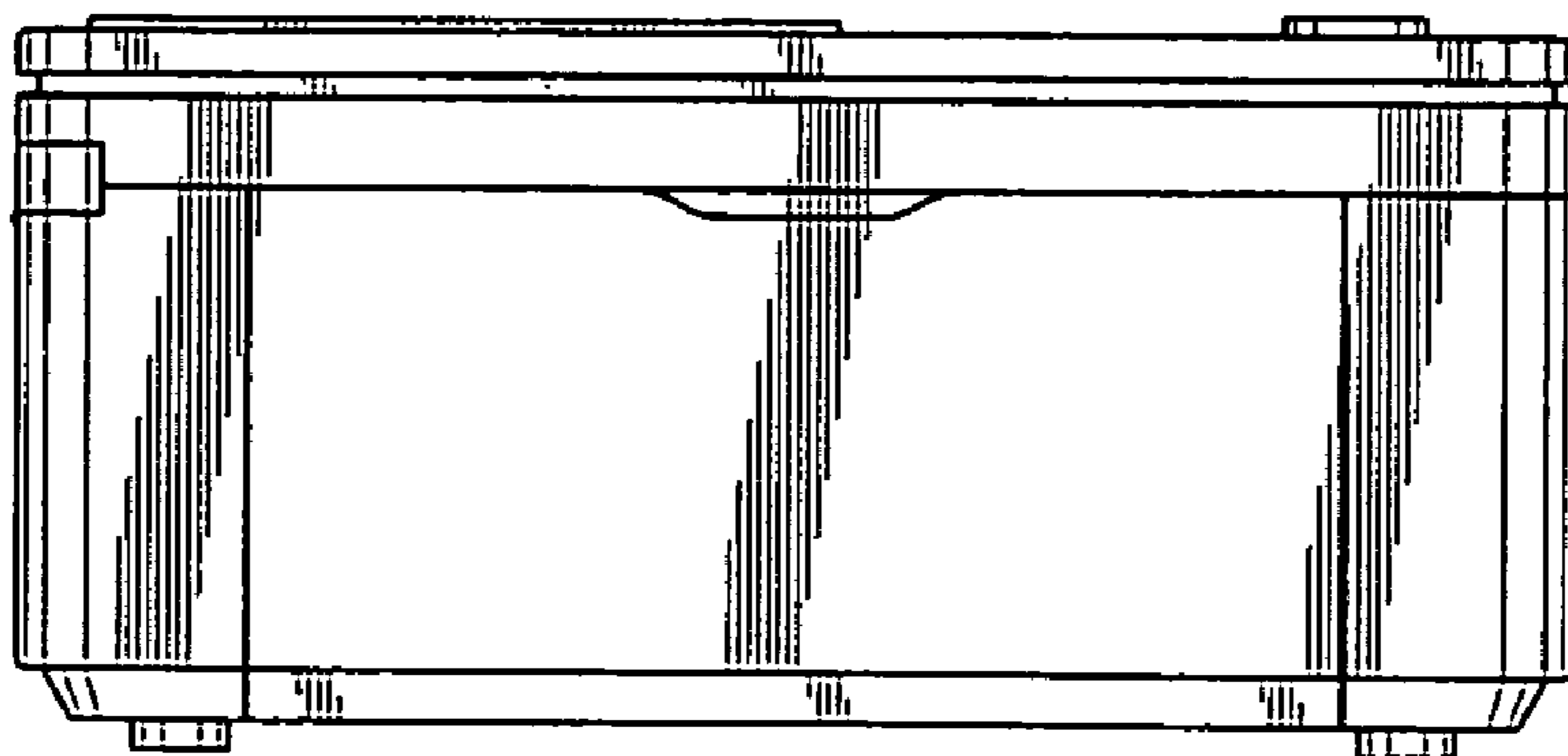


FIG. 5

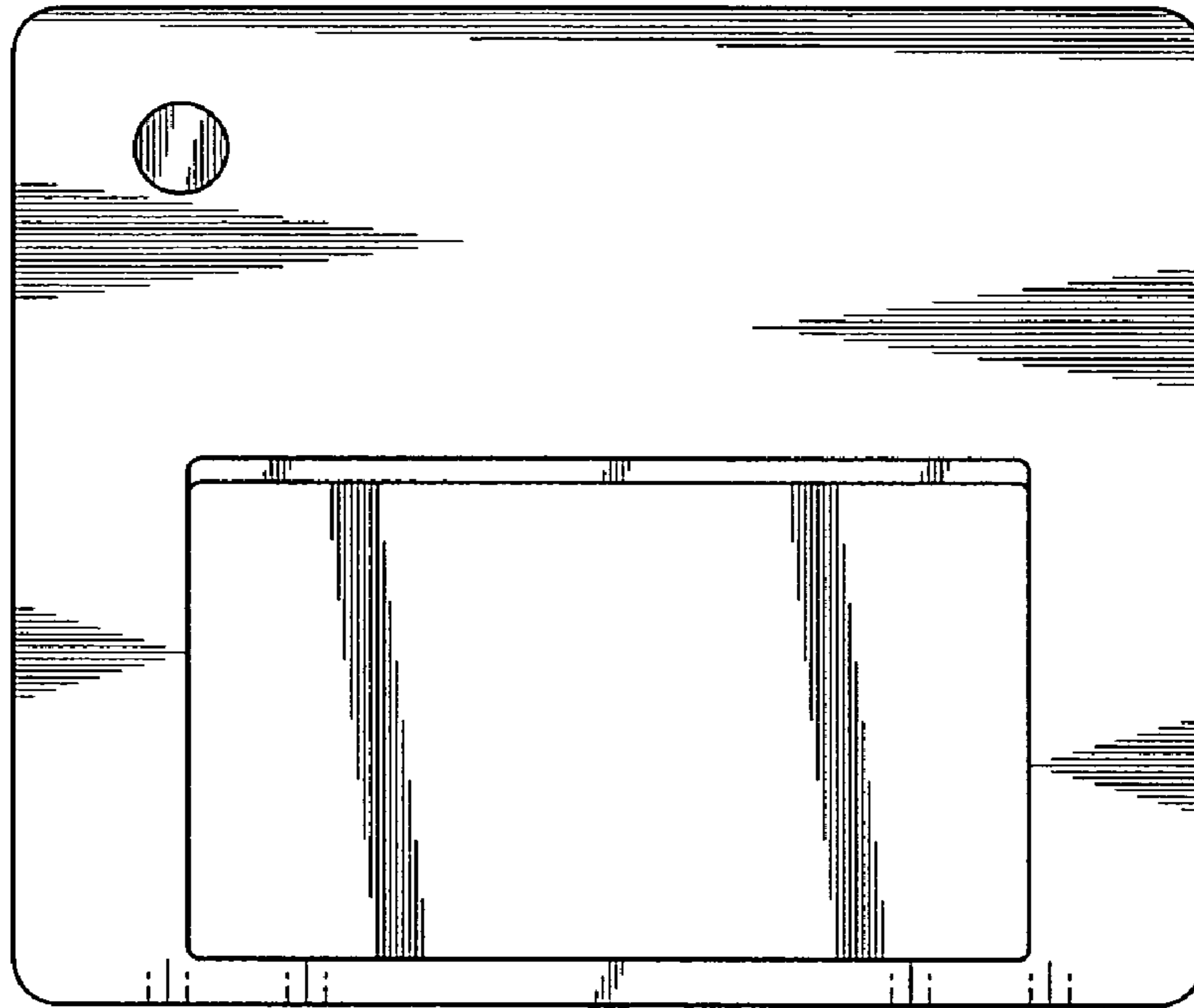


FIG. 6

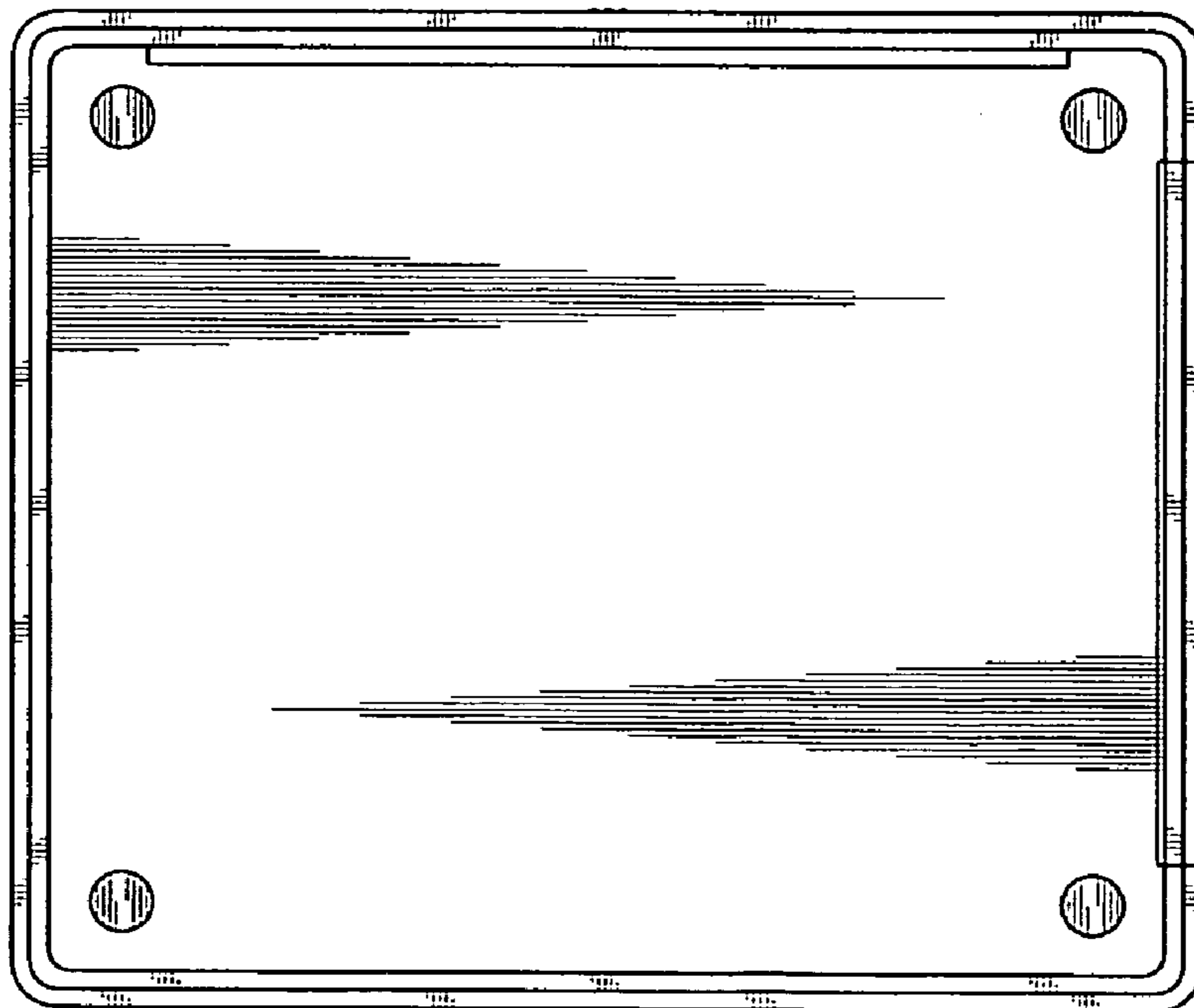


FIG. 7