



US00D552165S

(12) **United States Design Patent**
Sogabe

(10) **Patent No.:** **US D552,165 S**

(45) **Date of Patent:** **** Oct. 2, 2007**

(54) **LINE THERMAL HEAD LETTER PRINTING APPARATUS**

(75) Inventor: **Masuo Sogabe**, Fuchu (JP)

(73) Assignee: **Daisey Machinery Co., Ltd.**,
Saitama-ken (JP)

(**) Term: **14 Years**

(21) Appl. No.: **29/205,875**

(22) Filed: **May 24, 2004**

(30) **Foreign Application Priority Data**

Dec. 9, 2003 (JP) 2003-036489

(51) **LOC (8) Cl.** **14-02**

(52) **U.S. Cl.** **D18/50**

(58) **Field of Classification Search** D18/12,
D18/19, 40, 50, 56, 99; 400/613, 613.1-613.4,
400/490.1-490.4, 691-694, 120.1, 120.2,
400/120.3; 347/3, 171, 200, 214-219, 221,
347/222

See application file for complete search history.

(56) **References Cited**

U.S. PATENT DOCUMENTS

- D226,592 S * 3/1973 Noack D18/19
- 4,695,850 A * 9/1987 Nubson 347/171
- D295,639 S * 5/1988 Oglander et al. D20/2
- 4,788,558 A * 11/1988 Caldwell et al. 347/215
- 4,811,036 A * 3/1989 Gaskill et al. 347/197
- 4,823,953 A * 4/1989 Anderson et al. 400/613
- 4,886,384 A * 12/1989 Harry 400/223
- D344,755 S * 3/1994 Yamazaki D18/56
- 5,376,954 A * 12/1994 Kerr 346/138
- D355,671 S * 2/1995 Onumata D18/56

- 5,482,391 A * 1/1996 Cook 400/691
- 5,538,351 A * 7/1996 Miyano 400/206
- 5,546,115 A * 8/1996 Nardone et al. 347/214
- 5,709,486 A * 1/1998 Day 400/208
- 6,057,870 A * 5/2000 Monnier et al. 347/171
- 6,141,029 A * 10/2000 Gunther et al. 347/217
- 6,220,327 B1 * 4/2001 Rothwell et al. 156/387
- 6,232,994 B1 * 5/2001 Wiklof 347/177
- 6,302,604 B1 * 10/2001 Bryant et al. 400/619
- 6,313,859 B1 * 11/2001 Kerr et al. 347/217
- 6,579,020 B2 * 6/2003 Jørgensen et al. 400/120.01
- 7,071,961 B2 * 7/2006 Ullenius et al. 347/219
- 7,170,537 B2 * 1/2007 Helma et al. 347/171

* cited by examiner

Primary Examiner—Louis S. Zarfes

Assistant Examiner—Anhdao Doan

(74) *Attorney, Agent, or Firm*—Wenderoth, Lind & Ponack,
L.L.P.

(57) **CLAIM**

The ornamental design for a line thermal head letter printing apparatus, as shown and described.

DESCRIPTION

FIG. 1 is a front view of a line thermal head letter printing apparatus of the present invention;

FIG. 2 is a rear view of the design;

FIG. 3 is a left side view of the design;

FIG. 4 is a perspective view of the design;

FIG. 5 is a top view of the design;

FIG. 6 is a bottom view of the design; and,

FIG. 7 is a right side view of the design.

1 Claim, 7 Drawing Sheets

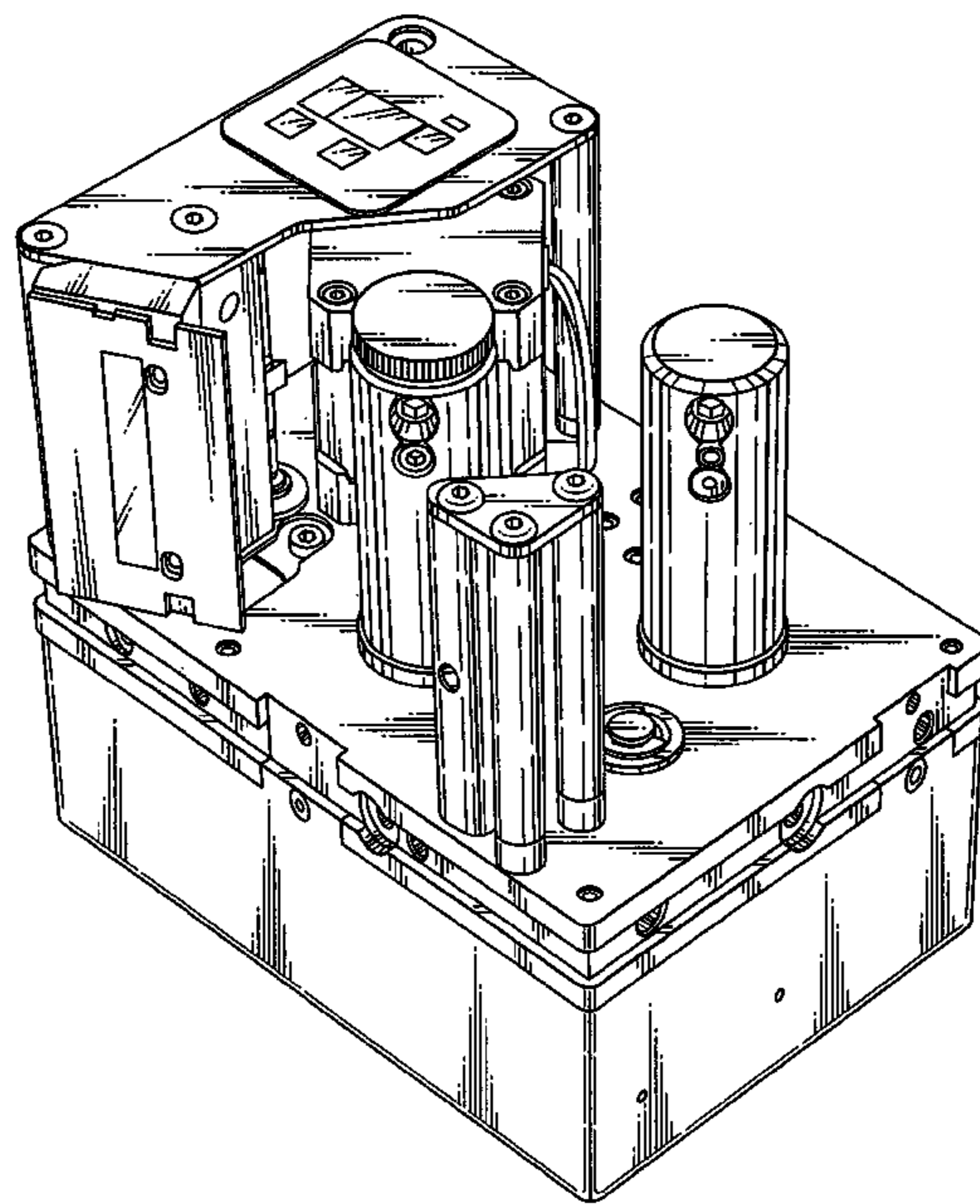


FIG. 1

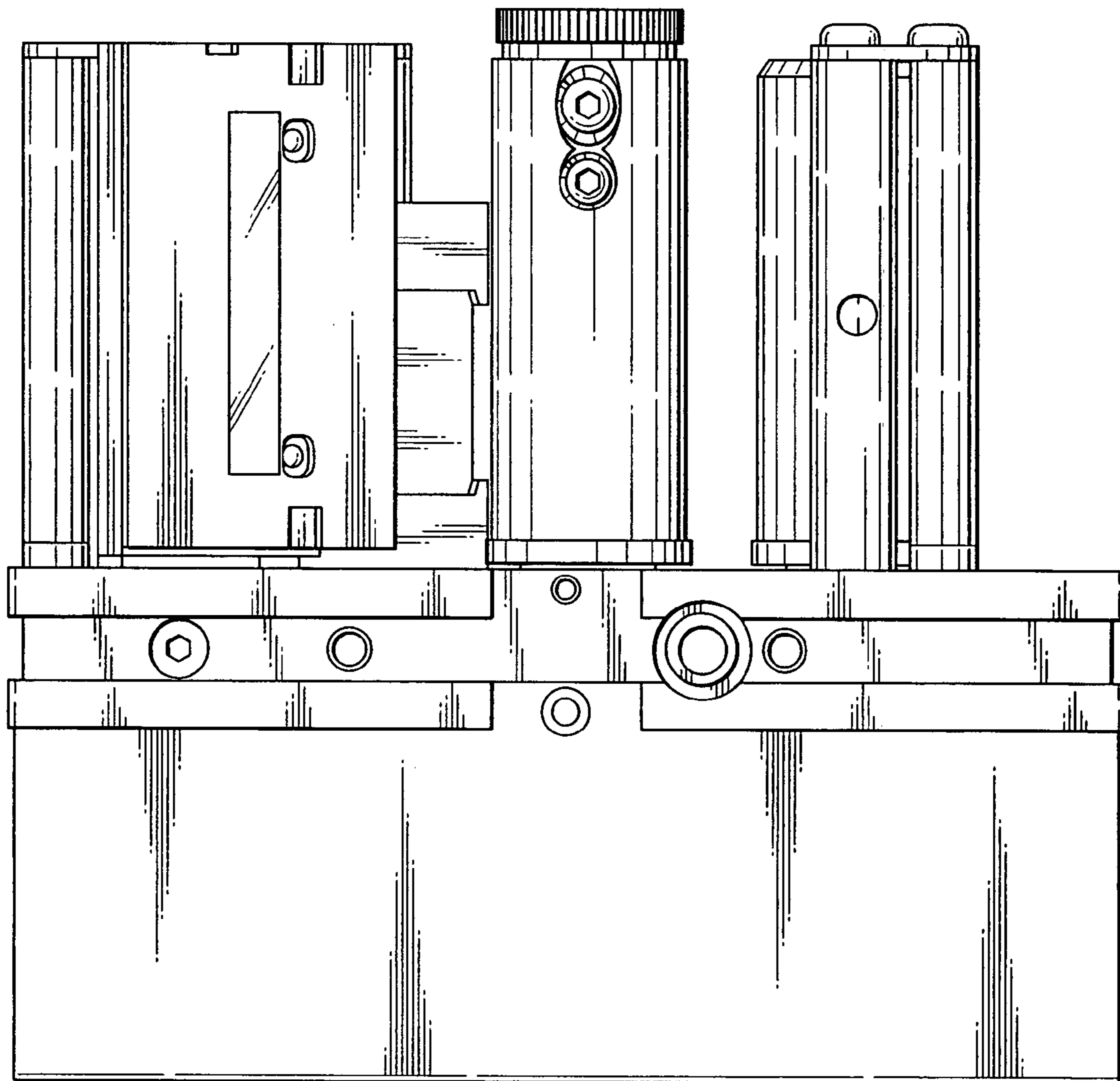


FIG.2

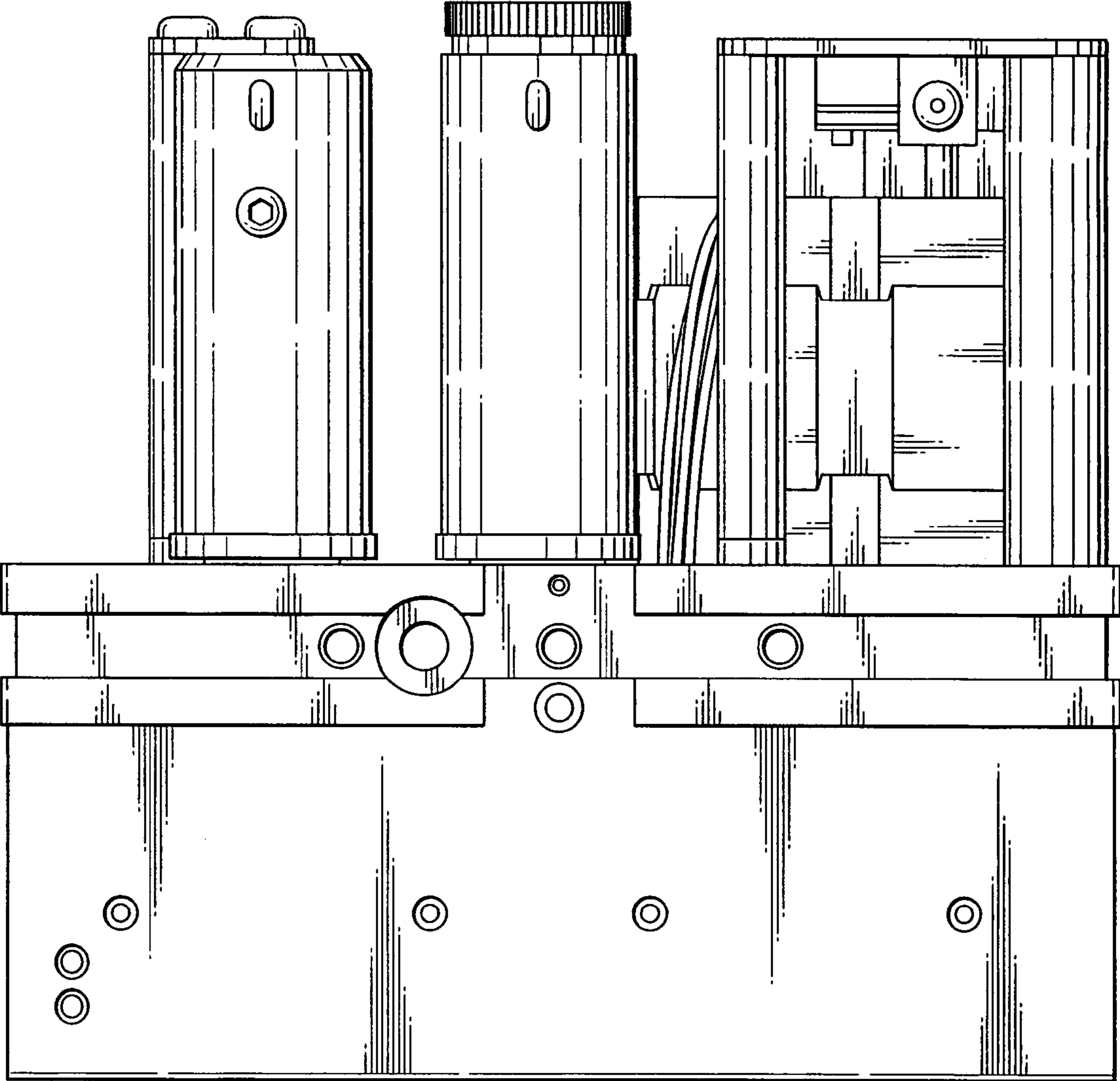


FIG.3

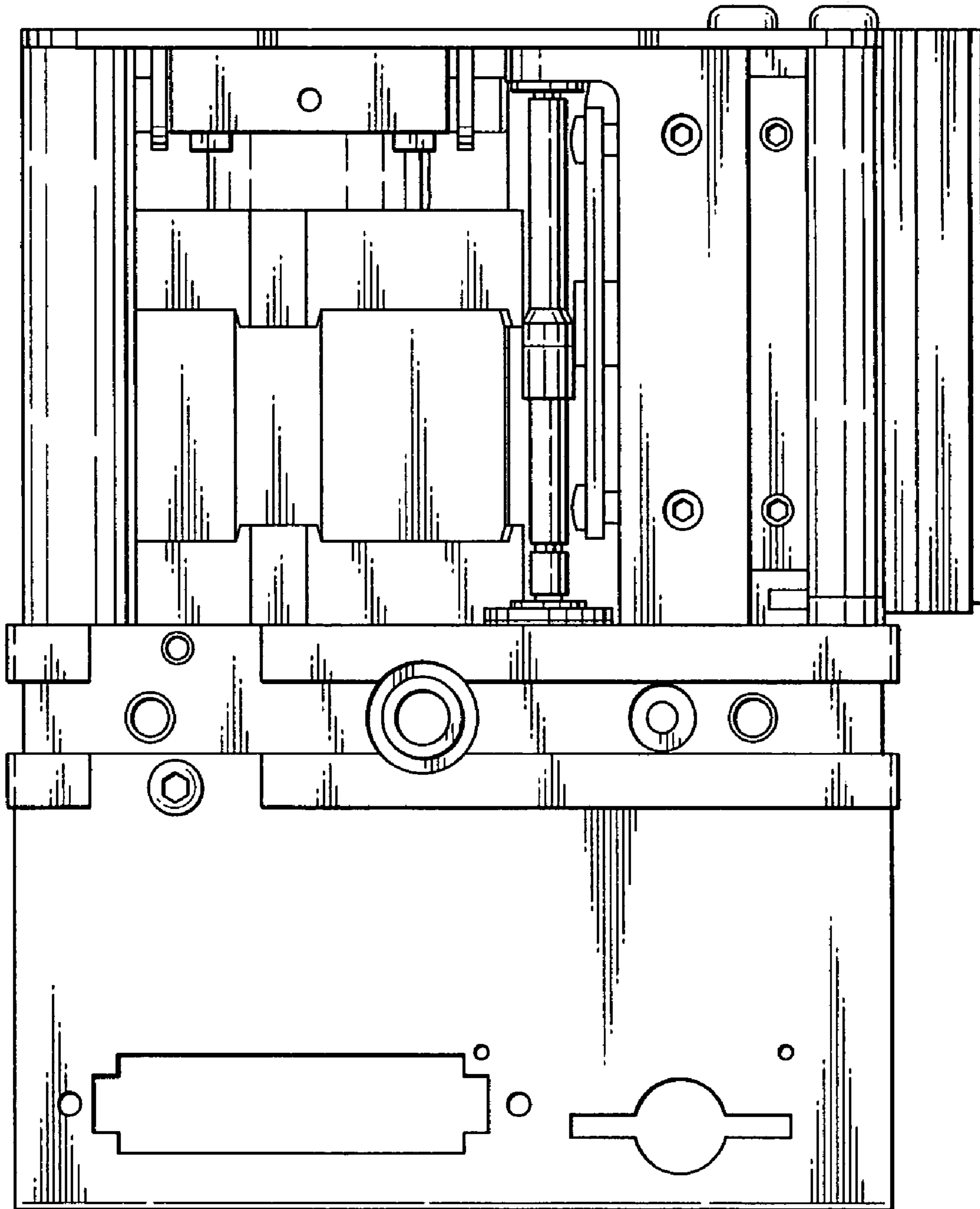


FIG.4

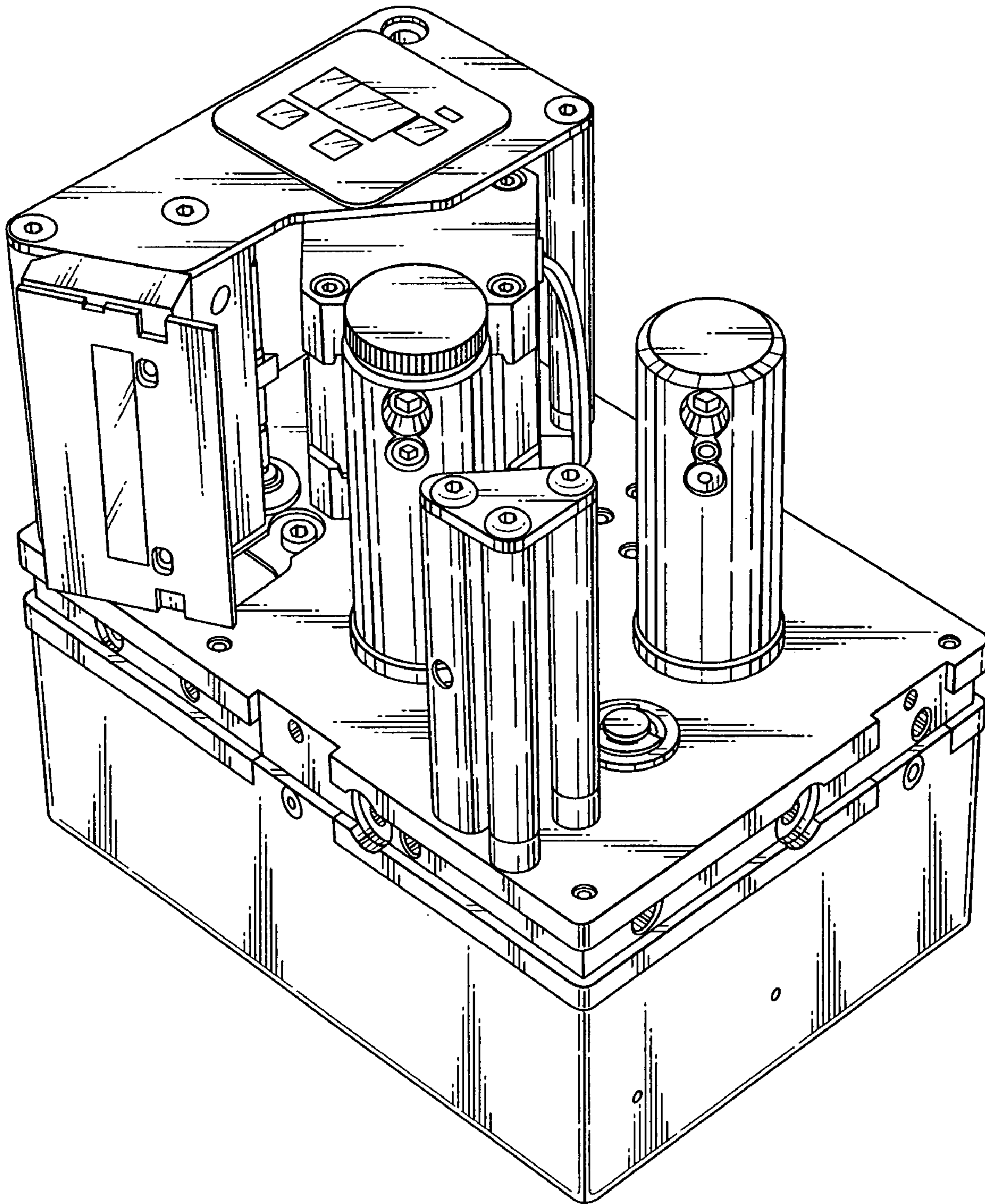


FIG.5

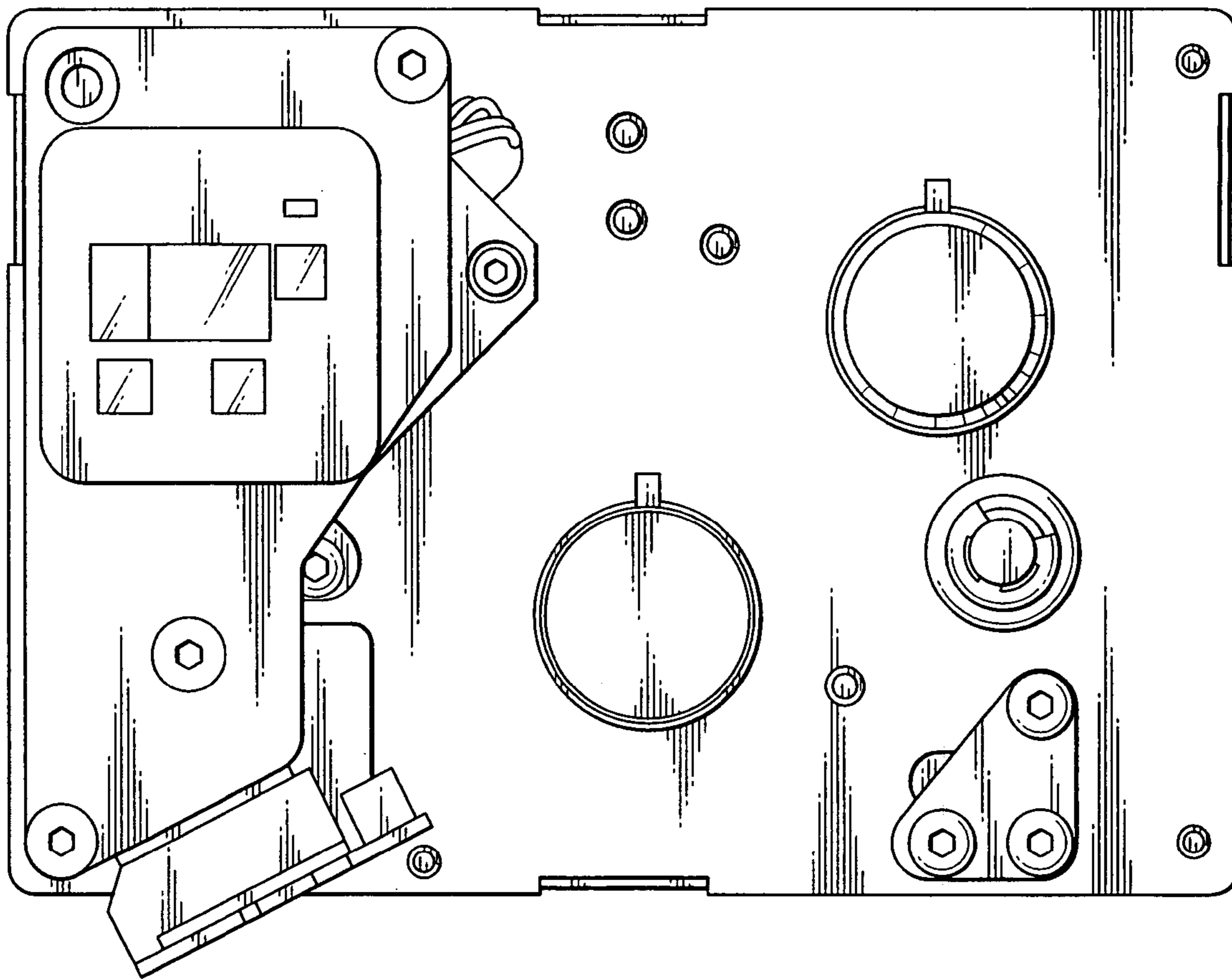


FIG.6

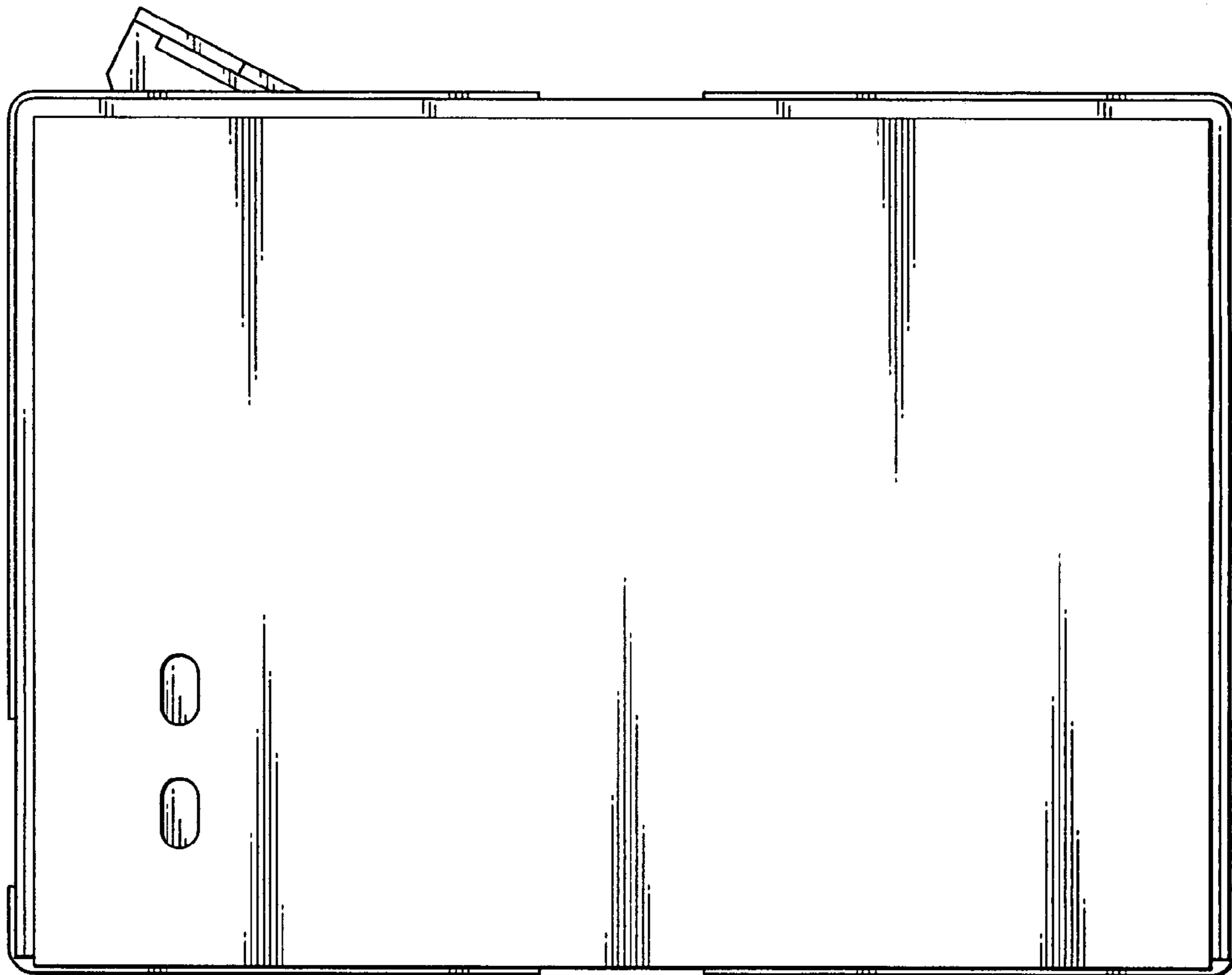


FIG. 7

