



US00D552164S

(12) **United States Design Patent** (10) **Patent No.:** **US D552,164 S**  
**Kouroku et al.** (45) **Date of Patent:** **\*\* Oct. 2, 2007**

(54) **TONER CARTRIDGE**

D524,850 S \* 7/2006 Hashimoto et al. .... D18/43

(75) Inventors: **Moriyuki Kouroku**, Higashimurayama (JP); **Hirokazu Toshiyuki**, Fussa (JP); **Masaki Kanasugi**, Higashiyamato (JP)

\* cited by examiner

*Primary Examiner*—Robert M. Spear  
*Assistant Examiner*—Garth Rademaker

(73) Assignee: **Casio Keisanki Kabushiki Kaisha**, Tokyo (JP)

(74) *Attorney, Agent, or Firm*—Frishauf, Holtz, Goodman & Chick, P.C.

(\*\*) Term: **14 Years**

(57) **CLAIM**

(21) Appl. No.: **29/243,050**

The ornamental design for a toner cartridge, as shown.

(22) Filed: **Nov. 17, 2005**

**DESCRIPTION**

(51) **LOC (8) Cl.** ..... **16-03**

FIG. 1 is a front, top, left side perspective view of a toner cartridge showing our new design;

(52) **U.S. Cl.** ..... **D18/43**

FIG. 2 is a front elevational view thereof, shown at a reduced scale;

(58) **Field of Classification Search** ..... D14/462, D14/469–471; D18/12, 36, 40, 43, 44, 56; 222/DIG. 1; 347/197, 222; 399/24–28, 399/107–112, 119, 121, 122, 222–224  
See application file for complete search history.

FIG. 3 is a rear elevational view thereof;

FIG. 4 is a left side elevational view thereof, shown at an enlarged scale;

FIG. 5 is a right side elevational view thereof;

(56) **References Cited**

**U.S. PATENT DOCUMENTS**

- D238,658 S \* 2/1976 Stone ..... D18/43
- D359,754 S \* 6/1995 Hashizume et al. .... D18/43
- D365,844 S \* 1/1996 Nishimura et al. .... D18/43
- D366,275 S \* 1/1996 Komaki ..... D18/43
- D448,795 S \* 10/2001 Kusanagi et al. .... D18/43
- 6,324,371 B1 \* 11/2001 Okiyama et al. .... 399/262
- D459,388 S \* 6/2002 Irie et al. .... D18/43
- D491,979 S \* 6/2004 Irie et al. .... D18/43

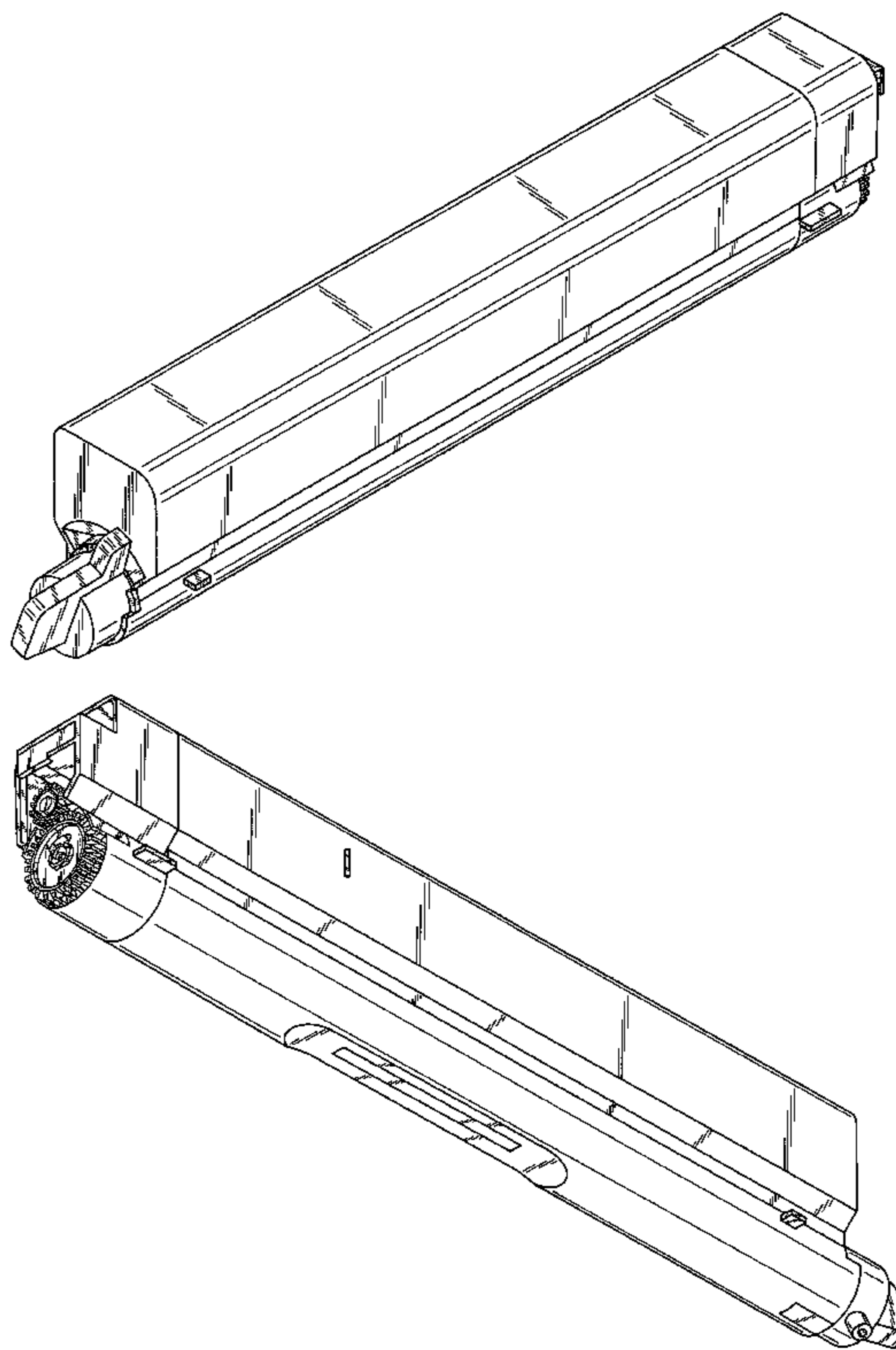
FIG. 6 is a top plan view thereof shown at a reduced scale;

FIG. 7 is a bottom plan view thereof; and,

FIG. 8 is a rear, bottom, right side perspective view thereof, shown at an enlarged scale.

The broken line showings in FIGS. 5 and 8 are for illustrative purposes only, and do not form part of the claimed design.

**1 Claim, 7 Drawing Sheets**



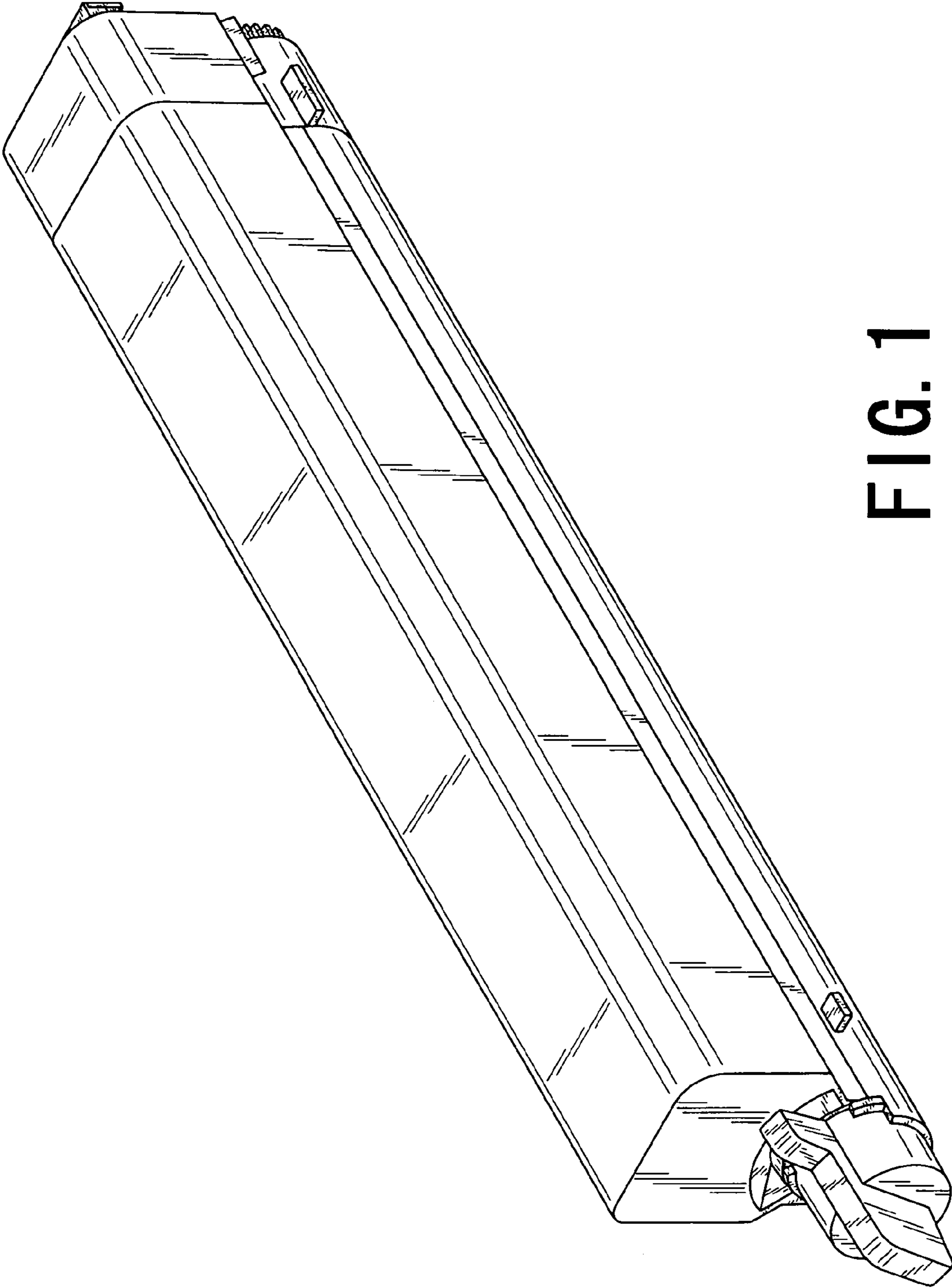


FIG. 1

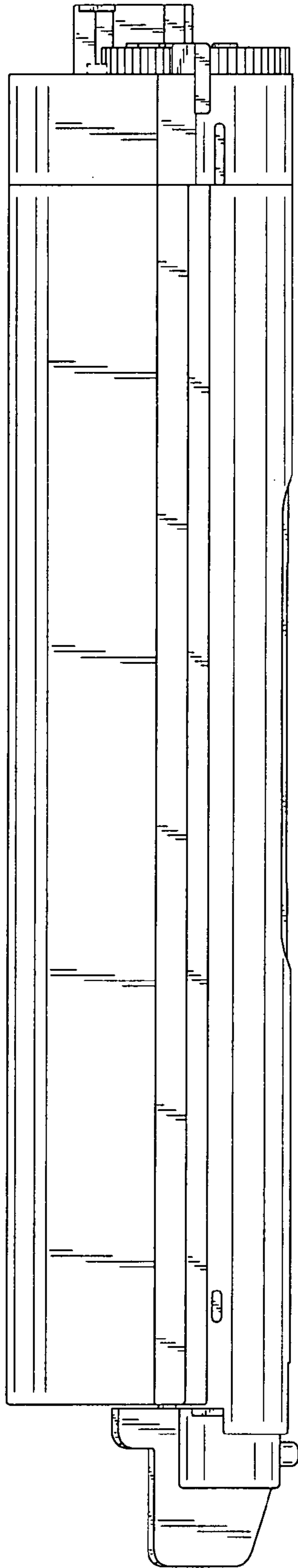


FIG. 2

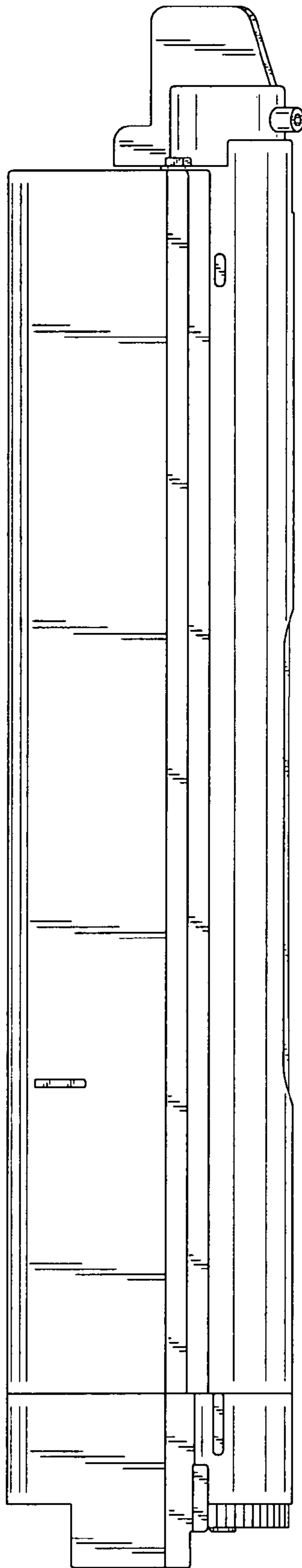


FIG. 3

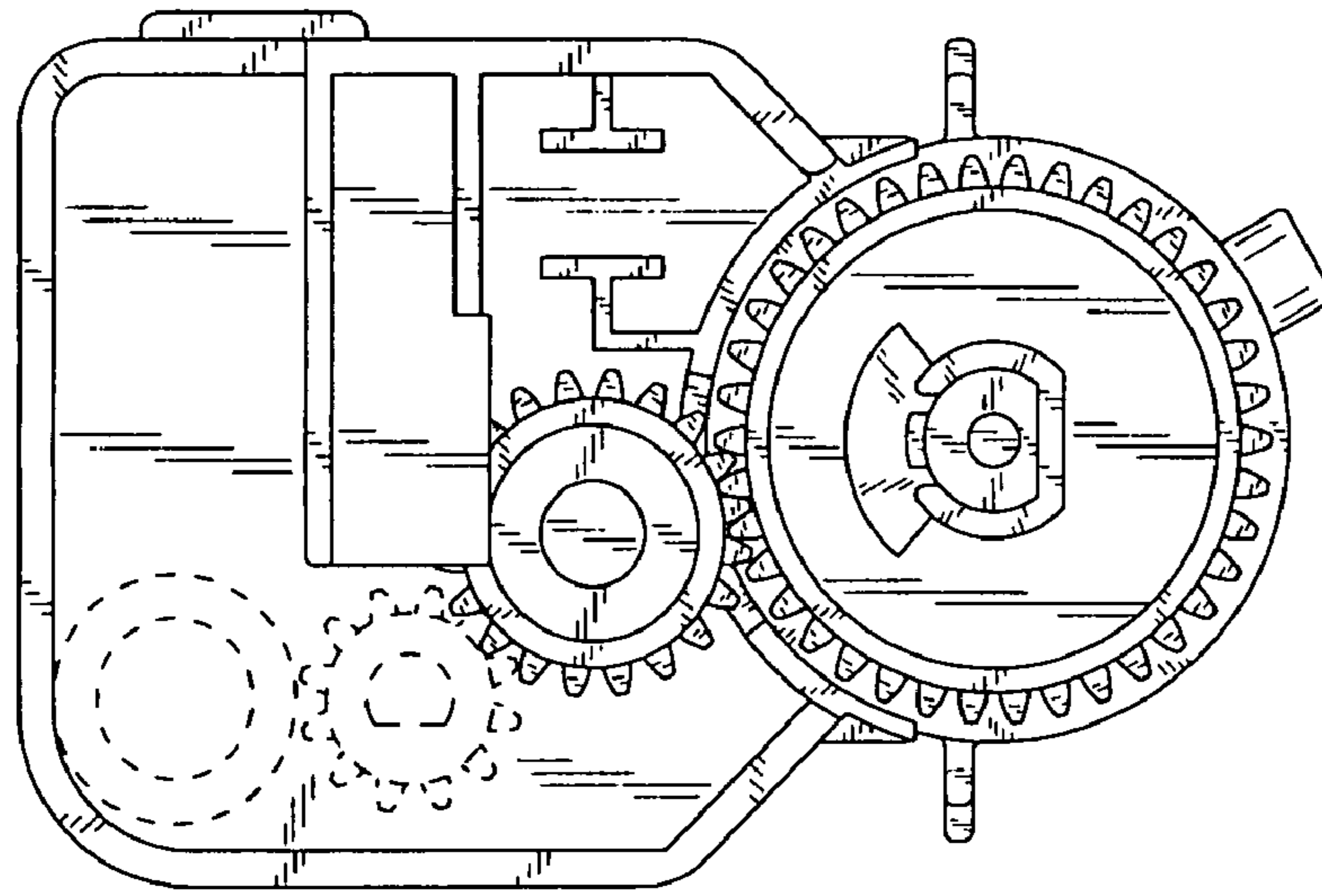


FIG. 4

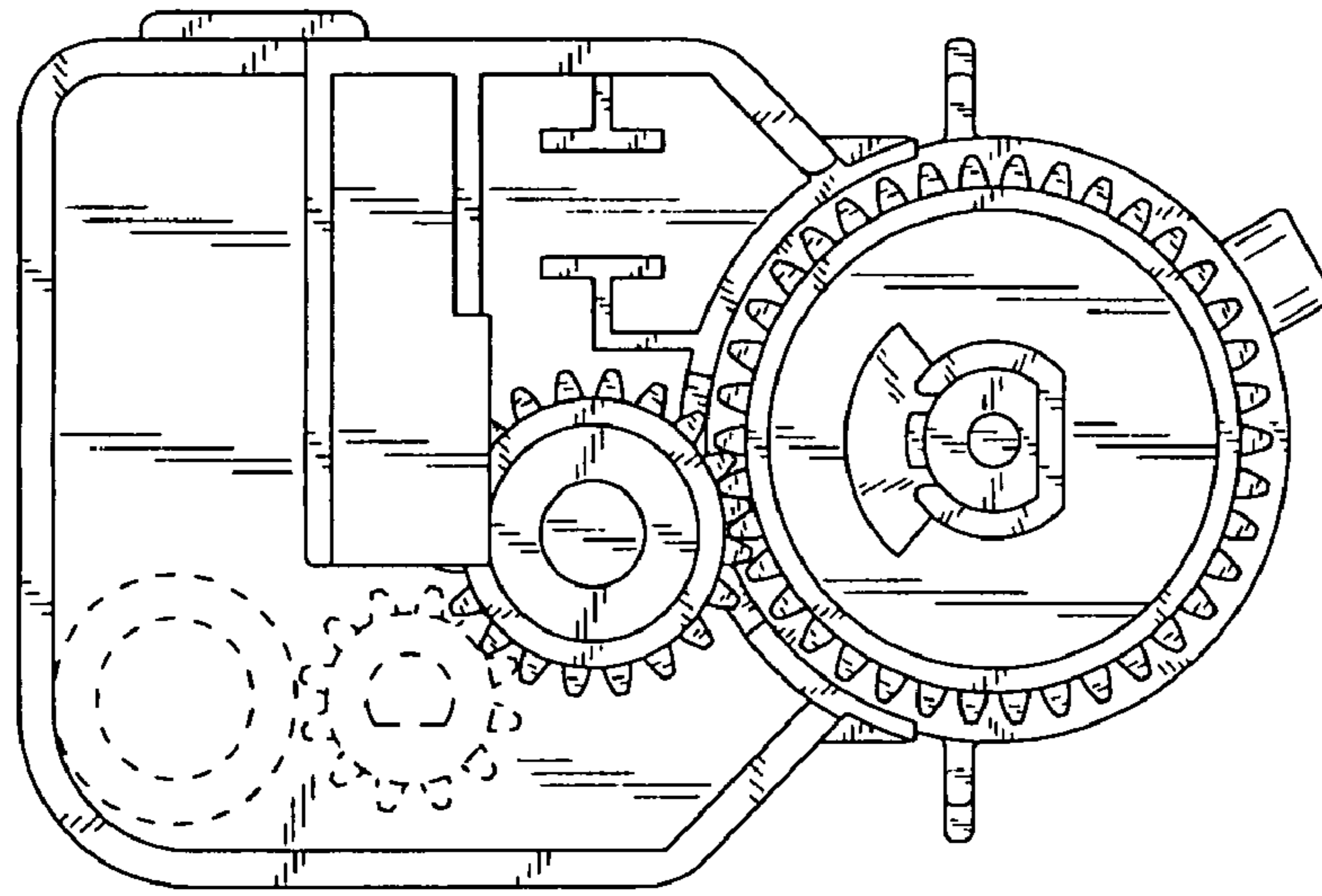
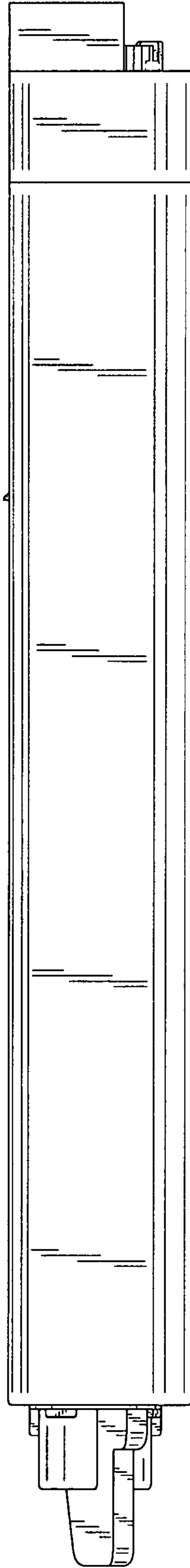


FIG. 5



**FIG. 6**

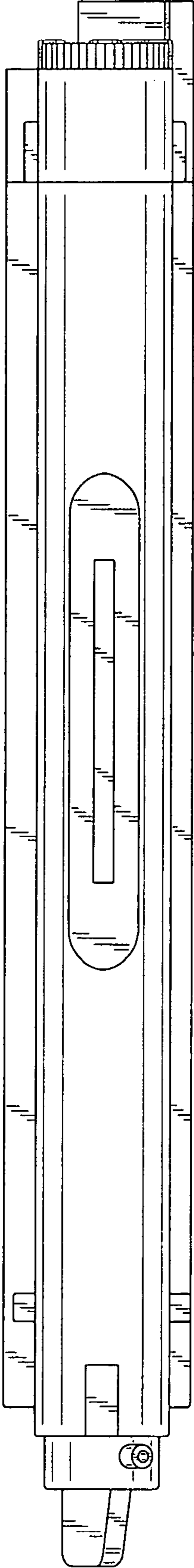


FIG. 7

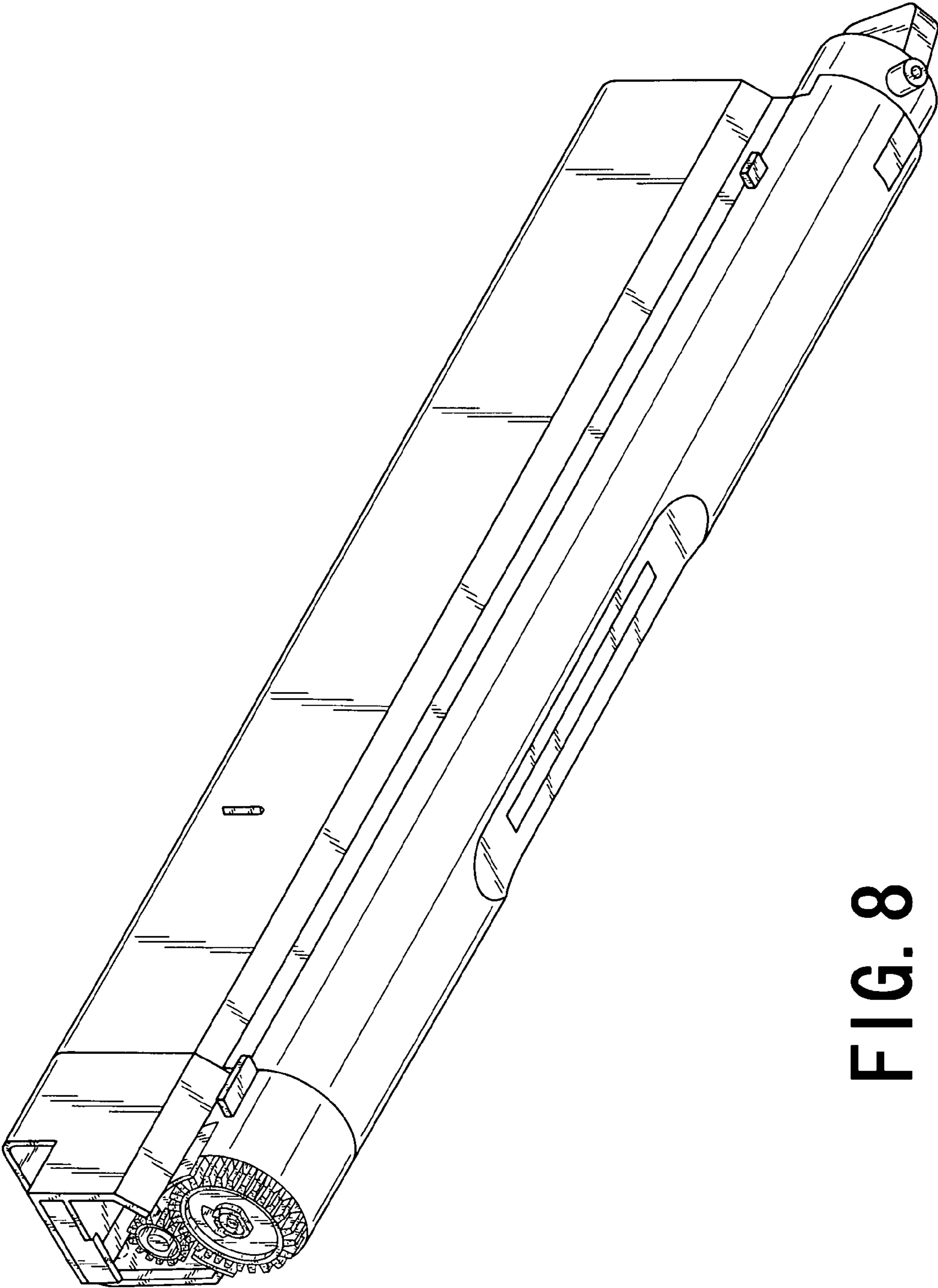


FIG. 8



UNITED STATES PATENT AND TRADEMARK OFFICE  
**CERTIFICATE OF CORRECTION**

PATENT NO. : D552,164 S  
APPLICATION NO. : 29/243050  
DATED : October 2, 2007  
INVENTOR(S) : Moriyuki Kouroku et al.

Page 1 of 1

It is certified that error appears in the above-identified patent and that said Letters Patent is hereby corrected as shown below:

On the title page:

Under item (73) Assignee;

after "Casio Keisanki Kabushiki Kaisha d.b.a Casio Computer, Tokyo (JP)"

insert -- Casio Denshikougyou Kabushiki Kaisha d.b.a.

Casio Electronics Manufacturing Co., Ltd., Saitama, Japan --.

Signed and Sealed this  
Twentieth Day of December, 2011

A handwritten signature in black ink, reading "David J. Kappos". The signature is written in a cursive, slightly slanted style.

David J. Kappos  
*Director of the United States Patent and Trademark Office*