



US00D552163S

(12) **United States Design Patent**
Kouroku et al.

(10) **Patent No.:** **US D552,163 S**

(45) **Date of Patent:** **** Oct. 2, 2007**

(54) **PHOTOCONDUCTOR CARTRIDGE**

2007/0041744 A1* 2/2007 Gumbe 399/111

(75) Inventors: **Moriyuki Kouroku**, Higashimurayama (JP); **Hirokazu Toshiyuki**, Fussa (JP); **Masaki Kanasugi**, Higashiyamato (JP)

* cited by examiner

Primary Examiner—Robert M. Spear
Assistant Examiner—Garth Rademaker

(73) Assignees: **Casio Keisanki Kabushiki Kaisha**, Tokyo (JP); **Casio Denshikougyou Kabushiki Kaisha**, Saitma (JP)

(74) *Attorney, Agent, or Firm*—Frishauf, Holtz, Goodman & Chick, P.C.

(**) Term: **14 Years**

(57) **CLAIM**

(21) Appl. No.: **29/243,049**

The ornamental design for a photoconductor cartridge, as shown.

(22) Filed: **Nov. 17, 2005**

DESCRIPTION

(51) **LOC (8) Cl.** **16-03**

FIG. 1 is a front, top, left side perspective view of a photoconductor cartridge showing our new design;

(52) **U.S. Cl.** **D18/43**

FIG. 2 is a front elevation view thereof, shown at a reduced scale;

(58) **Field of Classification Search** D14/462, D14/469-471; D18/12, 36, 40, 43, 44, 56; 222/DIG. 1; 347/197, 222; 399/24-28, 399/107-112, 119, 121, 122, 222-224
See application file for complete search history.

FIG. 3 is a rear elevation view thereof;

FIG. 4 is a left side elevation view thereof, shown at an enlarged scale;

(56) **References Cited**

FIG. 5 is a right side elevation view thereof;

U.S. PATENT DOCUMENTS

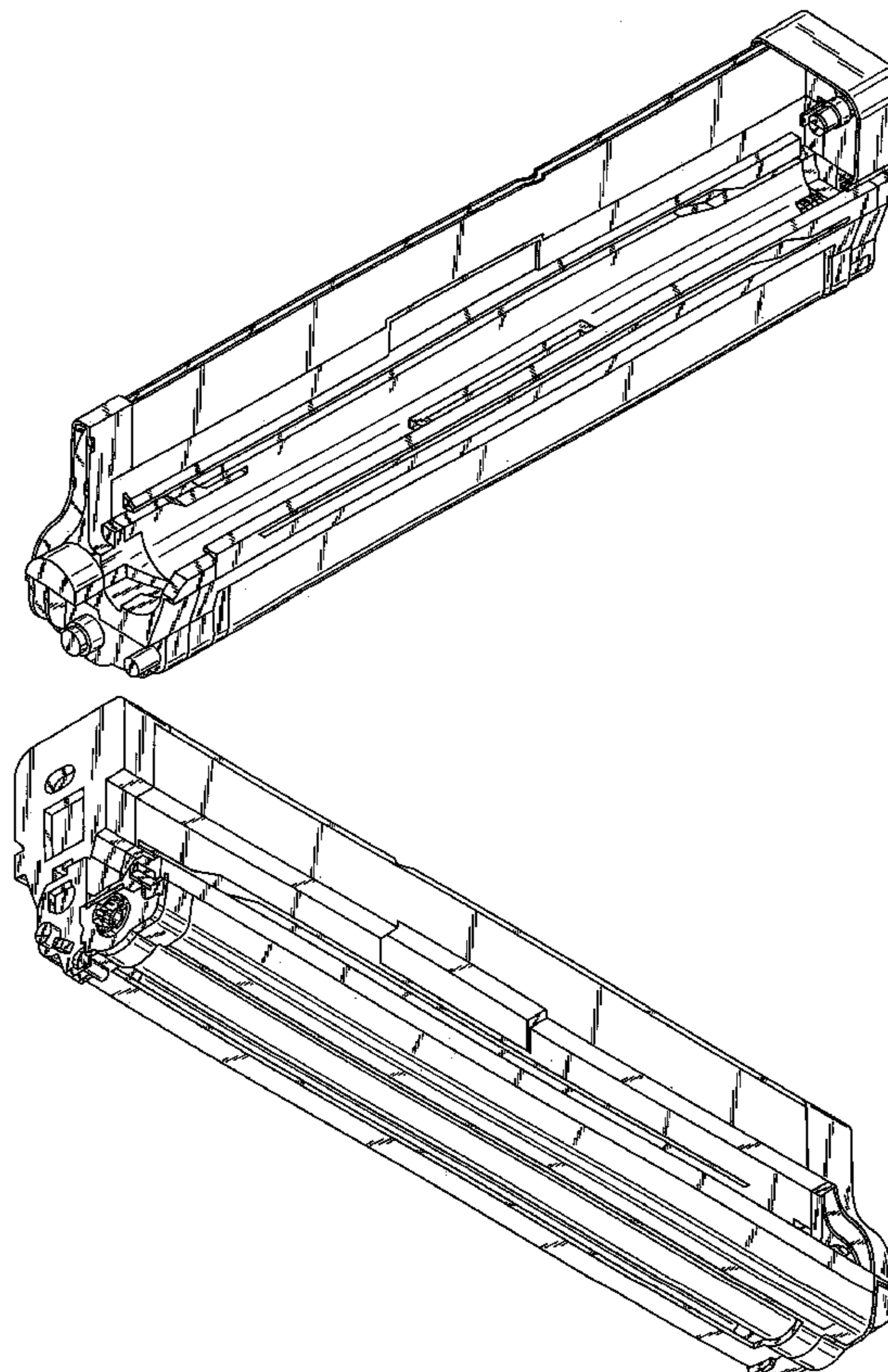
FIG. 6 is a top plan view thereof, shown at a reduced scale;

4,965,640	A *	10/1990	Watarai et al.	399/122
6,226,476	B1 *	5/2001	Miyabe et al.	399/111
D448,042	S *	9/2001	Hale et al.	D18/43
D524,850	S *	7/2006	Hashimoto et al.	D18/43
D537,110	S *	2/2007	Nakata et al.	D18/40

FIG. 7 is a bottom plan view thereof, and,

FIG. 8 is a rear, bottom, right side perspective view thereof, shown at an enlarged scale.

1 Claim, 7 Drawing Sheets



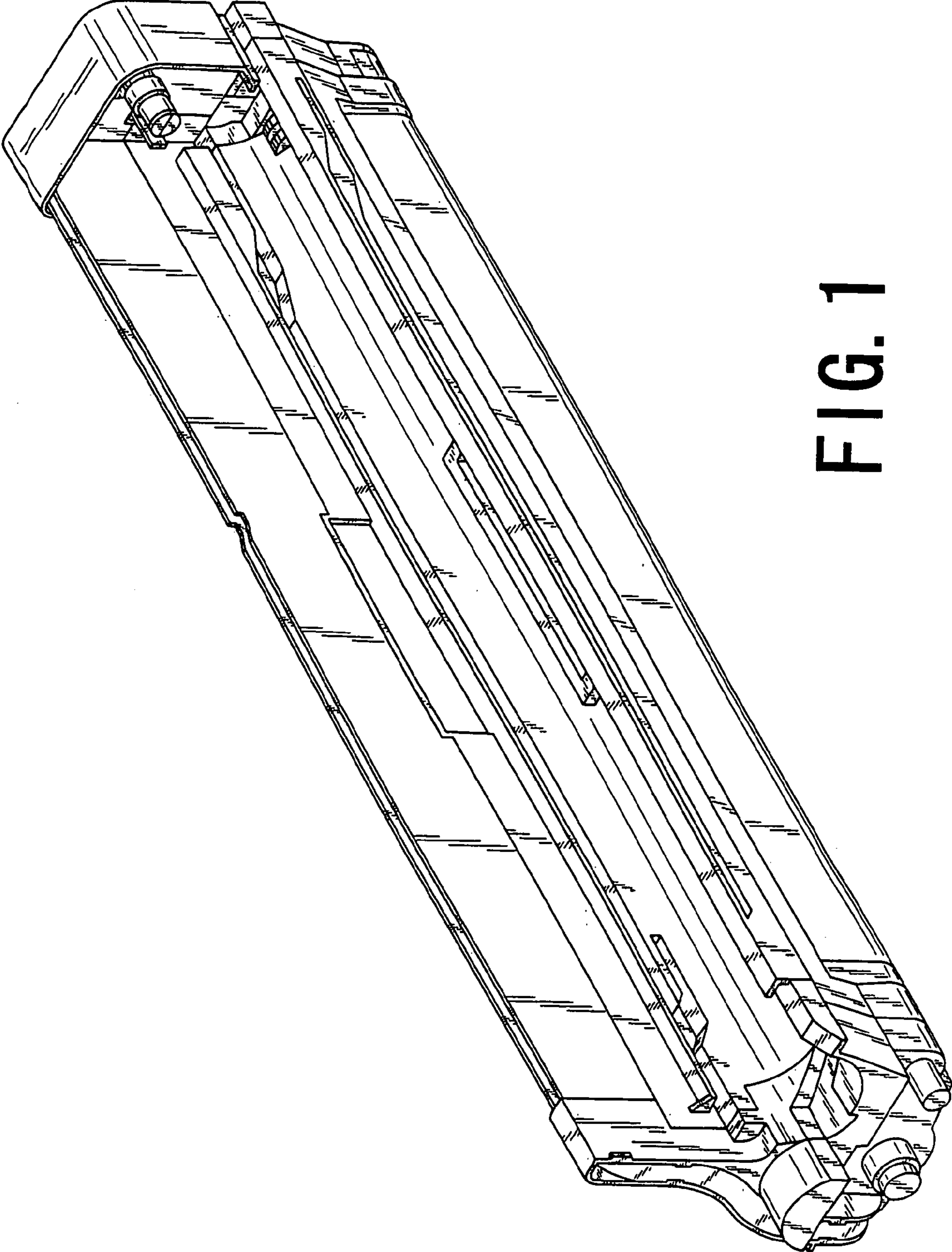


FIG. 1

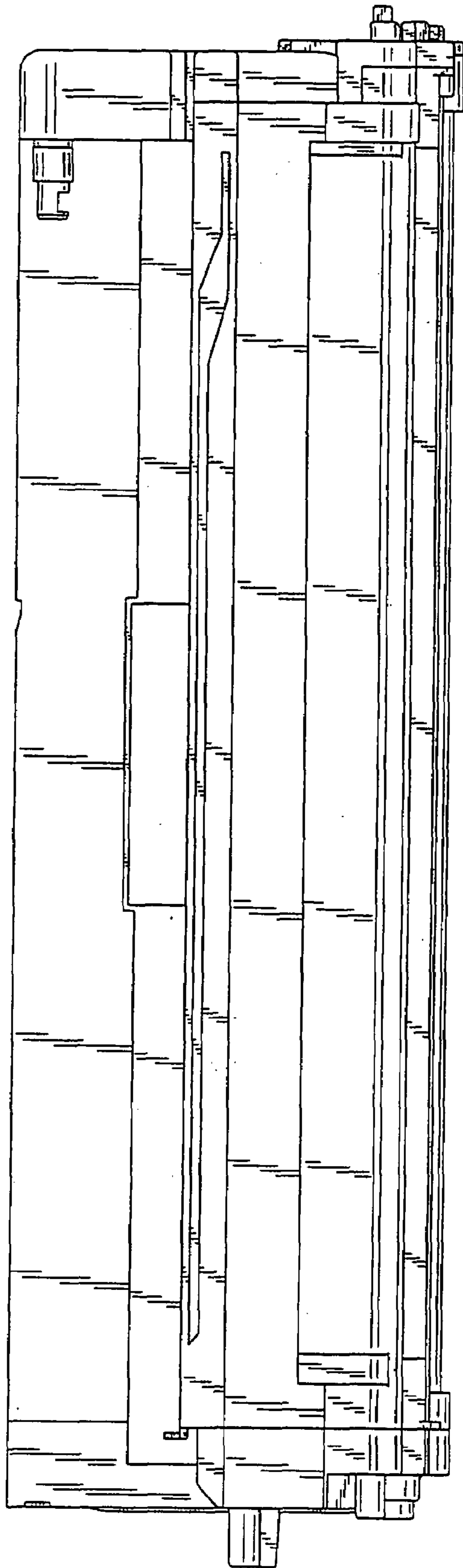


FIG. 2

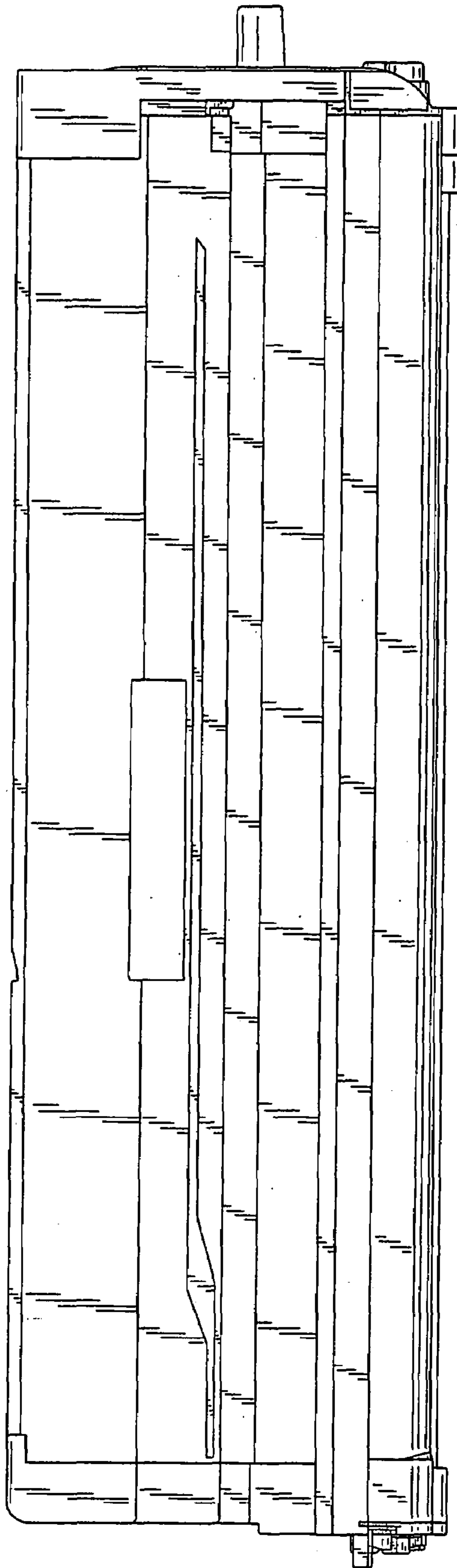


FIG. 3

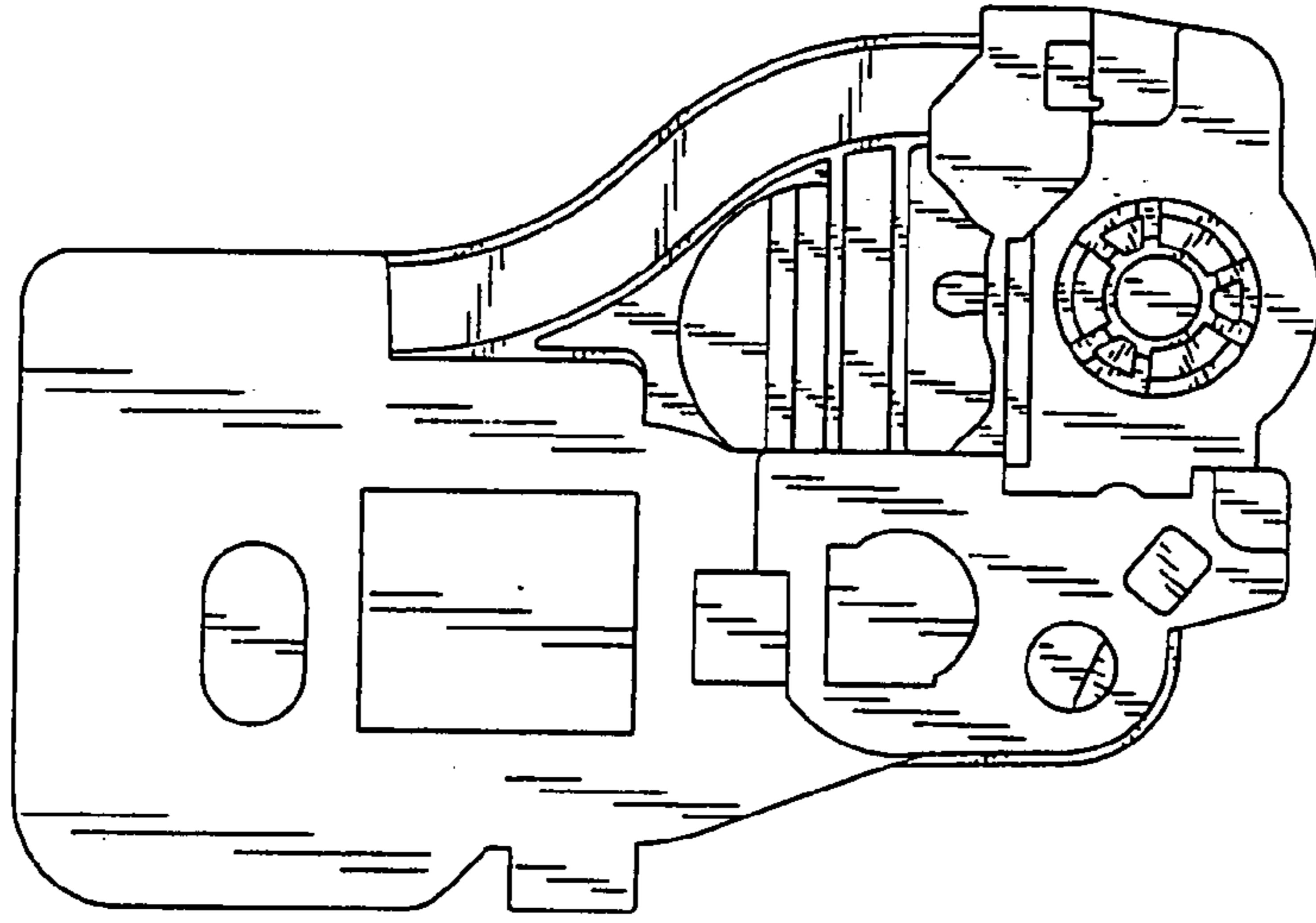


FIG. 5

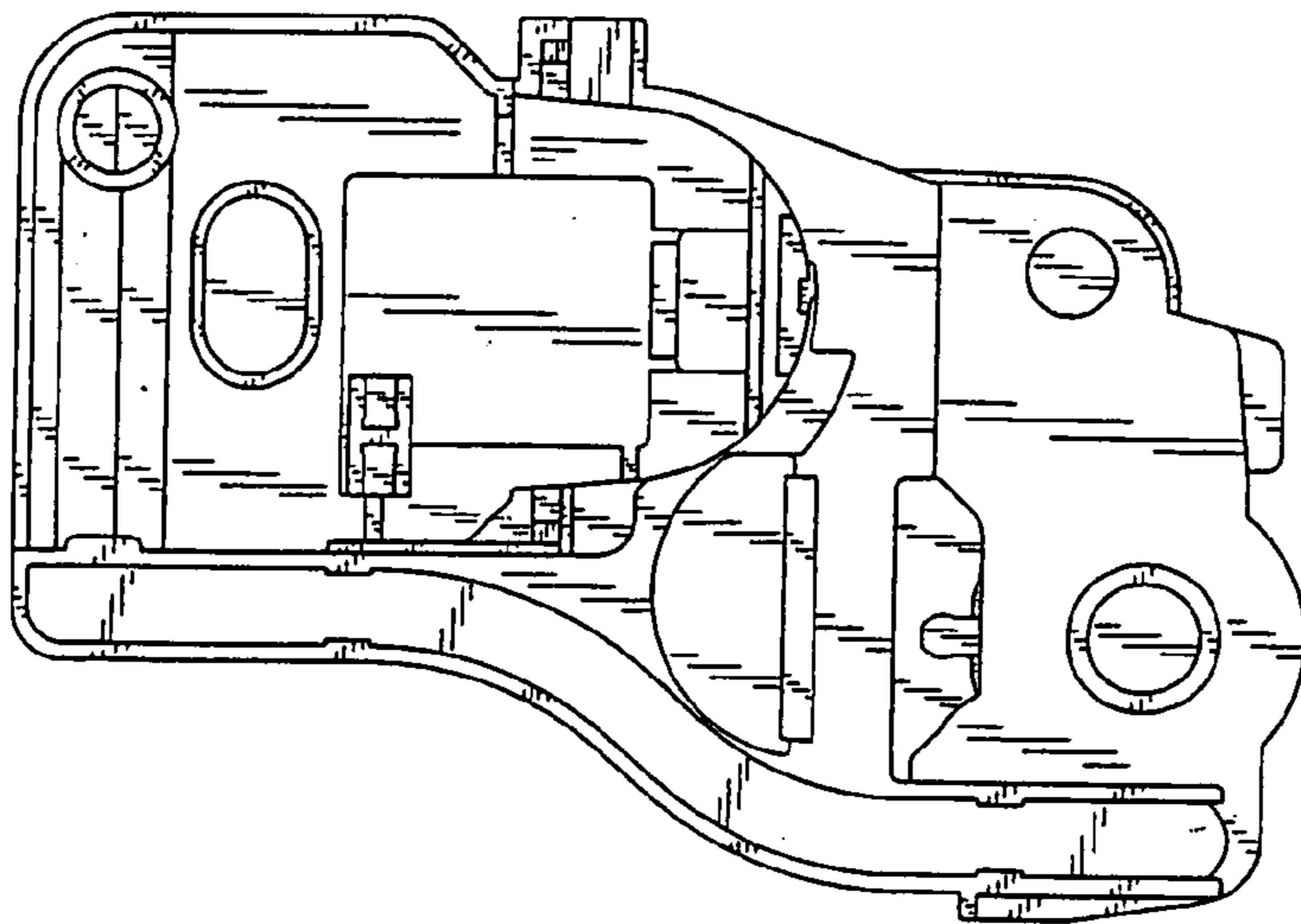


FIG. 4

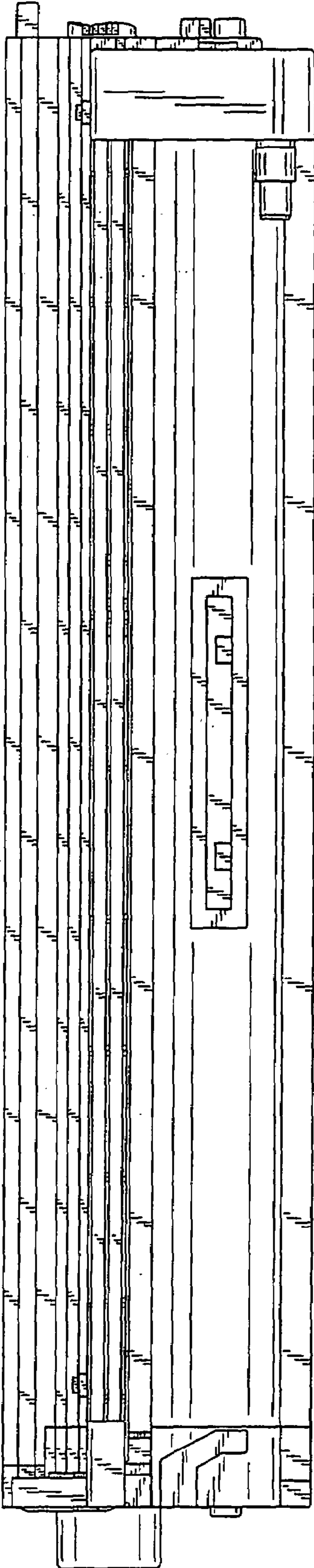


FIG. 6

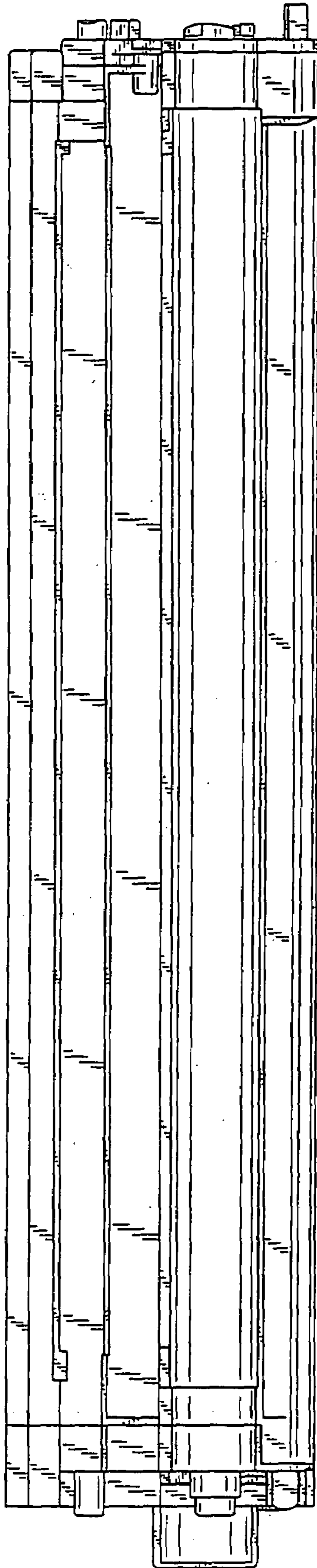


FIG. 7

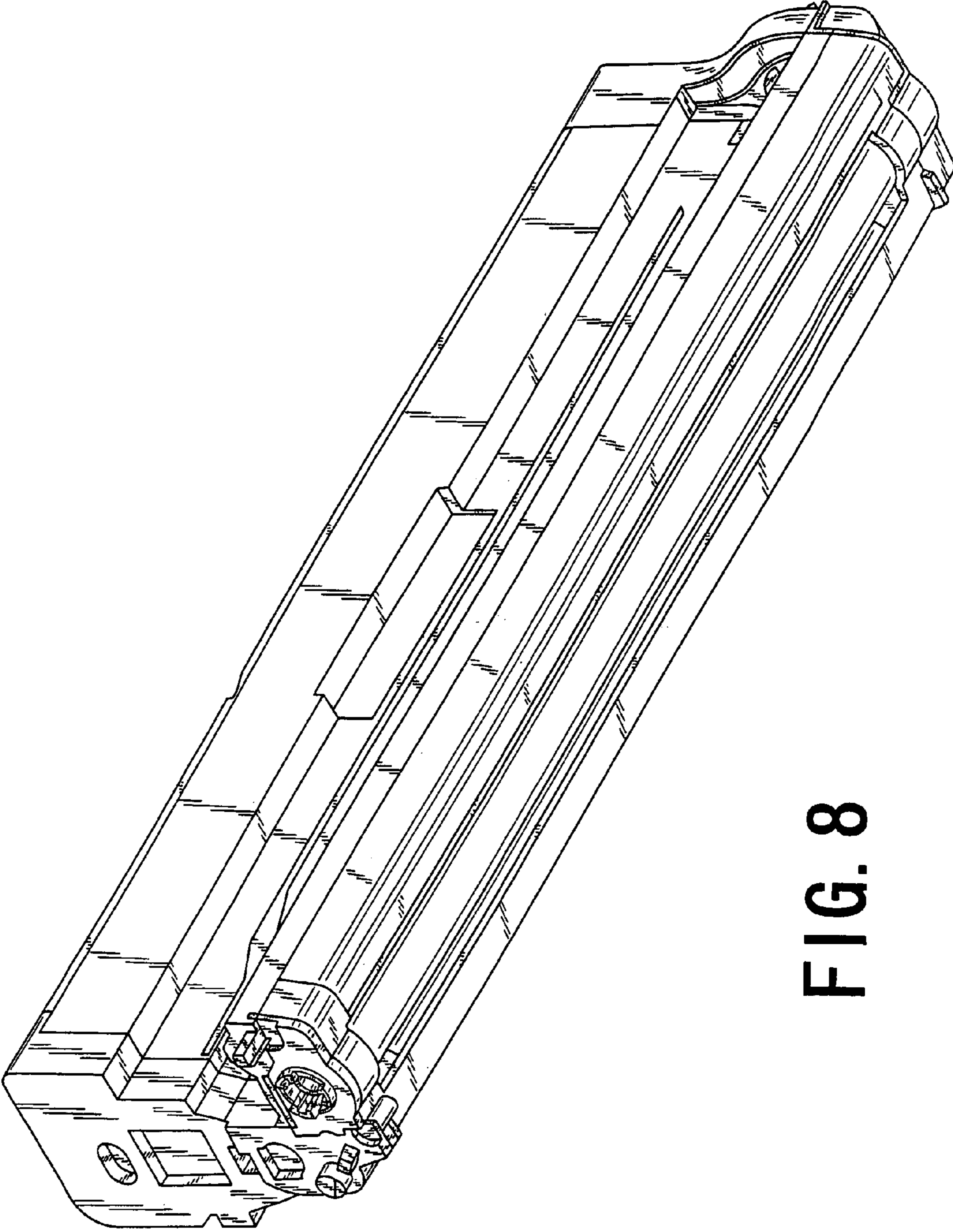


FIG. 8