



US00D552162S

(12) **United States Design Patent**
Fukuoka et al.

(10) **Patent No.:** **US D552,162 S**
(45) **Date of Patent:** **** Oct. 2, 2007**

(54) **ELECTRONIC HI-HAT CYMBAL**
(75) Inventors: **Akihiko Fukuoka**, Kita-ku (JP);
Kiyoshi Yoshino, Kita-ku (JP)
(73) Assignee: **Roland Corporation**, Hamamatsu (JP)
(**) Term: **14 Years**

Primary Examiner—Ian Simmons
Assistant Examiner—Christopher Lee
(74) *Attorney, Agent, or Firm*—Foley & Lardner LLP

(21) Appl. No.: **29/205,590**
(22) Filed: **May 18, 2004**

(57) **CLAIM**

The ornamental design for an electronic hi-hat cymbal, as shown and described.

(30) **Foreign Application Priority Data**
Jan. 13, 2004 (JP) 2004-000492
(51) **LOC (8) Cl.** **17-04**
(52) **U.S. Cl.** **D17/22**
(58) **Field of Classification Search** D17/22;
84/402-410, 411, 412-421, 422.1, 422.2,
84/422.3, 422.4, 723-746, DIG. 12, DIG. 24
See application file for complete search history.

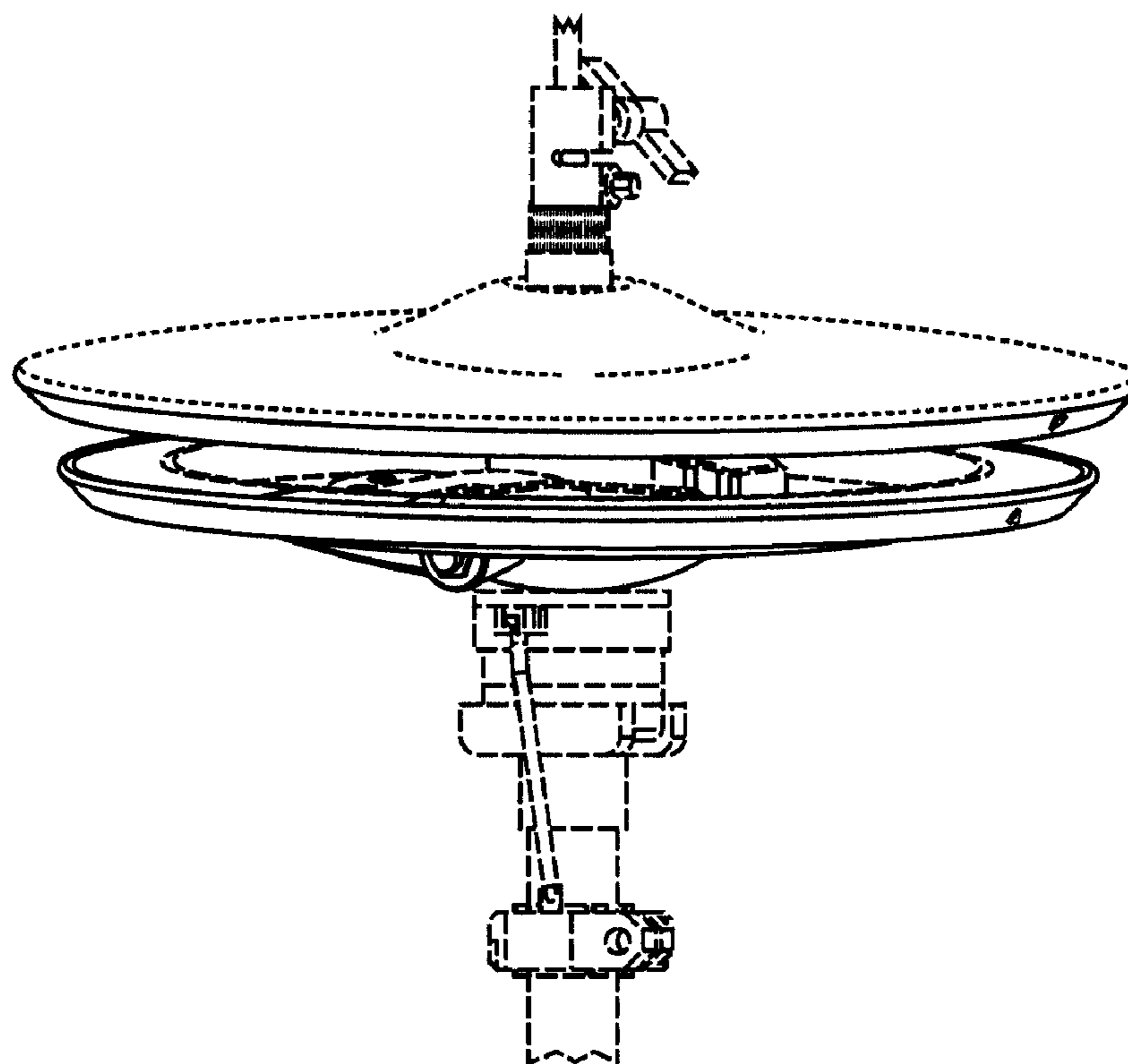
DESCRIPTION

FIG. 1 is a perspective view of an electronic hi-hat cymbal showing our new design in a separate state;
FIG. 2 is a perspective view thereof, resting at an angle relative to the axis at the support stand;
FIG. 3 is a perspective view thereof, the cymbal in the closed state and resting at an angle with the support stand;
FIG. 4 is a perspective view thereof, the cymbal in the closed state without the support stand;
FIG. 5 is a bottom perspective view thereof;
FIG. 6 is a top plan view thereof;
FIG. 7 is a bottom plan view thereof;
FIG. 8 is a front elevation view thereof;
FIG. 9 is a rear elevation view thereof;
FIG. 10 is a first side elevation view thereof; and,
FIG. 11 is a second side elevation view thereof.
The broken line showing is for illustrative purposes only and forms no part of the claimed design.

(56) **References Cited**
U.S. PATENT DOCUMENTS
3,147,661 A * 9/1964 Padera 84/422.4
D455,453 S * 4/2002 Fukuoka et al. D17/22
D455,775 S * 4/2002 Fukuoka et al. D17/22
6,632,989 B2 * 10/2003 Yoshino et al. 84/402

* cited by examiner

1 Claim, 11 Drawing Sheets



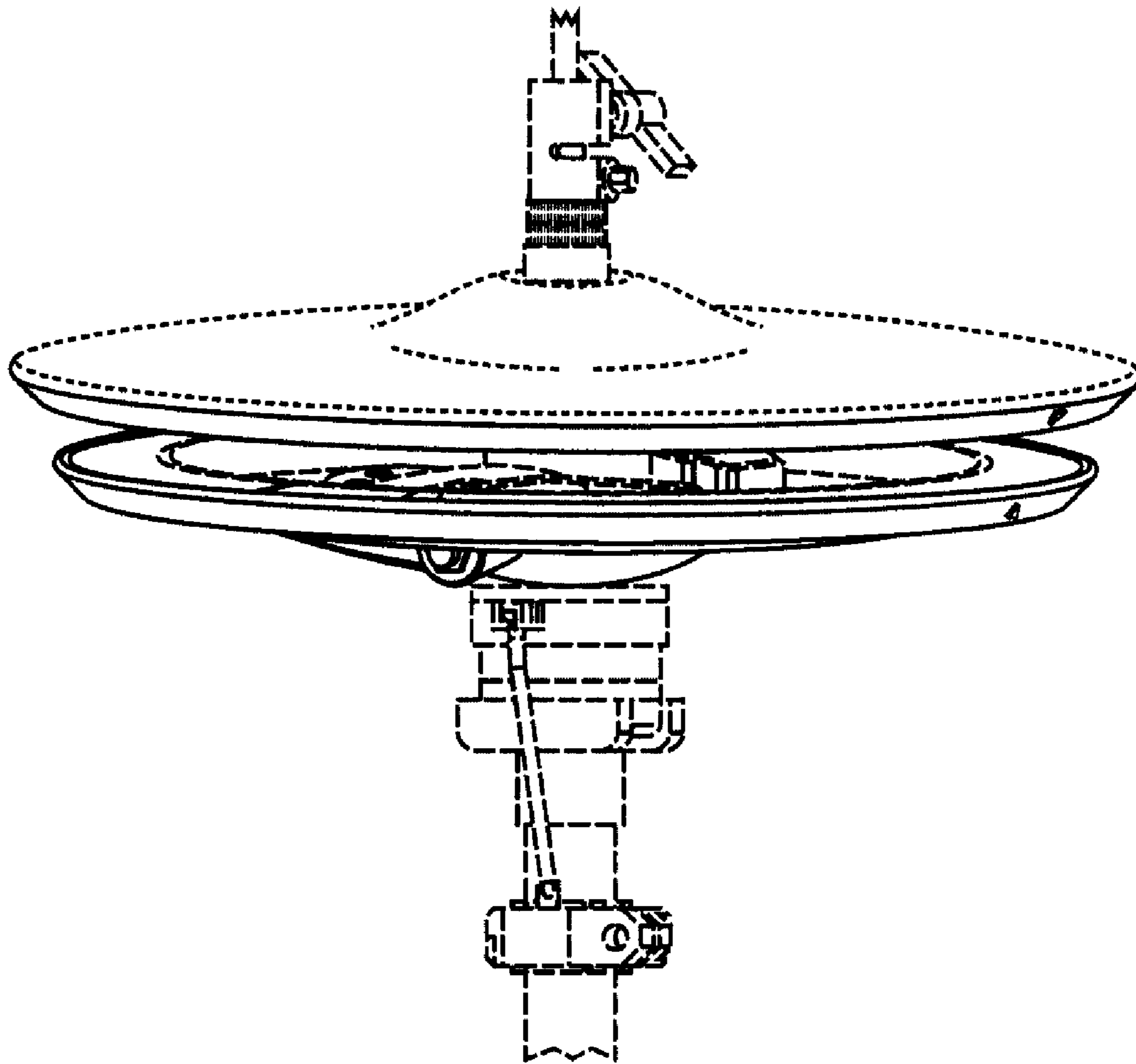


FIG. 1

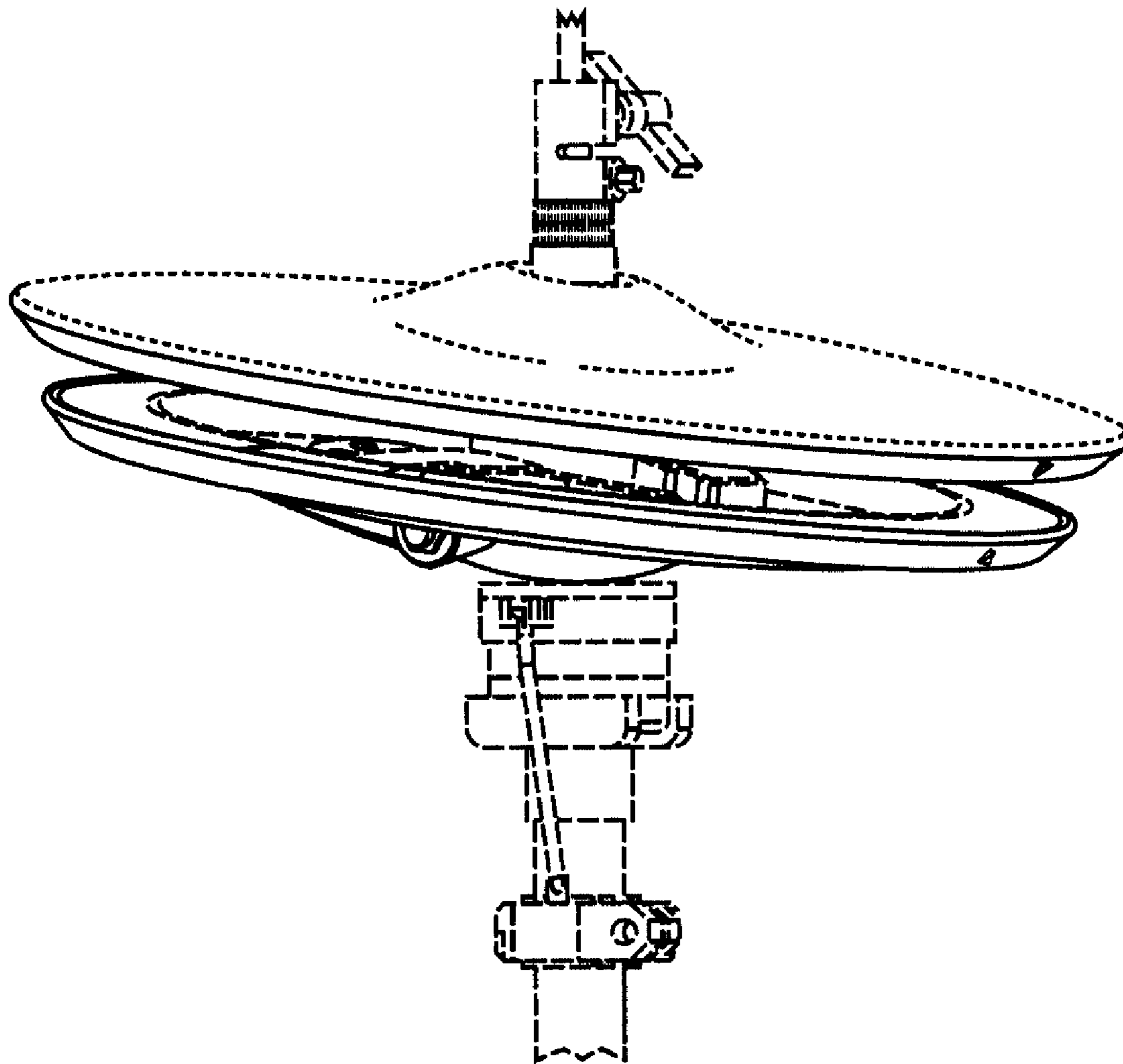


FIG. 2

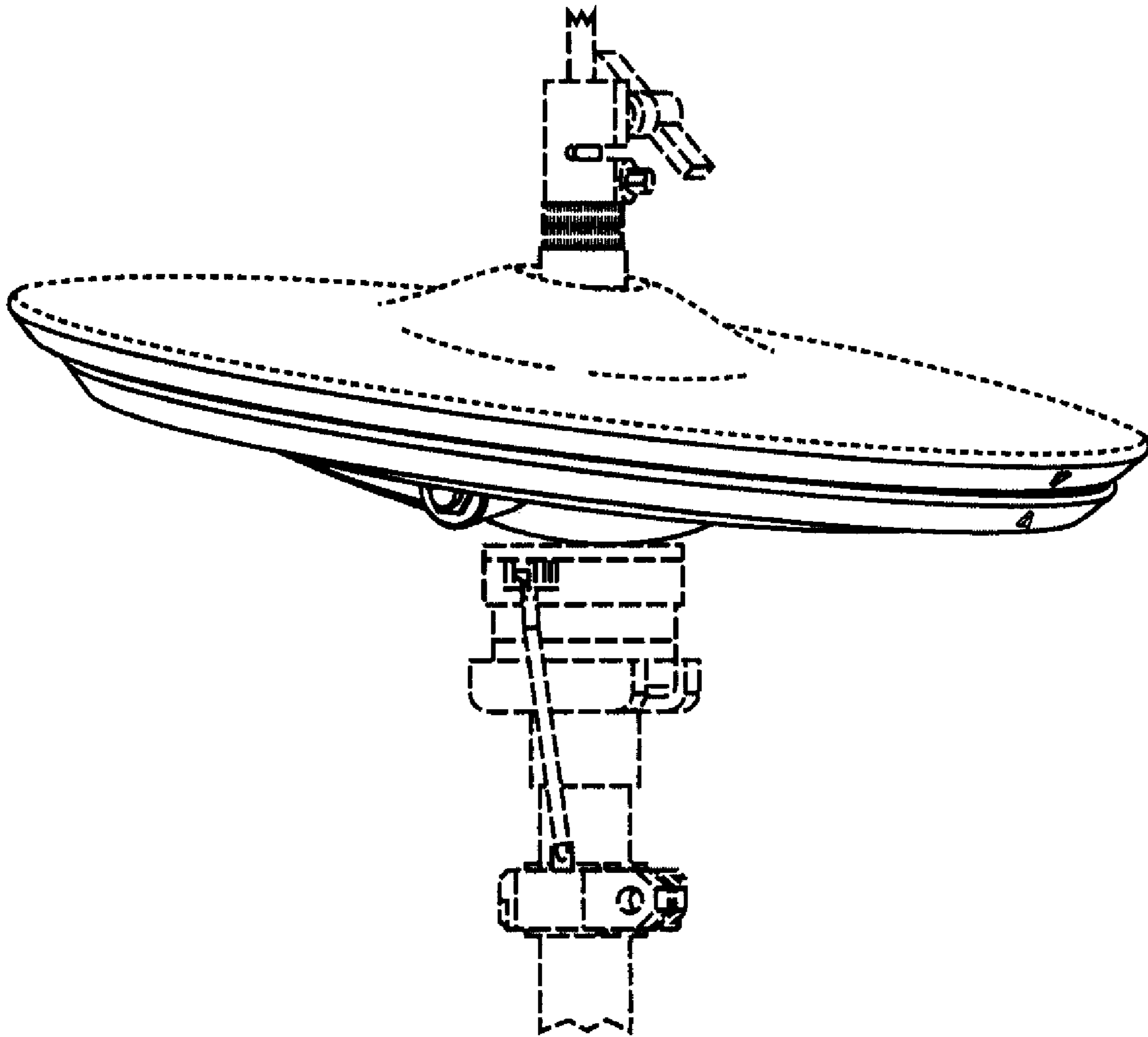


FIG. 3

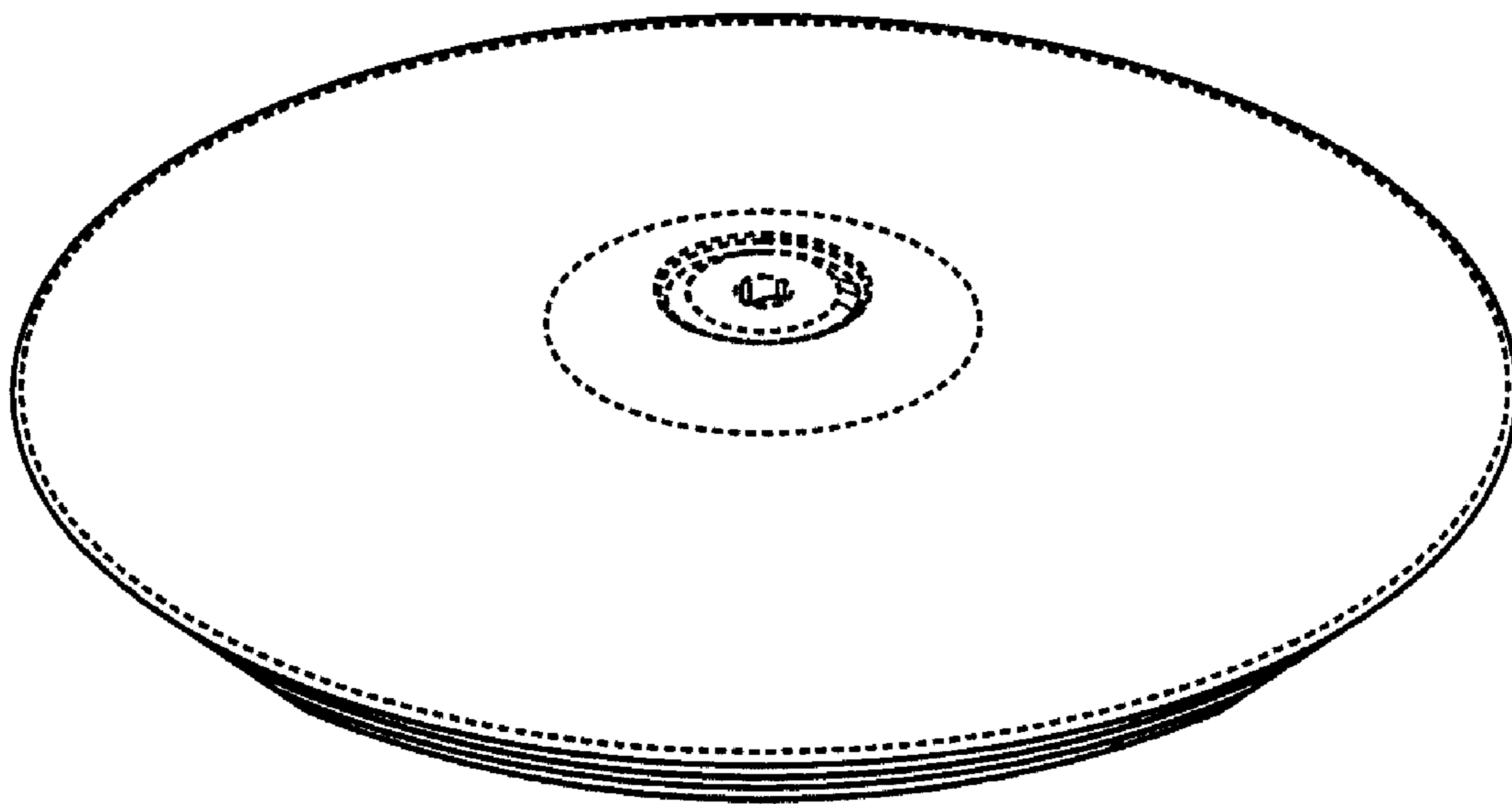


FIG. 4

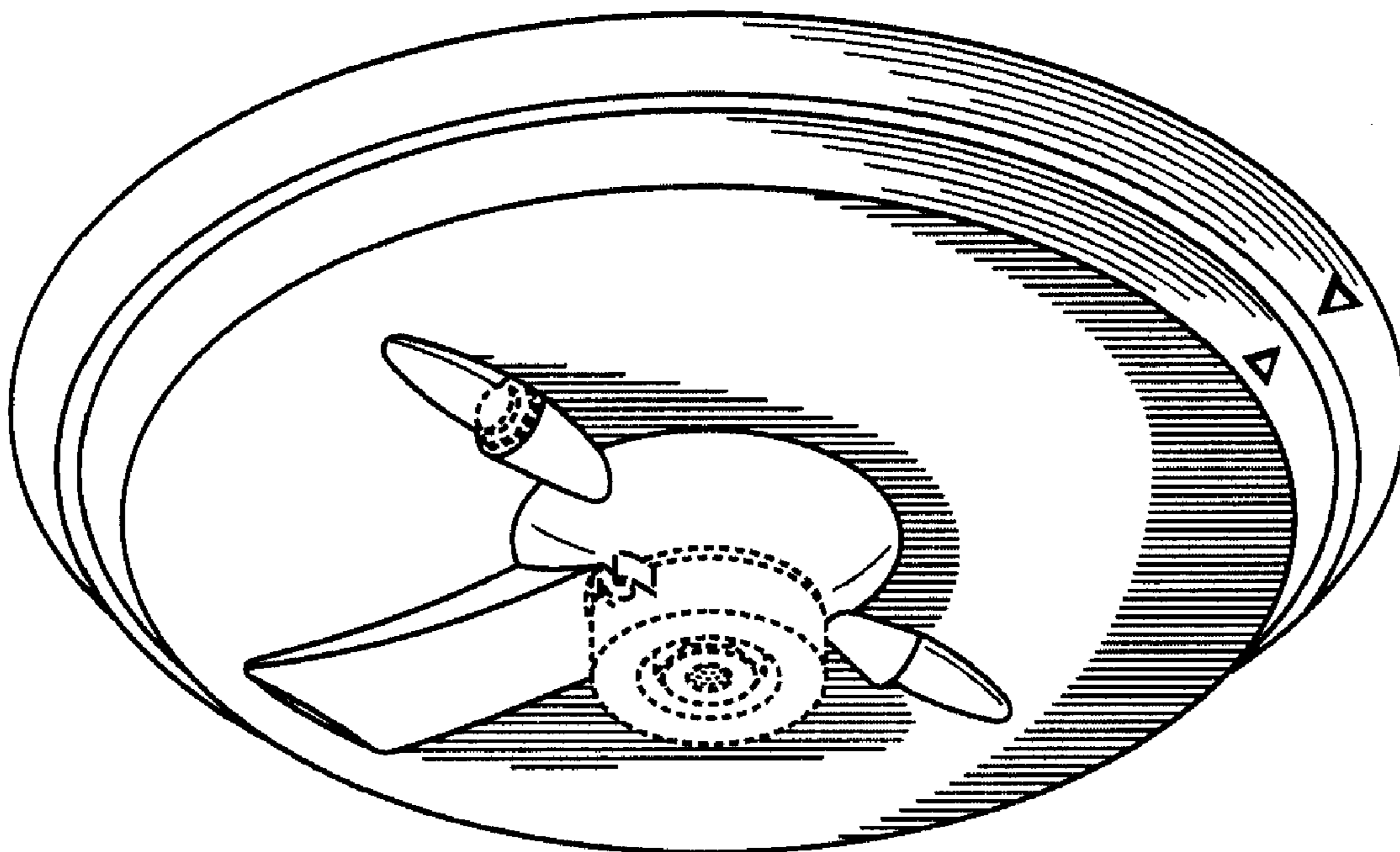


FIG. 5

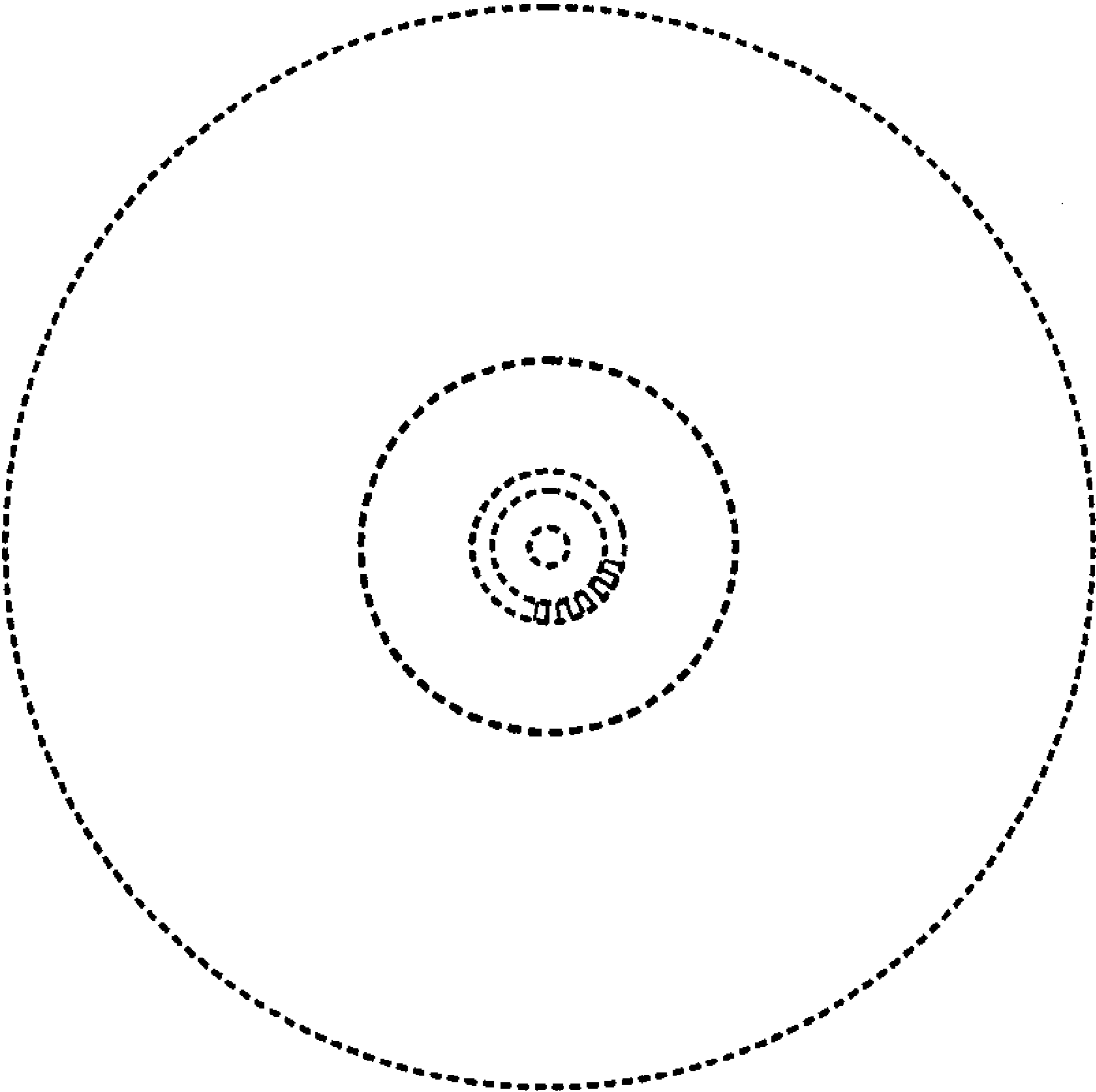


FIG. 6

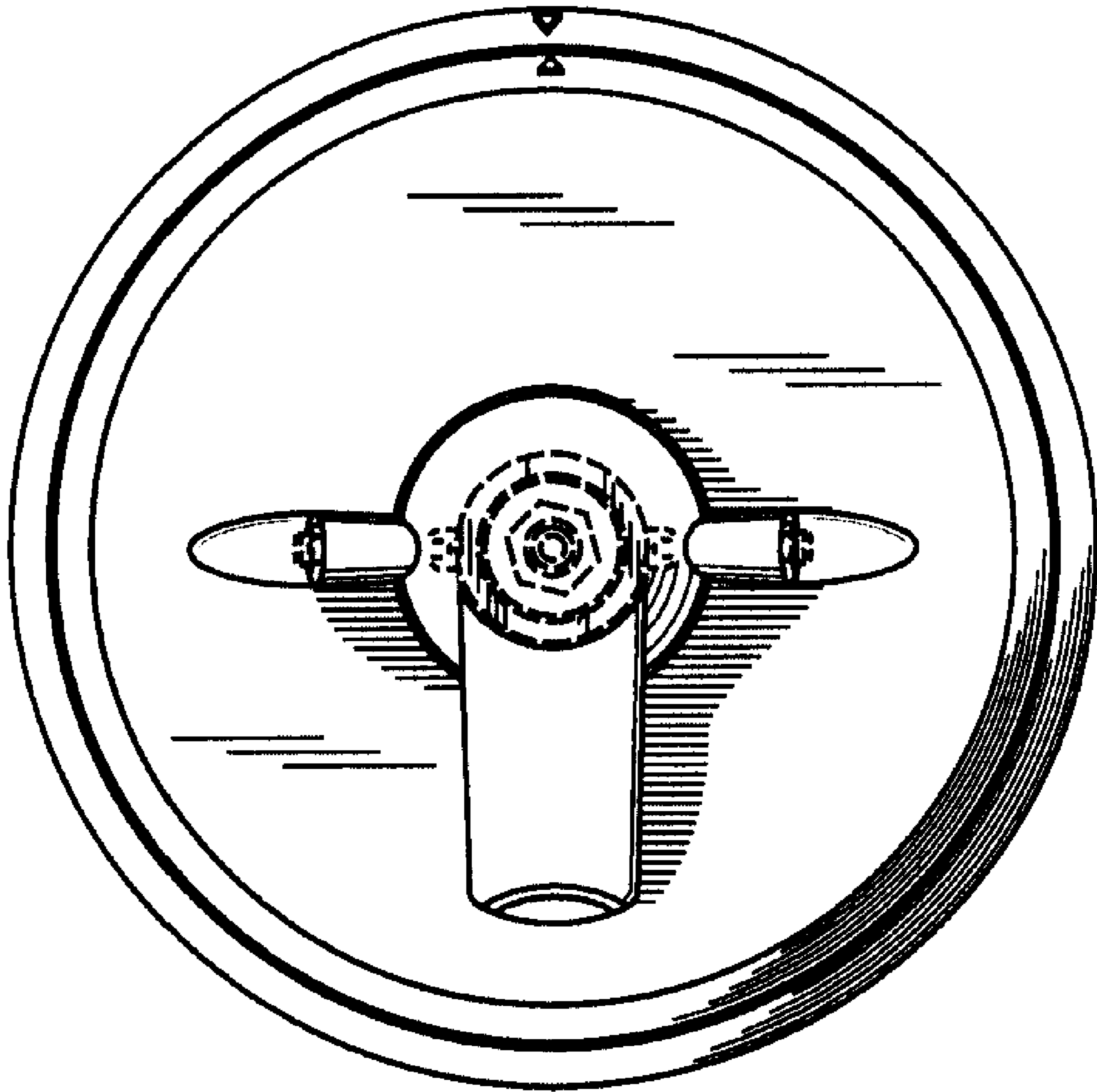


FIG. 7

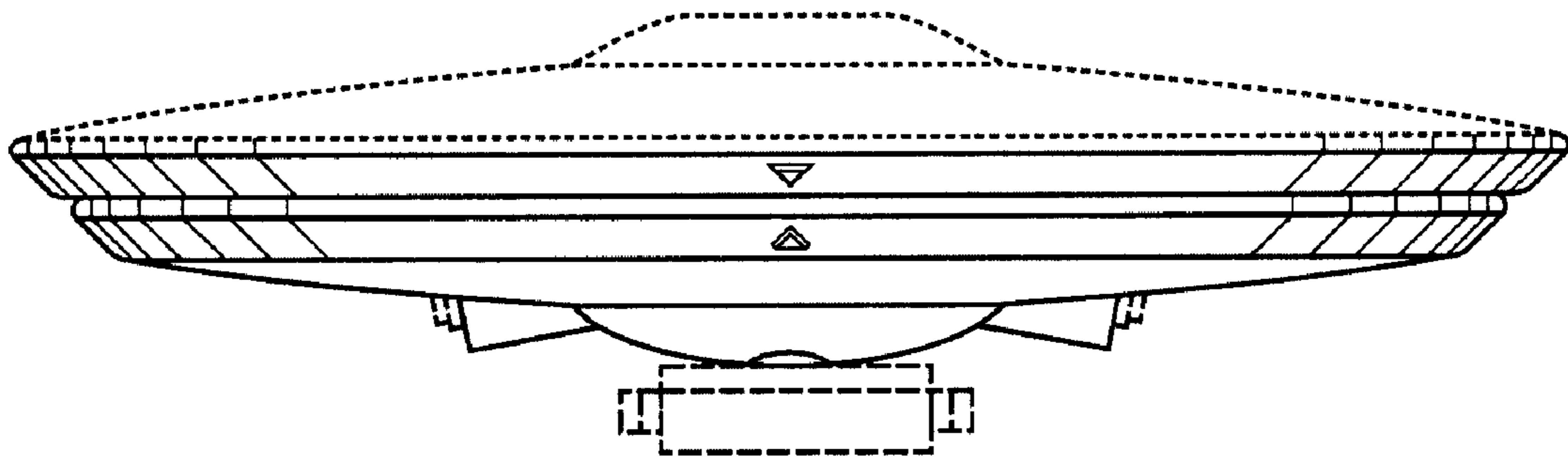


FIG. 8

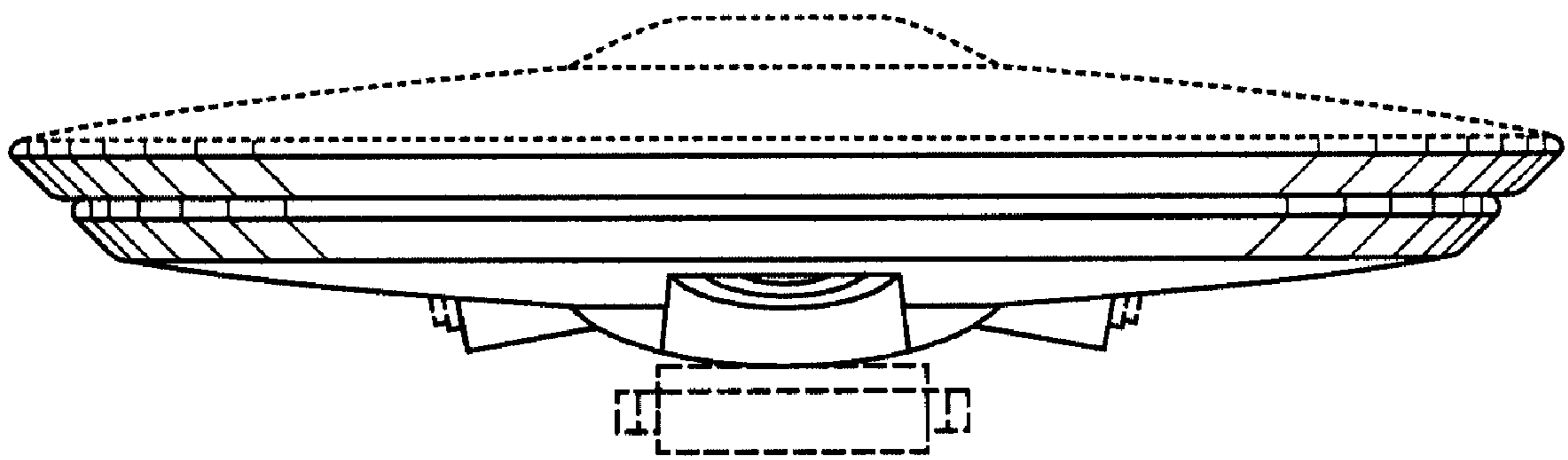


FIG. 9

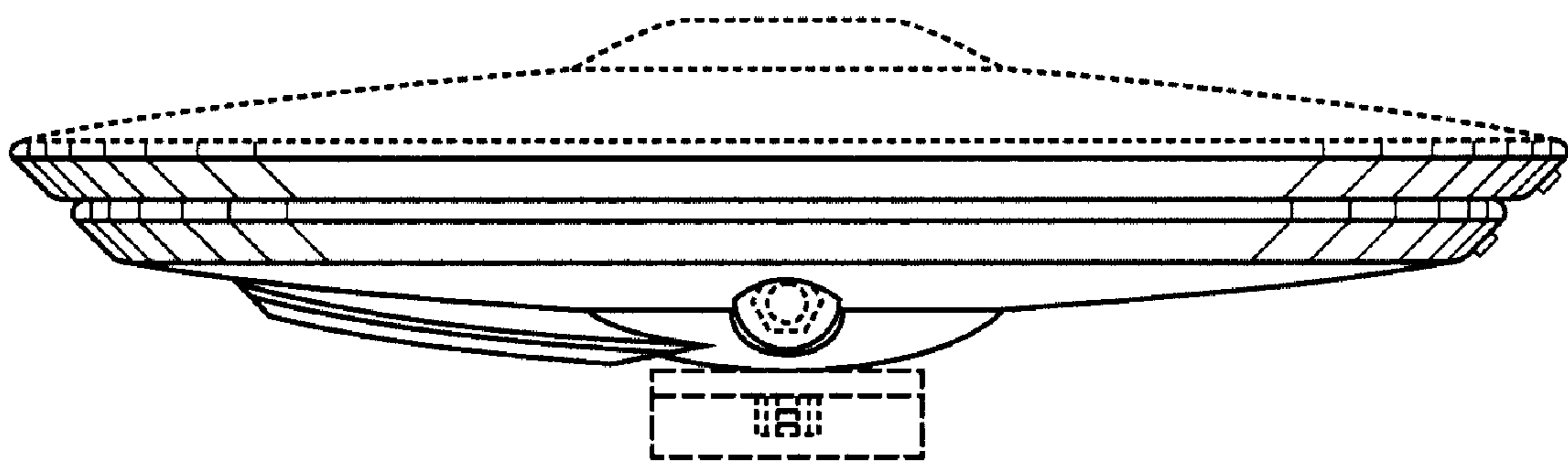


FIG. 10

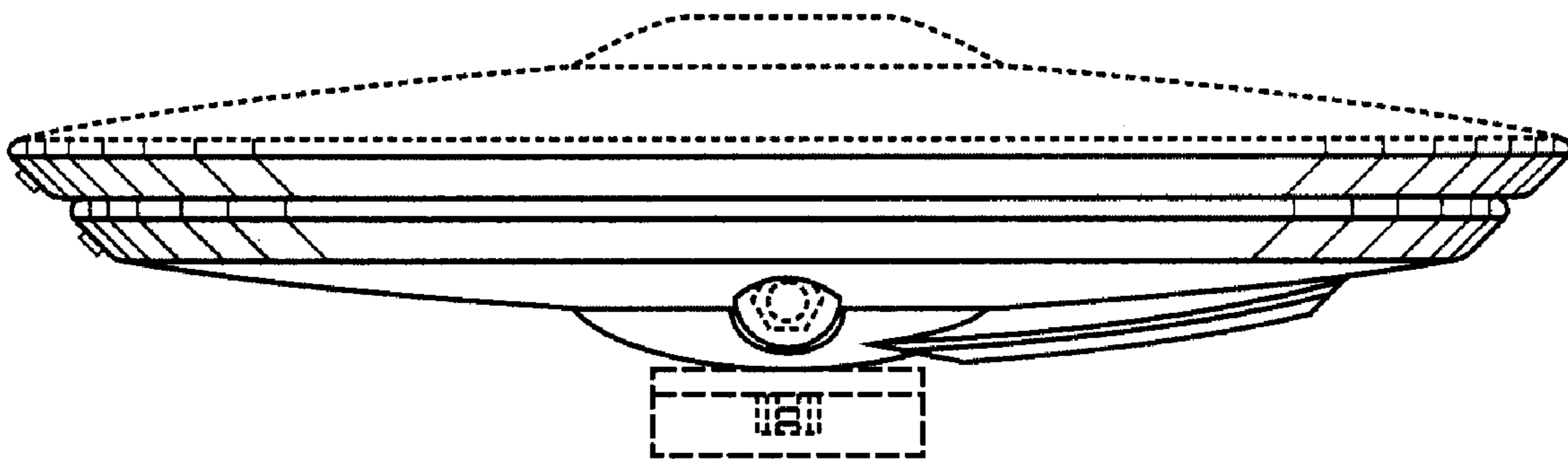


FIG. 11