



US00D552152S

(12) **United States Design Patent**  
**Almond**

(10) **Patent No.:** **US D552,152 S**

(45) **Date of Patent:** **\*\* Oct. 2, 2007**

(54) **UTILITY TRAY FOR TRIPOD**

(76) **Inventor:** **William Chase Almond**, P.O. Box  
1575, Kennedale, TX (US) 76060

(\*\*) **Term:** **14 Years**

(21) **Appl. No.:** **29/265,417**

(22) **Filed:** **Aug. 31, 2006**

(51) **LOC (8) Cl.** ..... **16-04**

(52) **U.S. Cl.** ..... **D16/249; D16/242; D16/245**

(58) **Field of Classification Search** ..... D16/245,  
D16/242, 249, 250; D6/510, 511, 512, 513,  
D6/553, 567, 574, 300, 309, 310; 108/152,  
108/147.17, 157.13; 211/186.01, 107, 203;  
248/42, 122.1, 121, 177.1, 126, 286.1, 918,  
248/176.1, 920, 187.1, 688, 183.2, 200, 231.31,  
248/122; 396/419, 428, 427, 525, 536, 537,  
396/538, 539, 540, 541, 3, 4  
See application file for complete search history.

(56) **References Cited**

**U.S. PATENT DOCUMENTS**

- 3,083,053 A \* 3/1963 Dorsey ..... 108/152
- 4,122,955 A \* 10/1978 Celms ..... 108/108
- D403,186 S \* 12/1998 Kopish ..... D6/511
- D407,587 S \* 4/1999 Grabowski ..... D6/511

- 6,065,251 A \* 5/2000 Kindrick ..... 108/157.13
- 6,240,857 B1 \* 6/2001 Elizer ..... 108/152
- 6,591,762 B1 \* 7/2003 Haghayegh ..... 108/42

\* cited by examiner

*Primary Examiner*—Ian Simmons

*Assistant Examiner*—Wan Laymon

(74) *Attorney, Agent, or Firm*—James E. Walton

(57) **CLAIM**

The ornamental design for a utility tray for tripod, as shown and described.

**DESCRIPTION**

FIG. 1 is a perspective view of a utility tray for tripod showing my new design;

FIG. 2 is a top view thereof;

FIG. 3 is a bottom view thereof;

FIG. 4 is a front view thereof;

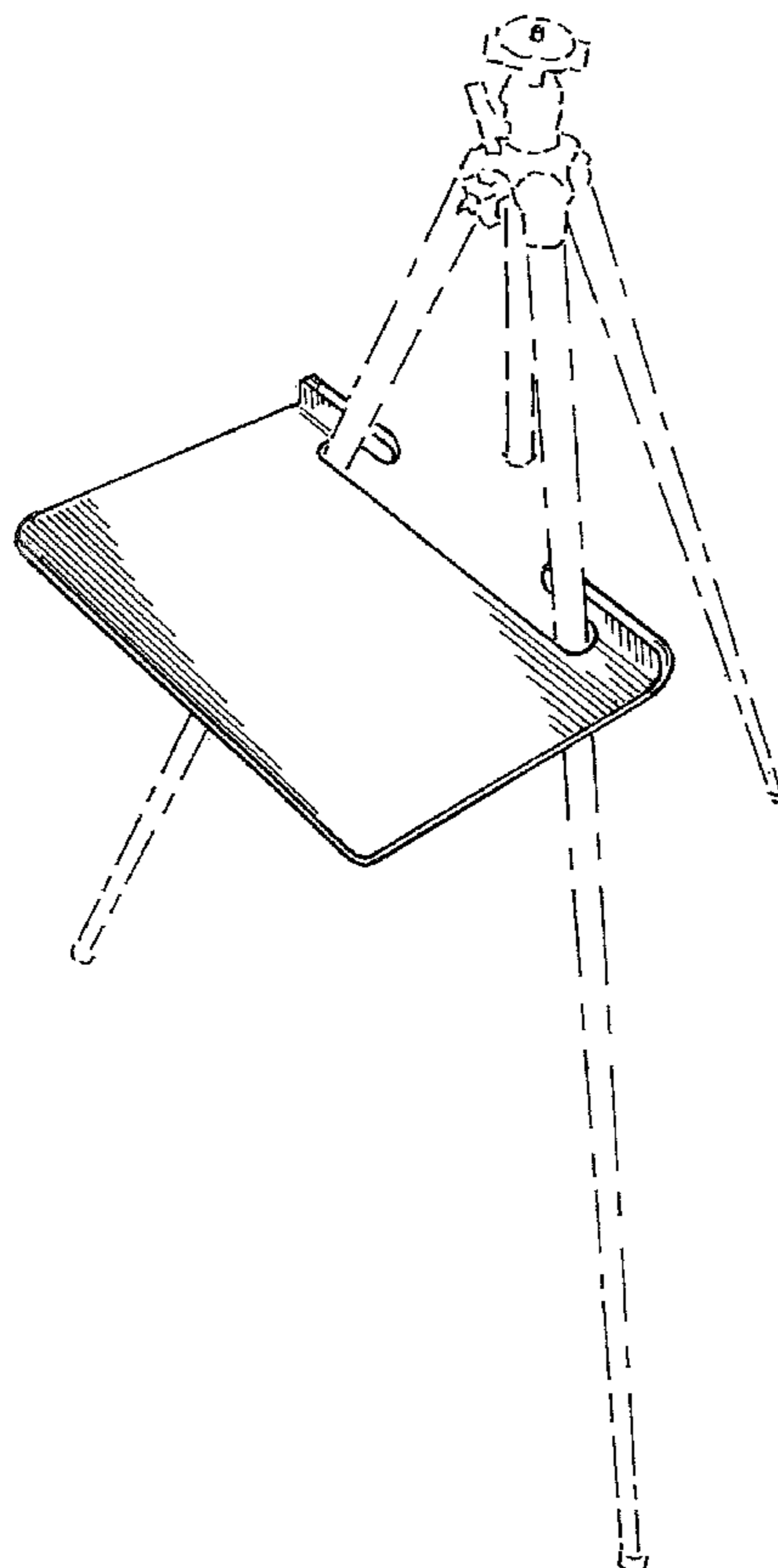
FIG. 5 is a rear view thereof;

FIG. 6 is a left side view thereof; and,

FIG. 7 is a right side view thereof.

The broken lines in all views are for illustrative purposes only and form no part of the claimed design.

**1 Claim, 3 Drawing Sheets**



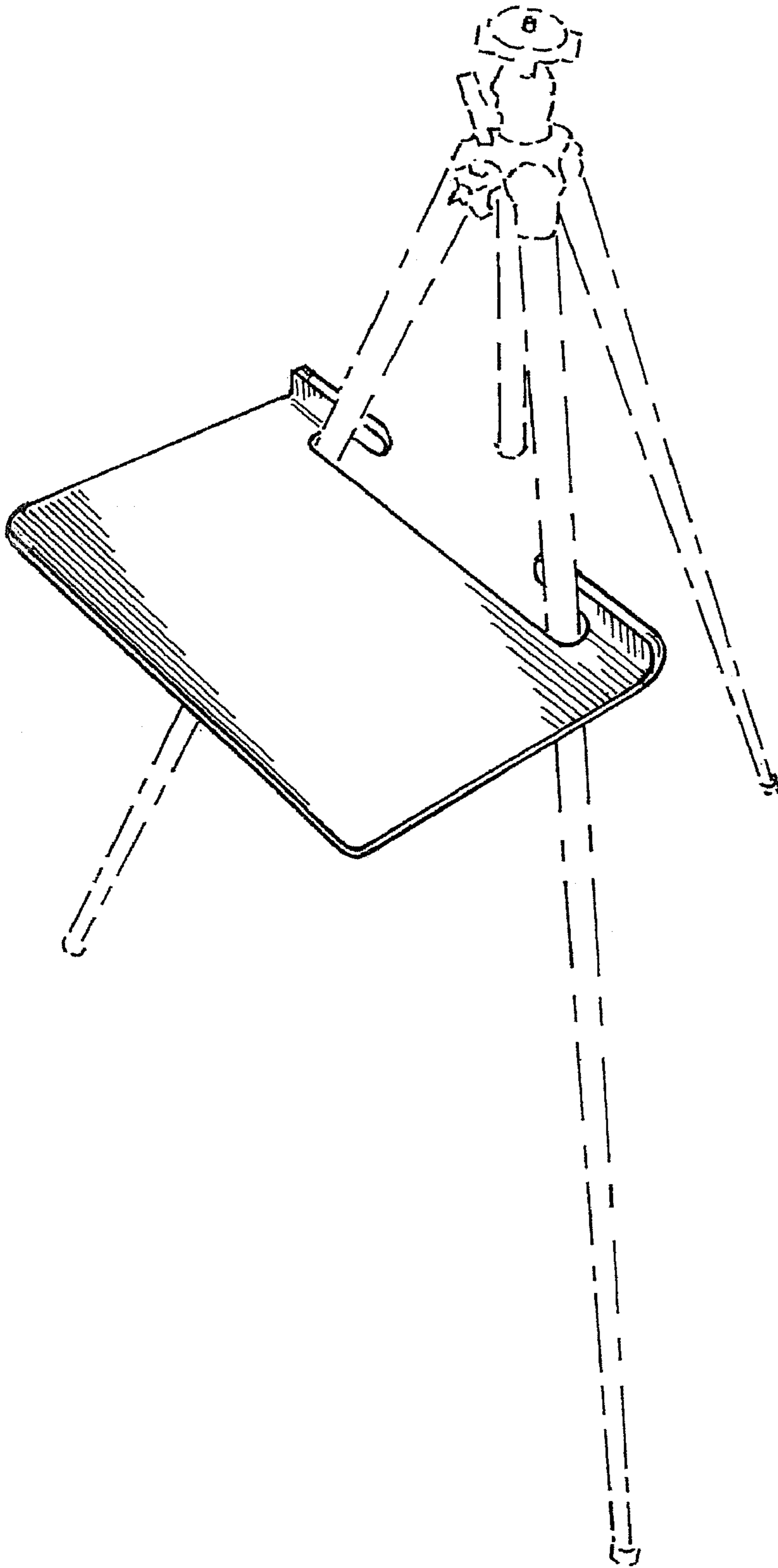


Figure 1



Figure 5

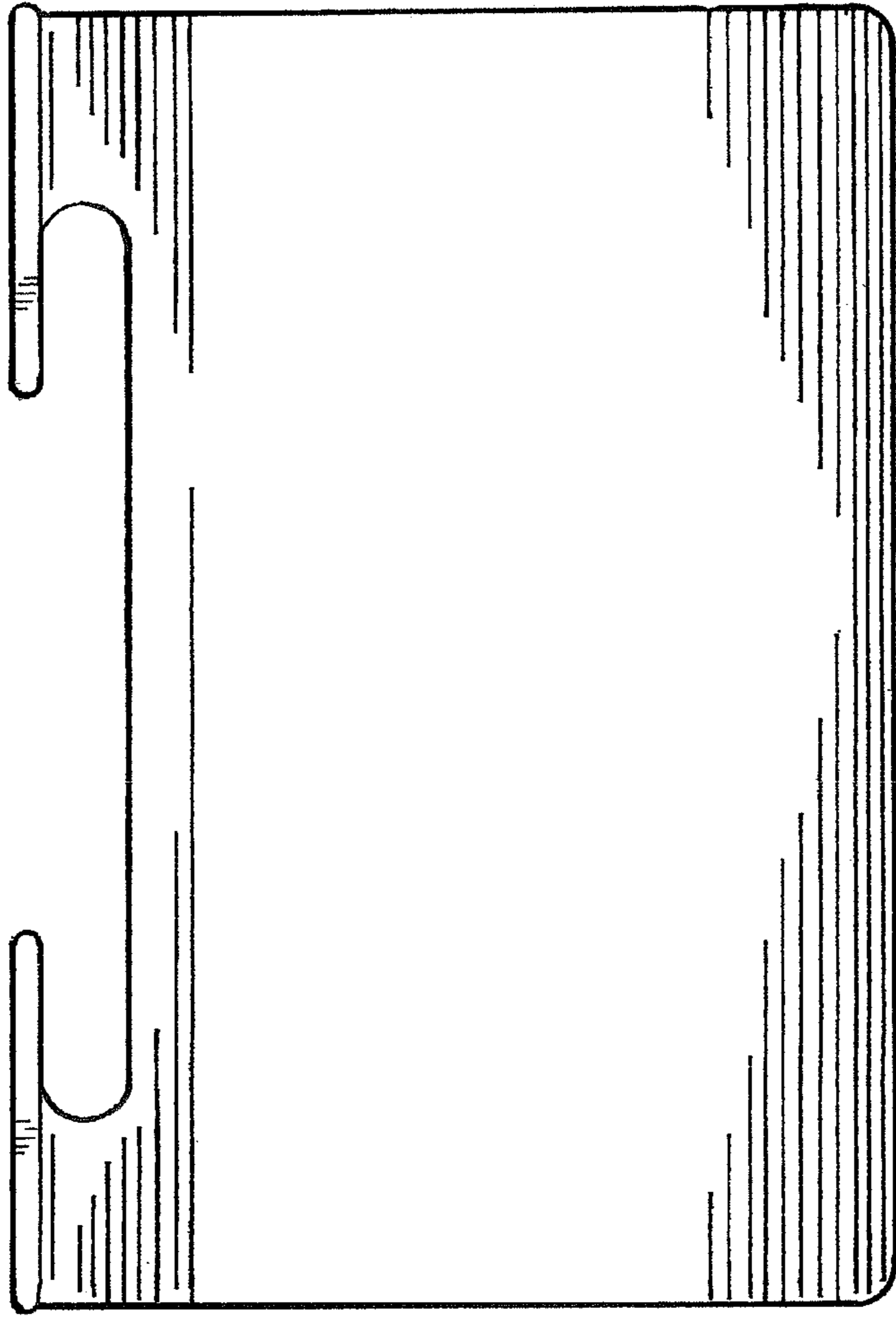


Figure 2



Figure 7



Figure 6

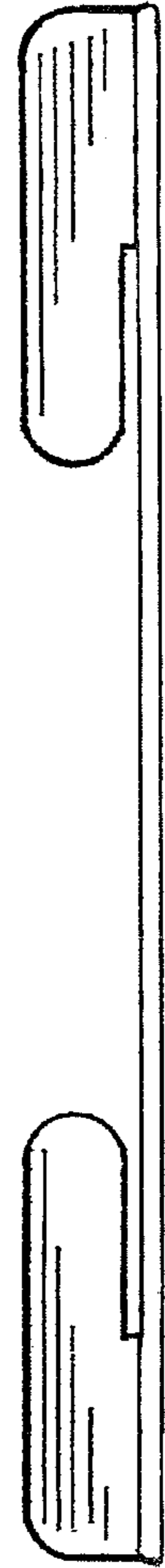


Figure 4

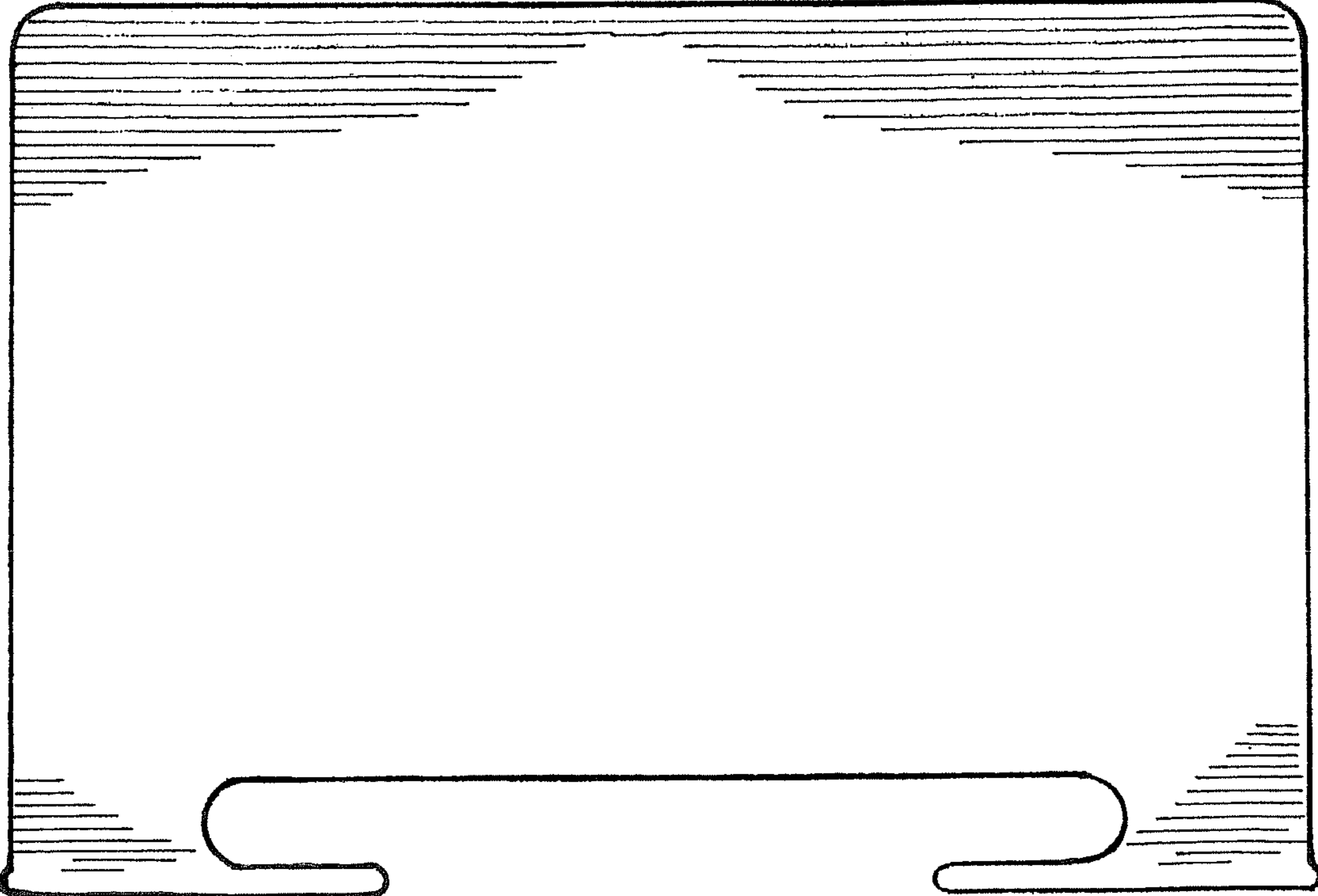


Figure 3