



US00D552151S

(12) **United States Design Patent**
Solomon et al.

(10) **Patent No.:** **US D552,151 S**
(45) **Date of Patent:** **** Oct. 2, 2007**

(54) **PROJECTOR**

(75) Inventors: **Mark C. Solomon**, Corvallis, OR (US);
Peter M. On, San Diego, CA (US)

(73) Assignee: **Hewlett-Packard Development Company, L.P.**, Houston, TX (US)

(**) Term: **14 Years**

(21) Appl. No.: **29/258,096**

(22) Filed: **Apr. 14, 2006**

(51) **LOC (8) Cl.** **16-02**

(52) **U.S. Cl.** **D16/230; D16/225**

(58) **Field of Classification Search** D16/205,
D16/208, 213, 221, 225, 230, 231, 234; D21/514;
353/34, 29, 115, 119, 122, 242

See application file for complete search history.

(56) **References Cited**

U.S. PATENT DOCUMENTS

D387,795 S *	12/1997	Sakamoto	D16/231
D401,955 S *	12/1998	Kawamoto et al.	D16/234
D433,049 S *	10/2000	Murakami	D16/231
D443,631 S *	6/2001	Goto et al.	D16/231
D476,353 S *	6/2003	Morishita et al.	D16/231
6,616,282 B2 *	9/2003	Ozawa	353/119

D498,490 S * 11/2004 Kawasaki et al. D16/231

* cited by examiner

Primary Examiner—Ian Simmons

Assistant Examiner—Wan Laymon

(57) **CLAIM**

The ornamental design for a projector, as shown and described.

DESCRIPTION

FIG. 1 is a perspective view of the projector.

FIG. 2 is a top view of the projector.

FIG. 3 is a bottom view of the projector.

FIG. 4 is a front view of the projector with a sliding lens cover being in an open position.

FIG. 5 is a front view of the projector with a sliding lens cover being in a closed position.

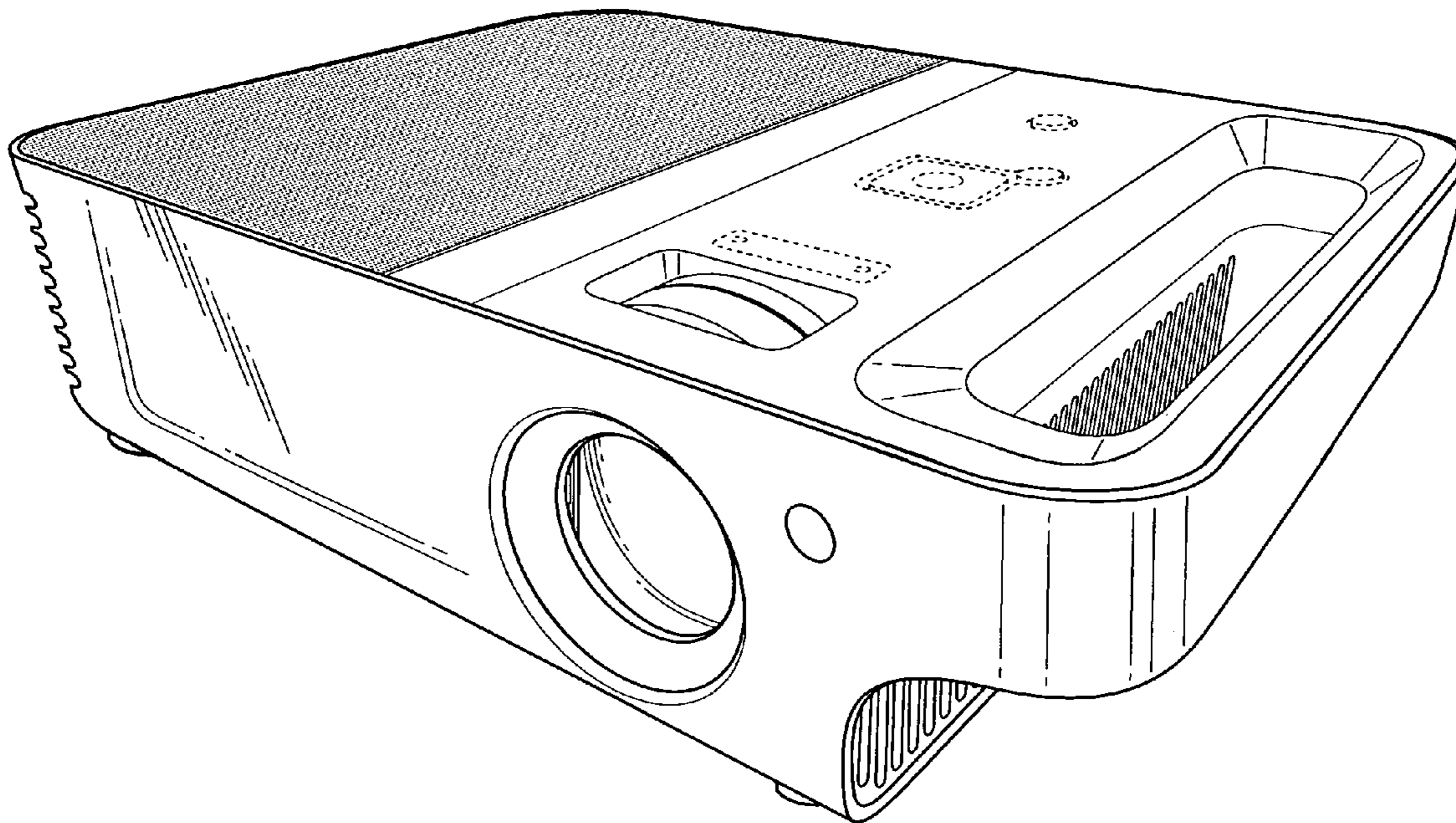
FIG. 6 is a rear view of the projector.

FIG. 7 is a right side elevation view of the projector; and,

FIG. 8 is a left side elevation view of the projector.

The broken lines in the Figures are for illustrative purposes only and form no part of the claimed design.

1 Claim, 8 Drawing Sheets



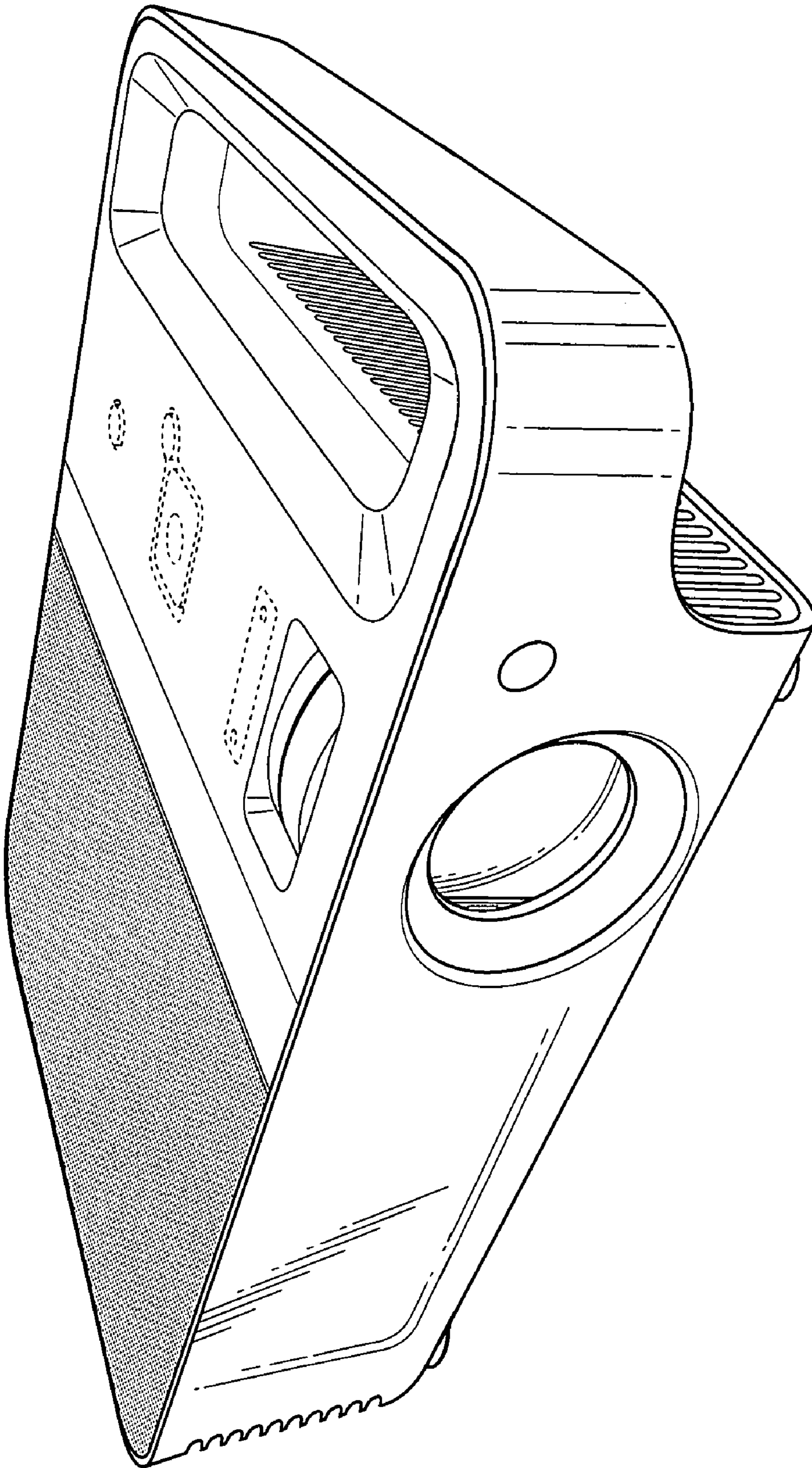


Fig. 1

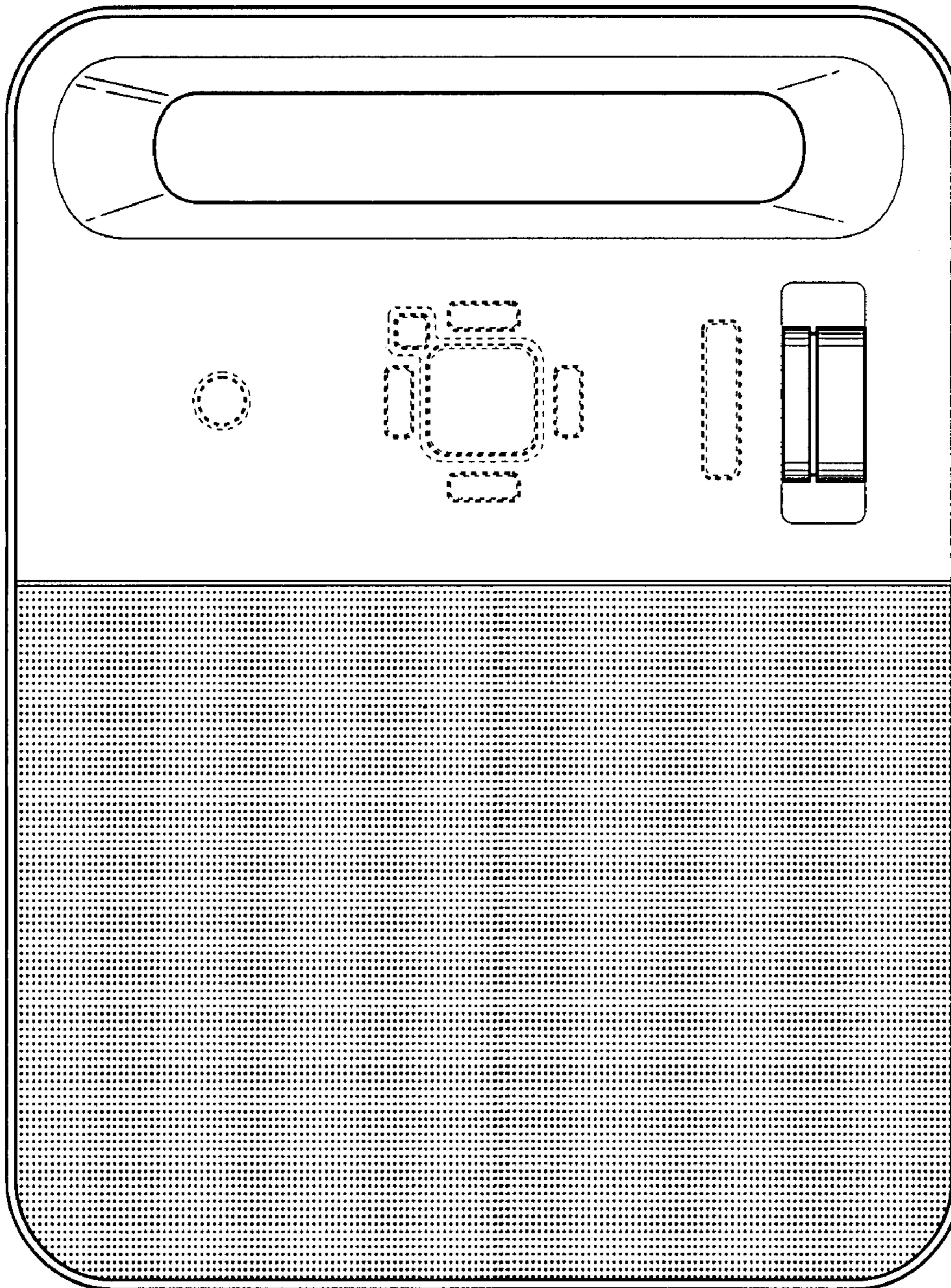


Fig. 2

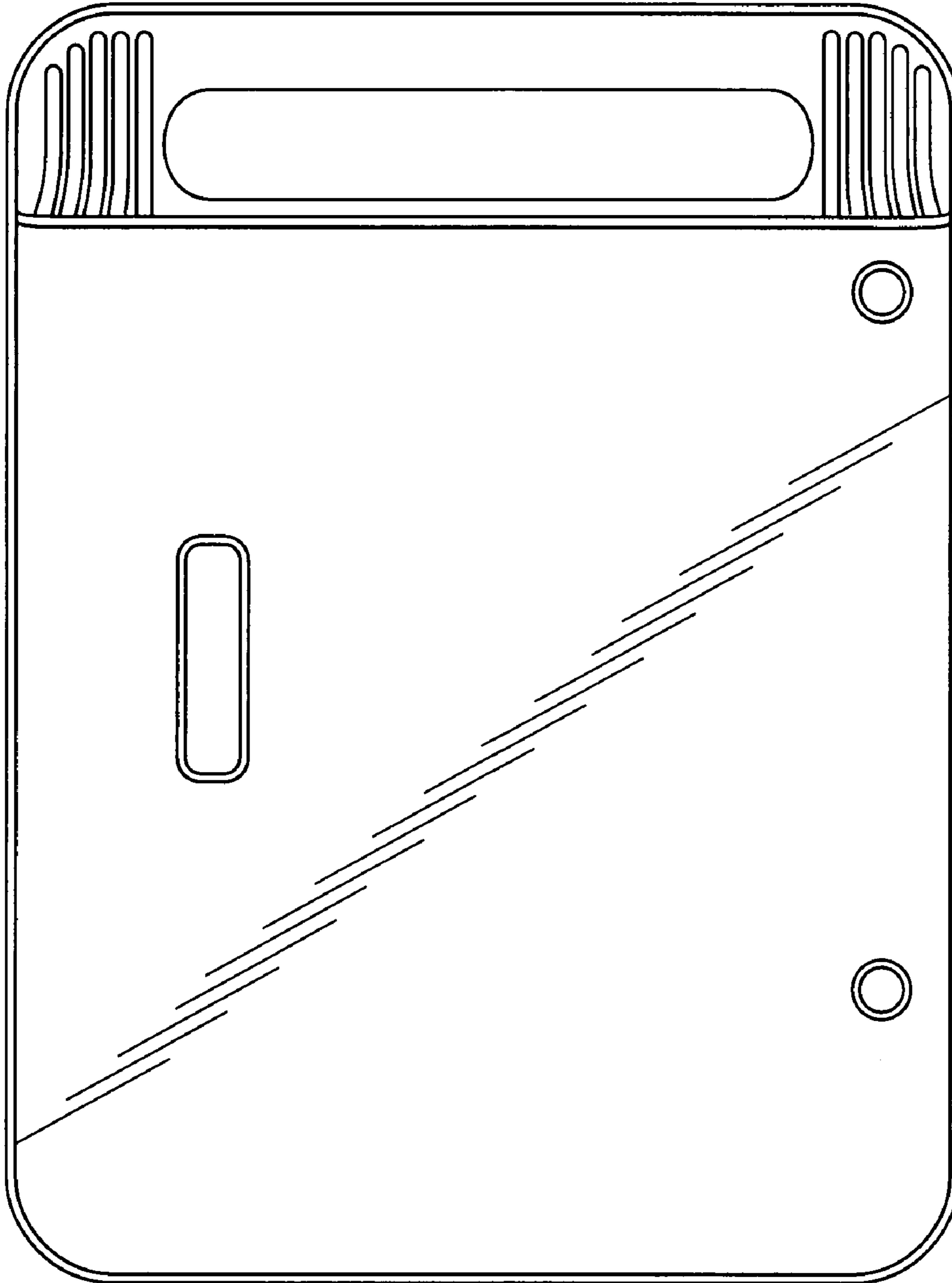


Fig. 3

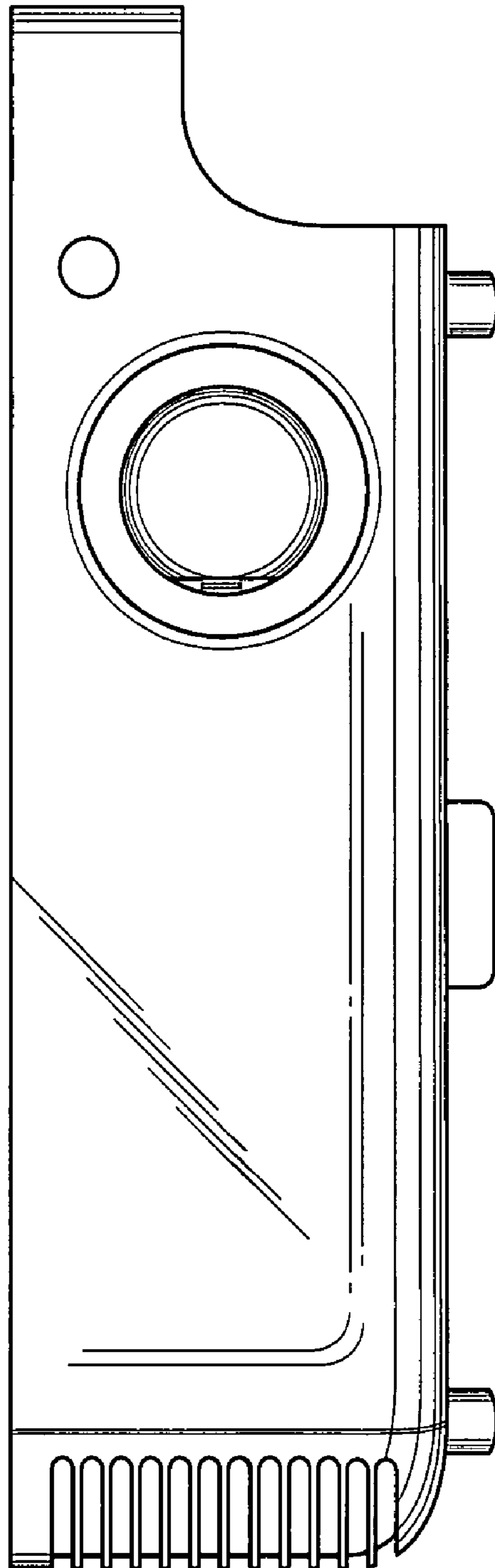


Fig. 4

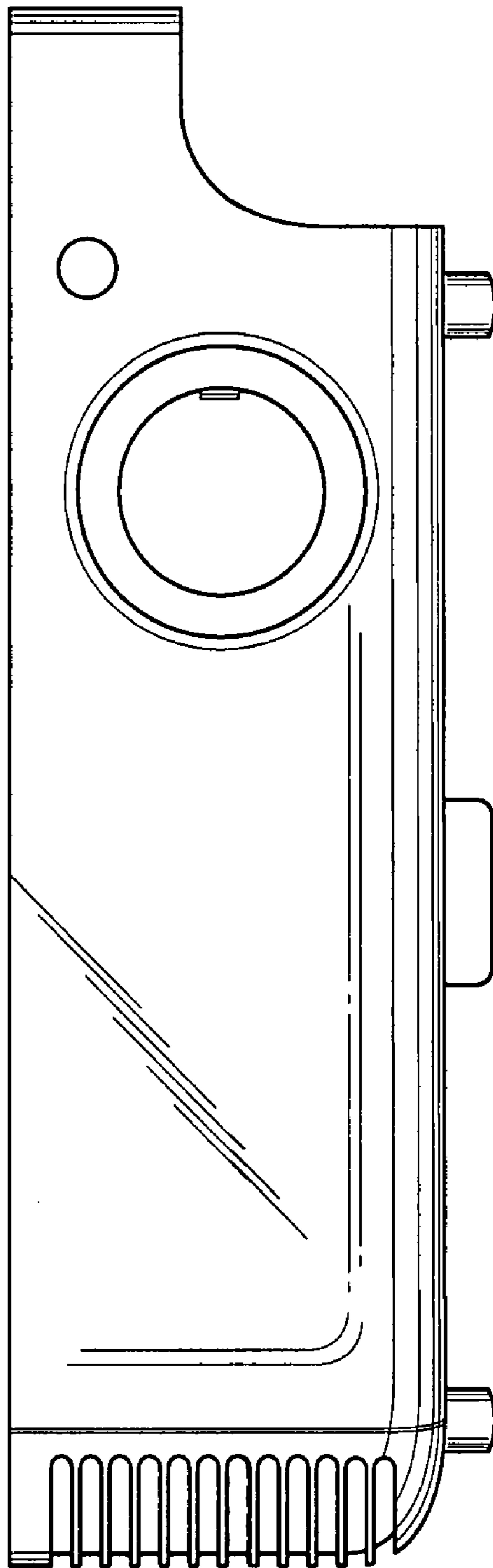


Fig. 5

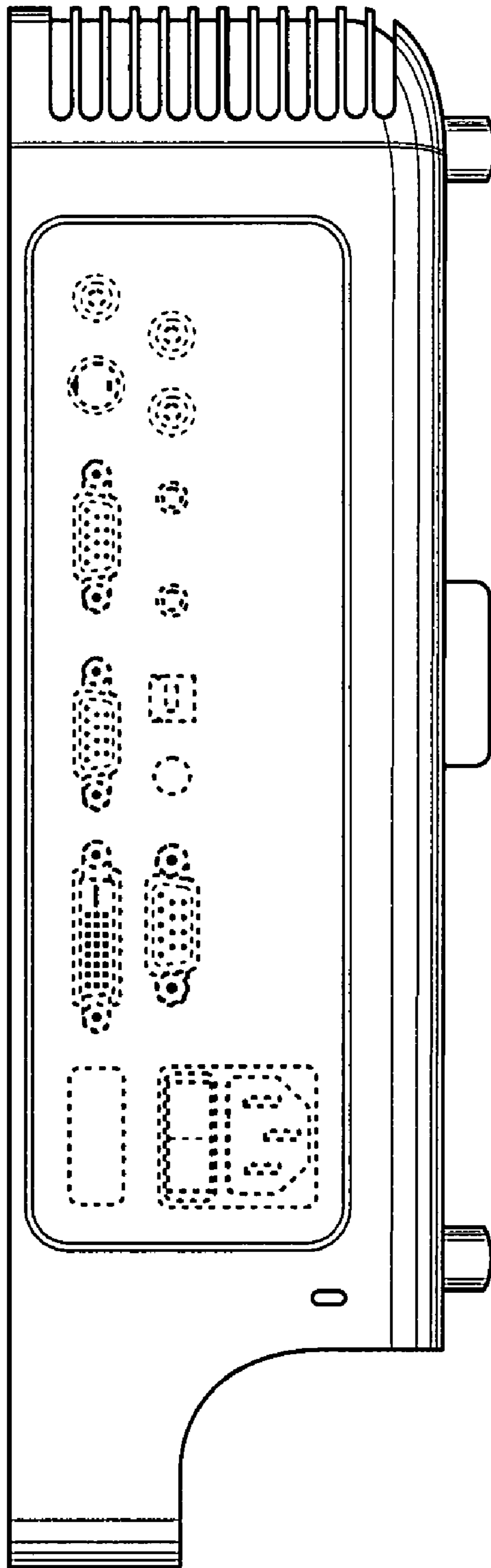


Fig. 6

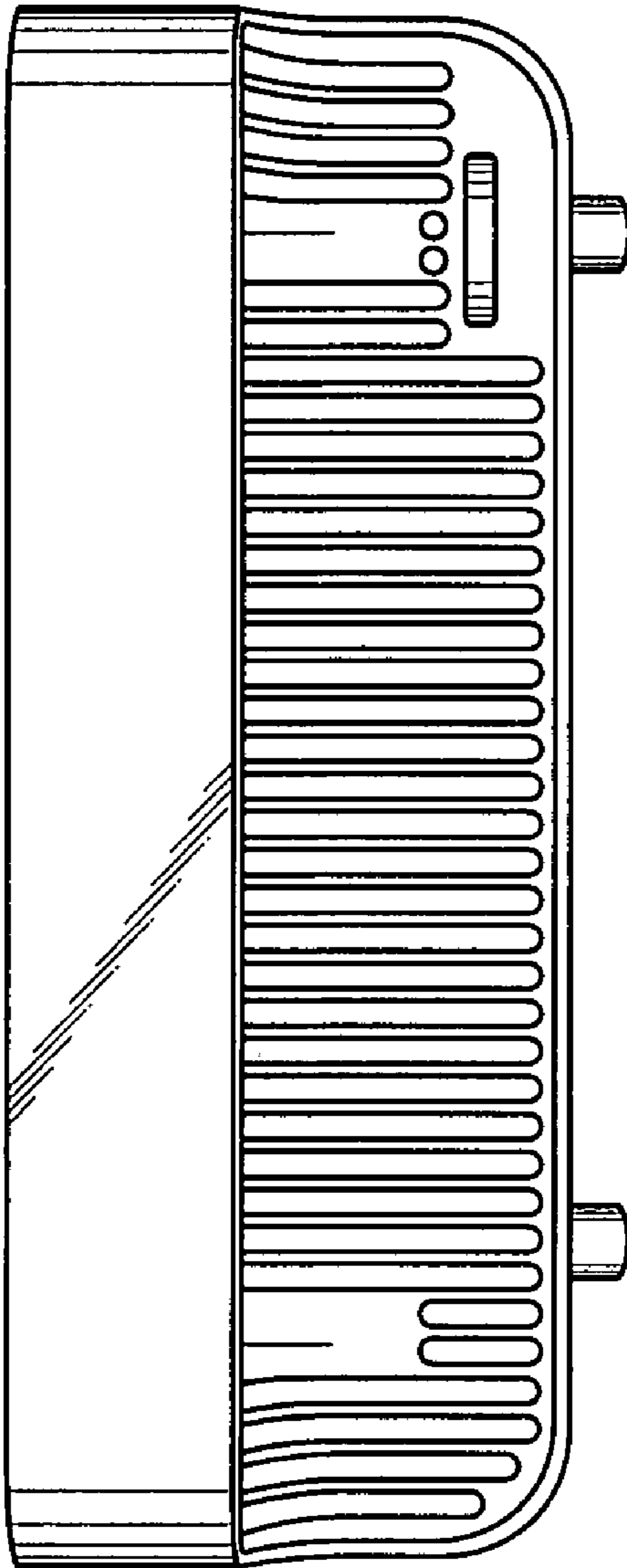


Fig. 7

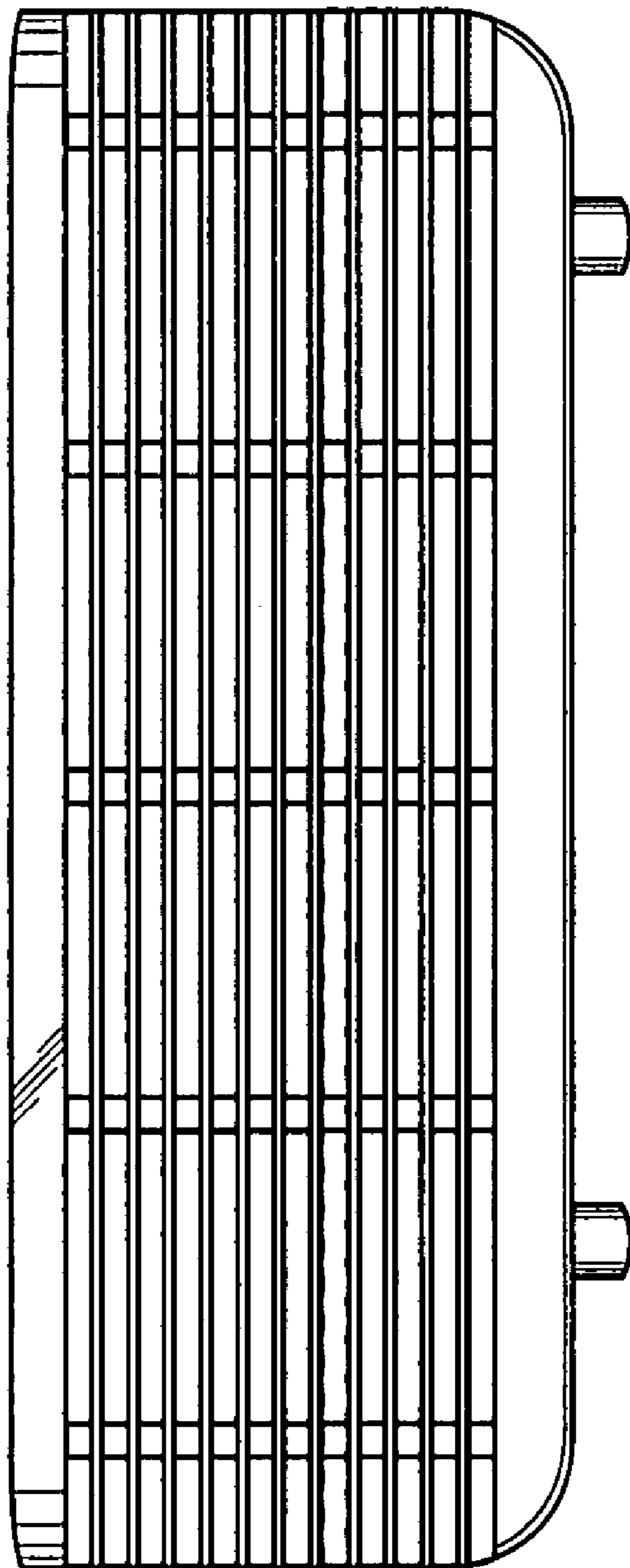


Fig. 8