

US00D552150S

(12) **United States Design Patent** (10) **Patent No.:** **US D552,150 S**
Salvatori et al. (45) **Date of Patent:** **** Oct. 2, 2007**

(54) **PROJECTION DEVICE**

(75) Inventors: **Phillip H. Salvatori**, Salem, OR (US);
Danny Han, Happy Valley, OR (US);
Richard C. Schoenert, Sherwood, OR (US)

(73) Assignee: **InFocus Corporation**, Wilsonville, OR (US)

(**) Term: **14 Years**

(21) Appl. No.: **29/244,785**

(22) Filed: **Dec. 13, 2005**

(51) **LOC (8) Cl.** **16-02**

(52) **U.S. Cl.** **D16/230; D16/221; D16/225**

(58) **Field of Classification Search** D16/205,
D16/208, 213, 221, 225, 229, 230, 231, 234,
D16/235; D21/514; 353/115, 119
See application file for complete search history.

(56) **References Cited**

U.S. PATENT DOCUMENTS

D439,923 S * 4/2001 Kawamoto D16/231
D476,024 S * 6/2003 Shimamoto D16/230
D480,408 S * 10/2003 Kawashima D16/230

D505,440 S * 5/2005 Kawasaki et al. D16/231

* cited by examiner

Primary Examiner—Ian Simmons

Assistant Examiner—Wan Laymon

(74) *Attorney, Agent, or Firm*—Alleman Hall McCoy
Russell & Tuttle LLP

(57) **CLAIM**

The ornamental design for a projection device, as shown and described.

DESCRIPTION

FIG. 1 is a front perspective view of a projection device showing our new design;

FIG. 2 is a rear perspective view thereof;

FIG. 3 is a bottom view thereof;

FIG. 4 is a top view thereof;

FIG. 5 is a front view thereof;

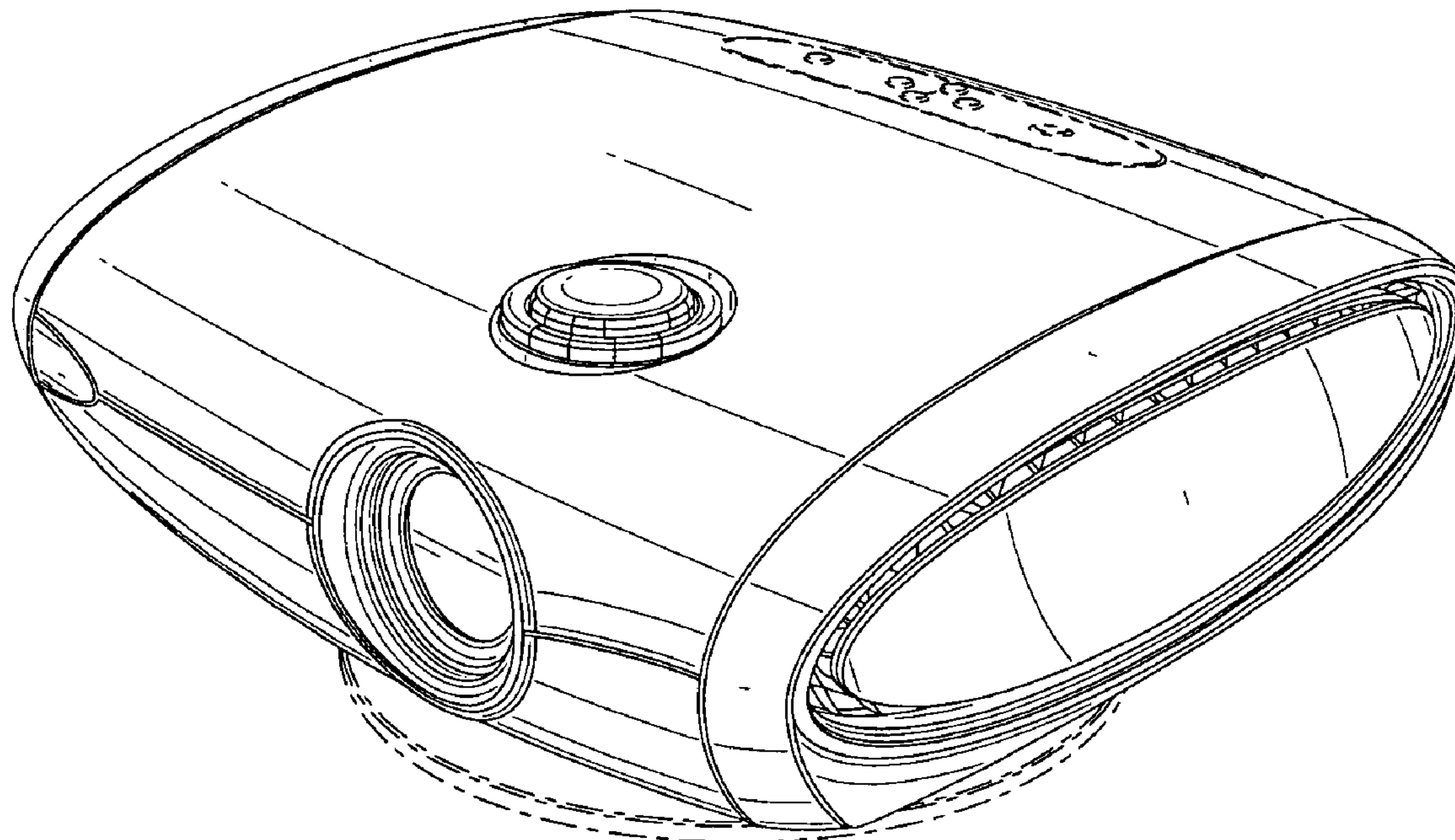
FIG. 6 is a rear view thereof;

FIG. 7 is a right view thereof; and,

FIG. 8 is a left view thereof.

The broken lines shown in the drawings are for illustrative purposes only and form no part of the claimed design.

1 Claim, 5 Drawing Sheets



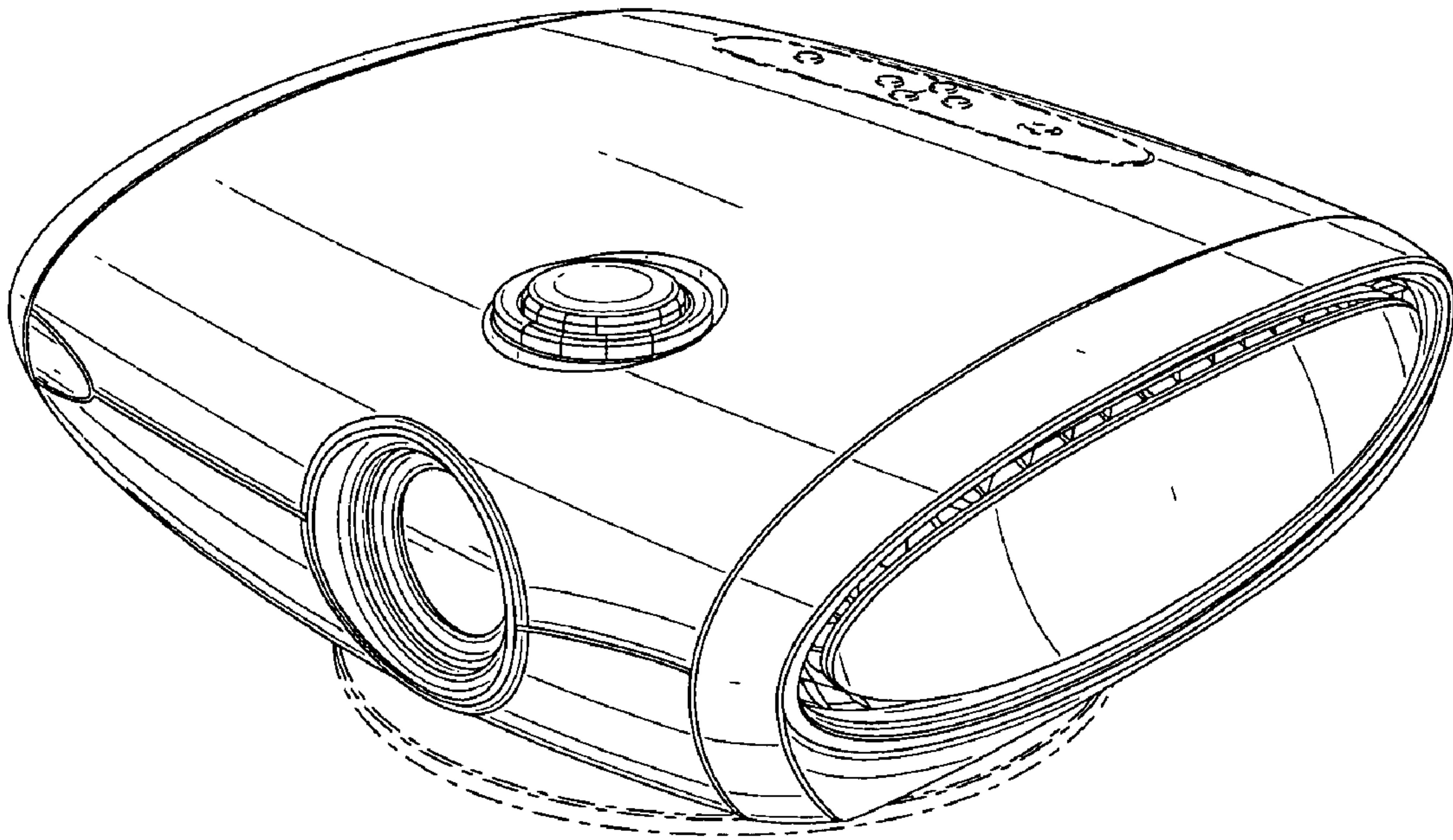


FIG. 1

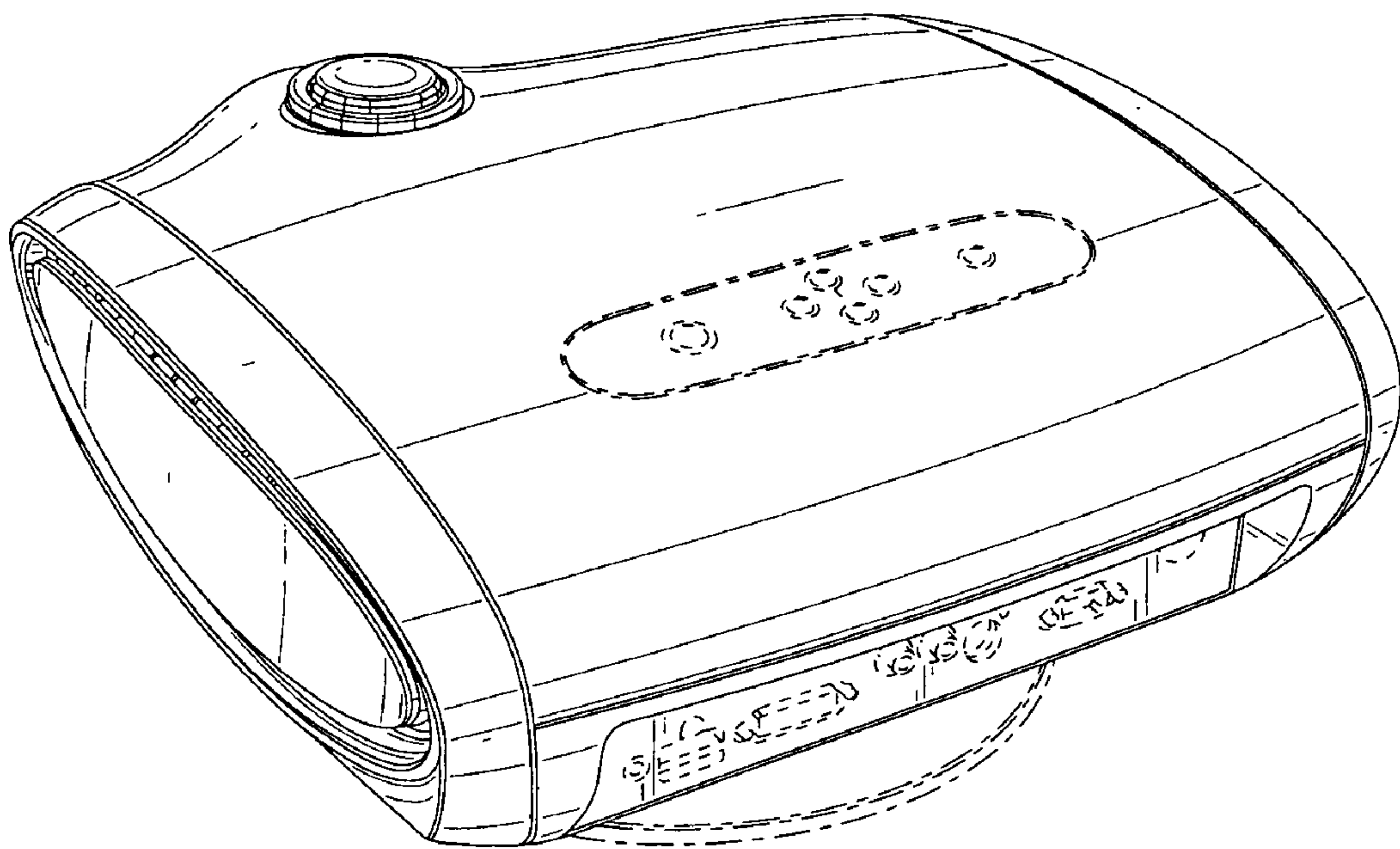


FIG. 2

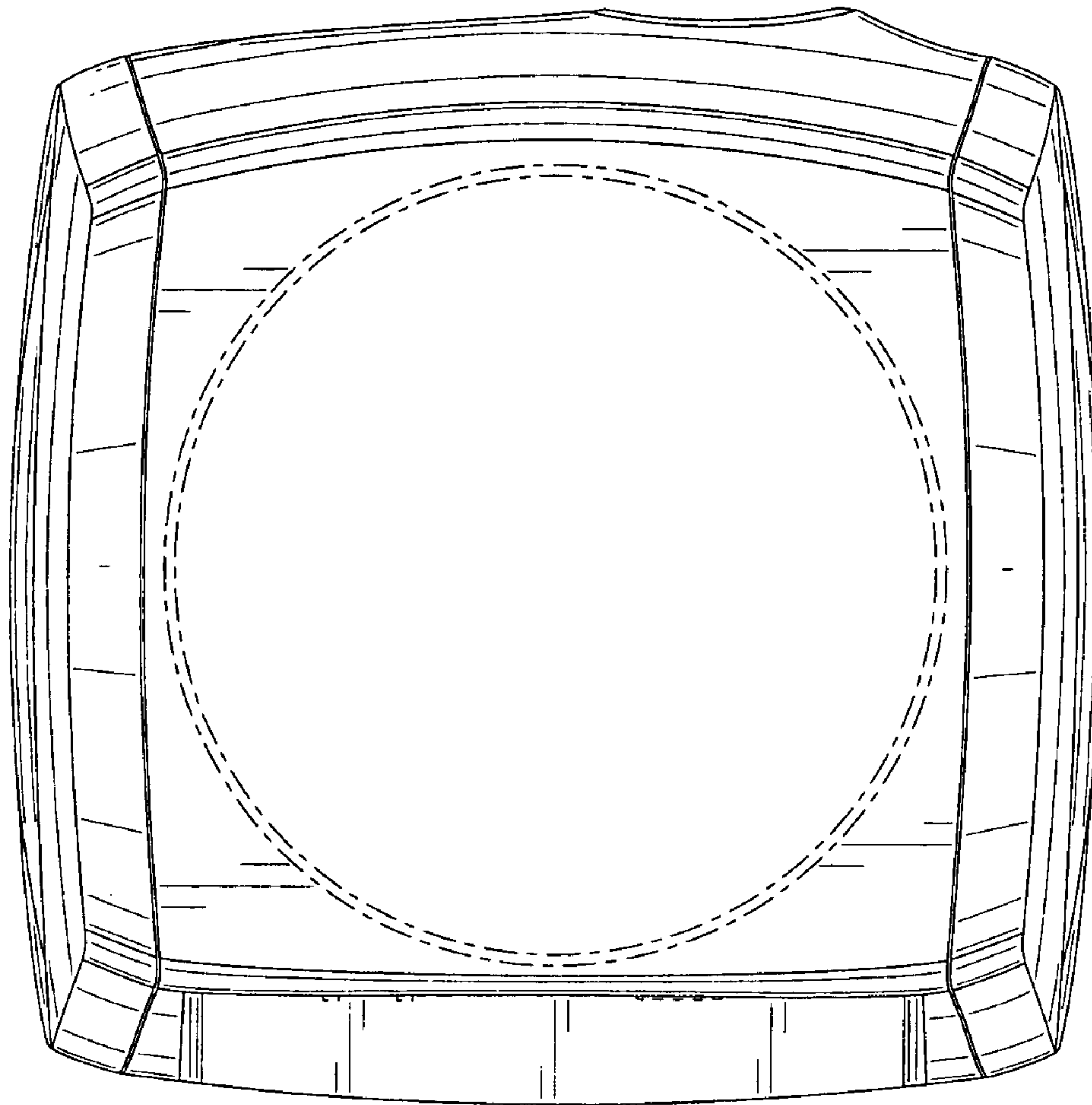


FIG. 3

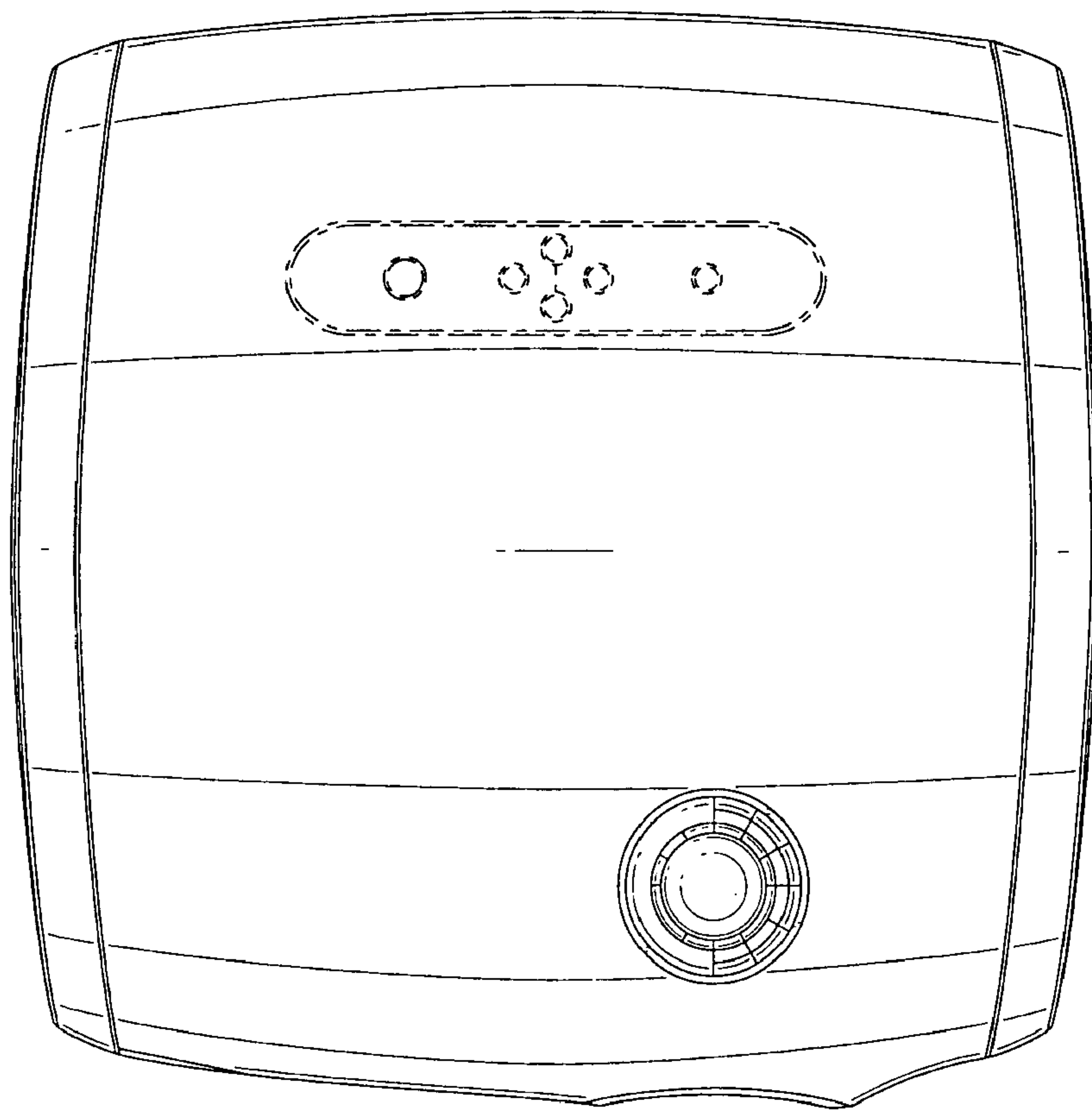


FIG. 4

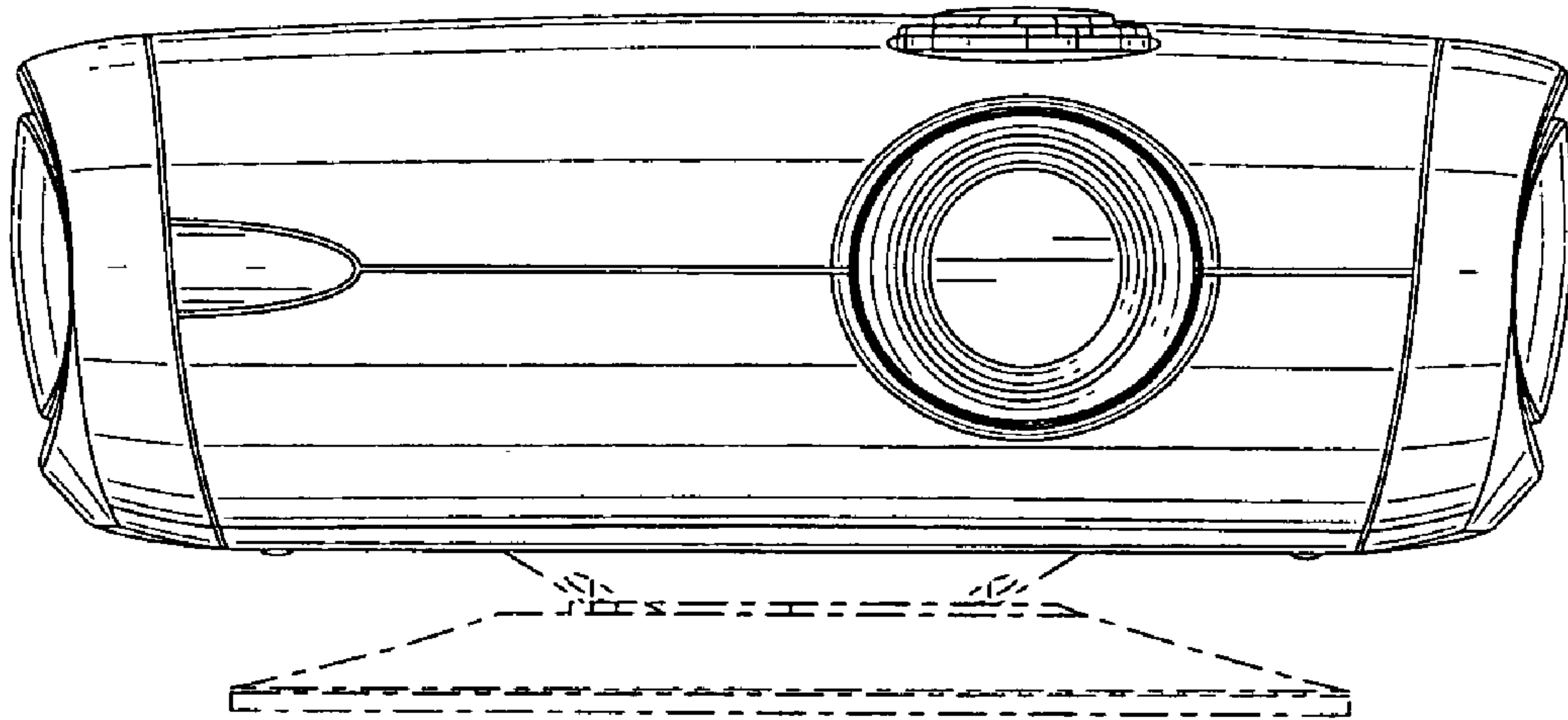


FIG. 5

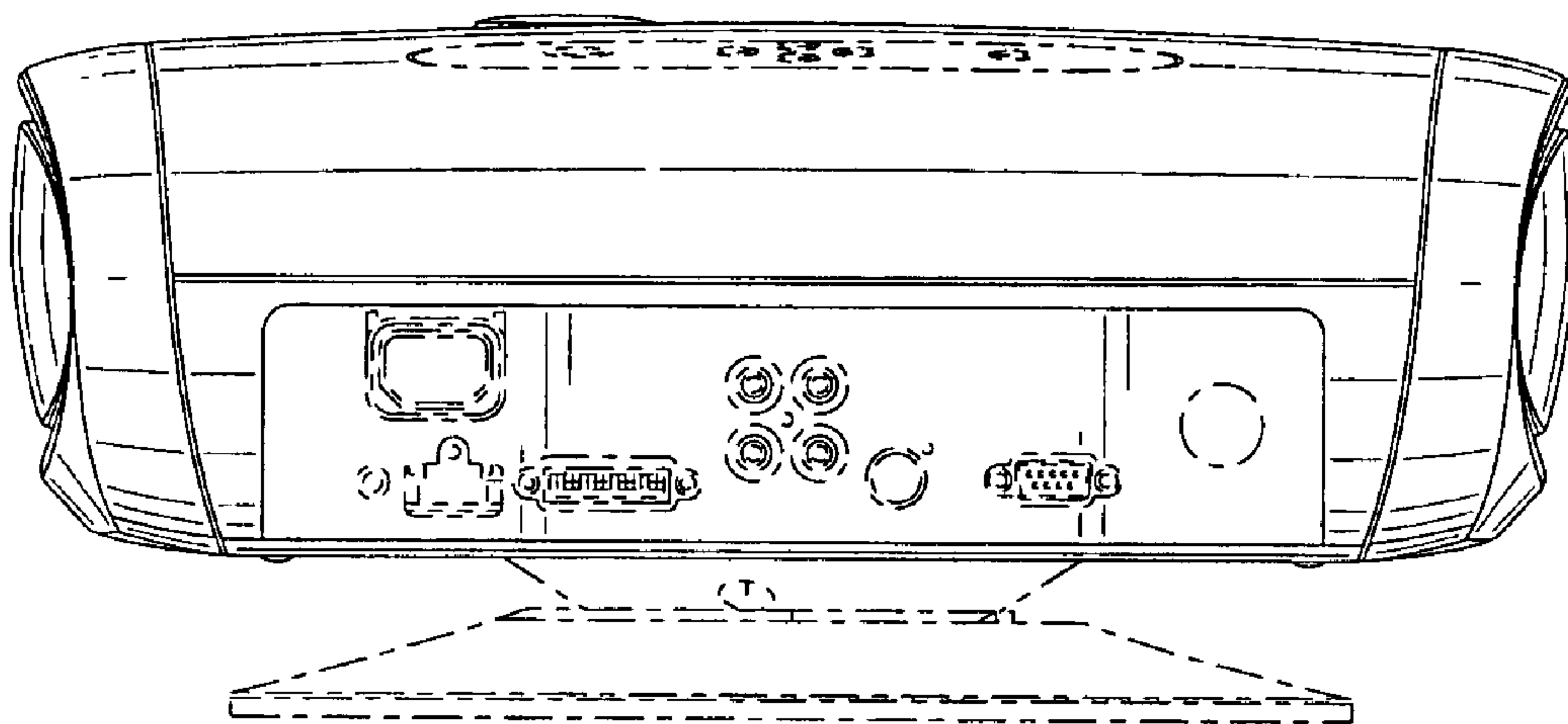


FIG. 6

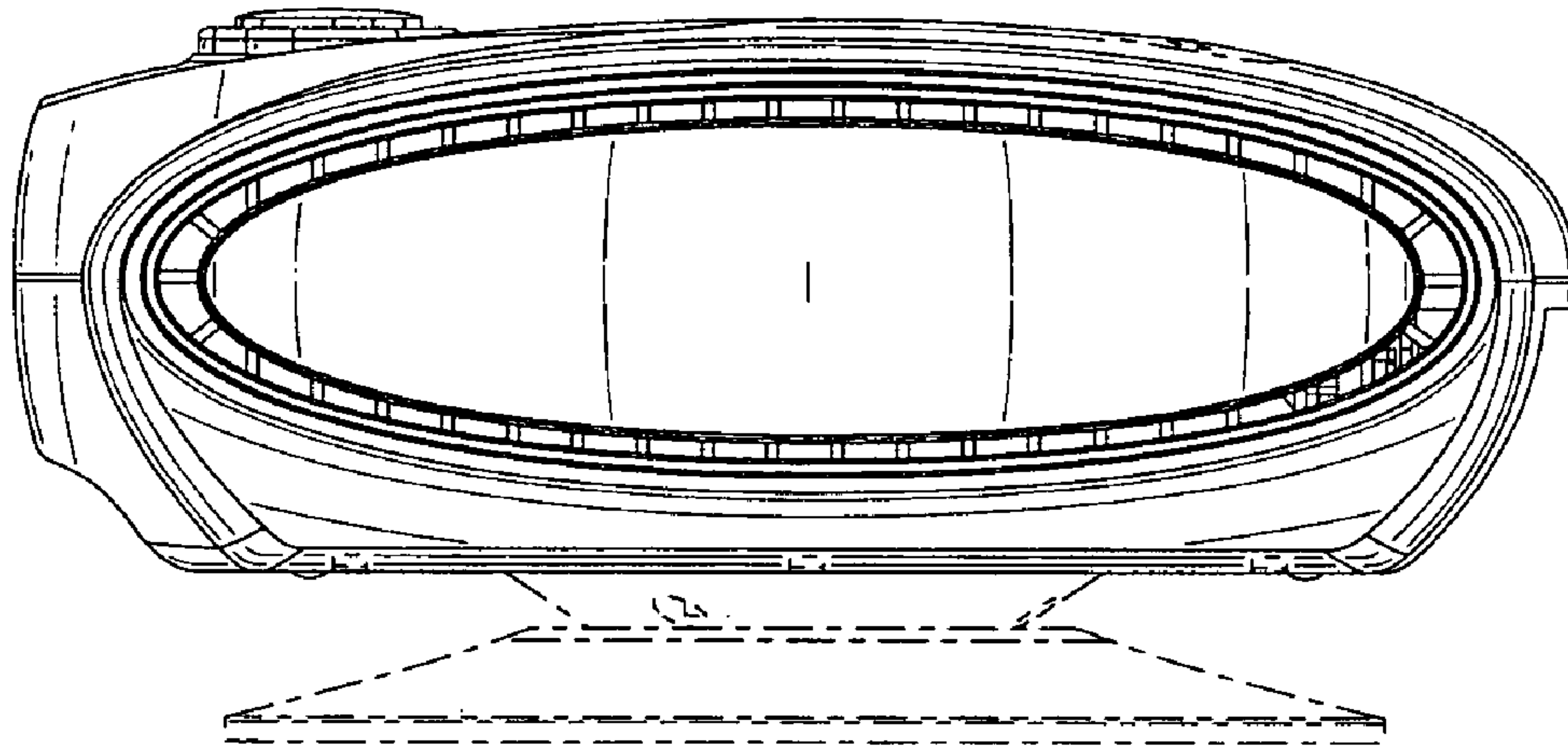


FIG. 7

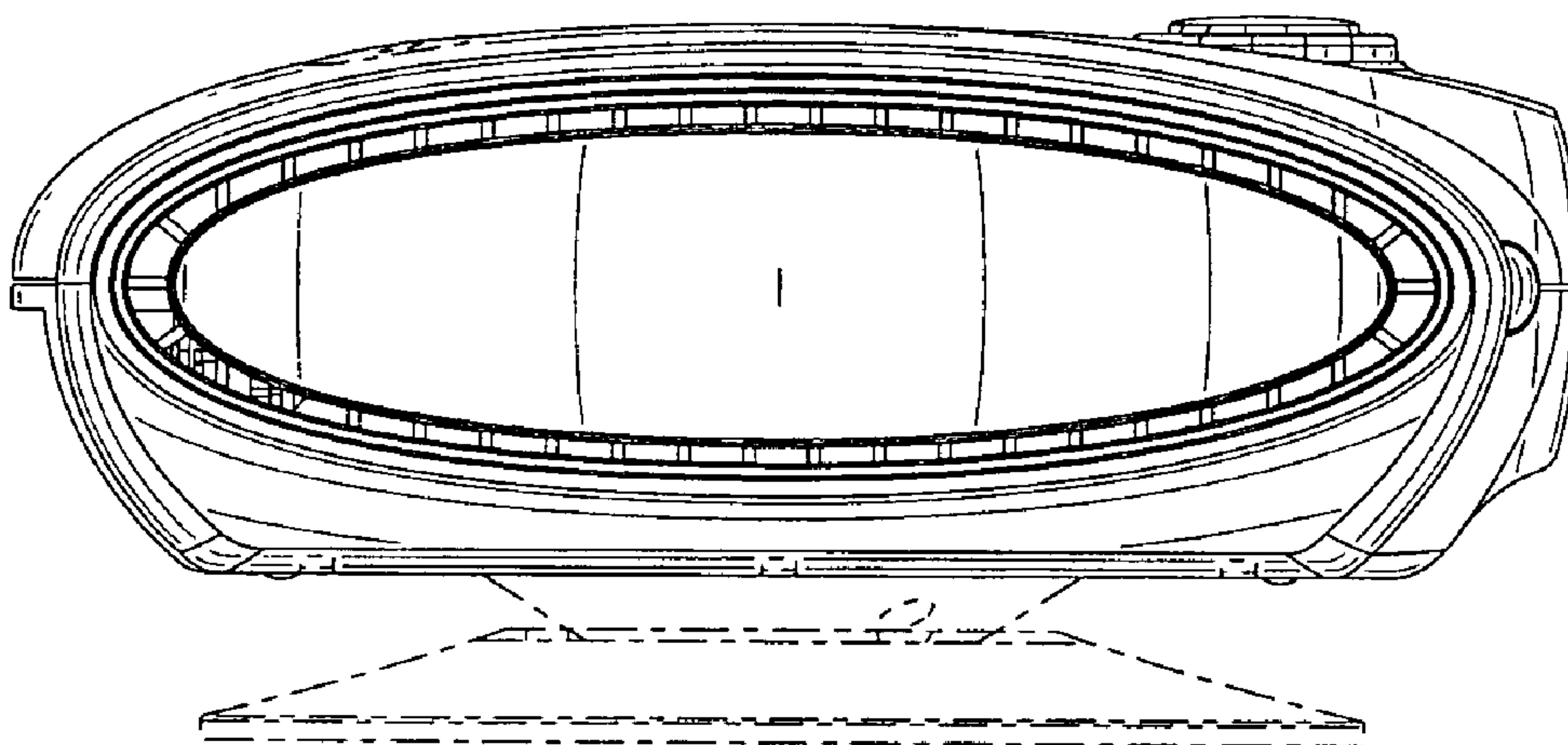


FIG. 8