



US00D552147S

(12) **United States Design Patent**  
**Tajima**

(10) **Patent No.:** **US D552,147 S**

(45) **Date of Patent:** **\*\* Oct. 2, 2007**

(54) **CAMERA LENS**

(75) Inventor: **Kenji Tajima**, Machida (JP)

(73) Assignee: **Olympus Imaging Corp.**, Tokyo (JP)

(\*\*) Term: **14 Years**

(21) Appl. No.: **29/262,353**

(22) Filed: **Jun. 28, 2006**

(30) **Foreign Application Priority Data**

Jun. 22, 2006 (JP) ..... 2006-016244

(51) **LOC (8) Cl.** ..... **16-05**

(52) **U.S. Cl.** ..... **D16/219; D16/134**

(58) **Field of Classification Search** ..... D16/134,  
D16/136, 200, 202, 209, 217, 219; 348/373-376;  
359/815, 819, 826-828; 396/529-532, 535,  
396/540, 541, 544

See application file for complete search history.

(56) **References Cited**

**U.S. PATENT DOCUMENTS**

D248,766 S \* 8/1978 Arai ..... D16/134  
D337,776 S \* 7/1993 Takahashi ..... D16/134  
5,305,036 A \* 4/1994 Tanaka ..... 396/529  
D390,857 S \* 2/1998 Hayamizu ..... D16/219

D412,922 S \* 8/1999 Sekine ..... D16/219  
D420,029 S \* 2/2000 Kimura et al. .... D16/134  
D425,088 S \* 5/2000 Watanabe ..... D16/134  
D449,322 S \* 10/2001 Ono et al. .... D16/219  
6,937,819 B2 \* 8/2005 Brough ..... 396/544

\* cited by examiner

*Primary Examiner*—Adir Aronovich

(74) *Attorney, Agent, or Firm*—Straub and Pokoty; John C. Pokotylo

(57) **CLAIM**

I claim the ornamental design for a camera lens, as shown and described.

**DESCRIPTION**

FIG. 1 is a front, top and right side perspective view of a camera lens showing my new design;

FIG. 2 is a front elevational view thereof;

FIG. 3 is a rear elevational view thereof;

FIG. 4 is a top plan view thereof;

FIG. 5 is a bottom plan view thereof;

FIG. 6 is a right side elevational view thereof; and,

FIG. 7 is a left side elevational view thereof.

**1 Claim, 4 Drawing Sheets**

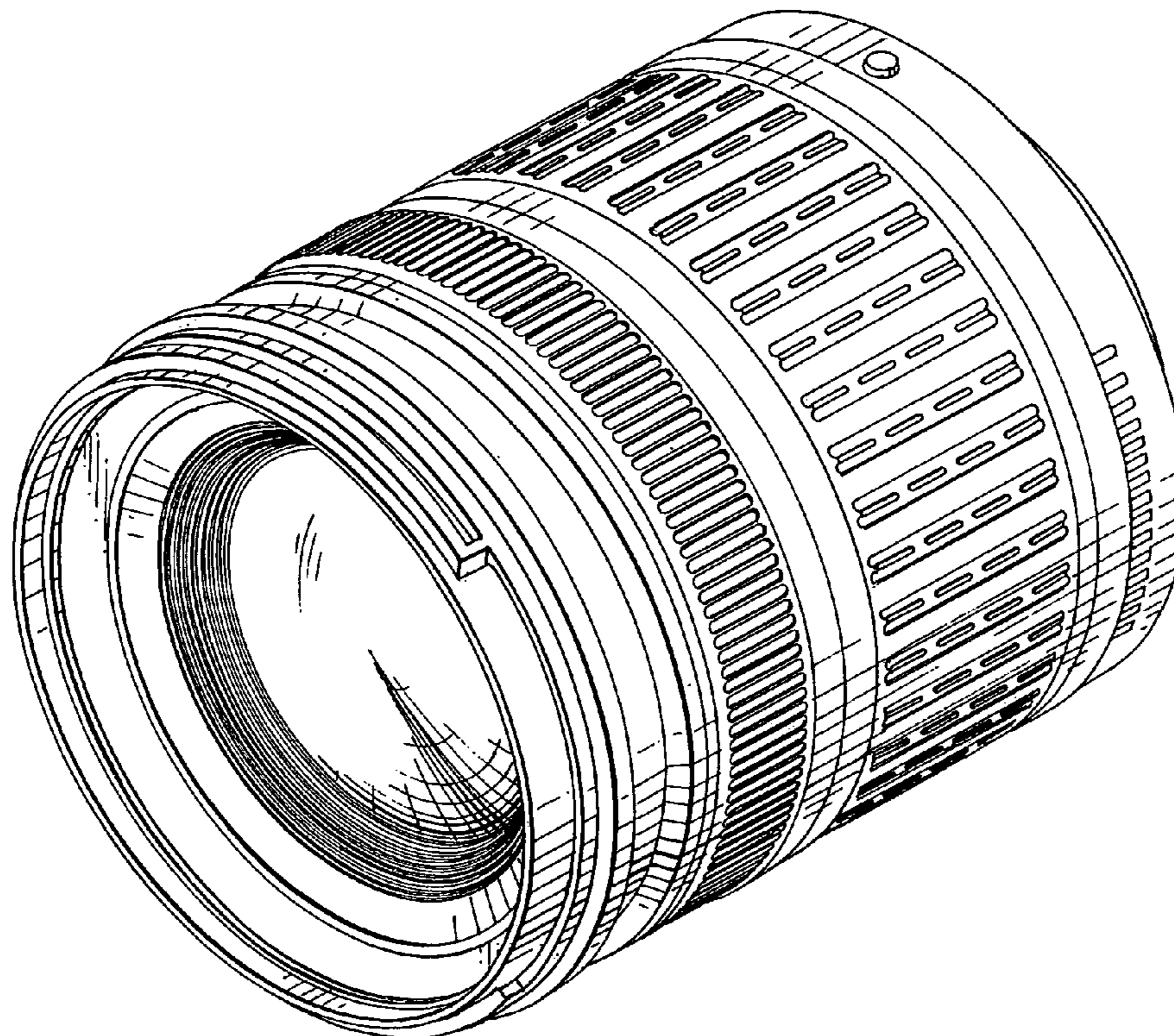


FIG. 1

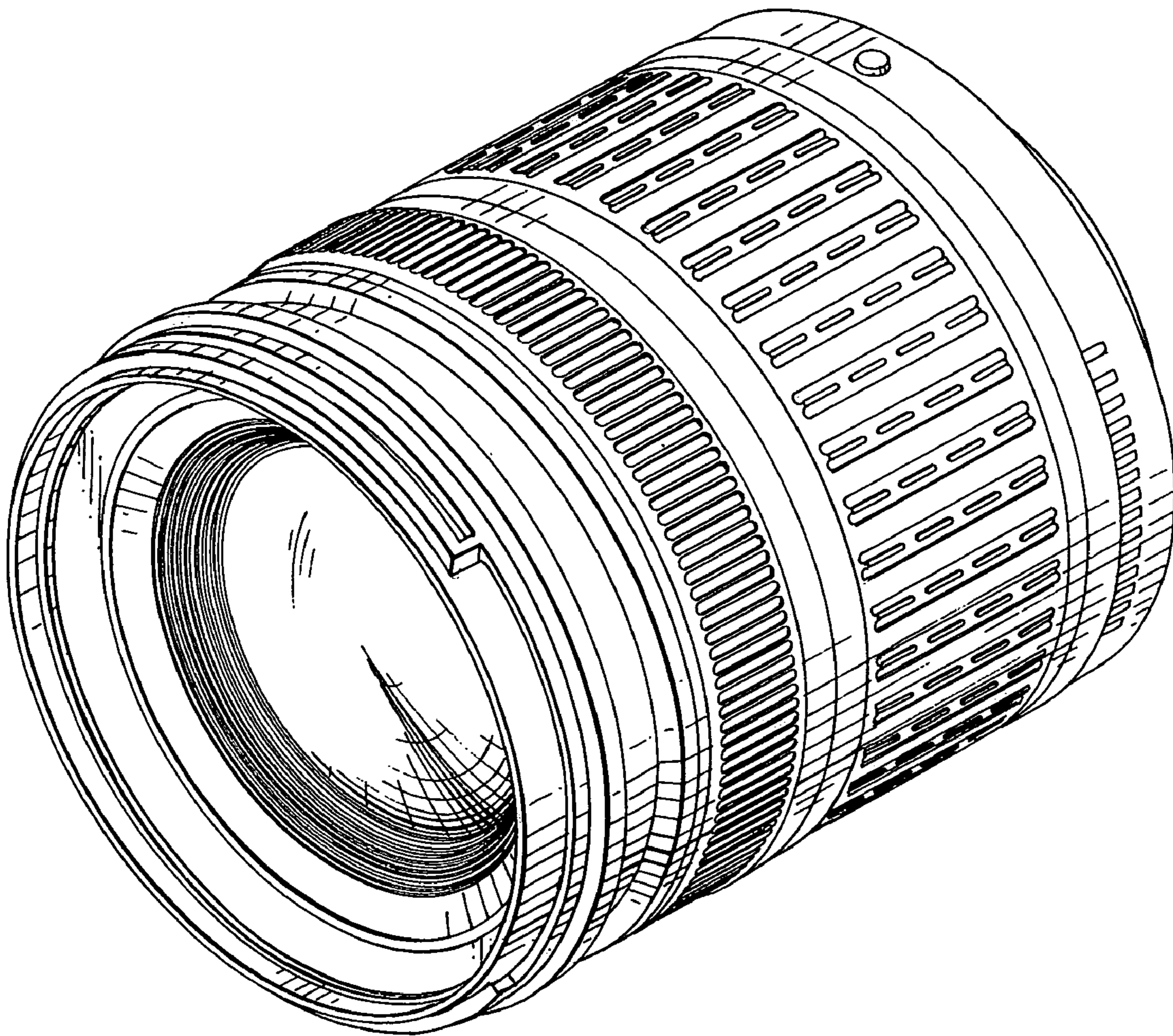


FIG.2

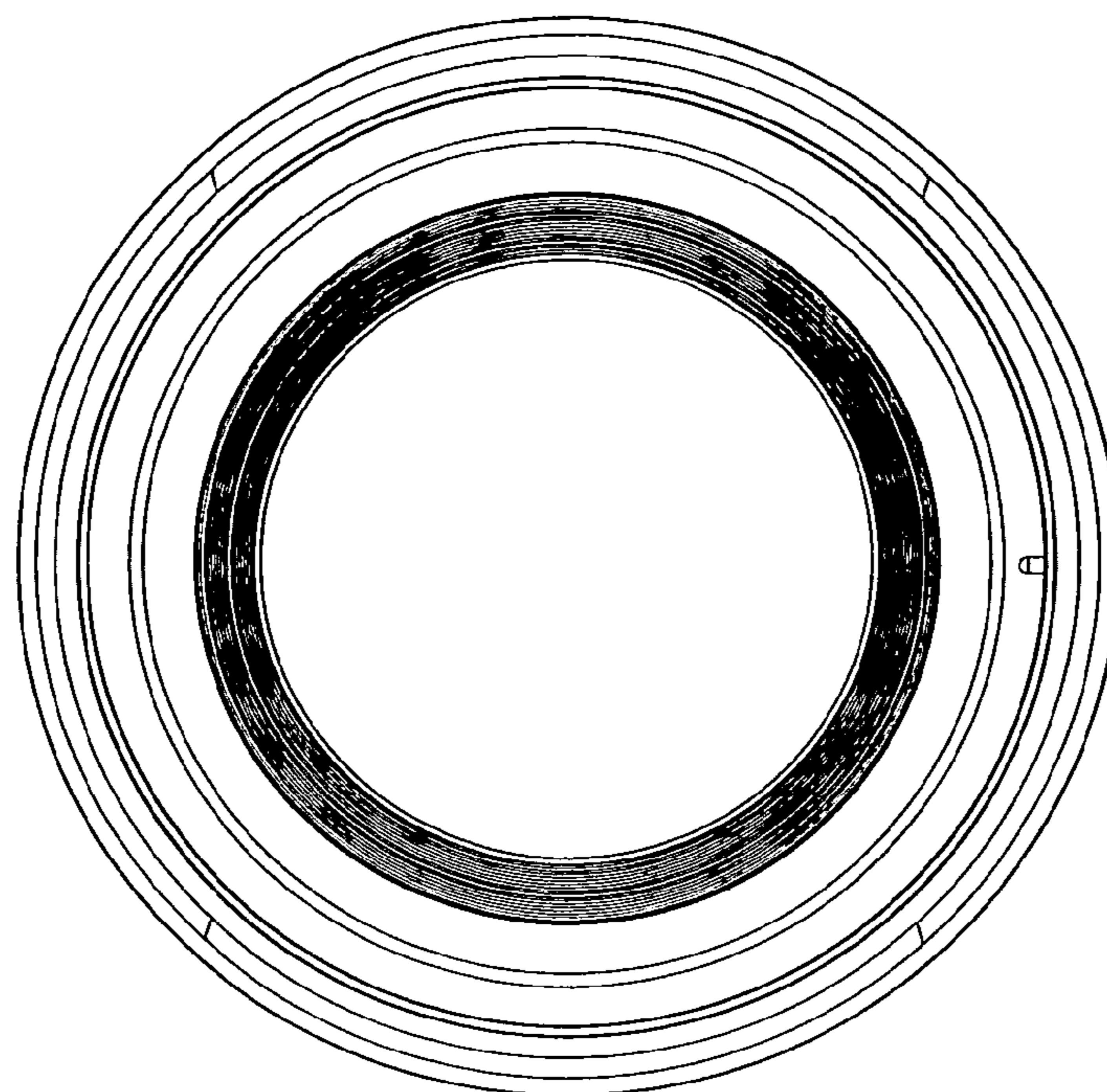


FIG.3

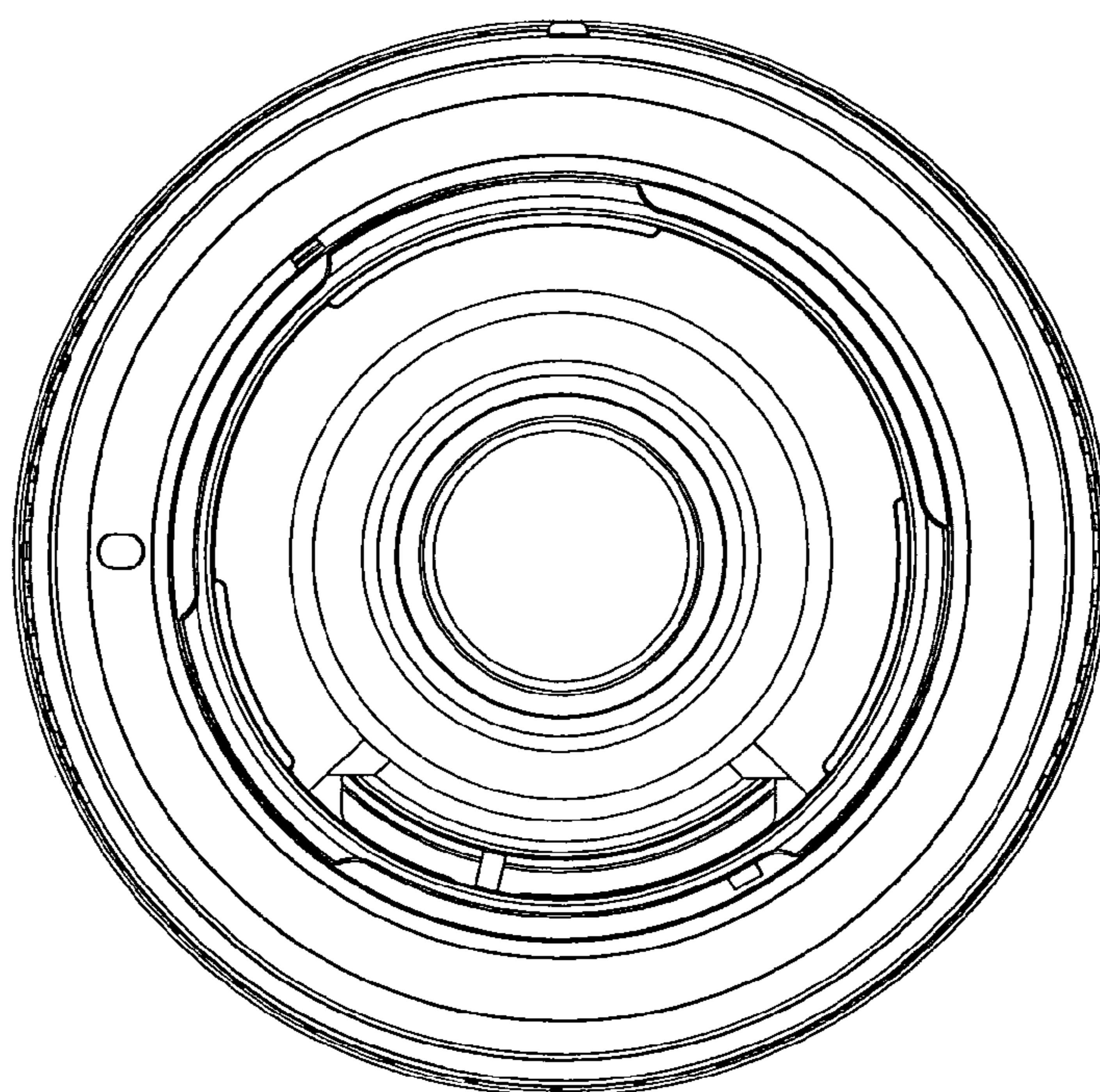


FIG.4

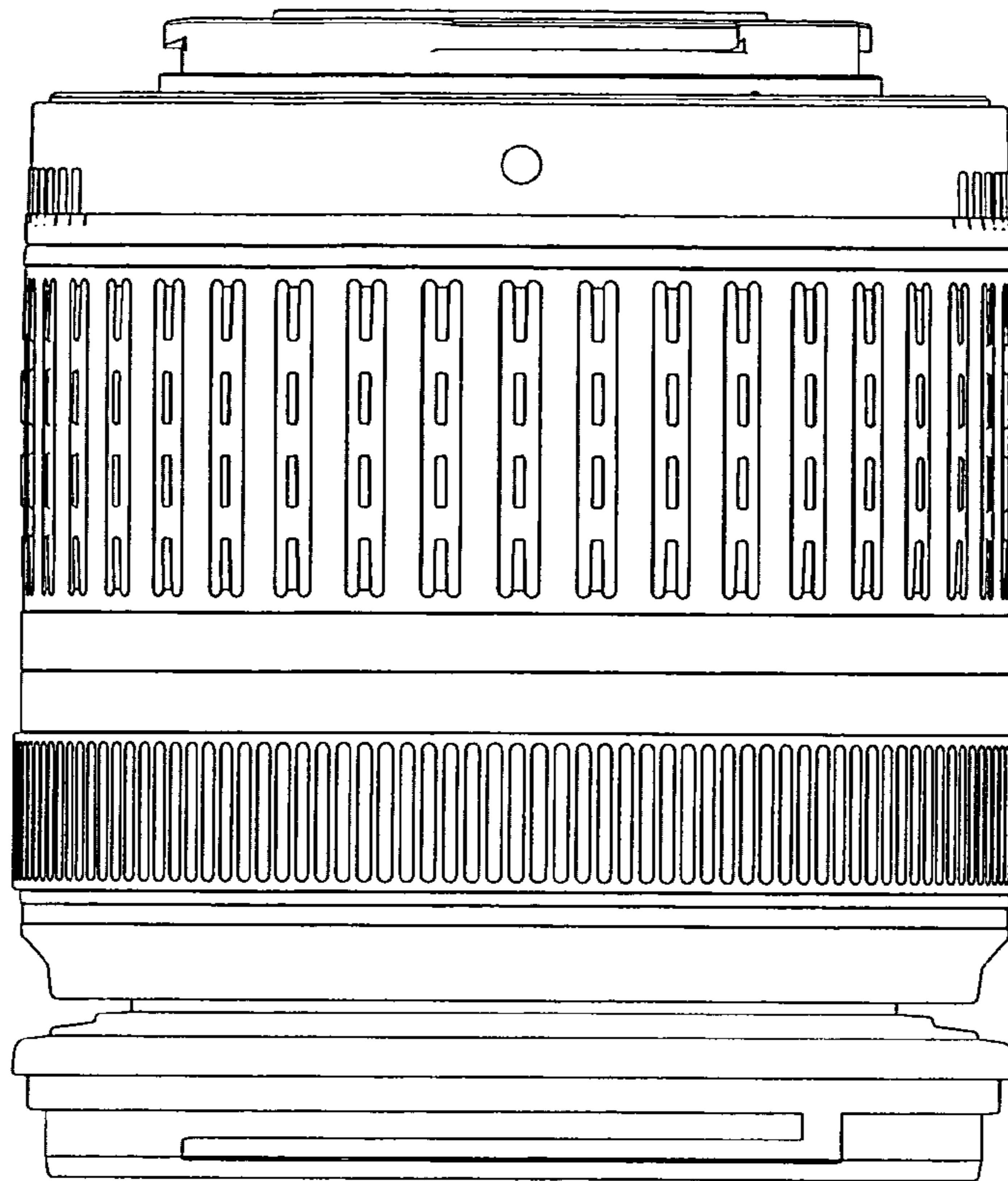


FIG.5

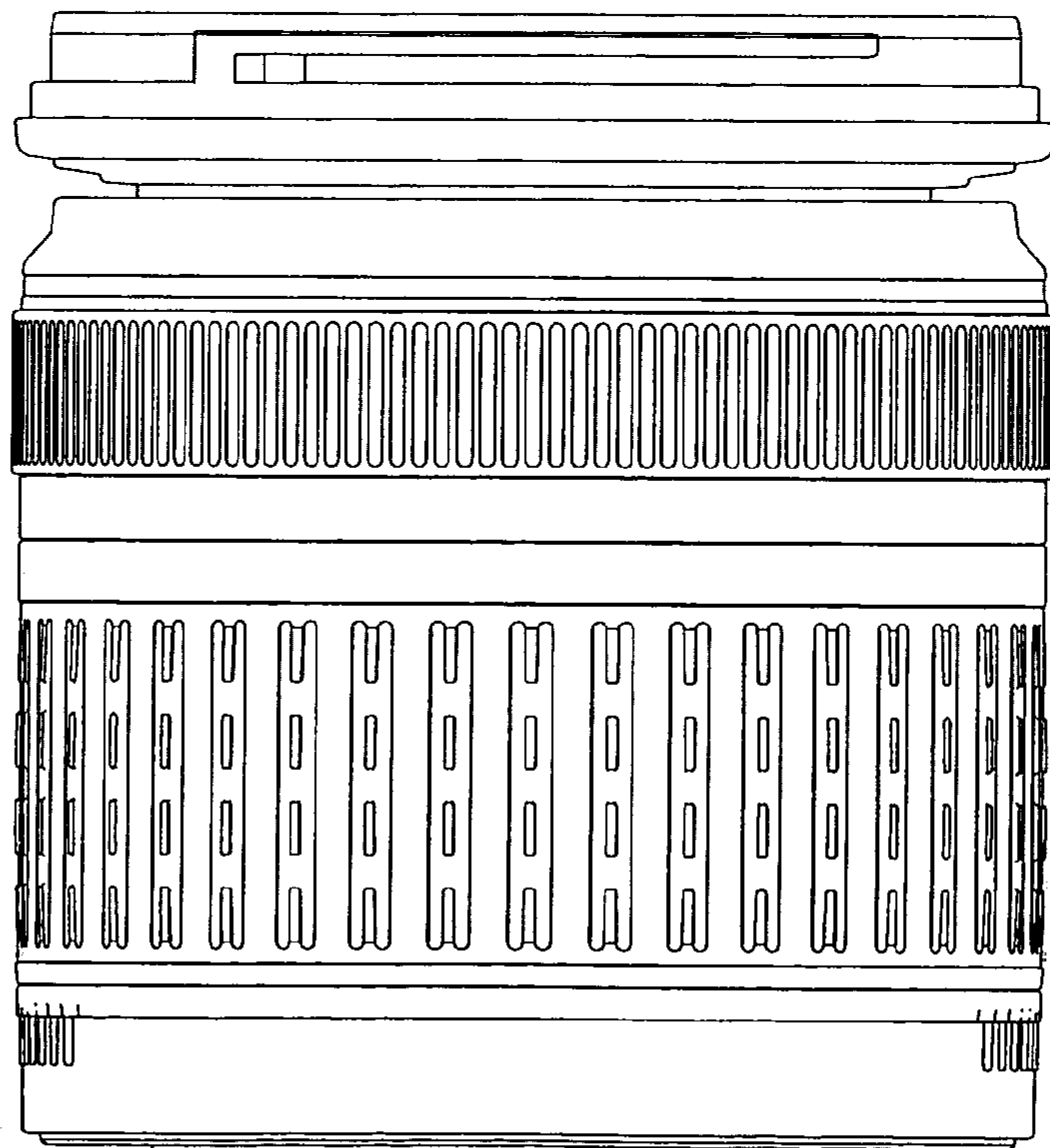


FIG.6

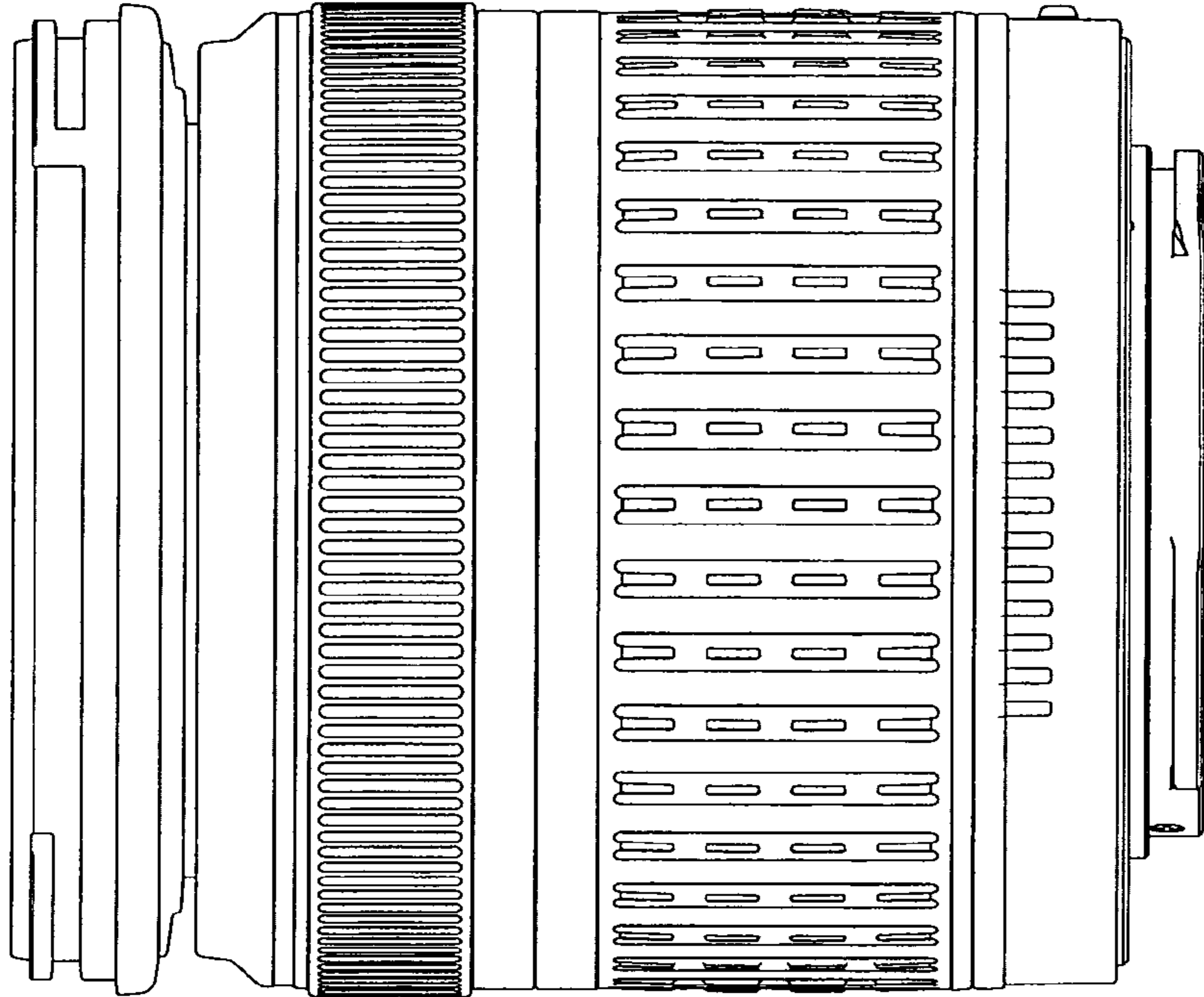


FIG.7

