



US00D552146S

(12) **United States Design Patent**
Masamitsu et al.

(10) **Patent No.:** **US D552,146 S**

(45) **Date of Patent:** **** Oct. 2, 2007**

(54) **CAMERA**

(75) Inventors: **Satoshi Masamitsu**, Tokyo (JP);
Hirohisa Tanaka, Tokyo (JP)

(73) Assignee: **Sony Corporation**, Tokyo (JP)

(**) Term: **14 Years**

(21) Appl. No.: **29/262,879**

(22) Filed: **Jul. 13, 2006**

(30) **Foreign Application Priority Data**

Jan. 13, 2006 (CN) 2006 3 0002493

(51) **LOC (8) Cl.** **16-01**

(52) **U.S. Cl.** **D16/218; D16/202**

(58) **Field of Classification Search** D16/200–204,
D16/208, 218; 348/373–376; 358/909.1;
396/535–541

See application file for complete search history.

(56) **References Cited**

U.S. PATENT DOCUMENTS

D443,289 S * 6/2001 Omino D16/218
D490,833 S * 6/2004 Sakaguchi et al. D16/202
D505,967 S * 6/2005 Ko et al. D16/218

D516,599 S * 3/2006 Nakamura D16/202
D523,456 S * 6/2006 Chang D16/202
D531,652 S * 11/2006 Ogino et al. D16/202
D533,886 S * 12/2006 Shimizu D16/202
2005/0057685 A1 * 3/2005 Yamaguchi 348/375

* cited by examiner

Primary Examiner—Adir Aronovich

(74) *Attorney, Agent, or Firm*—Oblon, Spivak, McClelland,
Maier & Neustadt, P.C.

(57) **CLAIM**

The ornamental design for a camera, as shown and described.

DESCRIPTION

FIG. 1 is a top and right front perspective view of a camera, showing our design;

FIG. 2 is a front elevational view thereof;

FIG. 3 is a rear elevational view thereof;

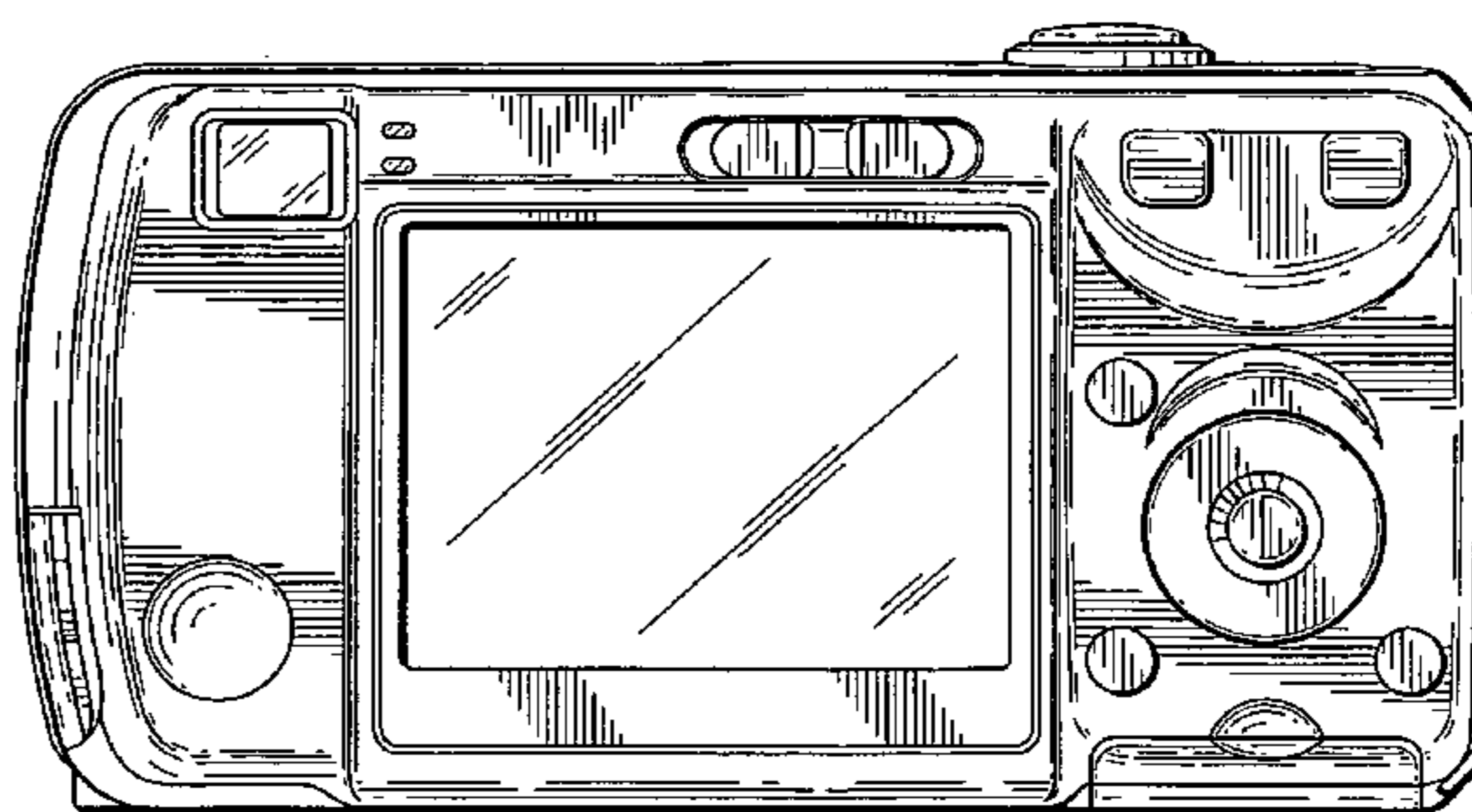
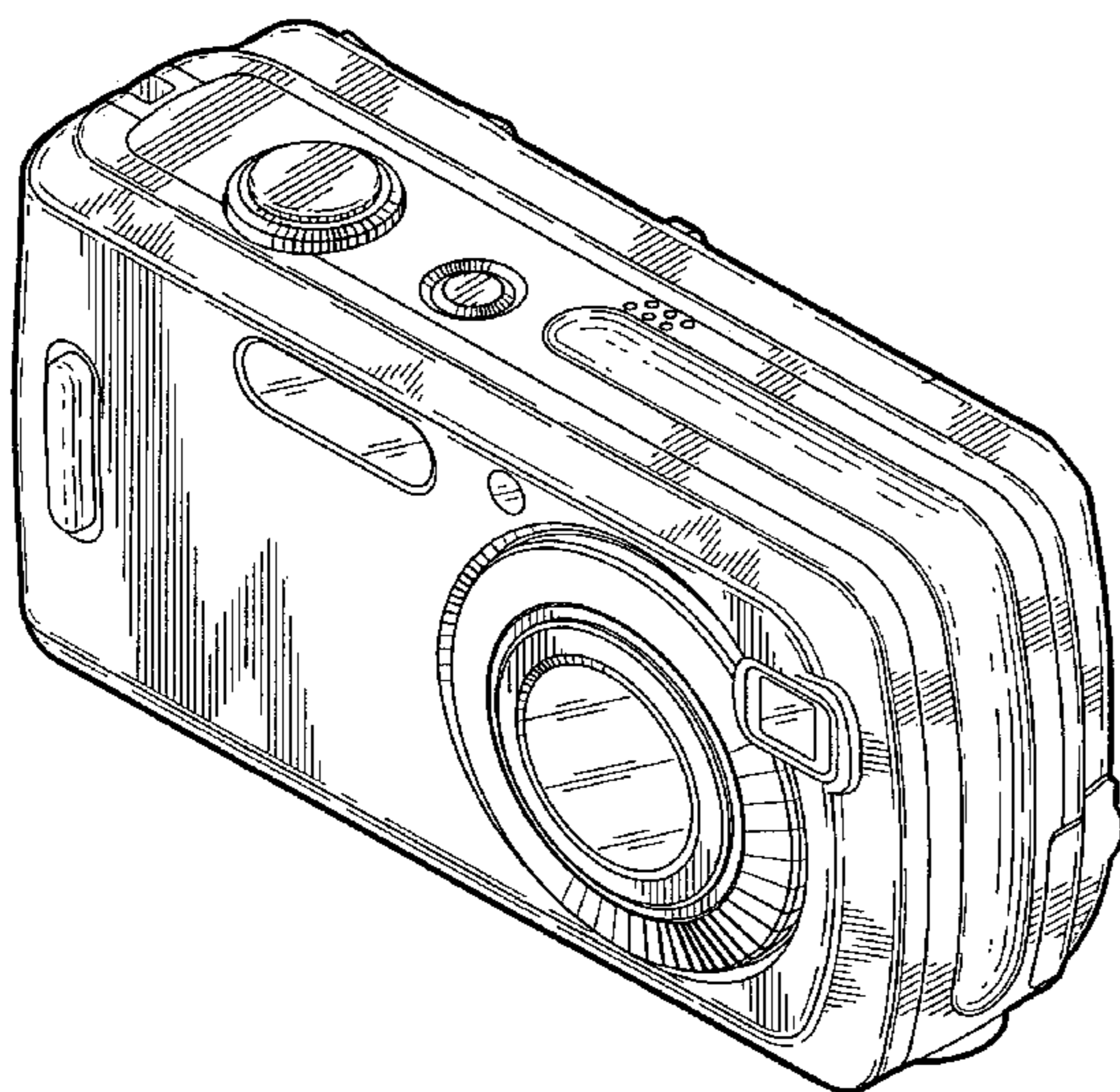
FIG. 4 is a left side elevational view thereof;

FIG. 5 is a right side elevational view thereof;

FIG. 6 is a top plan view thereof; and,

FIG. 7 is a bottom plan view thereof.

1 Claim, 4 Drawing Sheets



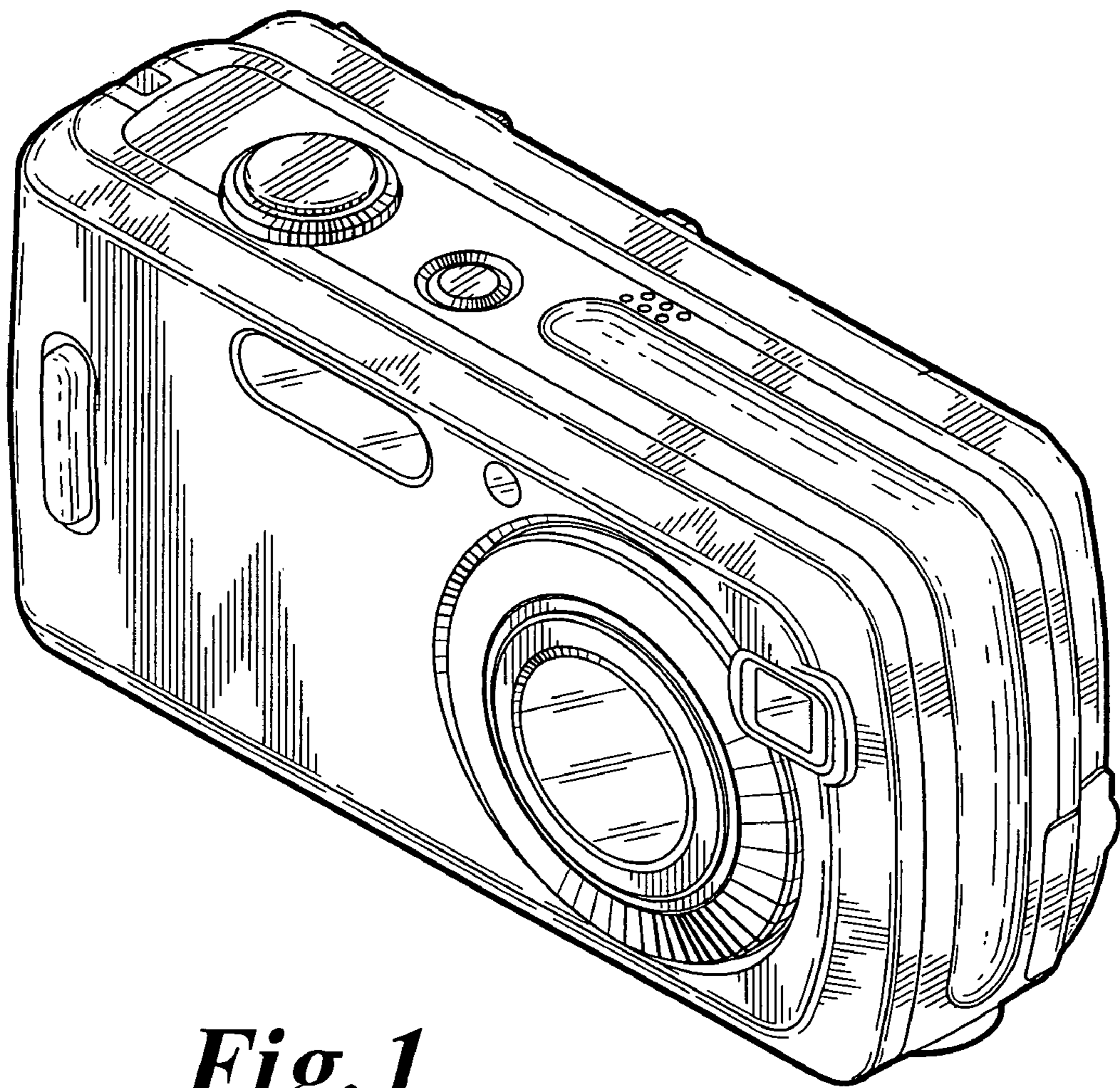


Fig. 1

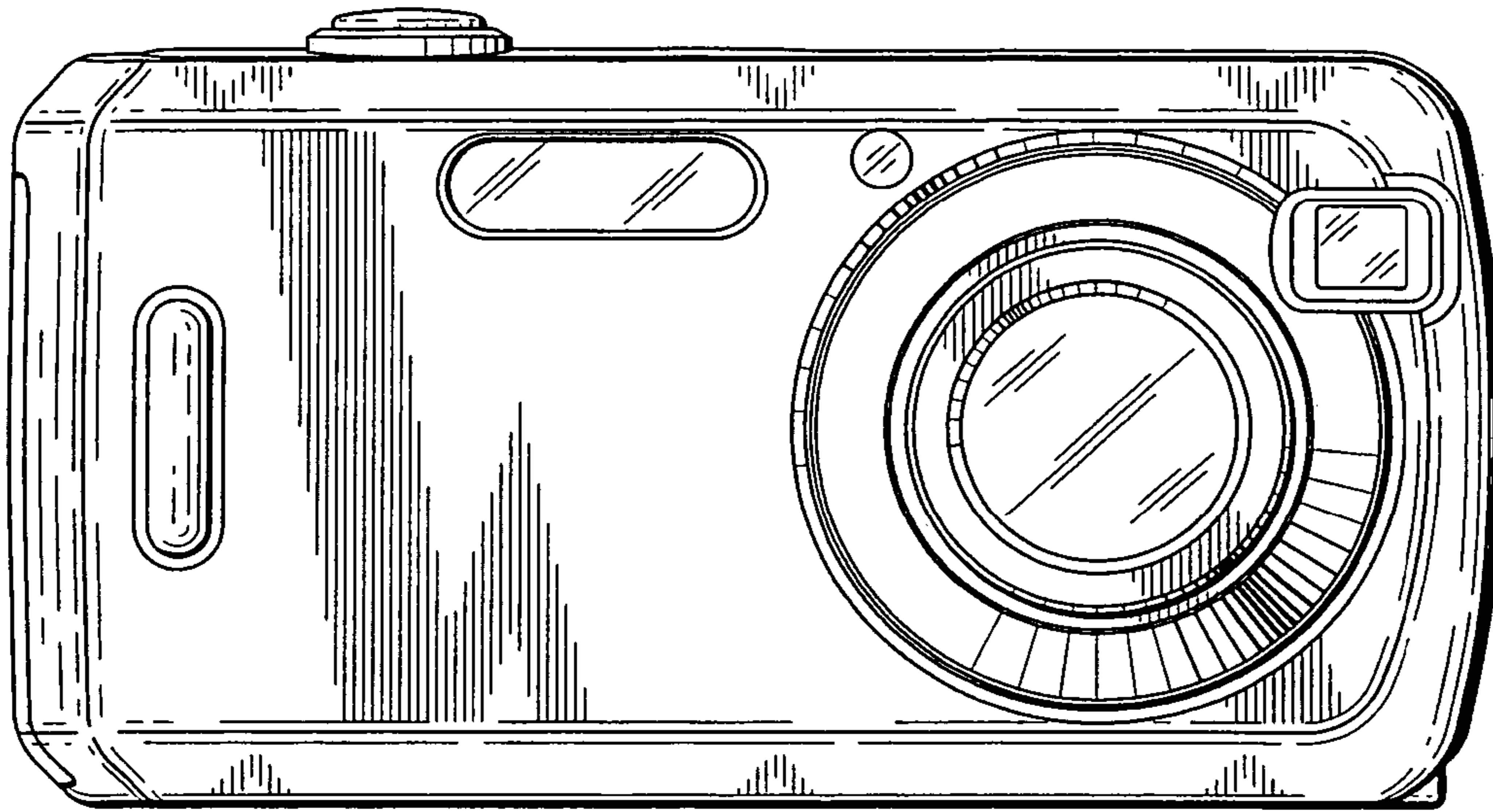


Fig. 2

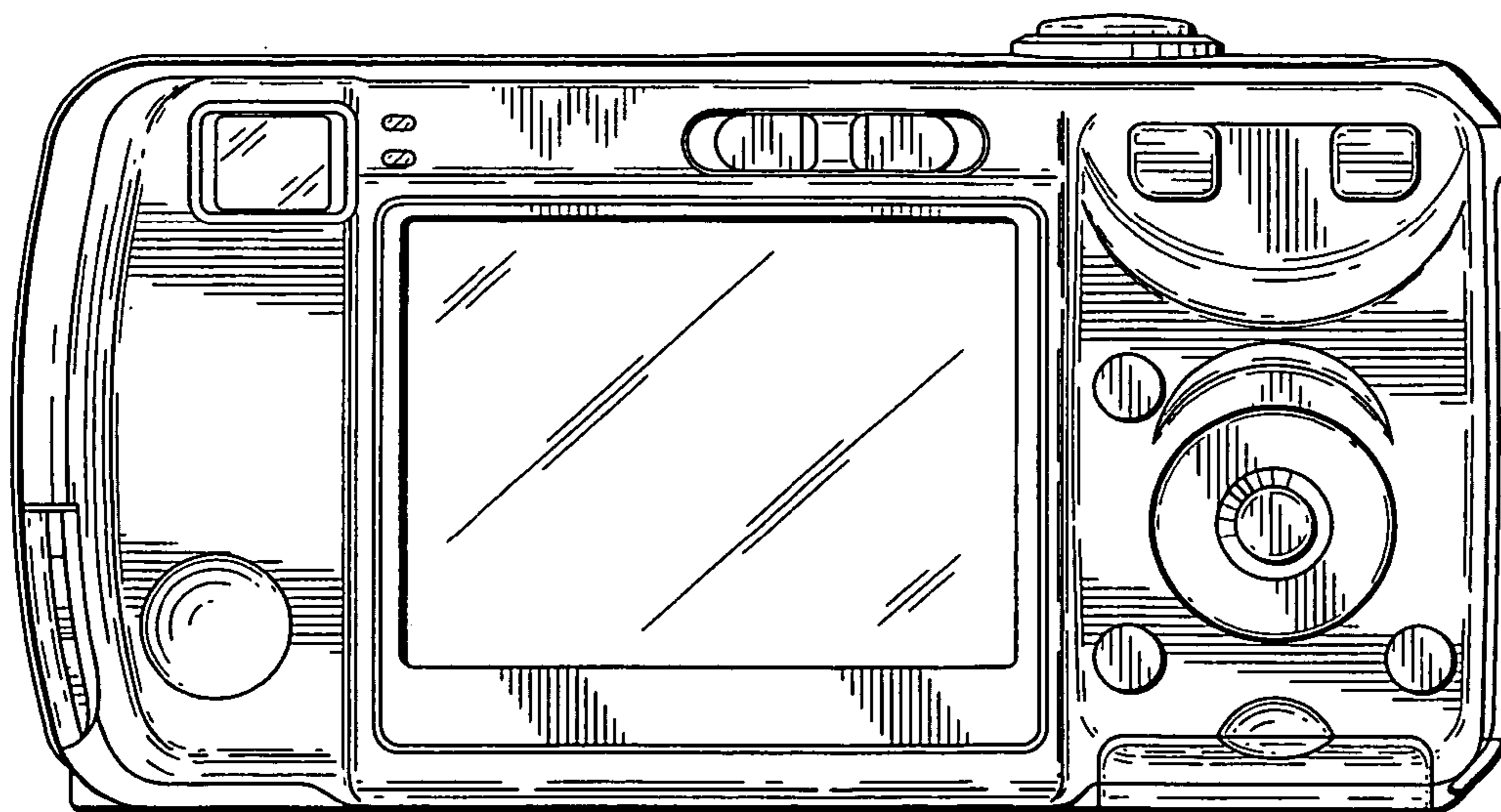


Fig. 3

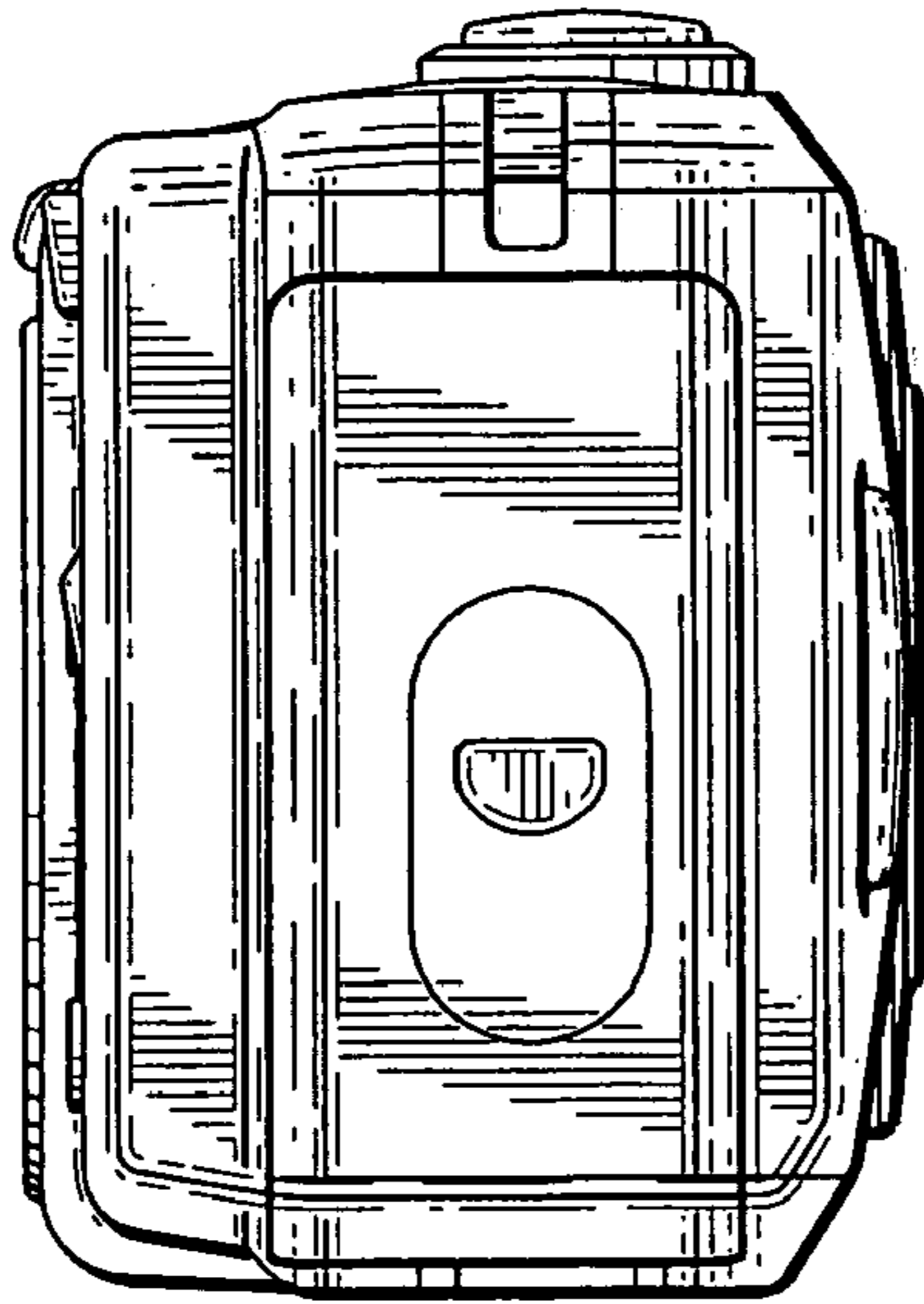


Fig. 4

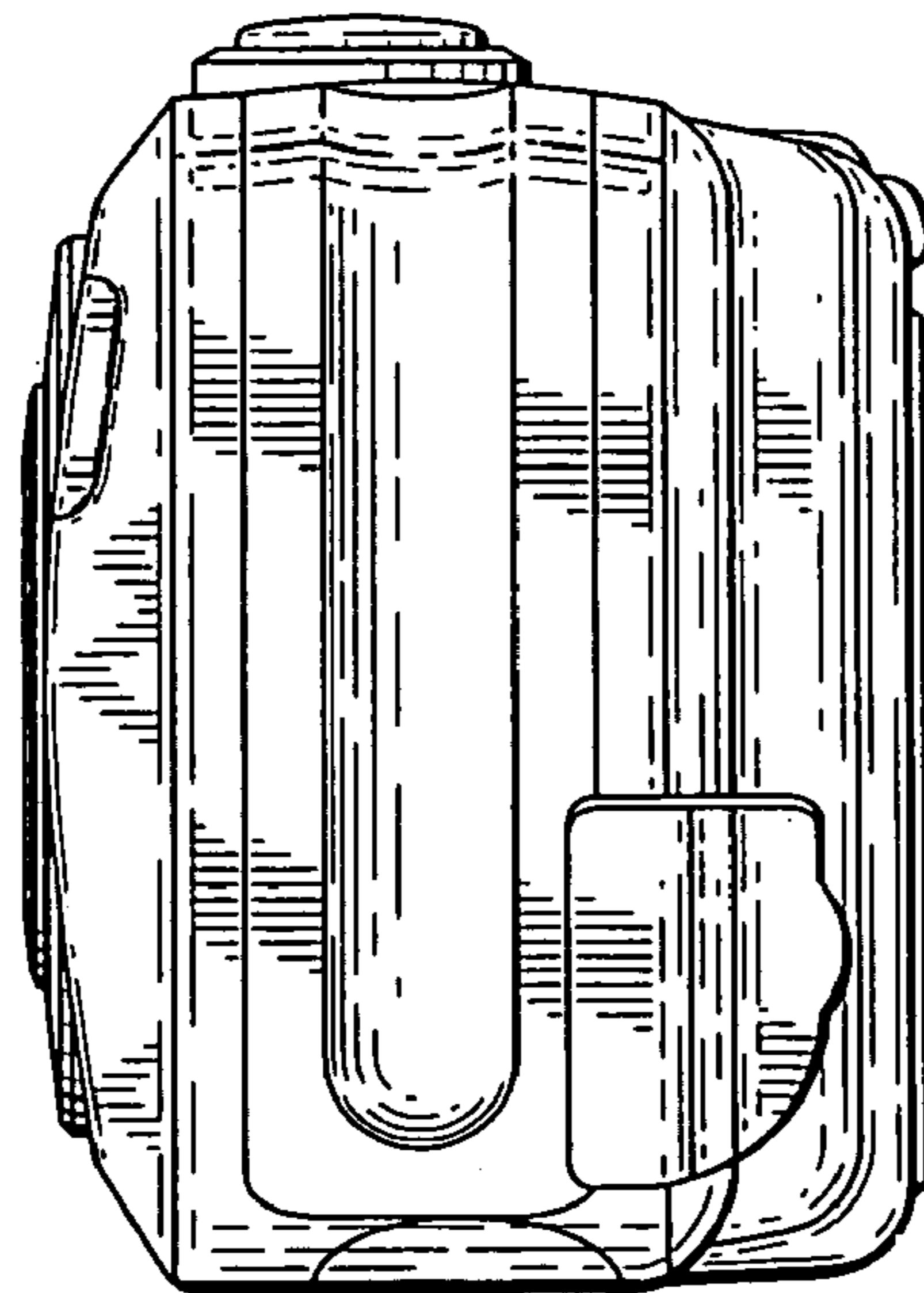


Fig. 5

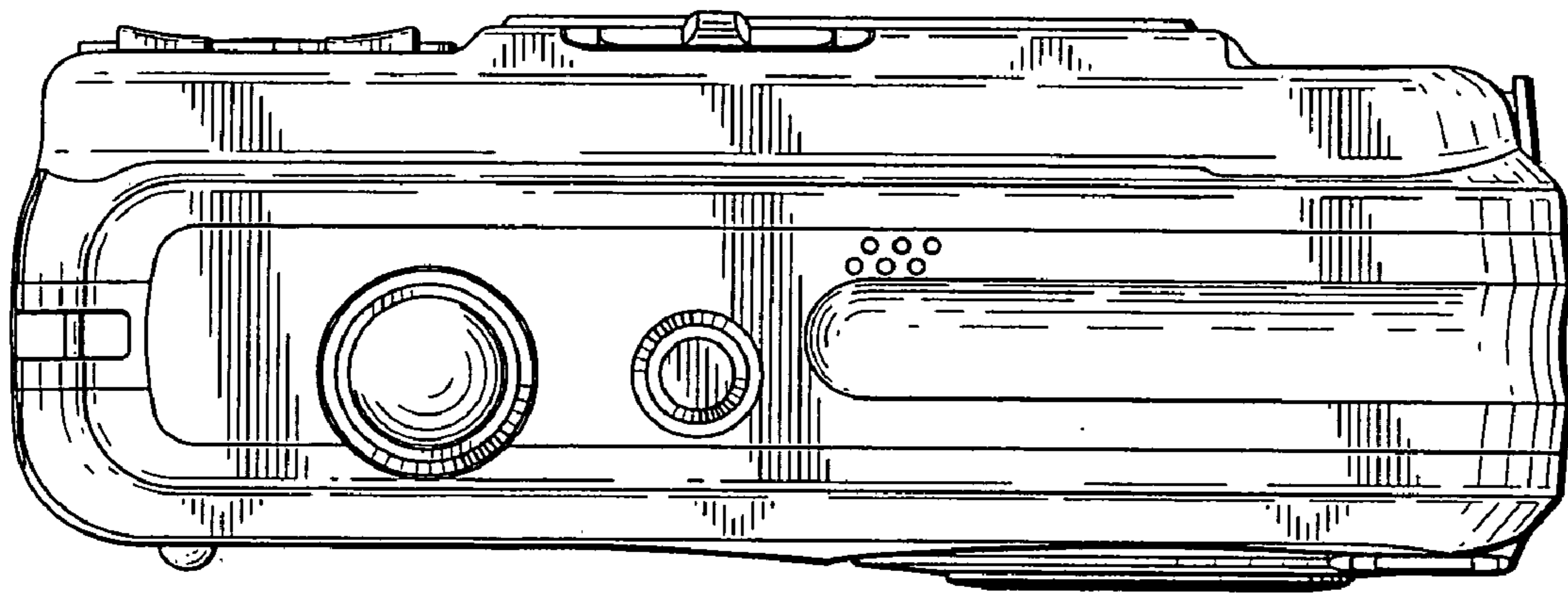


Fig. 6

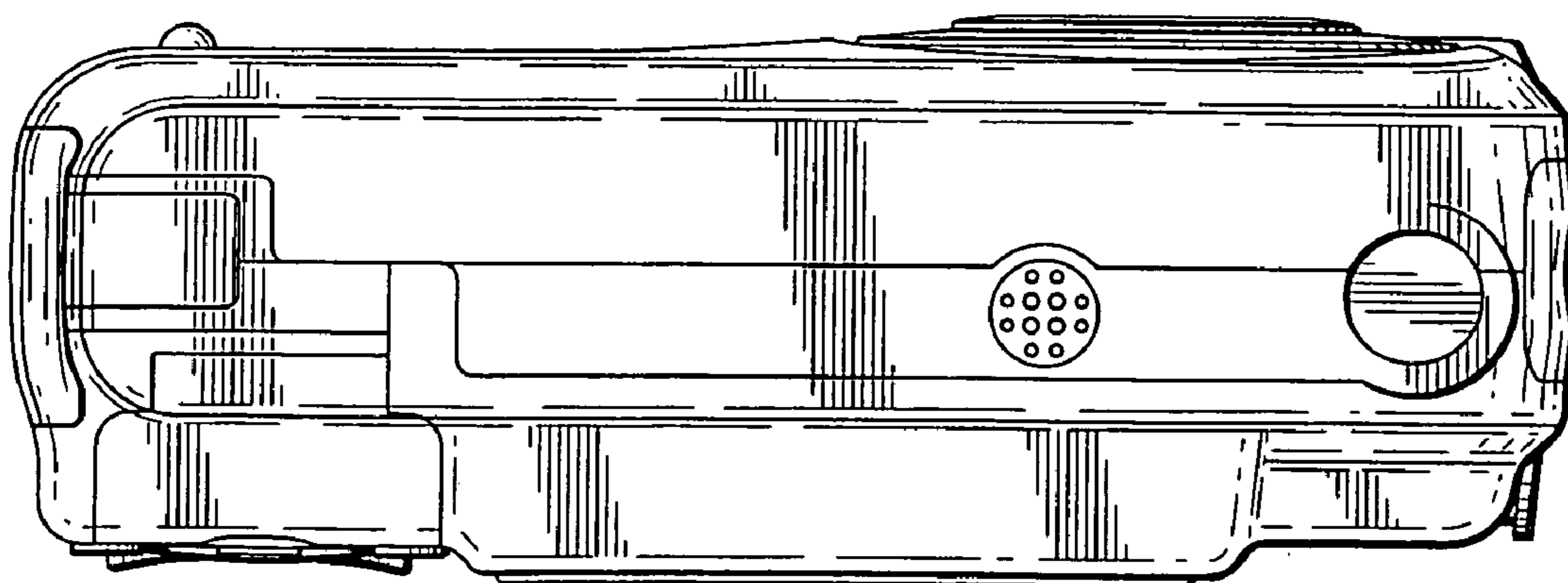


Fig. 7