



US00D552145S

(12) **United States Design Patent**
Grotto

(10) **Patent No.:** **US D552,145 S**

(45) **Date of Patent:** **** Oct. 2, 2007**

(54) **HOUSING FOR VIDEOCAMERA**

(75) Inventor: **Alessio Grotto**, Schio (IT)

(73) Assignee: **Videotec S.p.A.**, Schio (Vicenza) (IT)

(**) Term: **14 Years**

(21) Appl. No.: **29/251,773**

(22) Filed: **Jan. 12, 2006**

(51) **LOC (8) Cl.** **16-01**

(52) **U.S. Cl.** **D16/203; D16/200**

(58) **Field of Classification Search** D16/200–205,
D16/208, 218; 348/143, 151, 373–376; 358/906;
396/427, 433, 535–541

See application file for complete search history.

(56) **References Cited**

U.S. PATENT DOCUMENTS

D307,915 S *	5/1990	Kuester, III	D16/203
D438,227 S *	2/2001	Grotto	D16/203
D481,407 S *	10/2003	Alessio	D16/203
6,728,480 B1 *	4/2004	Maeda et al.	396/427
D497,928 S *	11/2004	Cheng-Yuan	D16/203

D514,150 S *	1/2006	Muto et al.	D16/203
D528,144 S *	9/2006	Takemasa	D16/203
2001/0015764 A1 *	8/2001	Marchesini	348/373

* cited by examiner

Primary Examiner—Adir Aronovich

(74) *Attorney, Agent, or Firm*—Bucknam and Archer

(57) **CLAIM**

The ornamental design for a housing for videocamera, as shown and described.

DESCRIPTION

FIG. 1 is a front perspective view of my design for a housing for videocamera;

FIG. 2 is a front elevational view thereof;

FIG. 3 is a right side elevational view thereof;

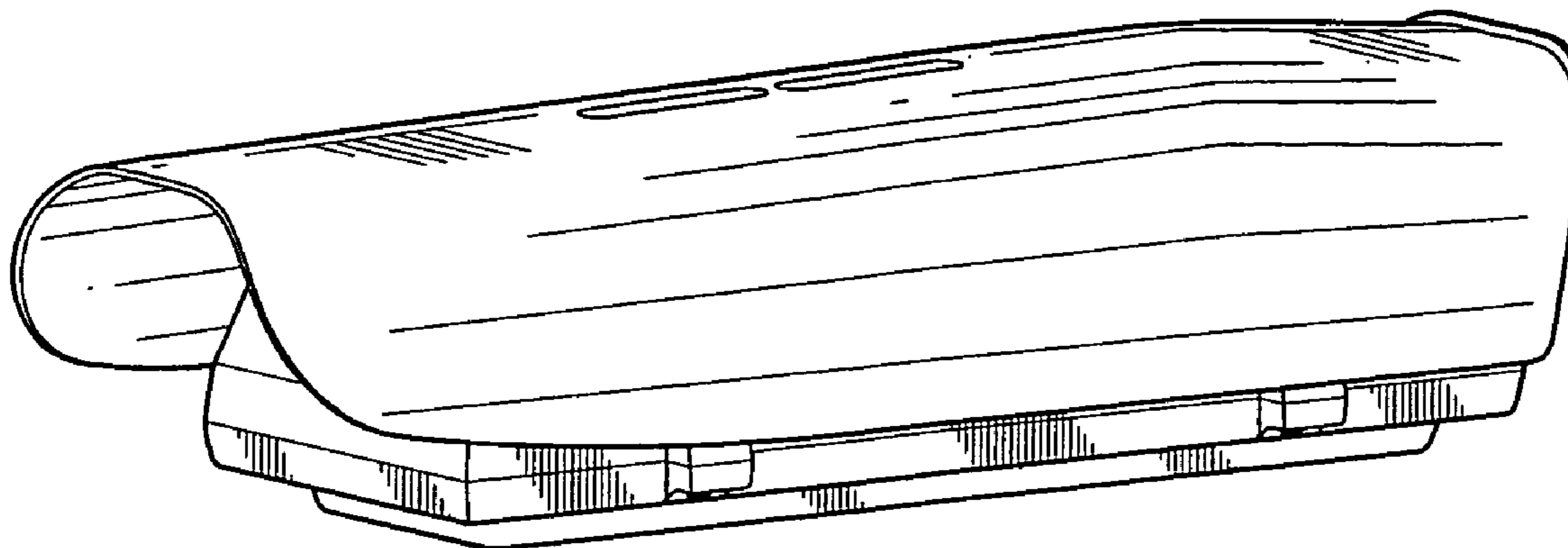
FIG. 4 is a rear elevational view thereof;

FIG. 5 is a left side elevational view thereof;

FIG. 6 is a top plan view thereof; and,

FIG. 7 is a bottom plan view thereof.

1 Claim, 3 Drawing Sheets



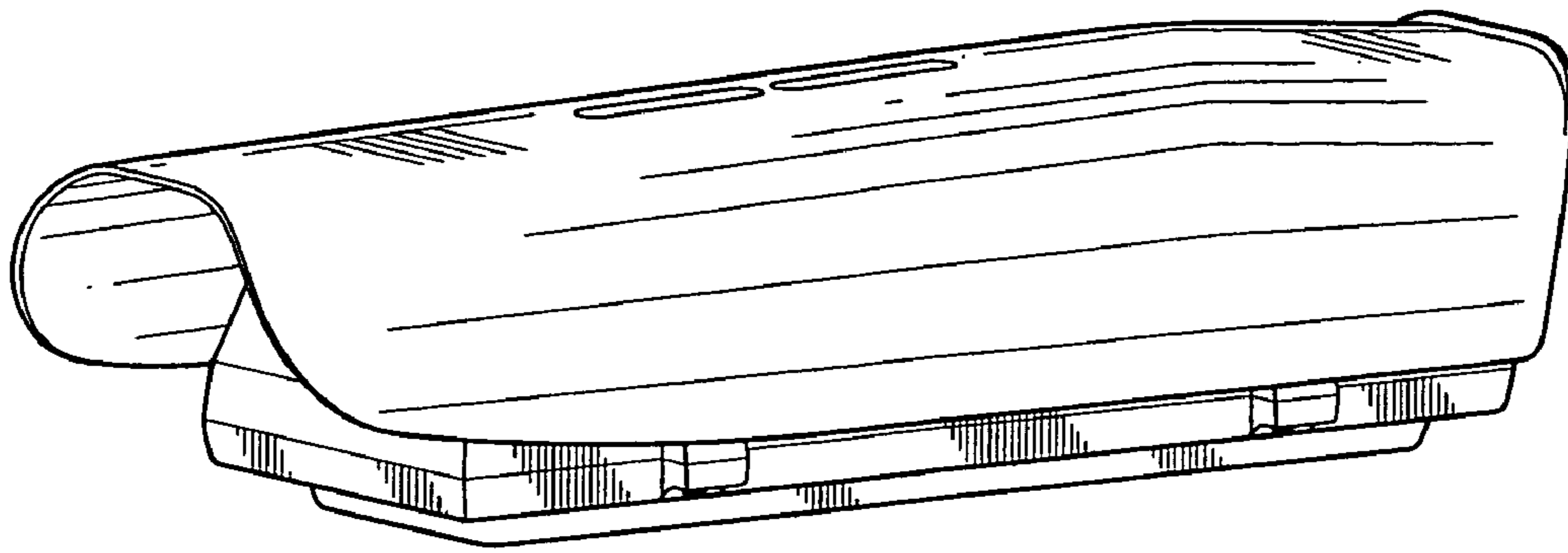


FIG. 1

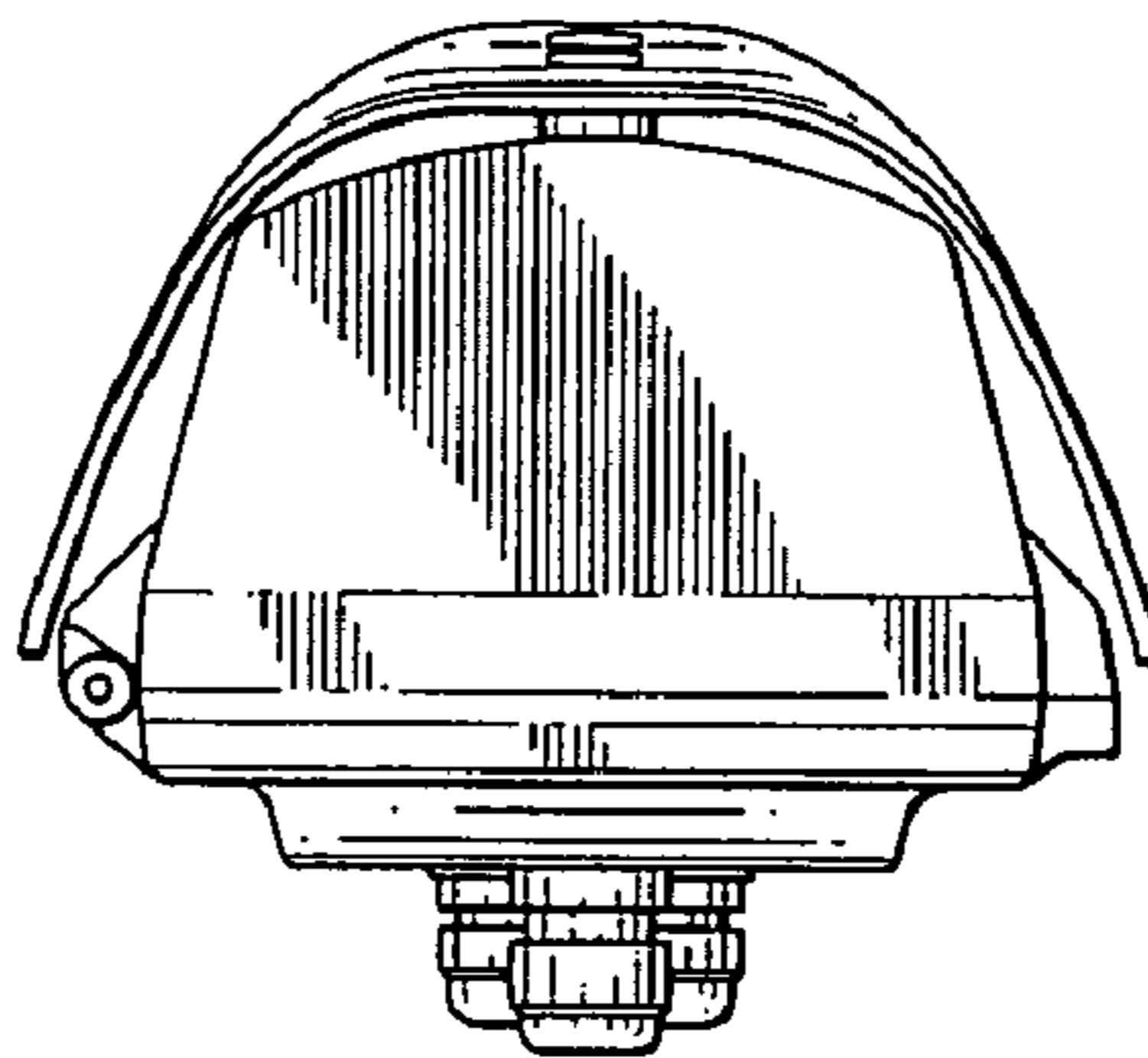


FIG. 2

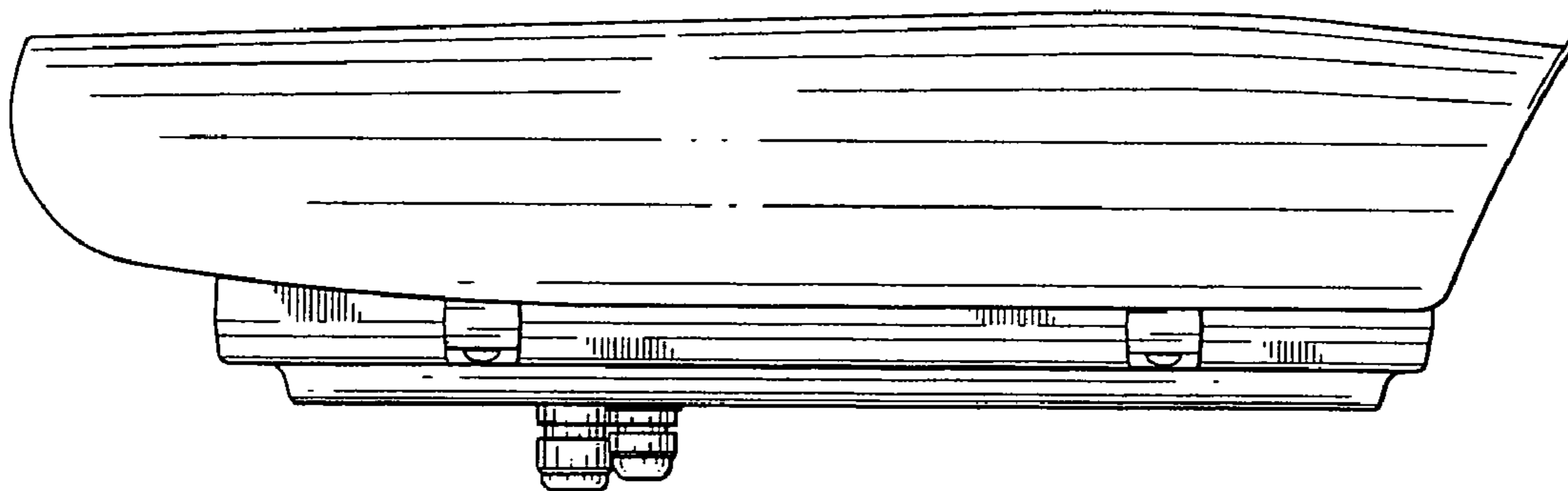


FIG. 3

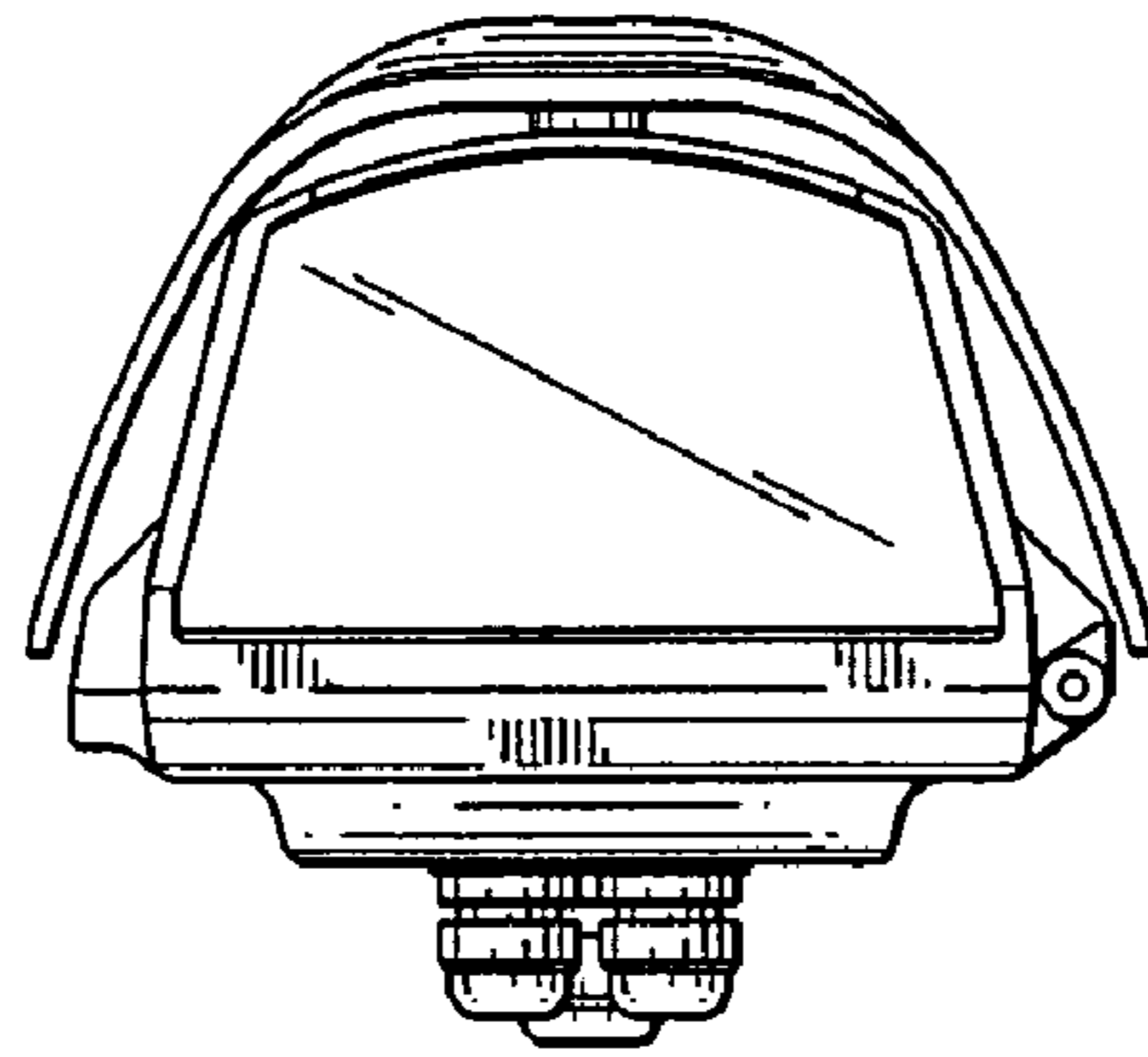


FIG. 4

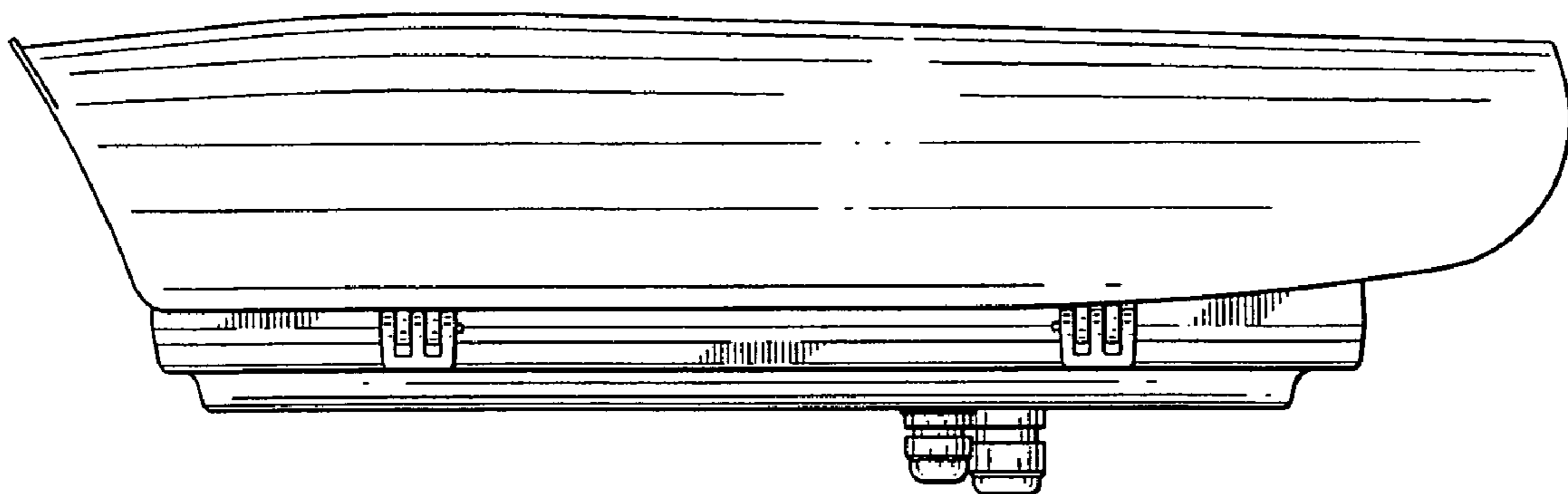


FIG. 5

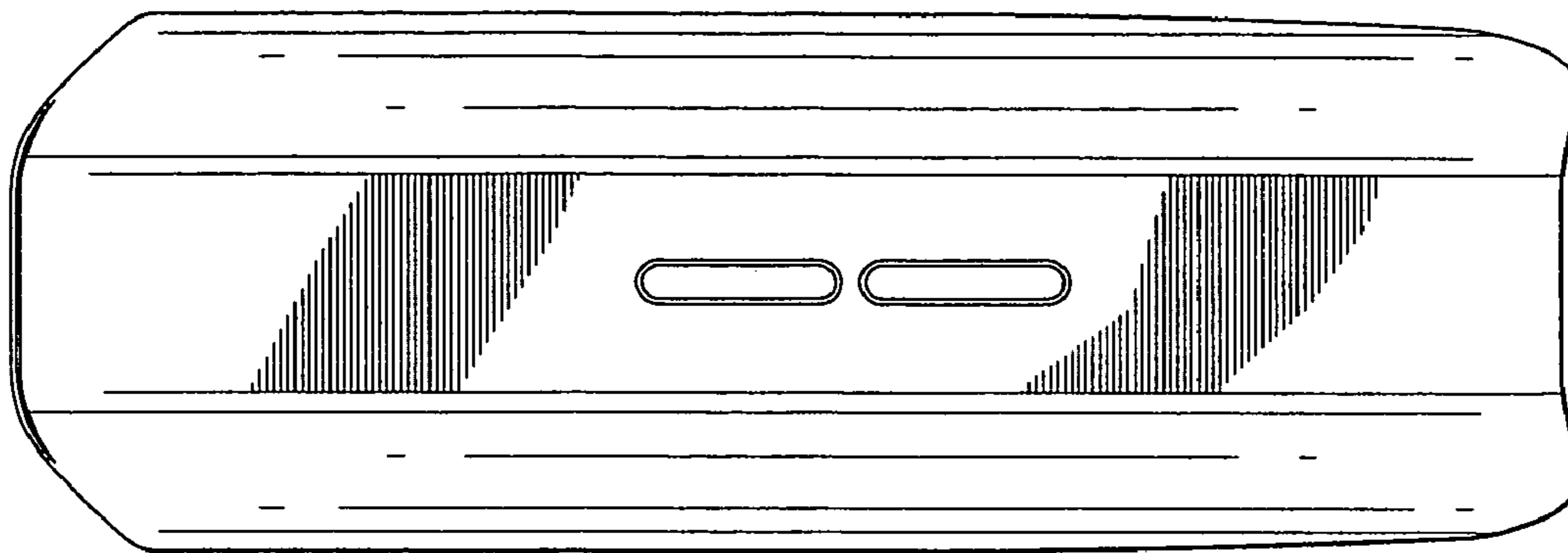


FIG. 6

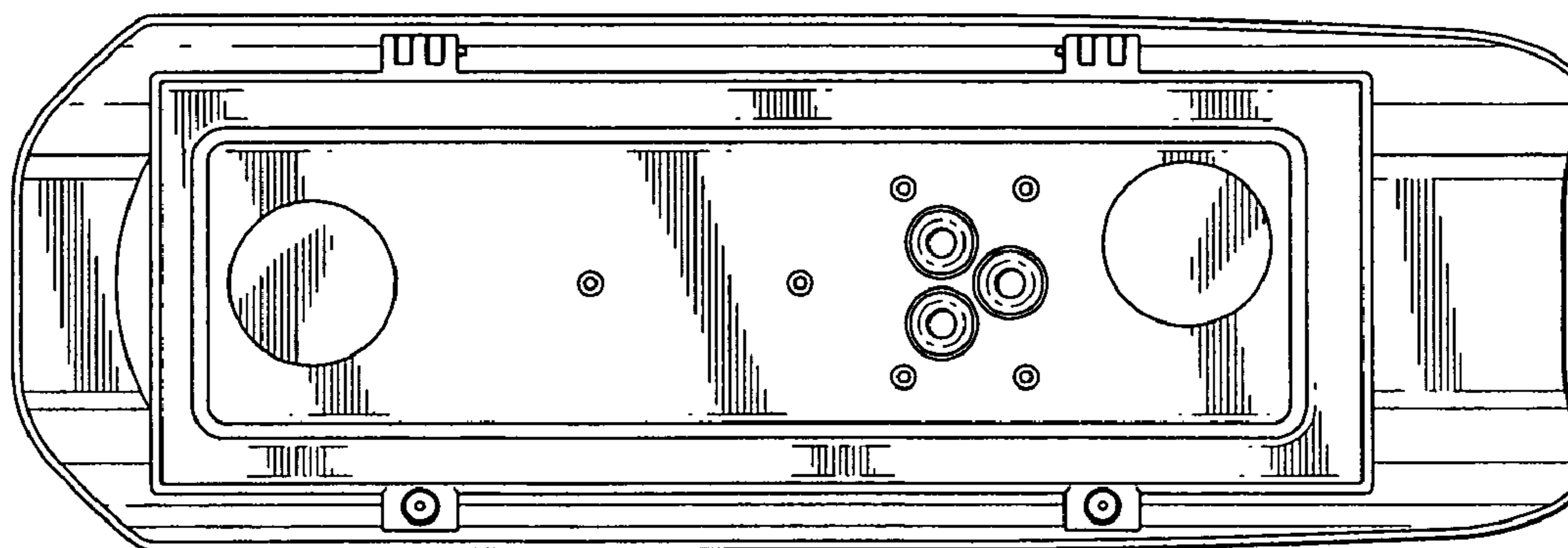


FIG. 7