



US00D552143S

(12) **United States Design Patent**  
**Kojima et al.**

(10) **Patent No.:** **US D552,143 S**  
(45) **Date of Patent:** **\*\* Oct. 2, 2007**

(54) **VIDEO CAMERA WITH DIGITAL VIDEO DISC PLAYER**

(75) Inventors: **Akira Kojima**, Kunitachi (JP); **Atsushi Ishibashi**, Tokorozawa (JP); **Shinichi Morita**, Kokubunji (JP); **Koutaro Nomura**, Chigasaki (JP); **Minoru Ikeda**, Inagi (JP); **Shinichi Ishikuro**, Yokohama (JP)

(73) Assignee: **Hitachi, Ltd.**, Tokyo (JP)

(\*\*) Term: **14 Years**

(21) Appl. No.: **29/253,904**

(22) Filed: **Feb. 15, 2006**

(30) **Foreign Application Priority Data**

Dec. 22, 2005 (JP) ..... 2005-037668

(51) **LOC (8) Cl.** ..... **16-01**

(52) **U.S. Cl.** ..... **D16/202**

(58) **Field of Classification Search** ..... D14/168;  
D16/200-206, 208, 218; 348/373-376; 358/906,  
358/909.1; 396/535-541

See application file for complete search history.

(56) **References Cited**

**U.S. PATENT DOCUMENTS**

D491,967 S \* 6/2004 Kojima et al. .... D16/202  
D500,512 S \* 1/2005 Hayashi ..... D16/208  
D505,438 S \* 5/2005 Kojima et al. .... D16/202  
D515,123 S \* 2/2006 Kojima et al. .... D16/202

D516,597 S \* 3/2006 Tsuchiya ..... D16/202  
D517,107 S \* 3/2006 Kojima et al. .... D16/202  
2005/0140823 A1\* 6/2005 Ishikuro ..... 348/375

\* cited by examiner

*Primary Examiner*—Adir Aronovich

(74) *Attorney, Agent, or Firm*—Antonelli, Terry, Stout & Kraus, LLP.

(57) **CLAIM**

We claim the ornamental design for video camera with digital video disc player, as shown and described.

**DESCRIPTION**

FIG. 1 is a front, top and right side perspective view of video camera with digital video disc player showing our new design;

FIG. 2 is a front elevational view thereof;

FIG. 3 is a rear elevational view thereof;

FIG. 4 is a right side elevational view thereof;

FIG. 5 is a left side elevational view thereof;

FIG. 6 is a top plan view thereof;

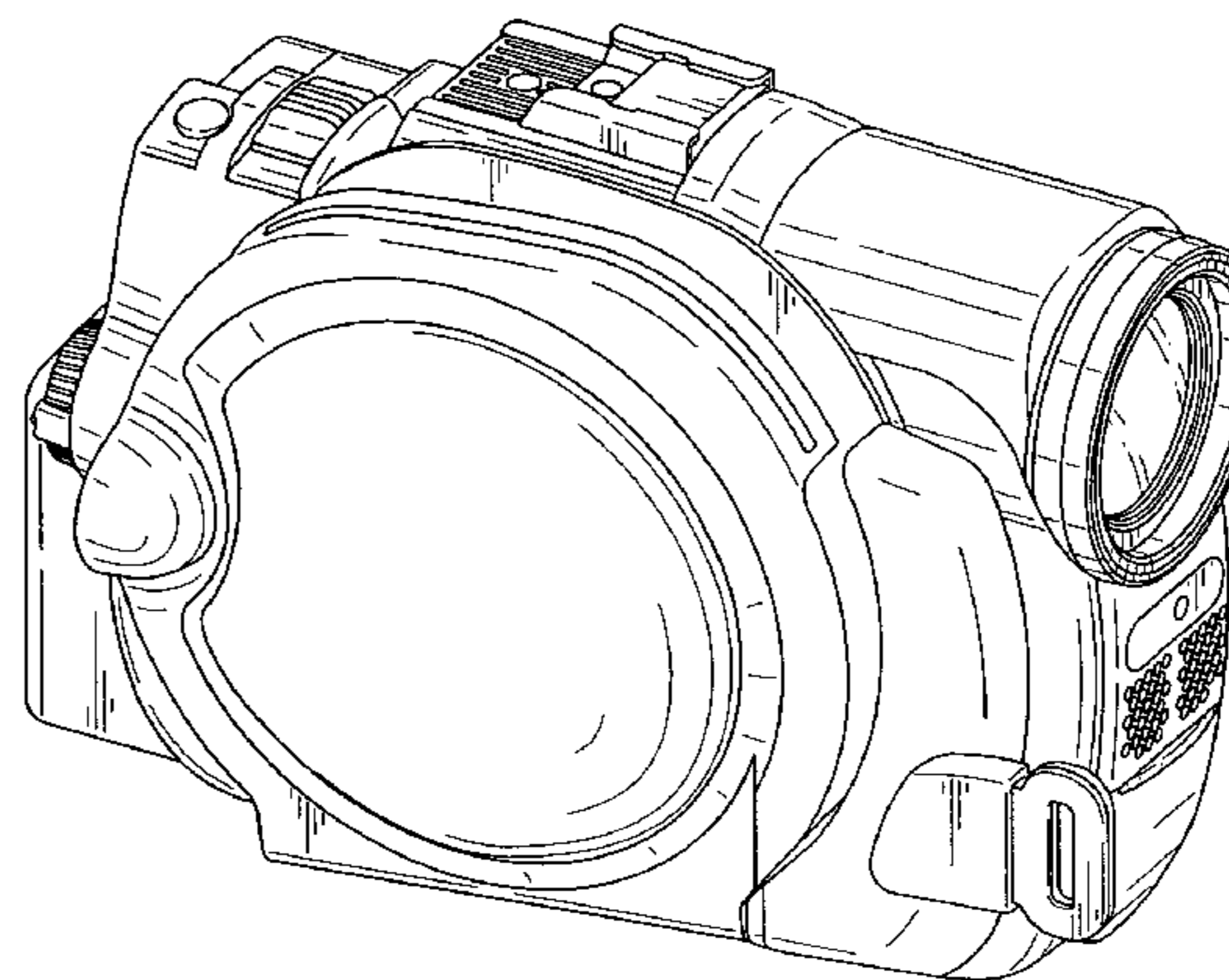
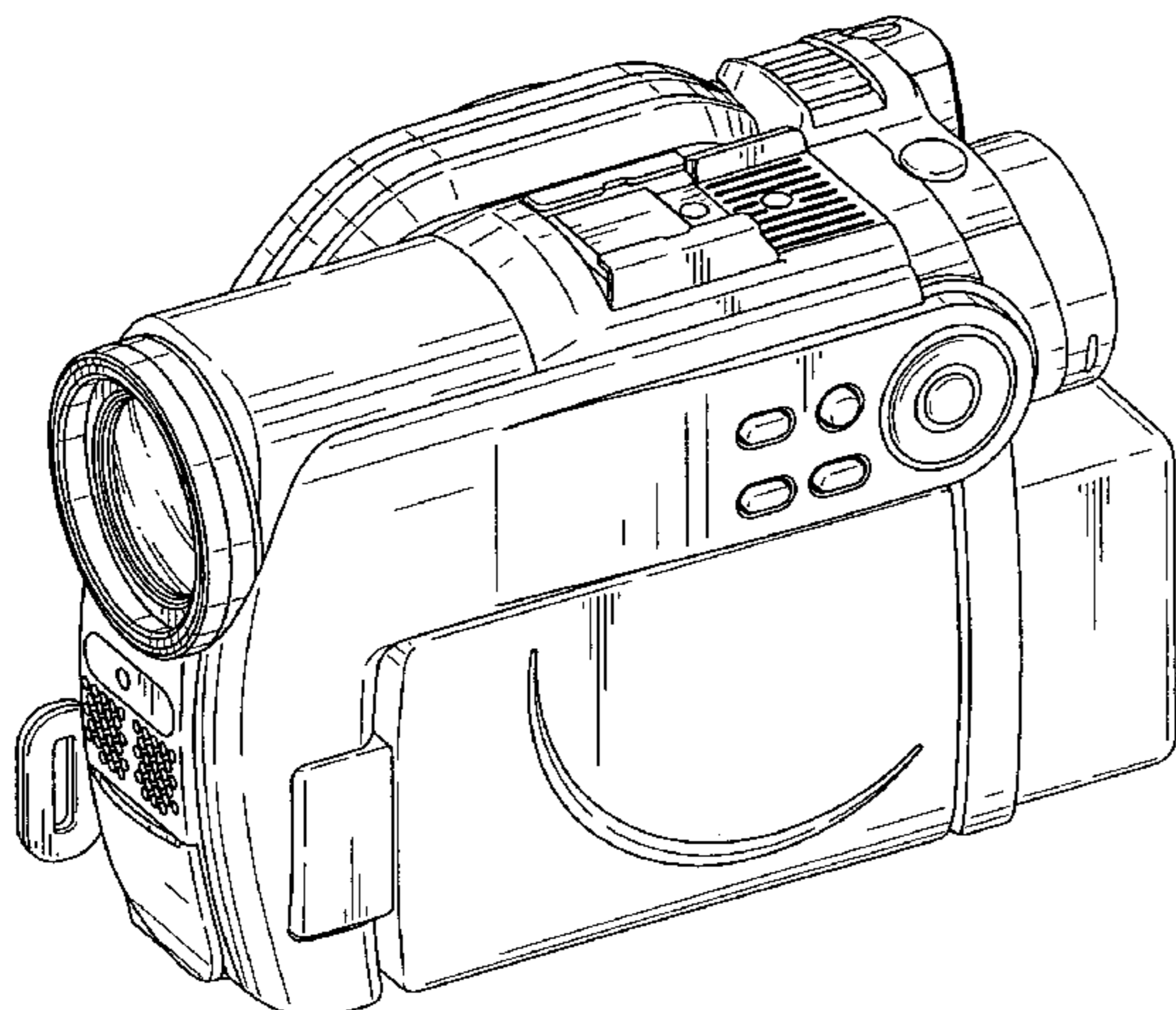
FIG. 7 is a bottom plan view thereof;

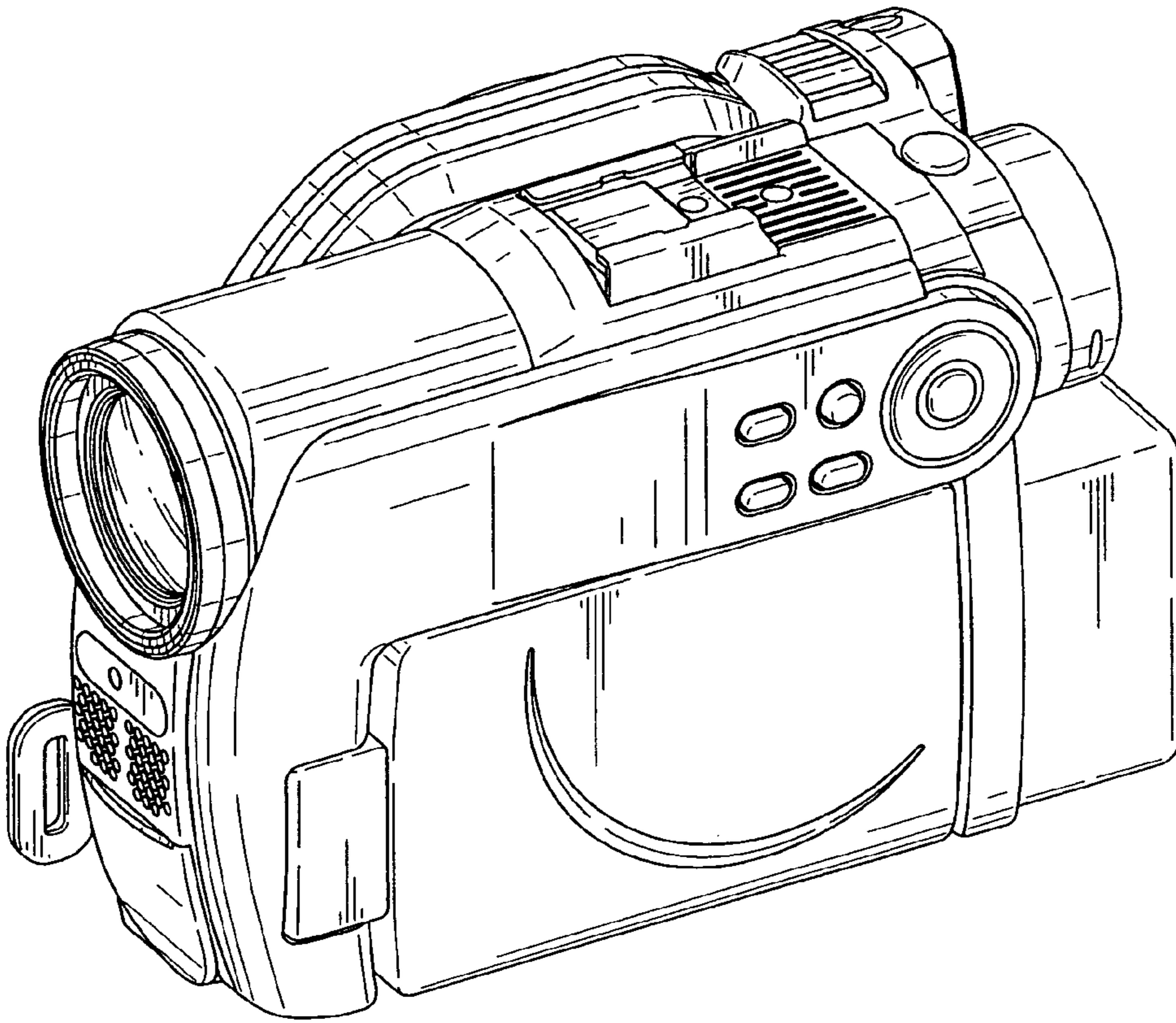
FIG. 8 is a front, top and left side view perspective view thereof, a disc cover being opened;

FIG. 9 is a right side view elevational thereof, a liquid crystal monitor being opened; and,

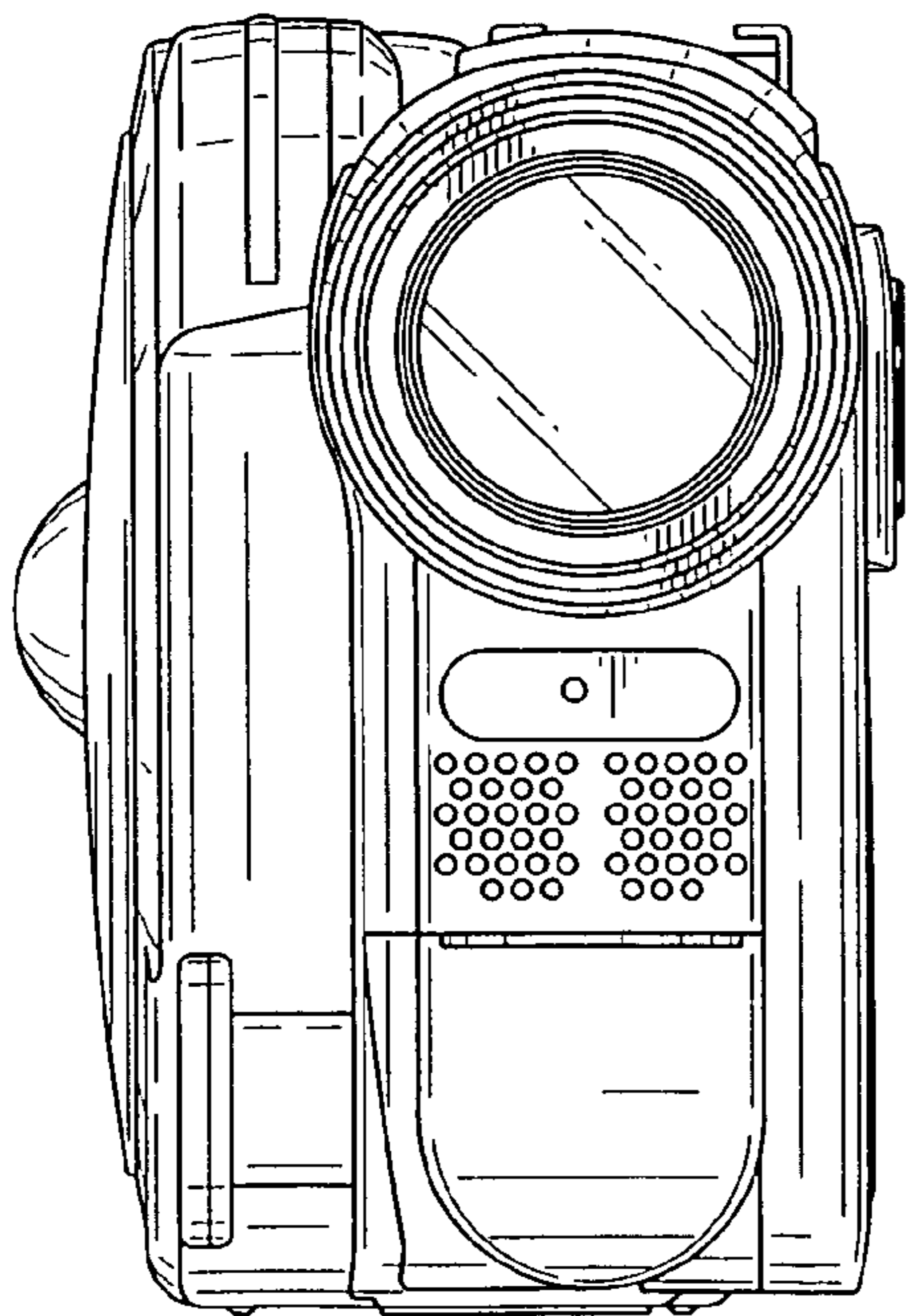
FIG. 10 is a rear elevational view thereof, liquid crystal monitor being opened.

**1 Claim, 5 Drawing Sheets**

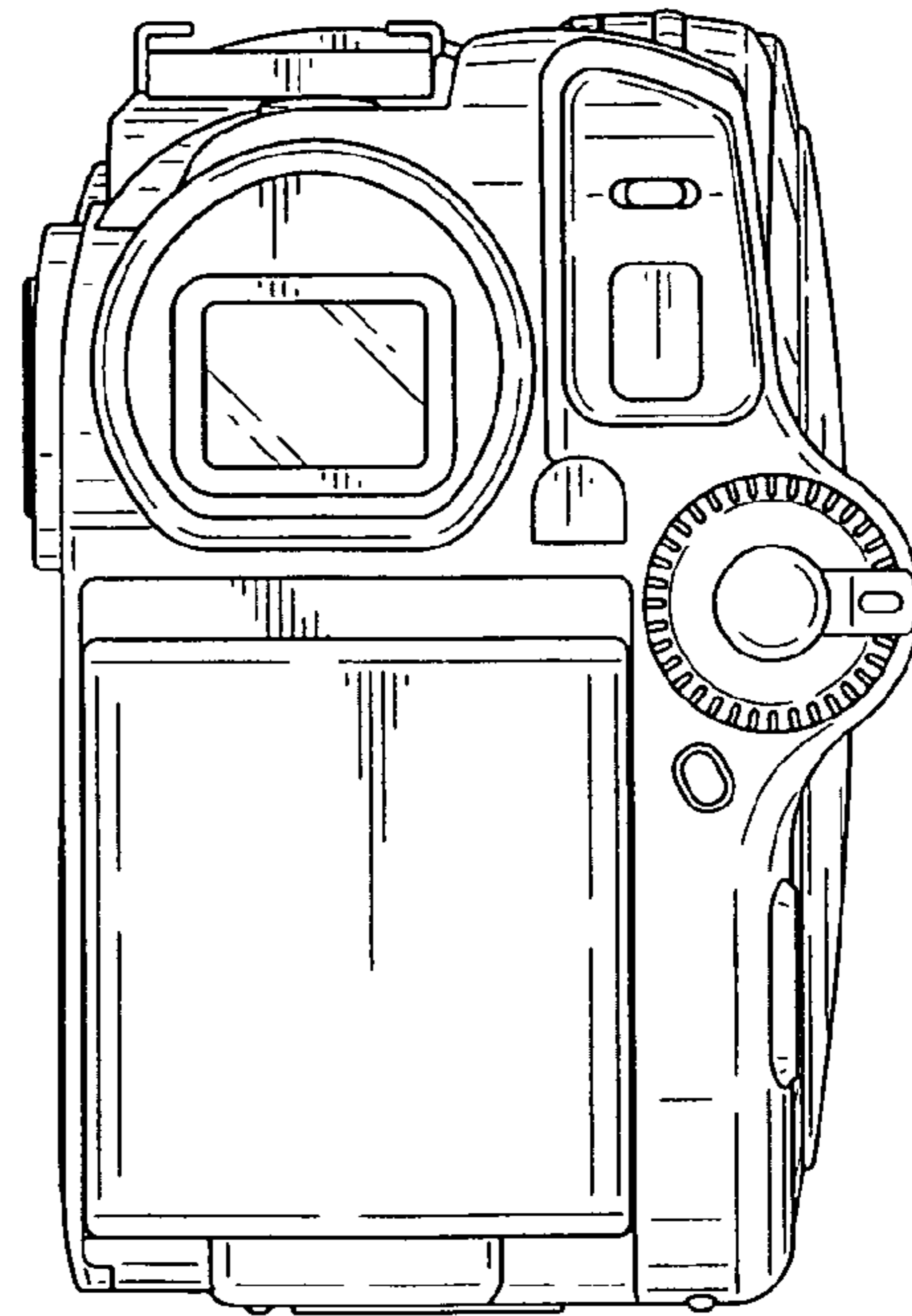




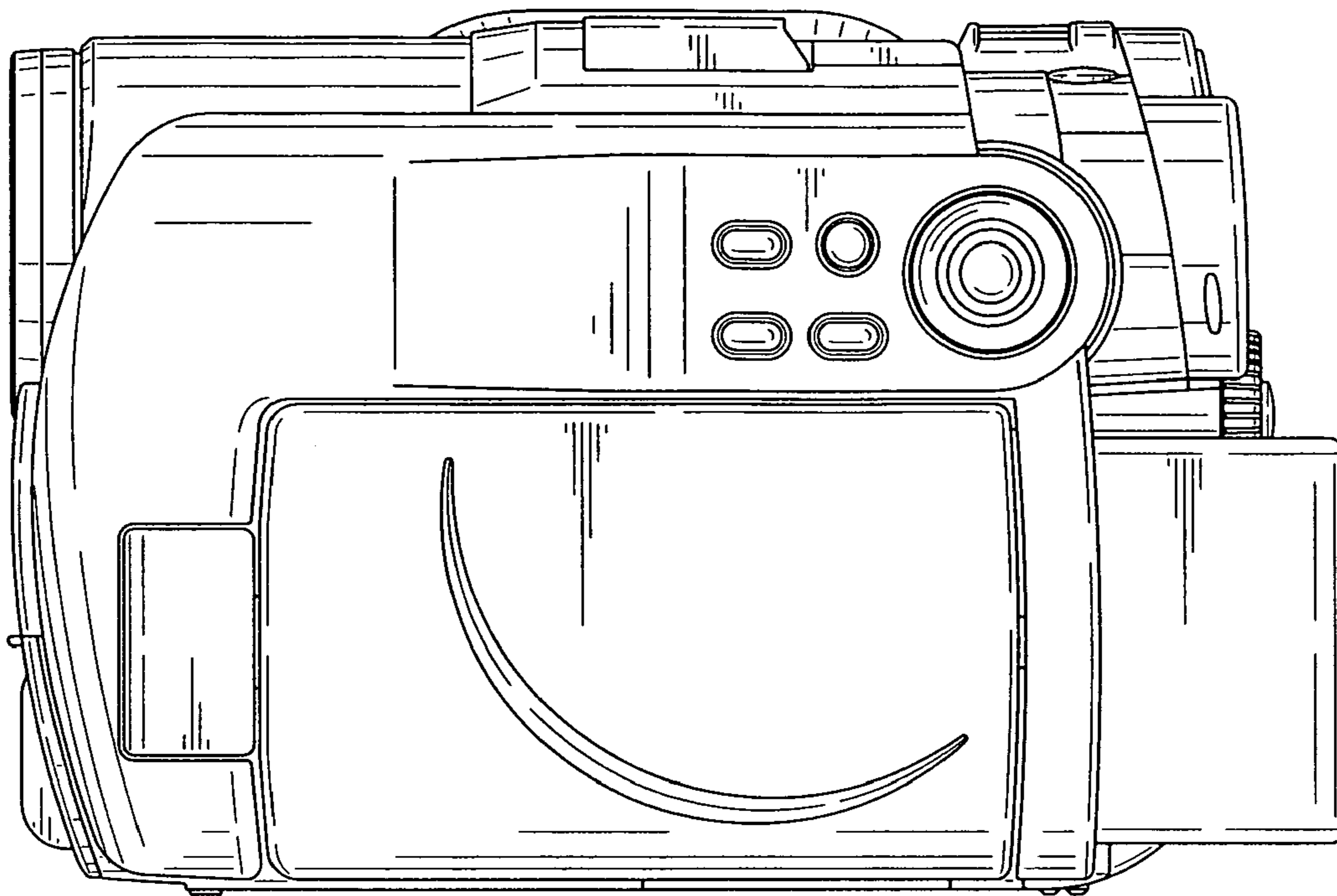
*FIG. 1*



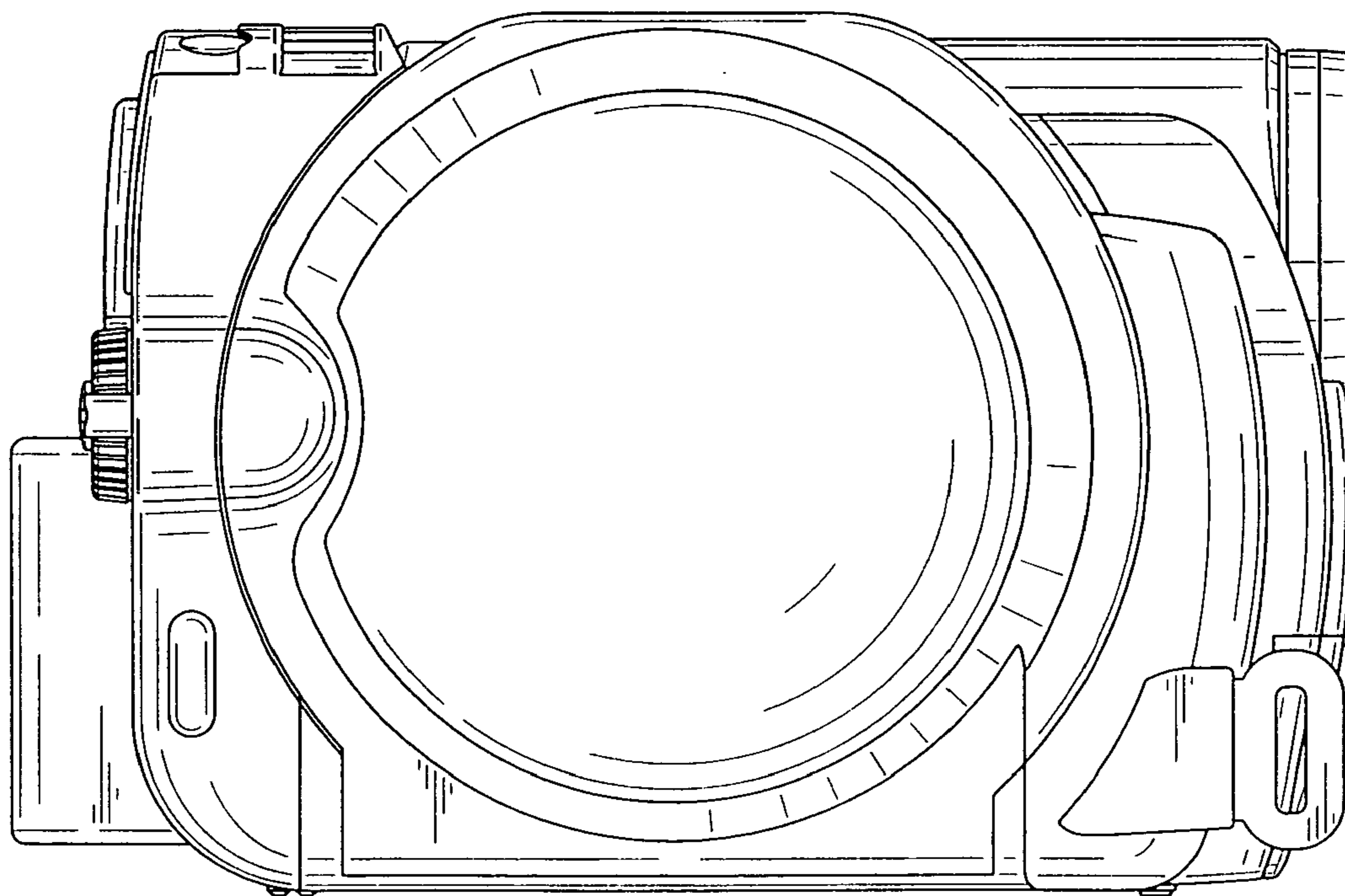
*FIG. 2*



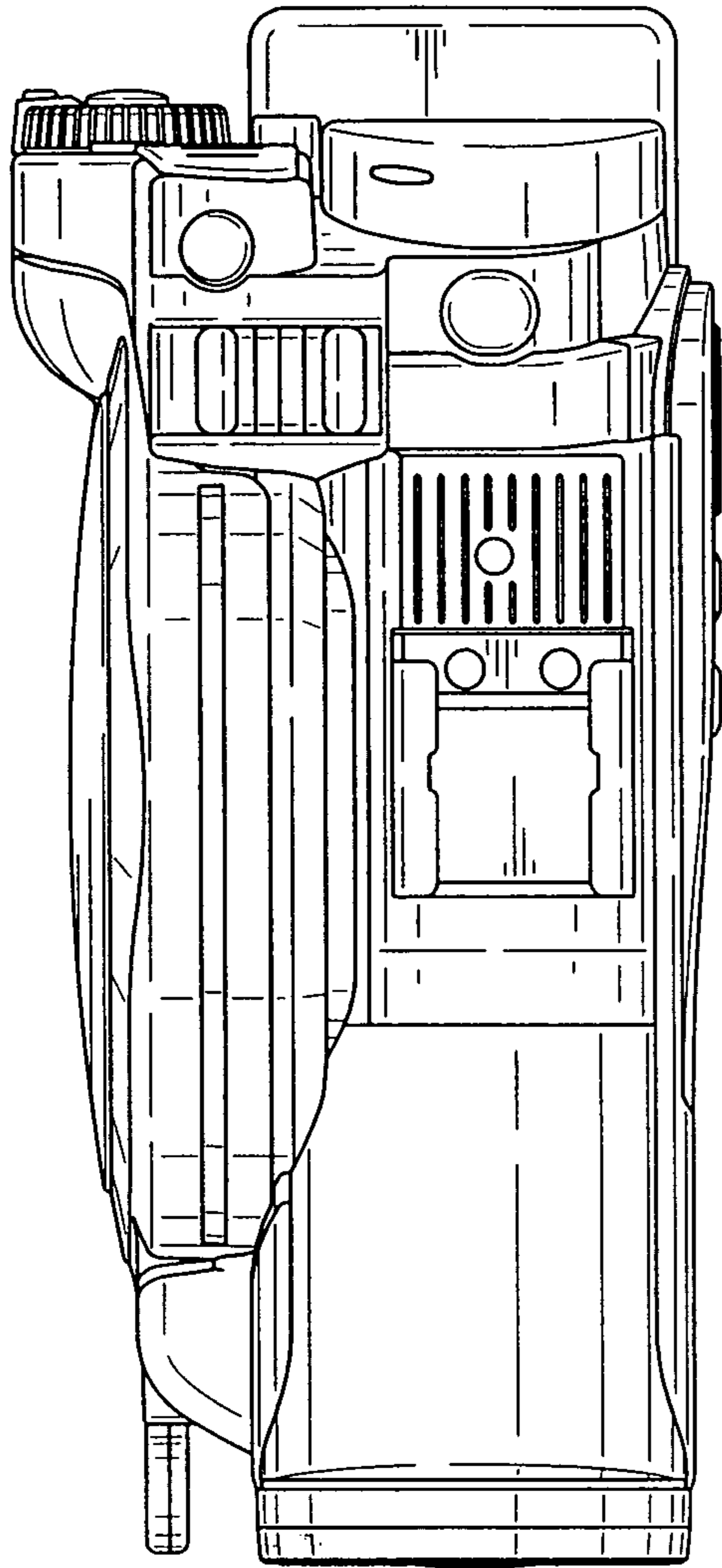
*FIG. 3*



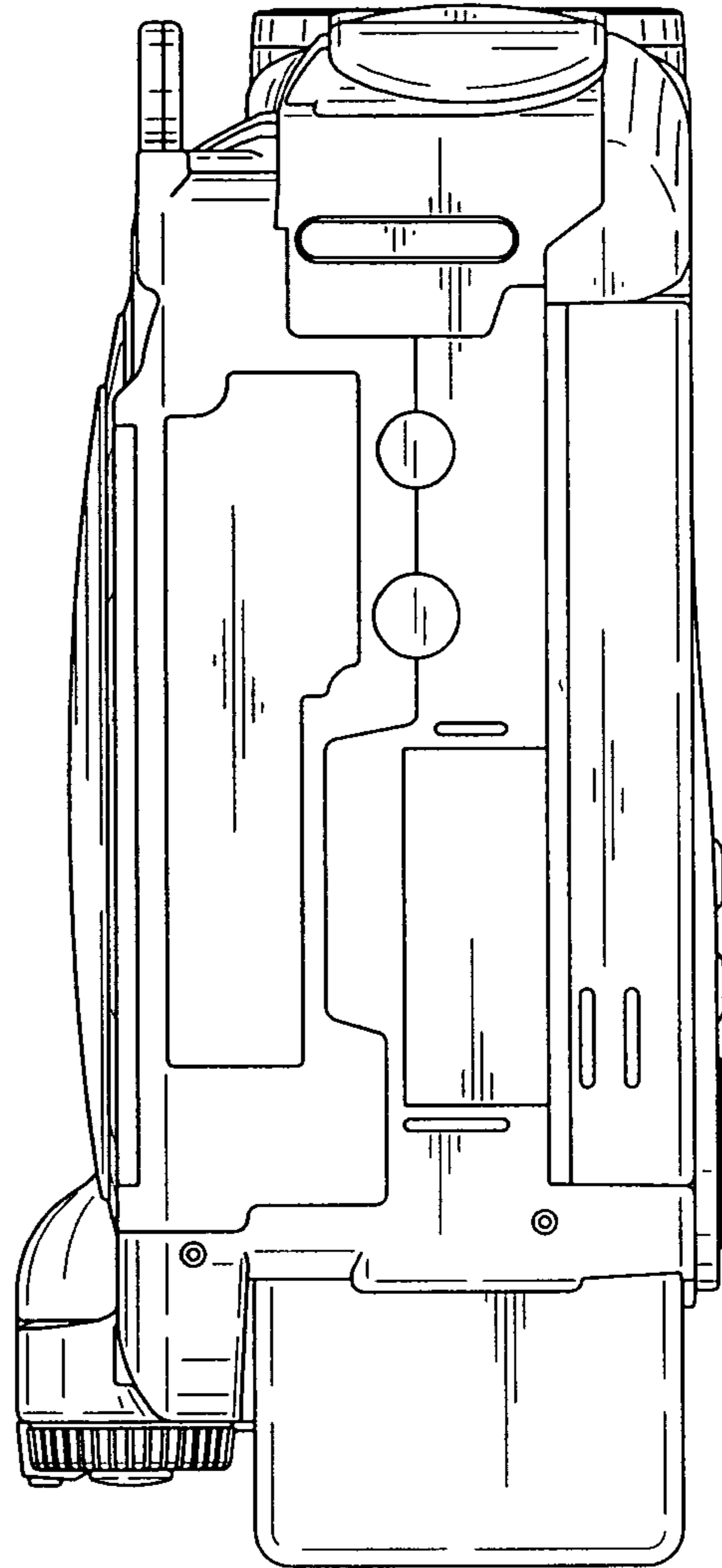
*FIG. 4*



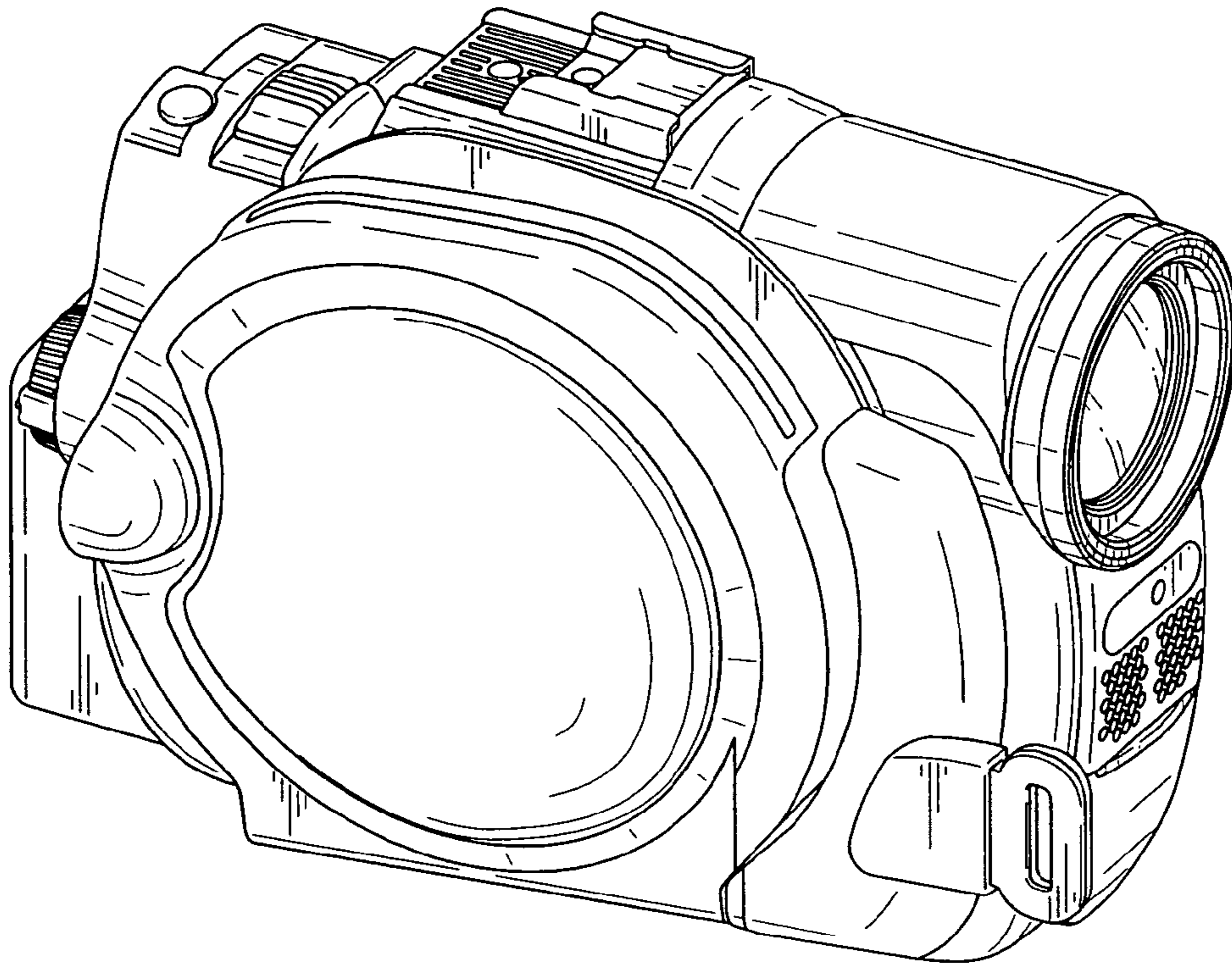
*FIG. 5*



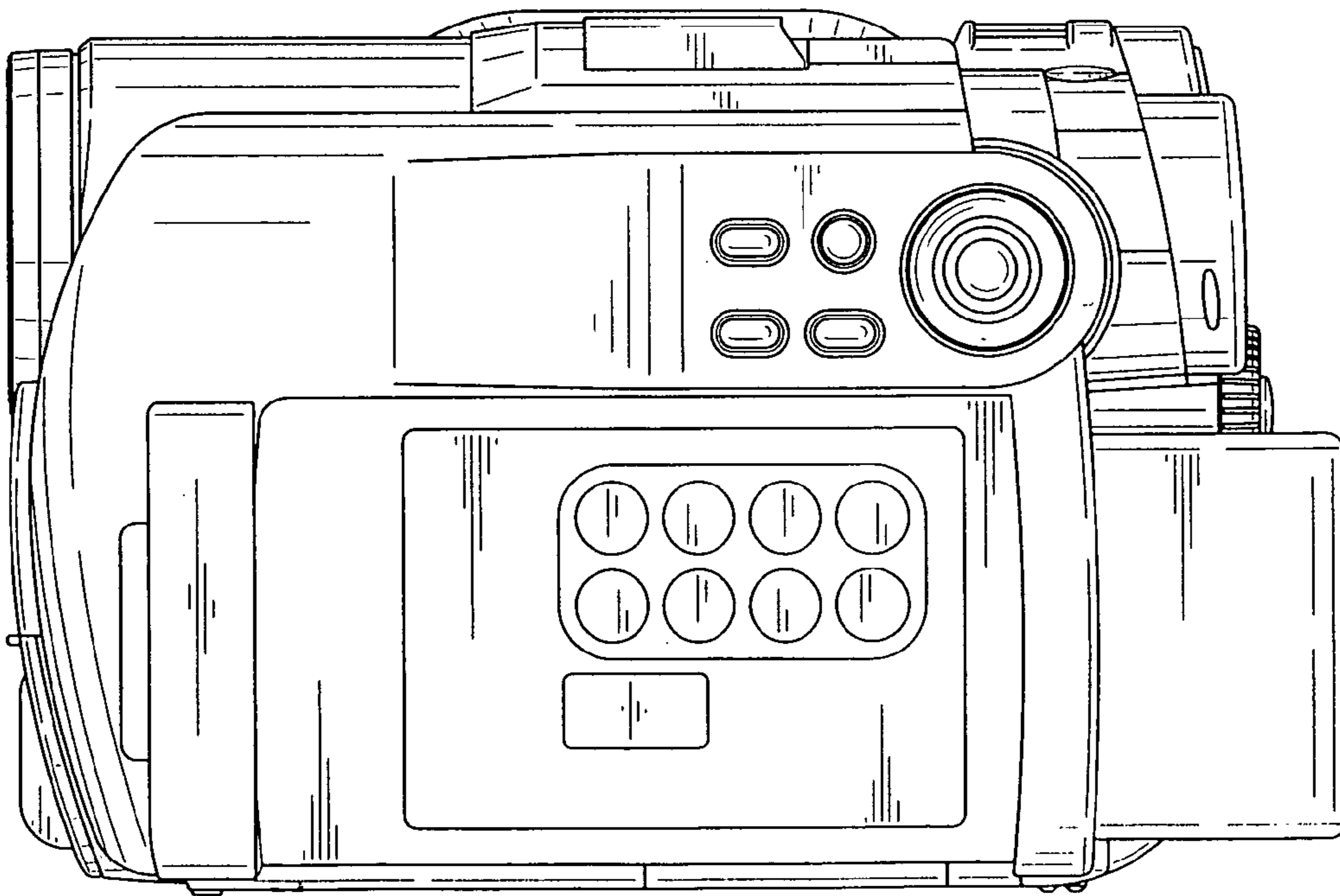
*FIG. 6*



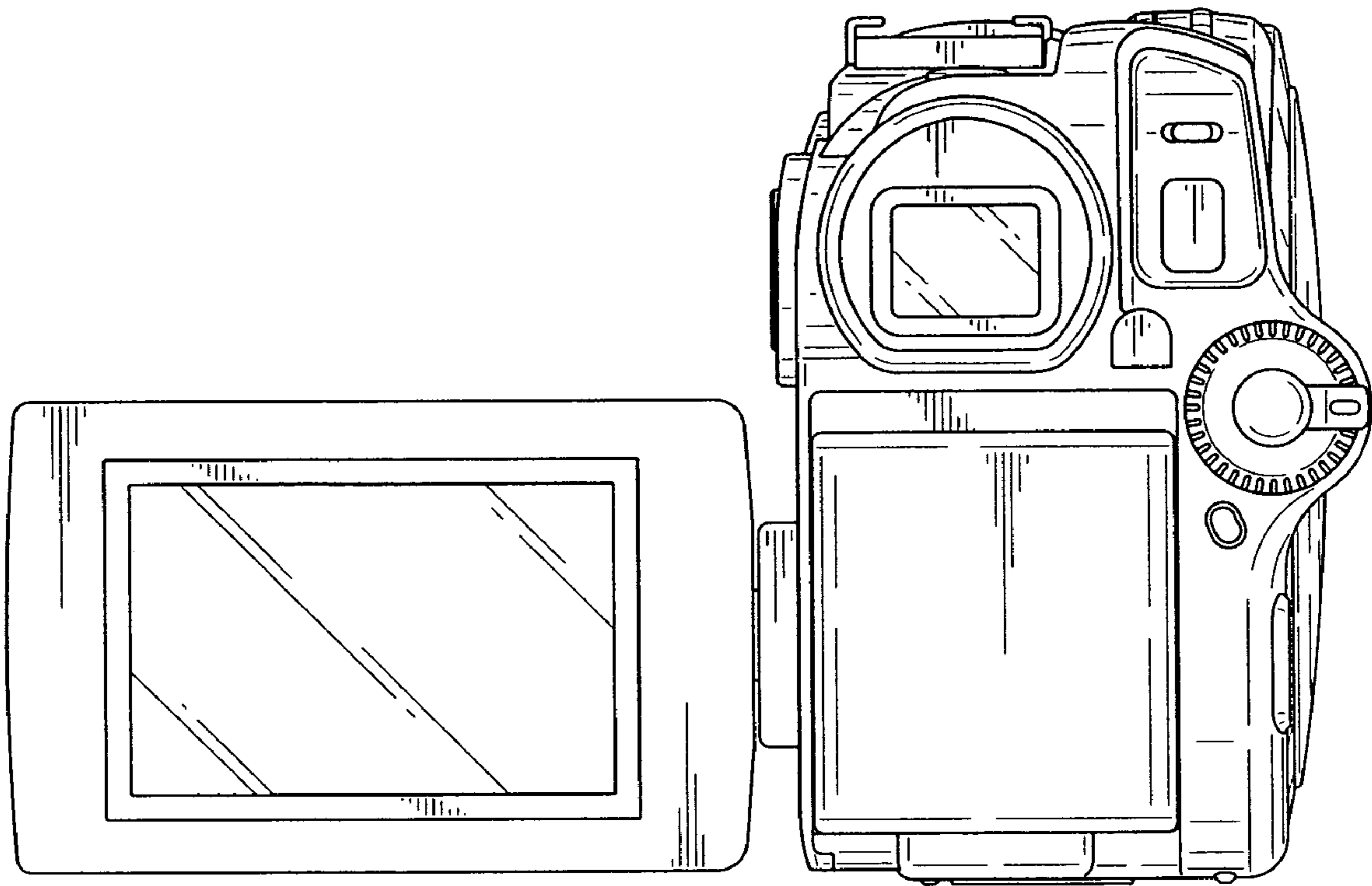
*FIG. 7*



*FIG. 8*



*FIG. 9*



*FIG. 10*