



US00D552139S

(12) **United States Design Patent**
Cho

(10) **Patent No.:** **US D552,139 S**

(45) **Date of Patent:** **** Oct. 2, 2007**

(54) **EJECTOR COVER FOR VACUUM PUMP**

(75) Inventor: **Ho-Young Cho**, Seoul (KR)

(73) Assignee: **Korea Pneumatic System Co., Ltd**,
Seoul (KR)

(**) Term: **14 Years**

(21) Appl. No.: **29/251,197**

(22) Filed: **Jan. 3, 2006**

(30) **Foreign Application Priority Data**

Jul. 4, 2005 (KR) 30-2005-0022257

(51) **LOC (8) Cl.** **15-99**

(52) **U.S. Cl.** **D15/199; D15/7**

(58) **Field of Classification Search** D15/199;
417/54, 151, 161, 169, 174, 189, 191, 192
See application file for complete search history.

(56) **References Cited**

U.S. PATENT DOCUMENTS

4,696,625	A *	9/1987	Greenberg	417/174
4,960,364	A	10/1990	Tell		
D325,038	S	3/1992	Tell		
D333,827	S	3/1993	Tell		
D490,451	S *	5/2004	Nagai et al.	D15/199

* cited by examiner

Primary Examiner—Antoine D. Davis

Assistant Examiner—Patricia Palaik

(74) *Attorney, Agent, or Firm*—Jackson Walker LLP; Robert C. Klinger

(57) **CLAIM**

The ornamental design for an ejector cover for vacuum pump.

DESCRIPTION

FIG. 1 is a perspective view showing my design;

FIG. 2 is a front elevational view thereof;

FIG. 3 is a rear elevational view thereof;

FIG. 4 is a left side elevational view thereof;

FIG. 5 is a right side elevational view thereof;

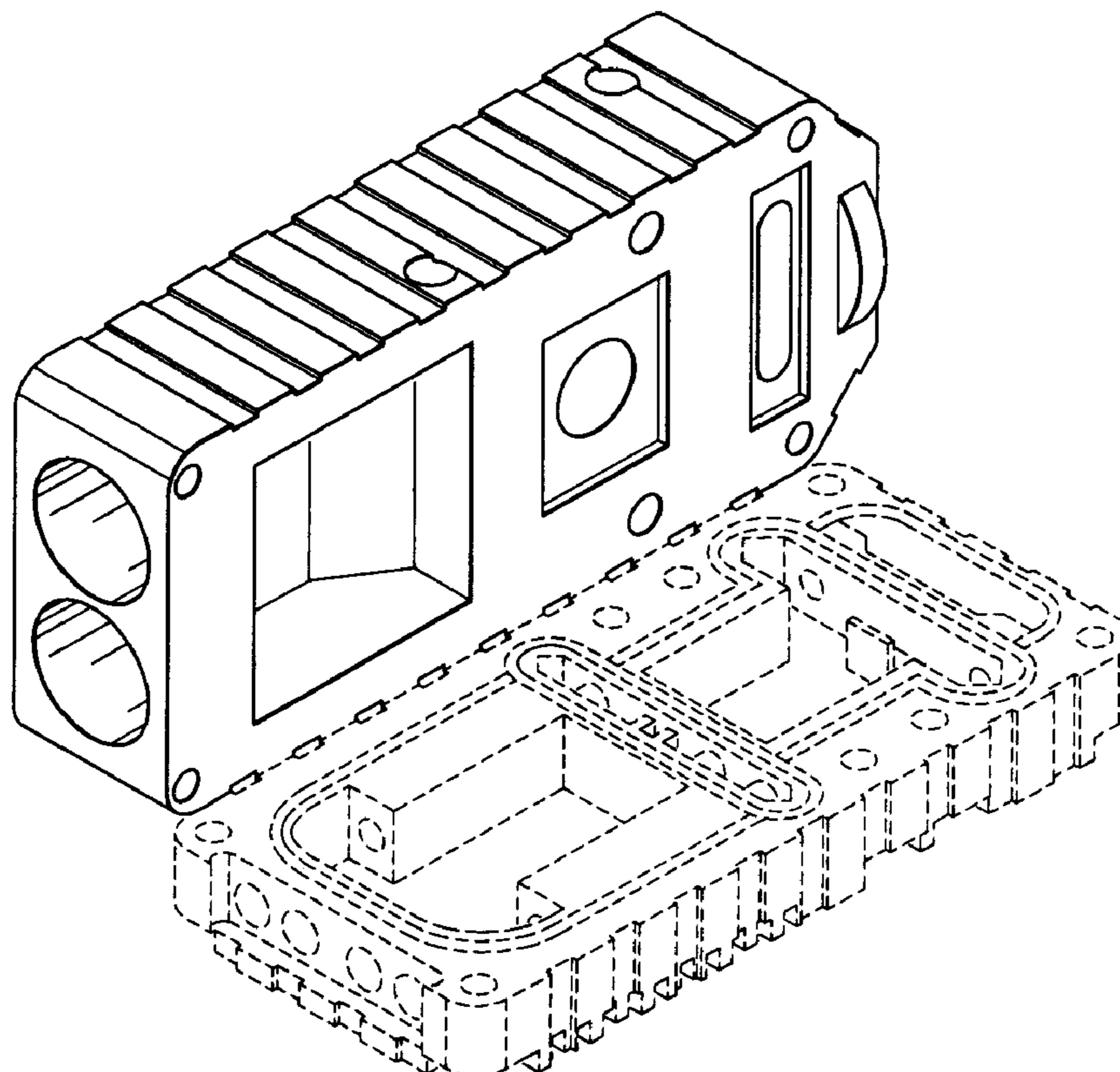
FIG. 6 is a top plan view thereof;

FIG. 7 is a bottom plan view thereof; and,

FIG. 8 is a perspective view of the inventive ejector cover for vacuum pump, shown in an alternate condition of use with an ejector for vacuum pump.

The ejector cover for vacuum pump portion shown in broken lines is for illustrative purposes only and forms no part of the claimed design.

1 Claim, 5 Drawing Sheets



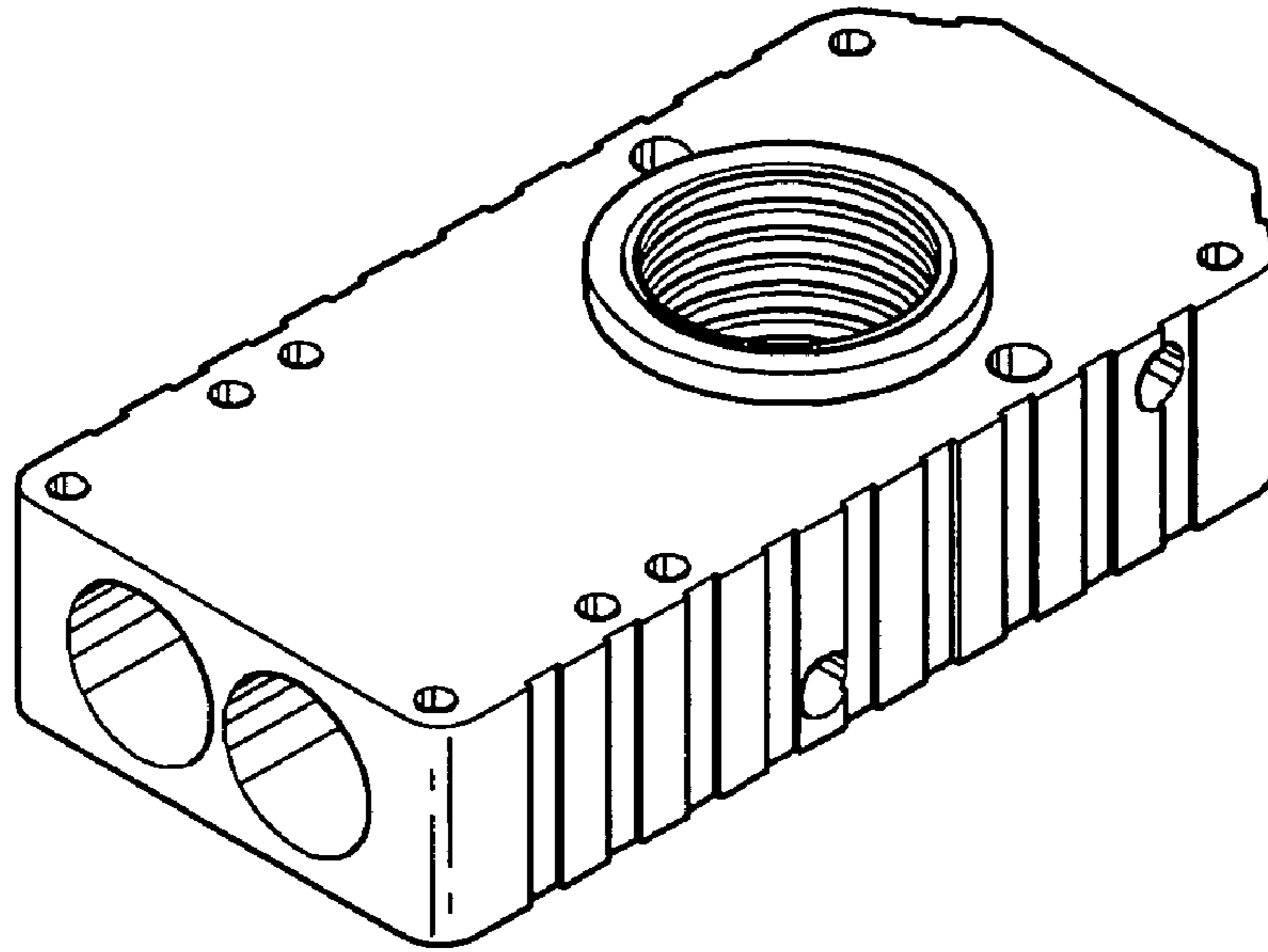


FIG. 1

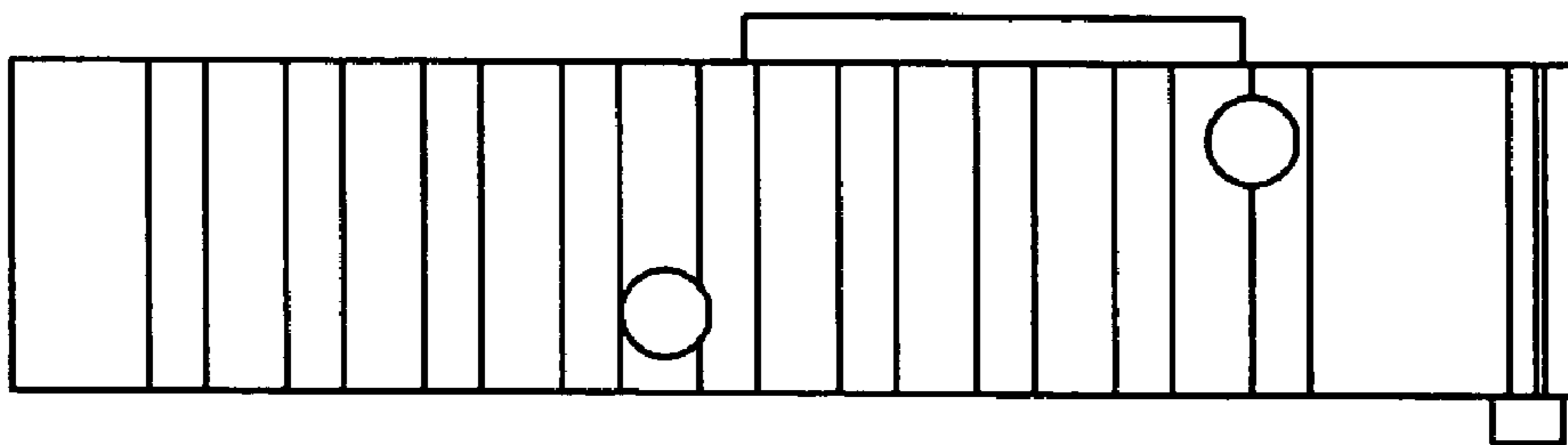


FIG. 2

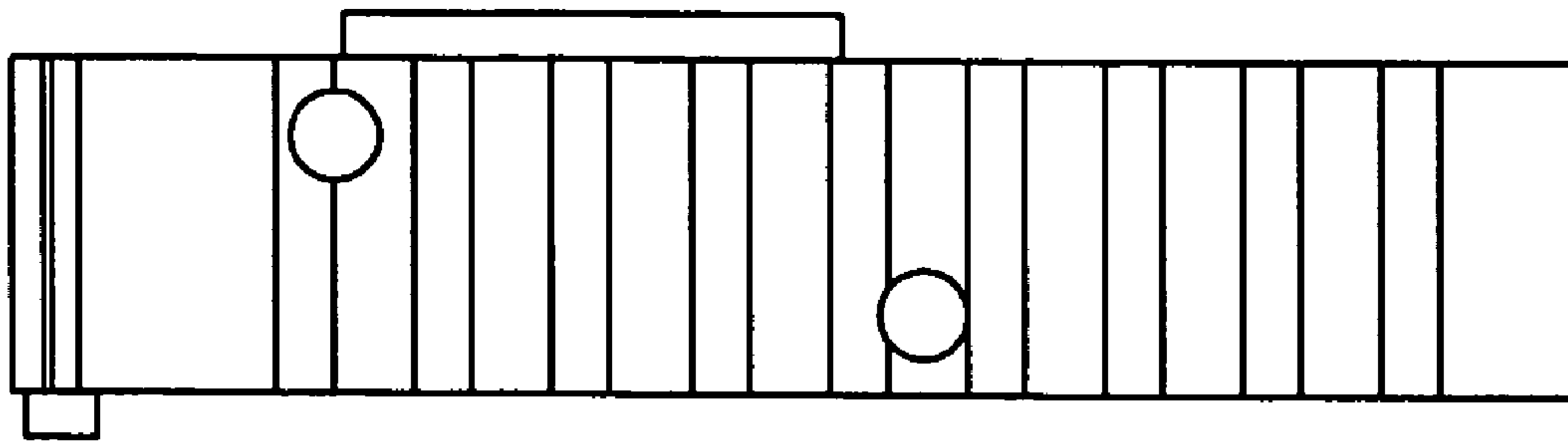


FIG. 3

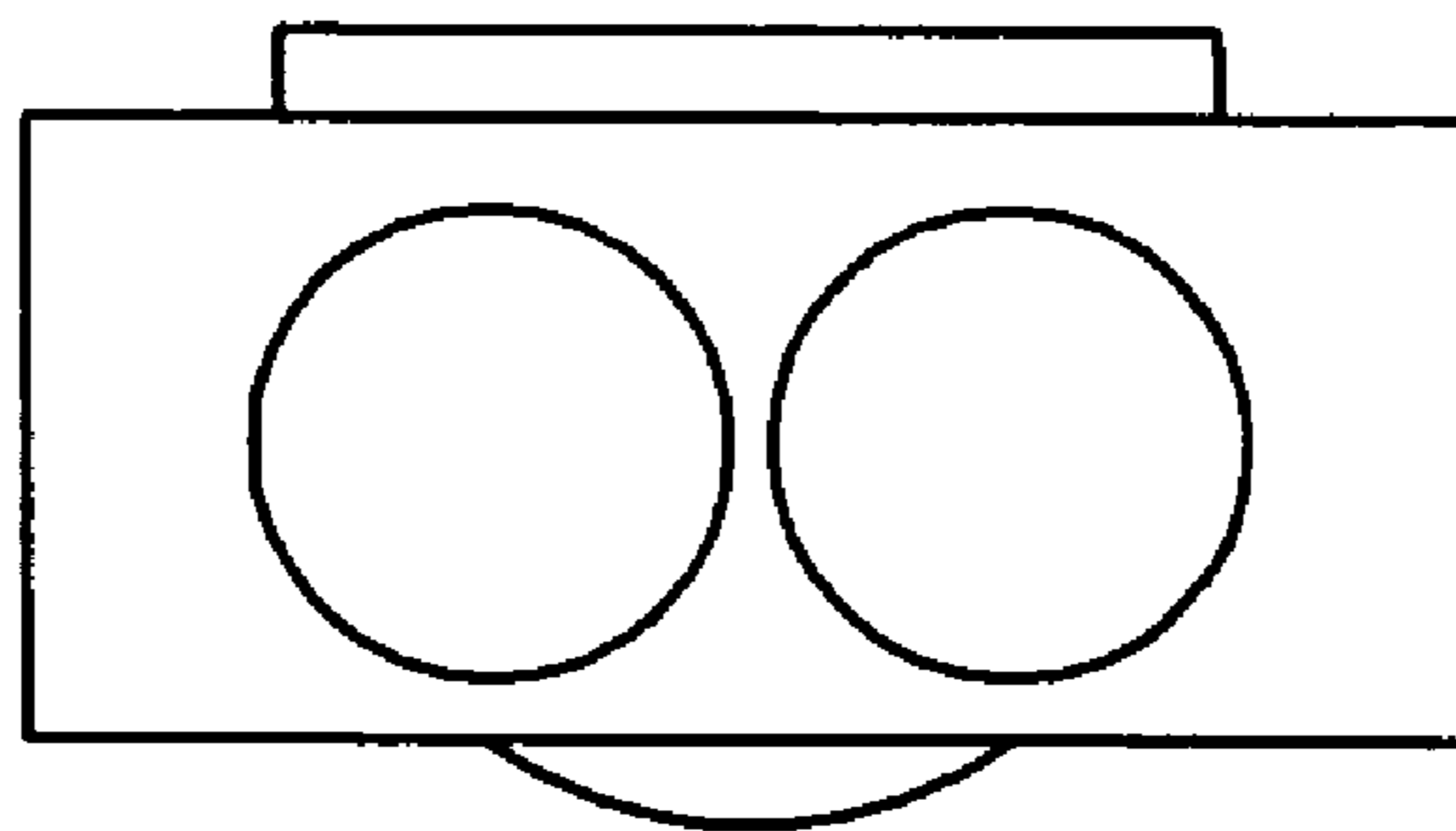


FIG. 4

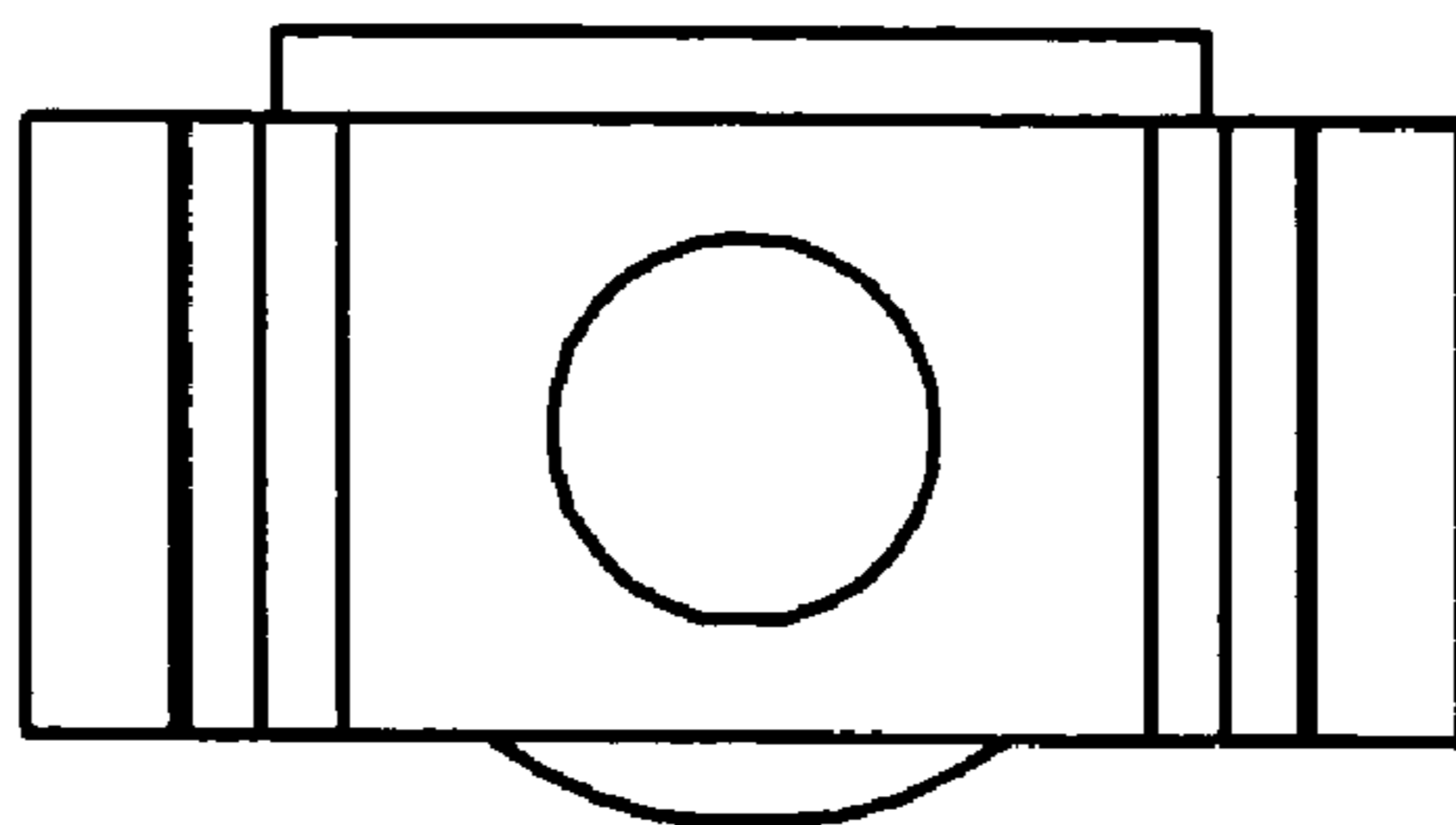


FIG. 5

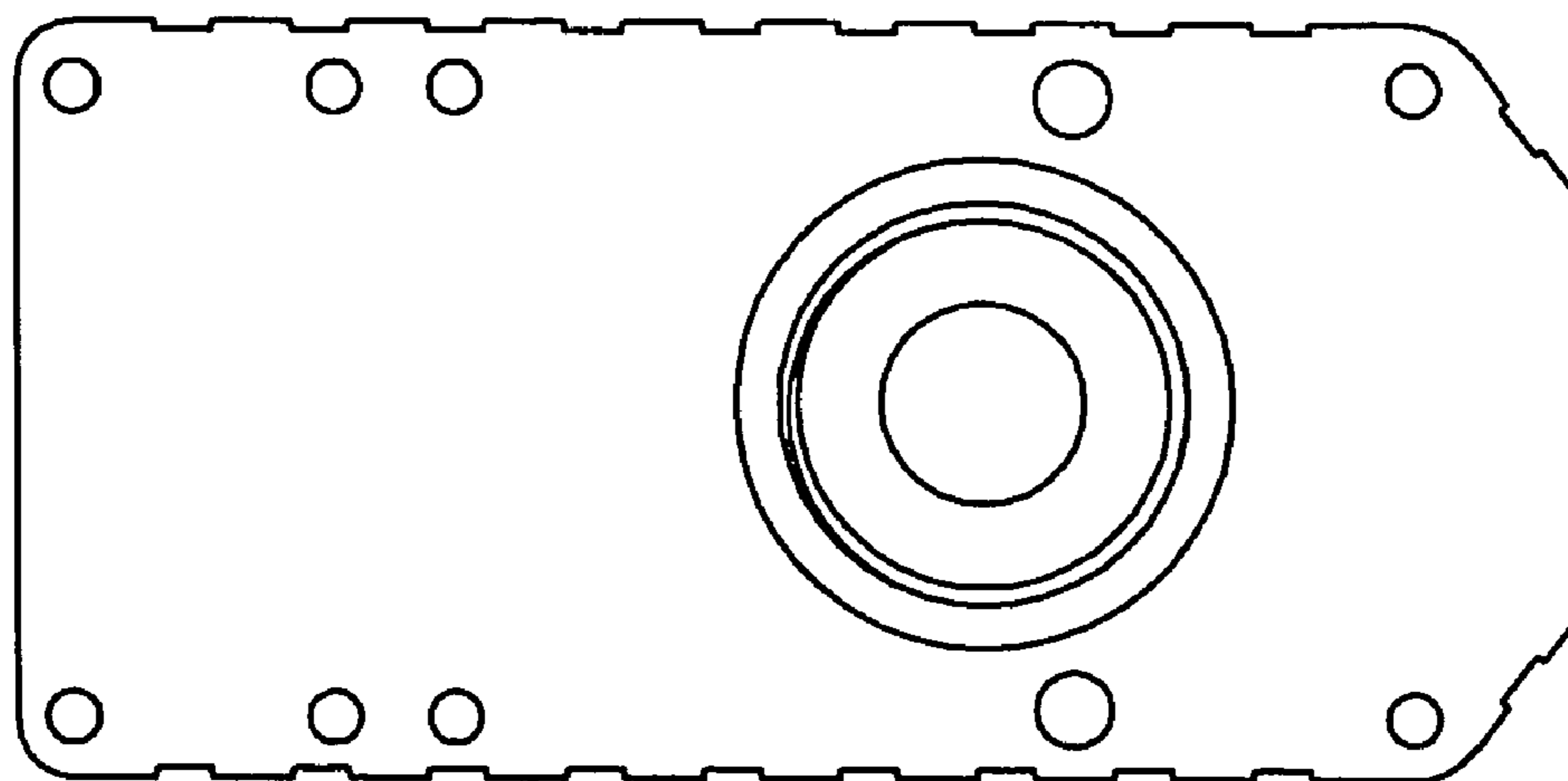


FIG. 6

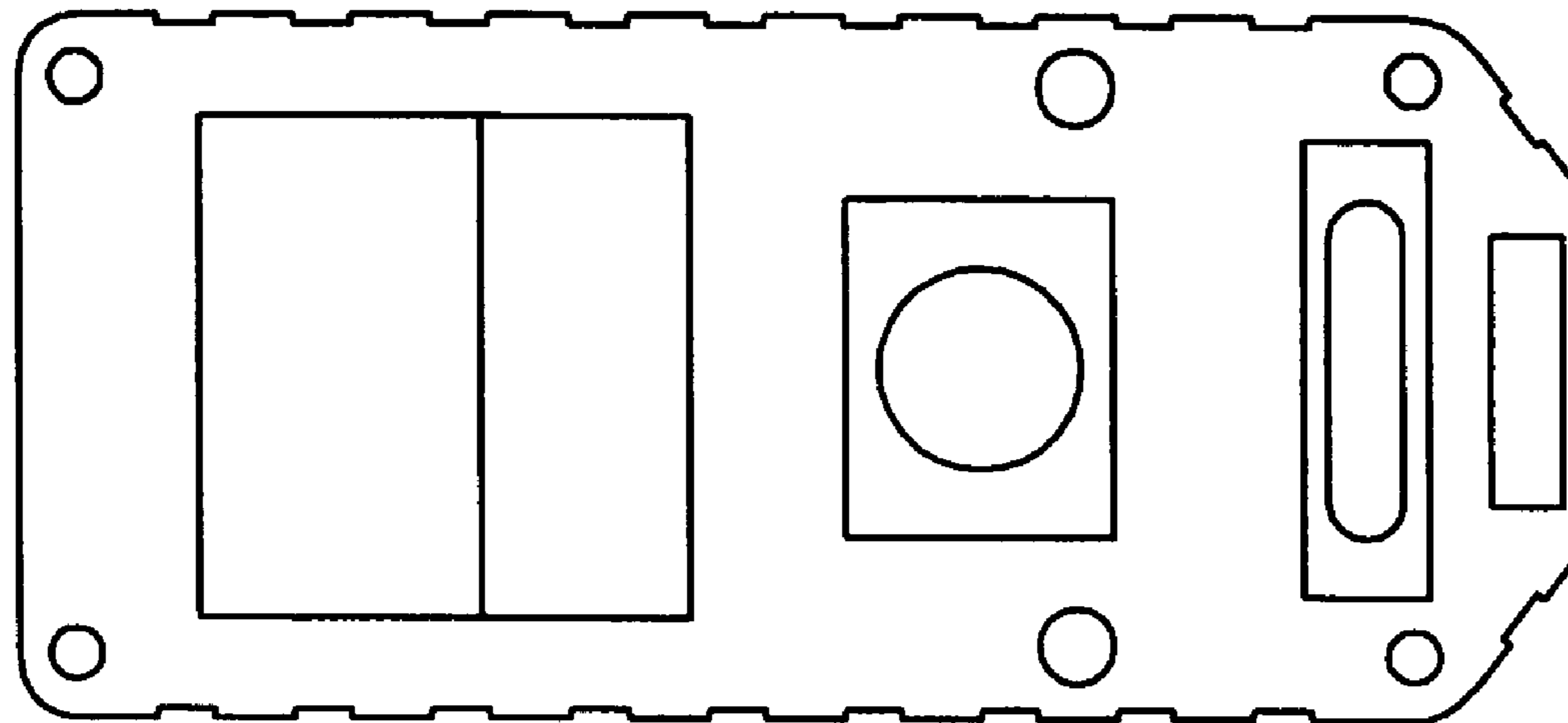


FIG. 7

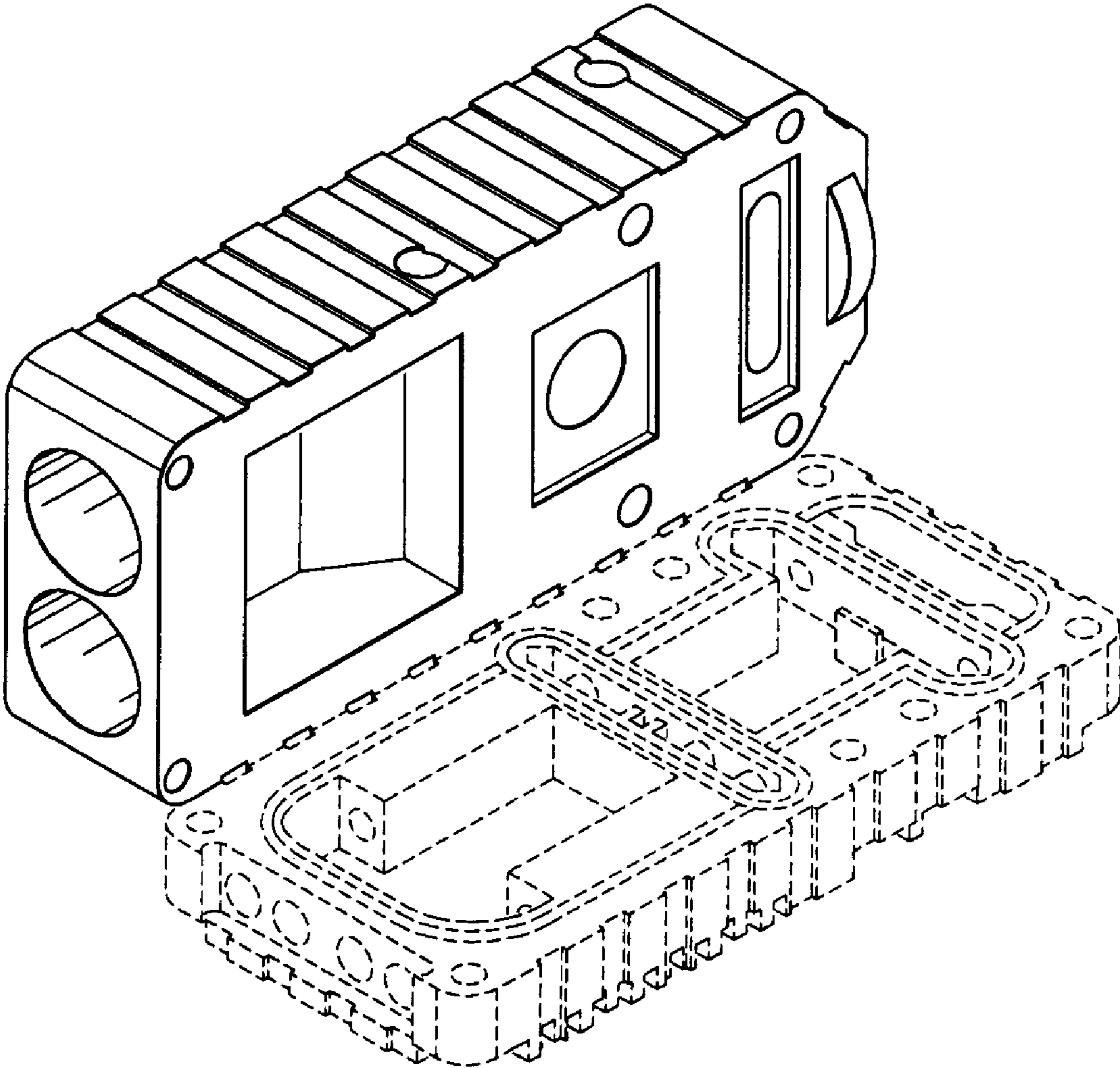


FIG. 8