



US00D552138S

(12) **United States Design Patent** (10) **Patent No.:** **US D552,138 S**  
**Kondo et al.** (45) **Date of Patent:** **\*\* Oct. 2, 2007**

(54) **ARM TRANSFERRING SUBSTRATE TO BE PROCESSED**

(75) Inventors: **Masaki Kondo**, Nirasaki (JP);  
**Tomohiro Abe**, Nirasaki (JP)

(73) Assignee: **Tokyo Electron Limited**, Tokyo (JP)

(\*\*) Term: **14 Years**

(21) Appl. No.: **29/245,738**

(22) Filed: **Dec. 29, 2005**

(30) **Foreign Application Priority Data**

Jun. 29, 2005 (JP) ..... 2005-018889

(51) **LOC (8) Cl.** ..... **15-99**

(52) **U.S. Cl.** ..... **D15/199**

(58) **Field of Classification Search** ..... D15/199;  
15/250.21; 74/490.01; 414/217, 744.3,  
414/744.5, 805, 939

See application file for complete search history.

(56) **References Cited**

**U.S. PATENT DOCUMENTS**

- 6,655,901 B2 \* 12/2003 Tsubota et al. .... 414/744.5
- 6,737,826 B2 \* 5/2004 Gilchrist ..... 74/490.01
- 7,018,162 B2 \* 3/2006 Kondoh ..... 414/744.5
- 2001/0033788 A1 \* 10/2001 Pietrantonio ..... 414/744.5

- 2002/0114690 A1 \* 8/2002 Ishigame ..... 414/744.5
- 2003/0190224 A1 \* 10/2003 Saeki ..... 414/744.5
- 2005/0217053 A1 \* 10/2005 Kim et al. .... 414/744.5
- 2005/0220576 A1 \* 10/2005 Kim et al. .... 414/217
- 2006/0210387 A1 \* 9/2006 Saeki et al. .... 414/744.5

\* cited by examiner

*Primary Examiner*—Antoine D. Davis

*Assistant Examiner*—Patricia Palasik

(74) *Attorney, Agent, or Firm*—Oblon, Spivak, McClelland,  
Maier & Neustadt, P.C.

(57) **CLAIM**

The ornamental design for an arm transferring substrate to be processed, as shown and described.

**DESCRIPTION**

FIG. 1 is a front elevational view of an arm transferring substrate to be processed, showing our new design;

FIG. 2 bottom plan view thereof;

FIG. 3 is right side elevational view thereof;

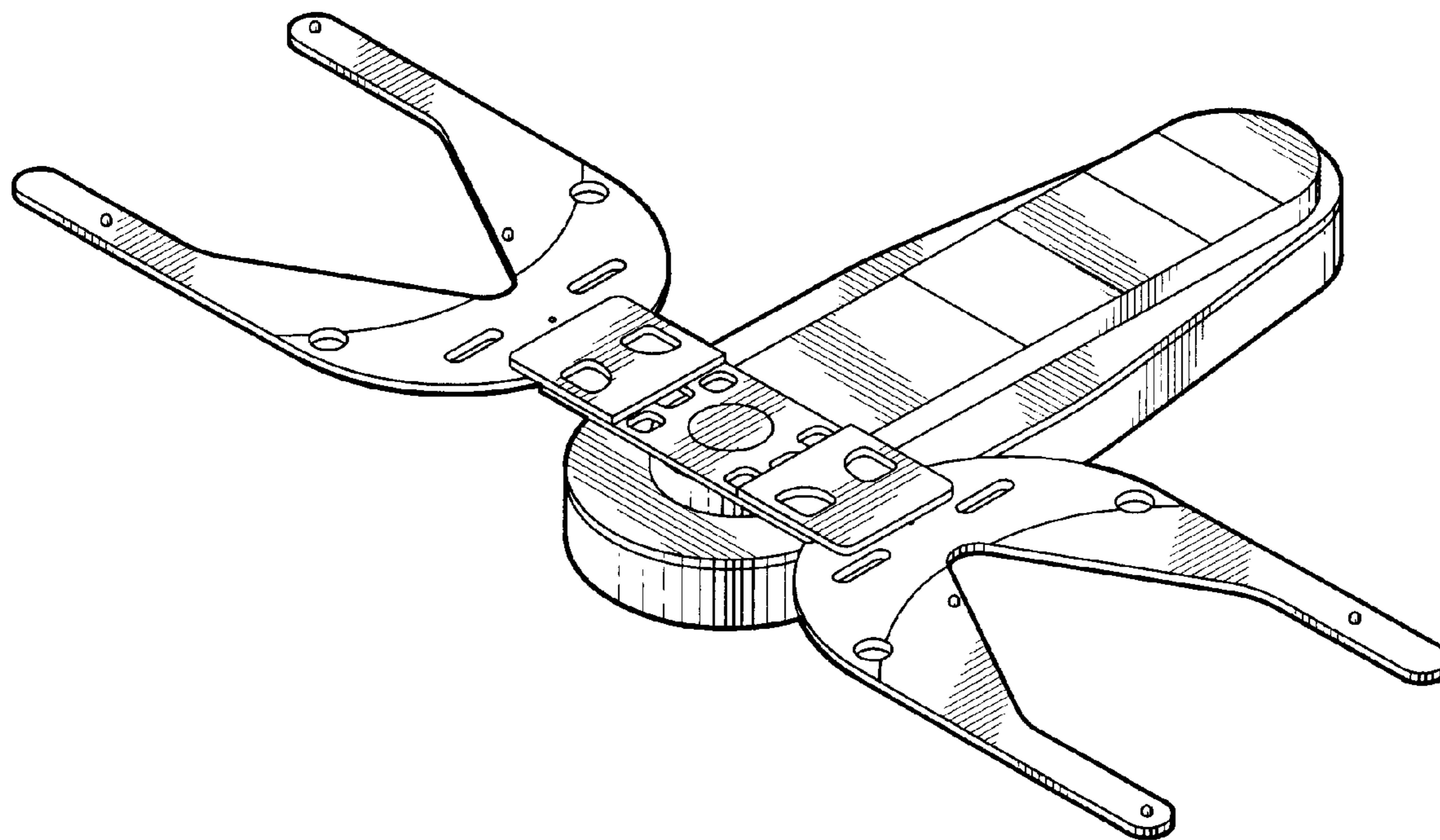
FIG. 4 is a left side elevational view thereof;

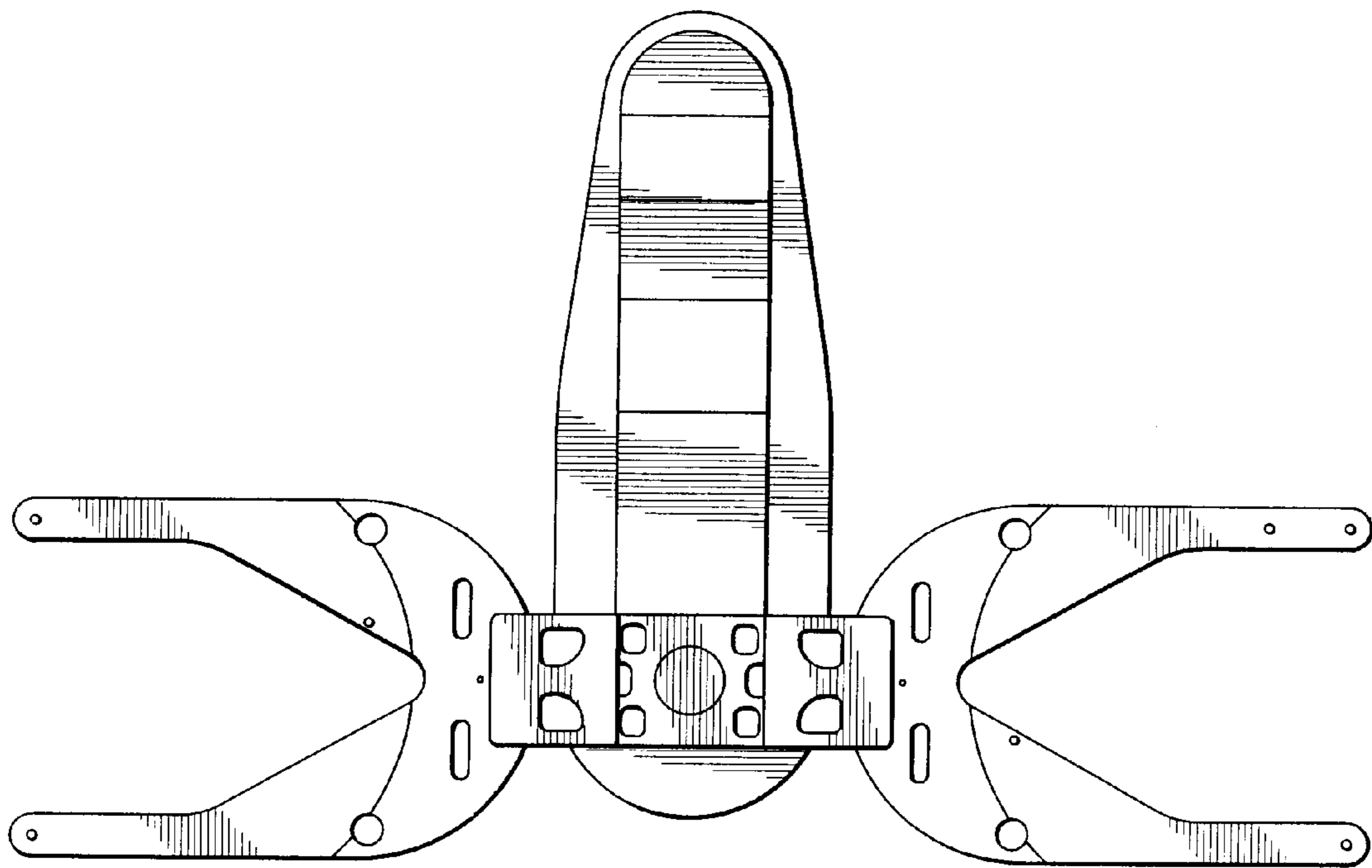
FIG. 5 is a top plan view thereof;

FIG. 6 is a rear elevational view thereof; and,

FIG. 7 is a bottom and right front perspective view thereof.

**1 Claim, 7 Drawing Sheets**

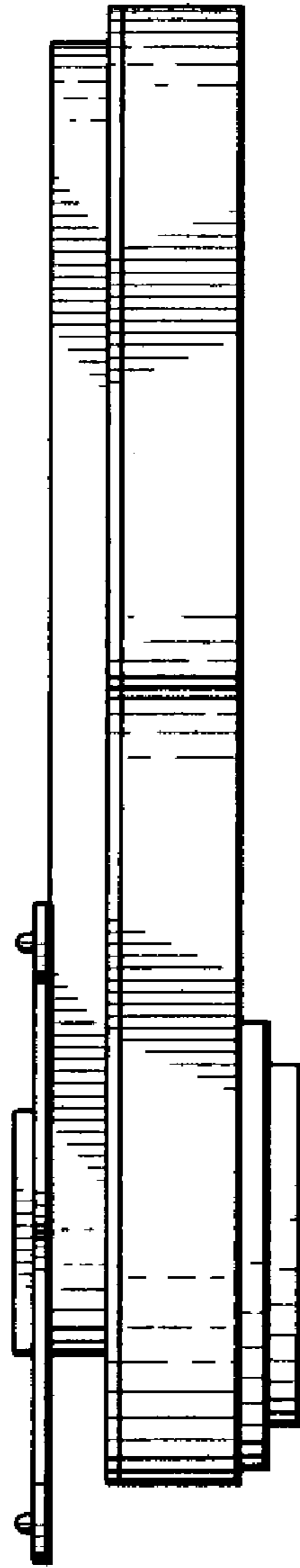




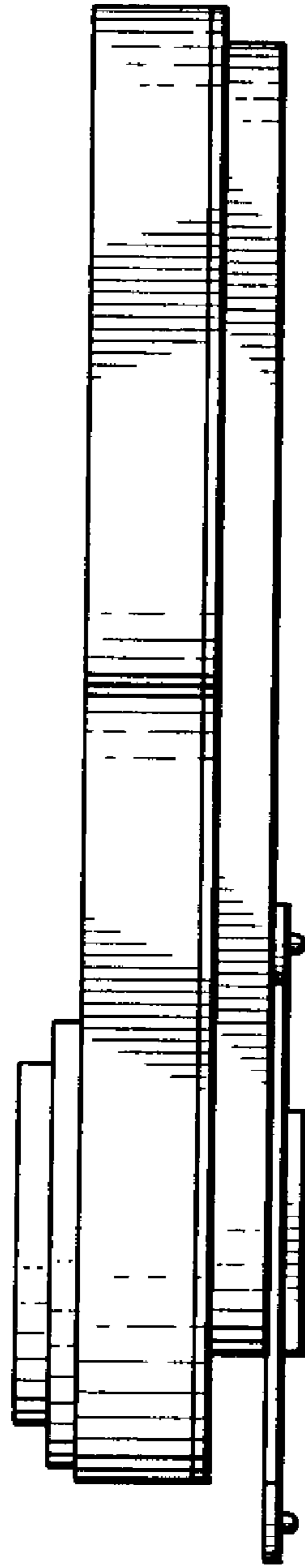
*Fig. 1*



*Fig. 2*



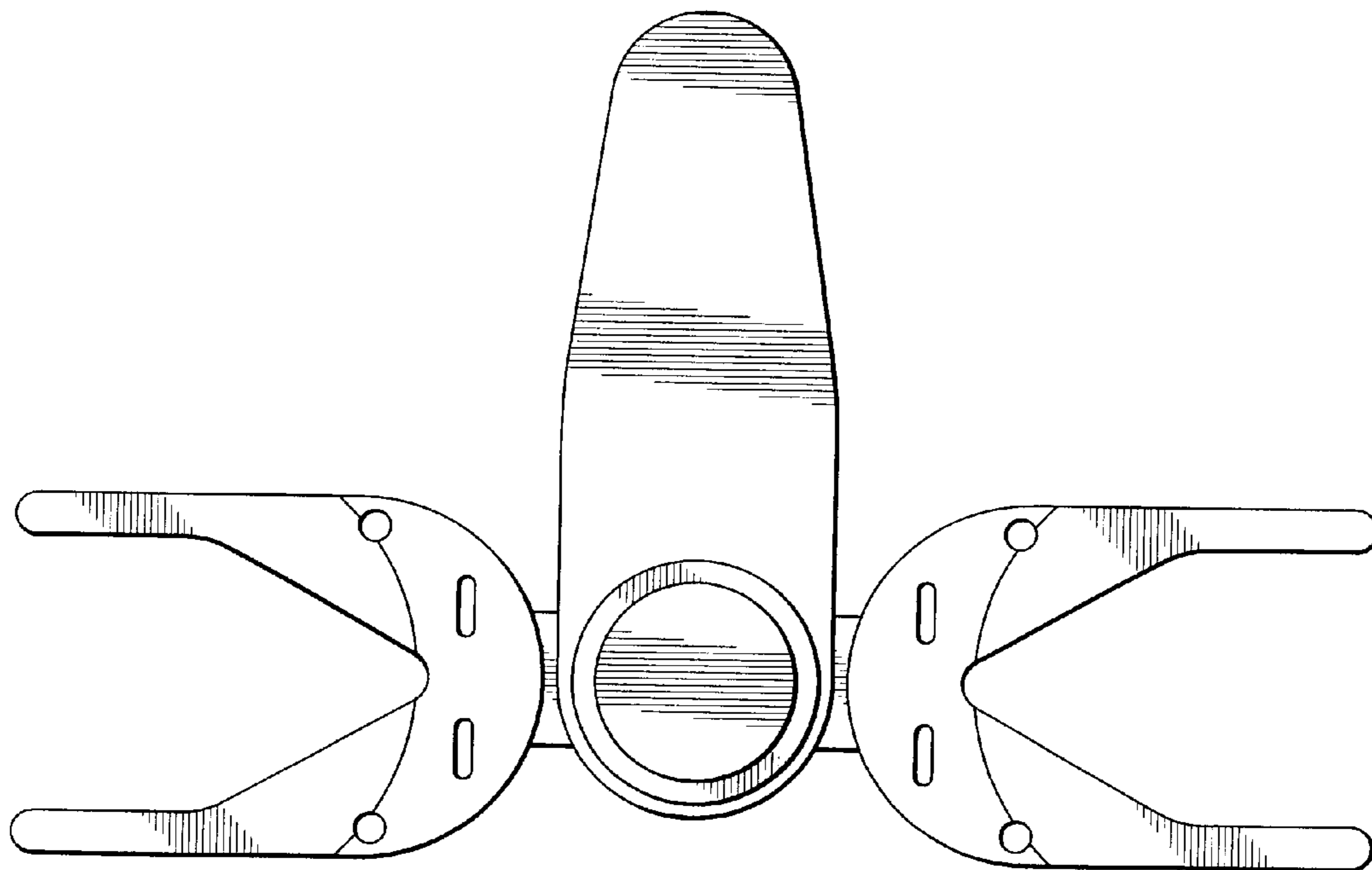
*Fig. 3*



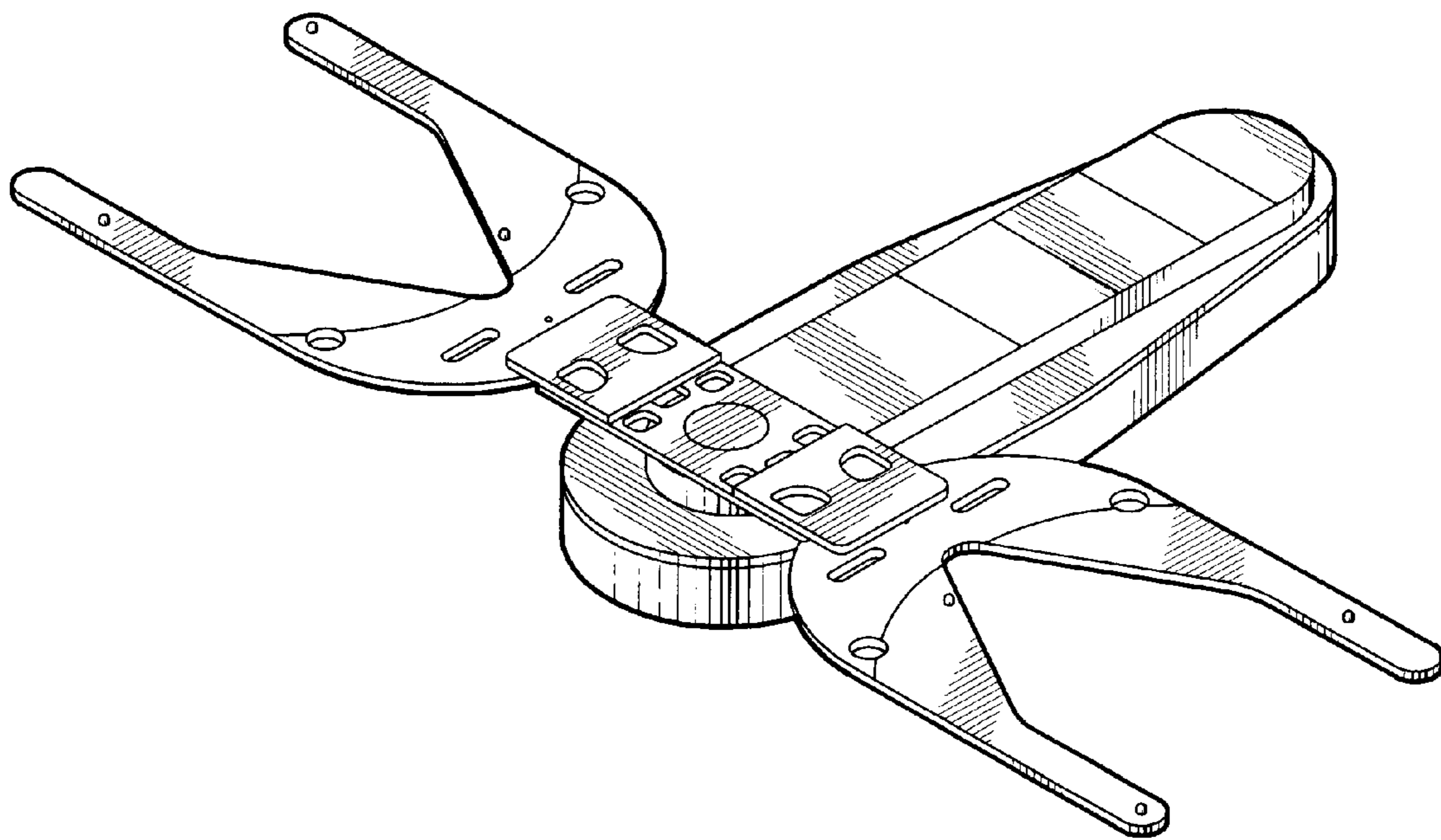
*Fig. 4*



*Fig. 5*



*Fig. 6*



*Fig. 7*