

US00D552135S

(12) **United States Design Patent** (10) **Patent No.:** **US D552,135 S**  
**Olsen et al.** (45) **Date of Patent:** **\*\* \*Oct. 2, 2007**

(54) **GRINDING TOOL**

(75) Inventors: **Lars Olsen**, Kalmar (SE); **Karl Thysell**, Soderkoping (SE)

(73) Assignee: **HTC Sweden AB** (SE)

(\*) Notice: This patent is subject to a terminal disclaimer.

(\*\*) Term: **14 Years**

(21) Appl. No.: **29/209,464**

(22) Filed: **Jul. 16, 2004**

(30) **Foreign Application Priority Data**

Jun. 30, 2004 (EM) ..... 000197694

(51) **LOC (8) Cl.** ..... **15-09**

(52) **U.S. Cl.** ..... **D15/139**

(58) **Field of Classification Search** ..... D15/126;  
D8/138-139; 83/589, 663, 676; 404/118,  
404/129; 144/24.1, 218, 219, 235, 241; 409/33,  
409/37, 49; 451/540-558

See application file for complete search history.

(56) **References Cited**

**U.S. PATENT DOCUMENTS**

D486,839 S 2/2004 Sunagawa et al.  
D494,196 S 8/2004 Jeong  
D498,486 S 11/2004 Eisenblaetter

D506,481 S \* 6/2005 Olsen et al. .... D15/126  
D507,801 S \* 7/2005 Olsen et al. .... D15/126  
D508,927 S \* 8/2005 Olsen et al. .... D15/126

\* cited by examiner

*Primary Examiner*—Antoine D. Davis

*Assistant Examiner*—Patricia Palasik

(74) *Attorney, Agent, or Firm*—Moore & Van Allen PLLC;  
Michael G. Johnston

(57) **CLAIM**

The ornamental design for a grinding tool, as shown and described.

**DESCRIPTION**

FIG. 1 is a perspective view of a grinding tool showing our new design.

FIG. 2 is a top plan view of the grinding tool shown in FIG. 1 showing our new design.

FIG. 3 is a bottom plan view of the grinding tool shown in FIG. 1 showing our new design.

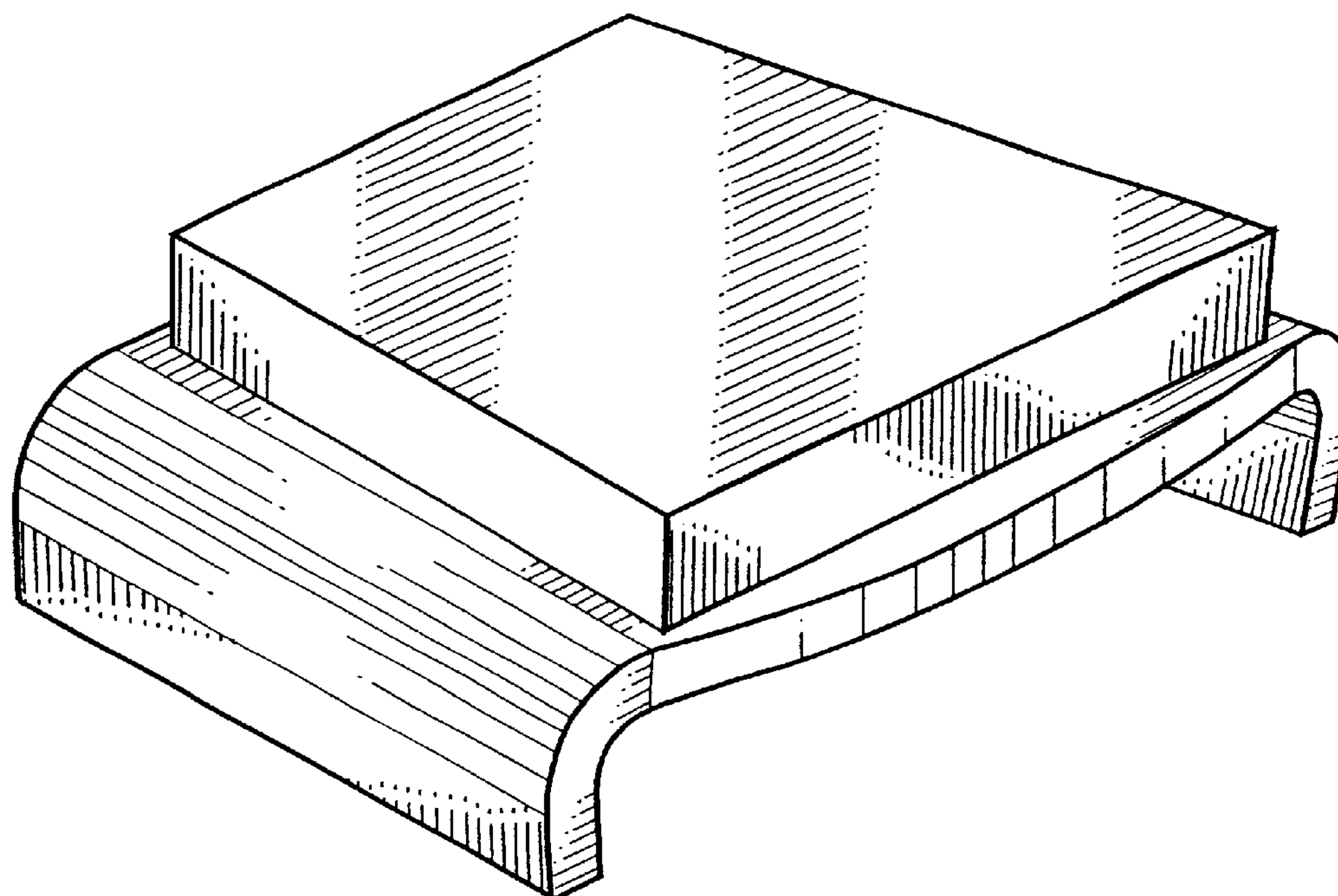
FIG. 4 is a front elevation view of the grinding tool shown in FIG. 1 showing our new design.

FIG. 5 is a rear elevation view of the grinding tool shown in FIG. 1 showing our new design.

FIG. 6 is a right side view of the grinding tool shown in FIG. 1 showing our new design; and,

FIG. 7 is a left side view of the grinding tool shown in FIG. 1 showing our new design.

**1 Claim, 4 Drawing Sheets**



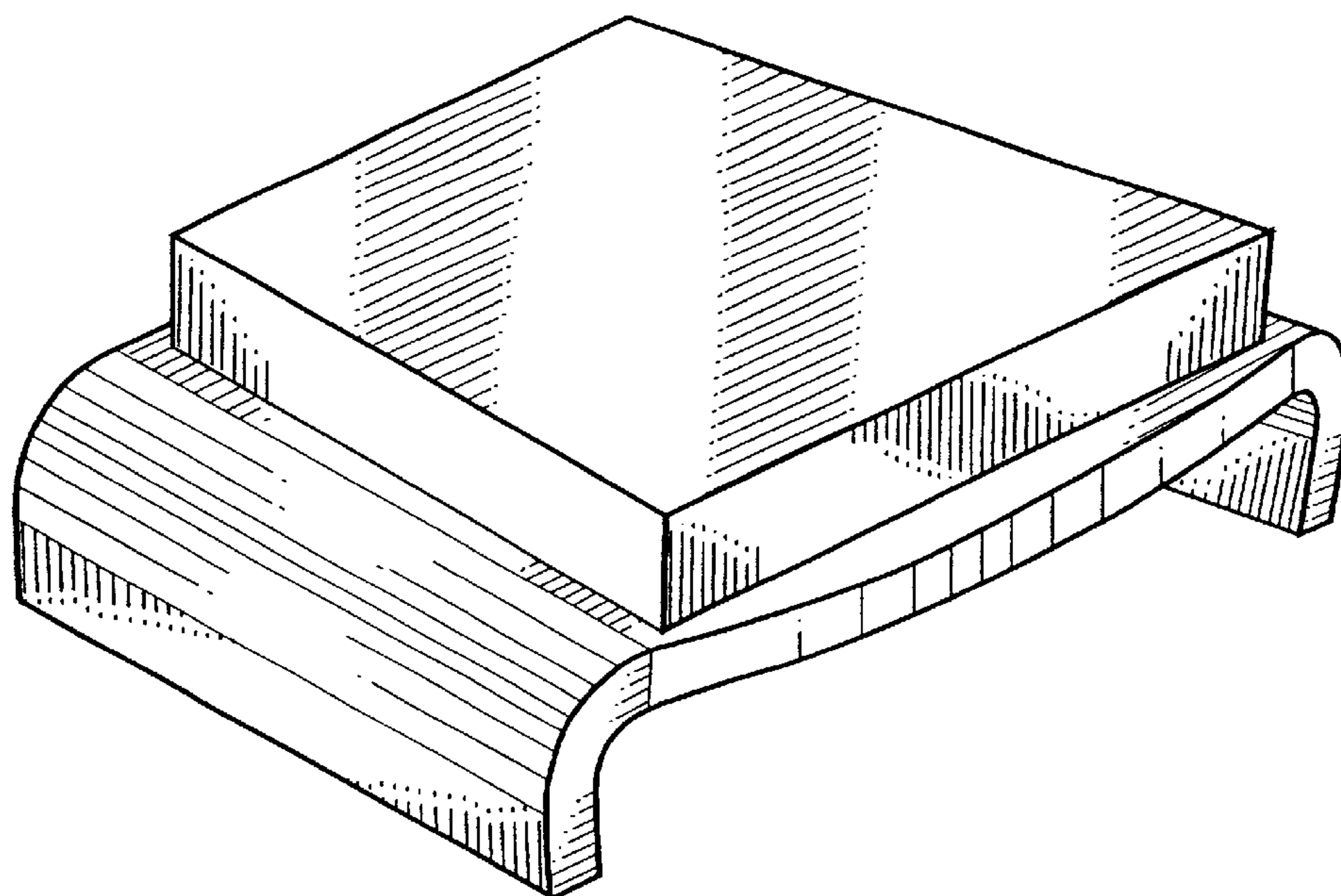


FIG. 1

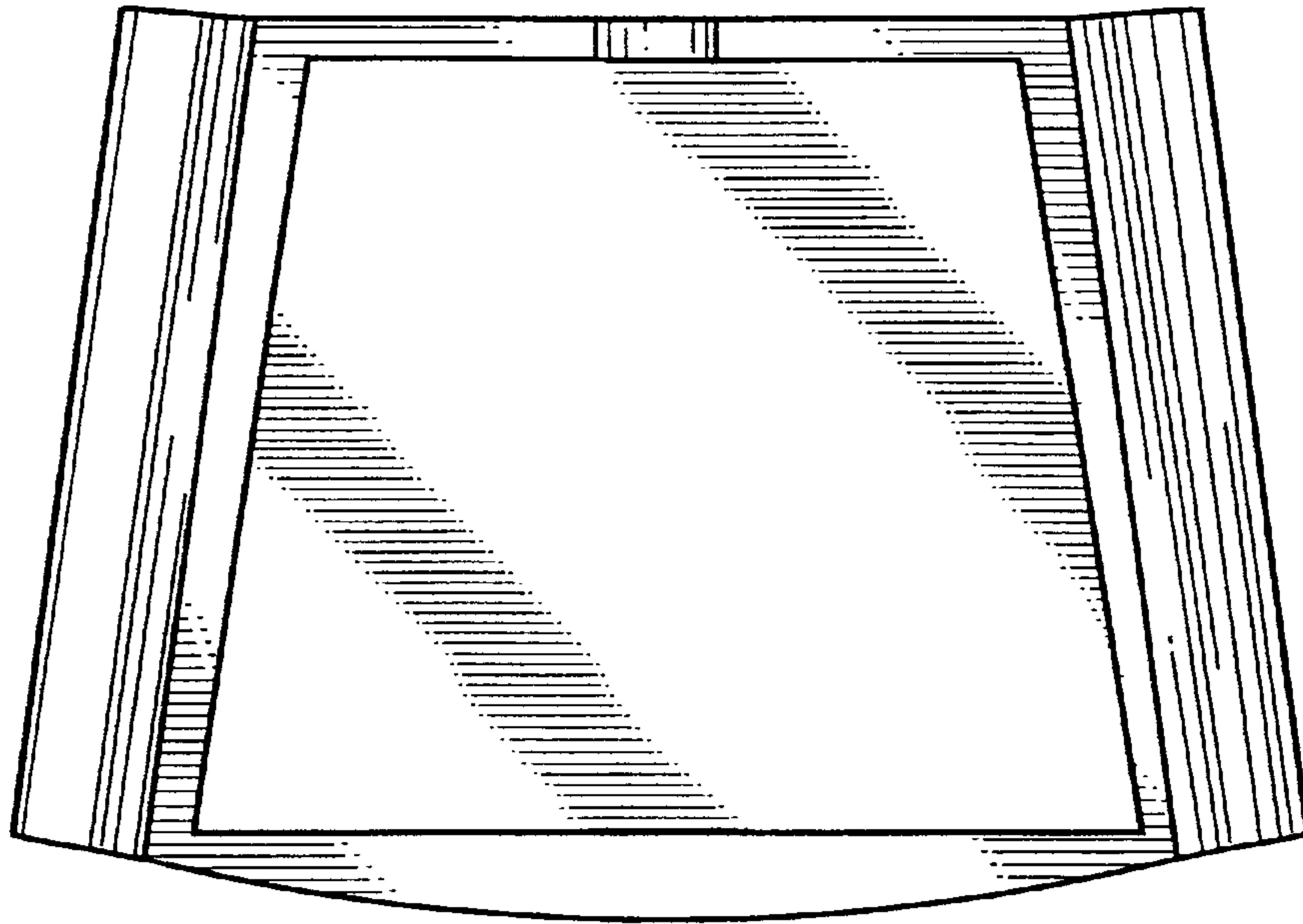


FIG. 2

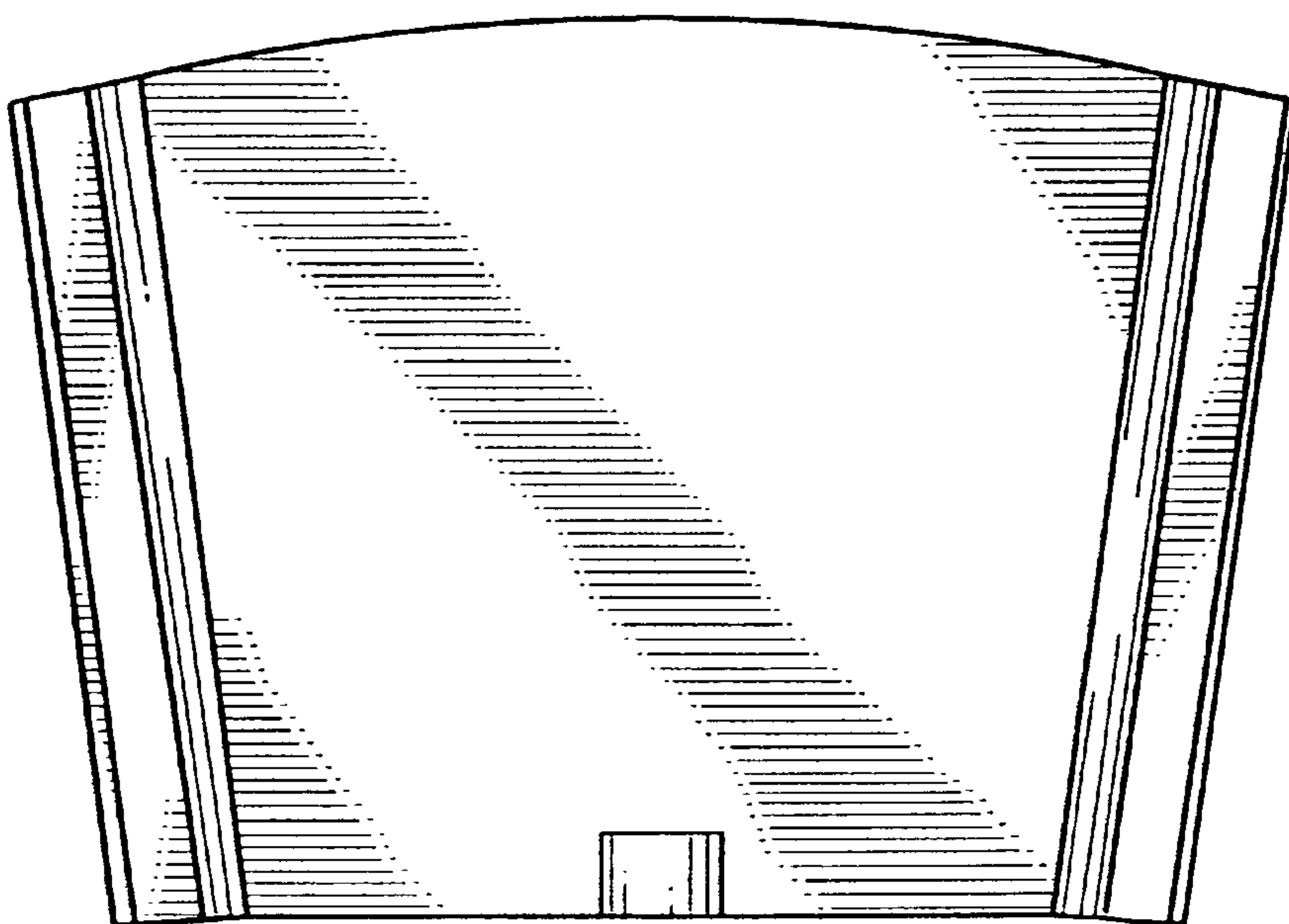


FIG. 3

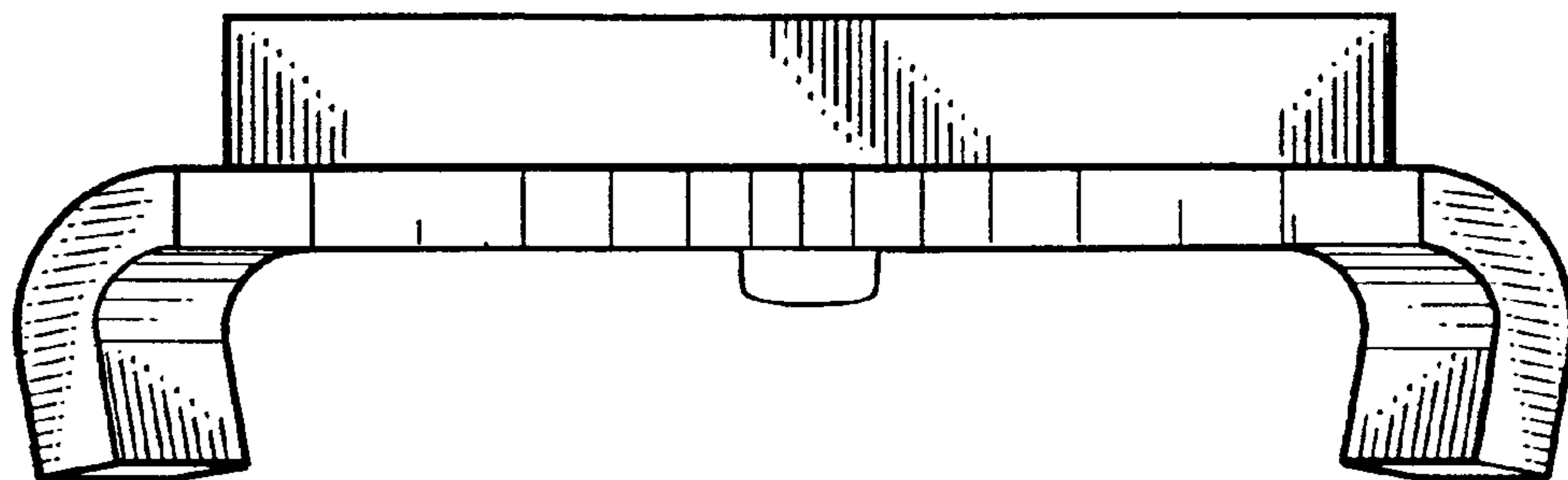


FIG. 4

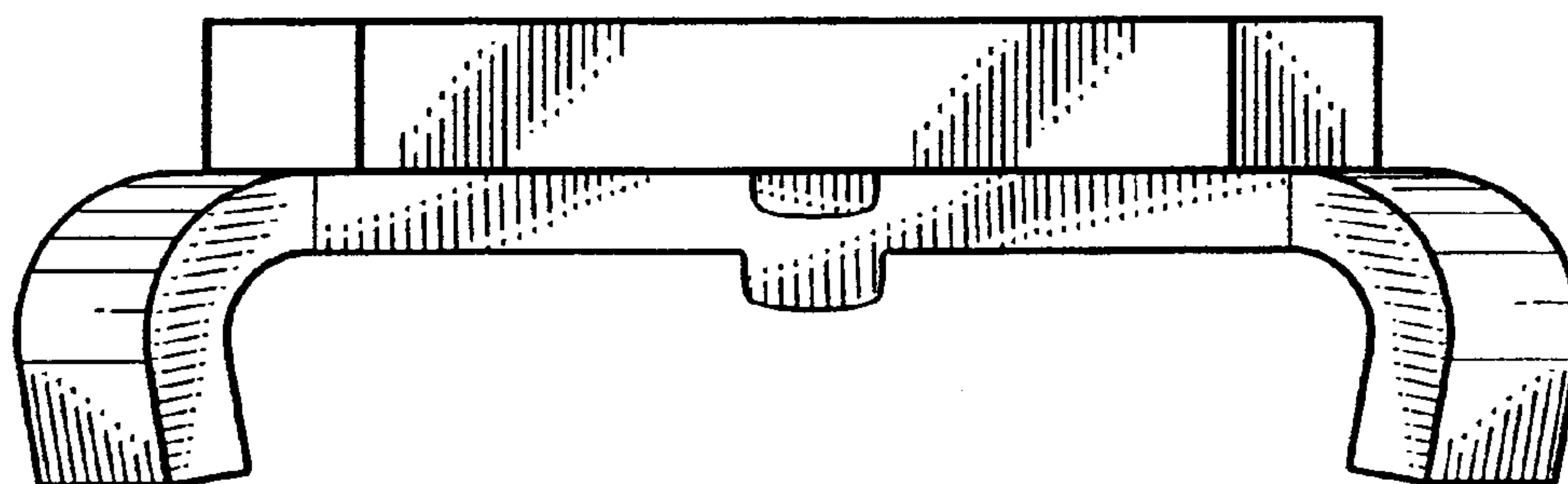


FIG. 5

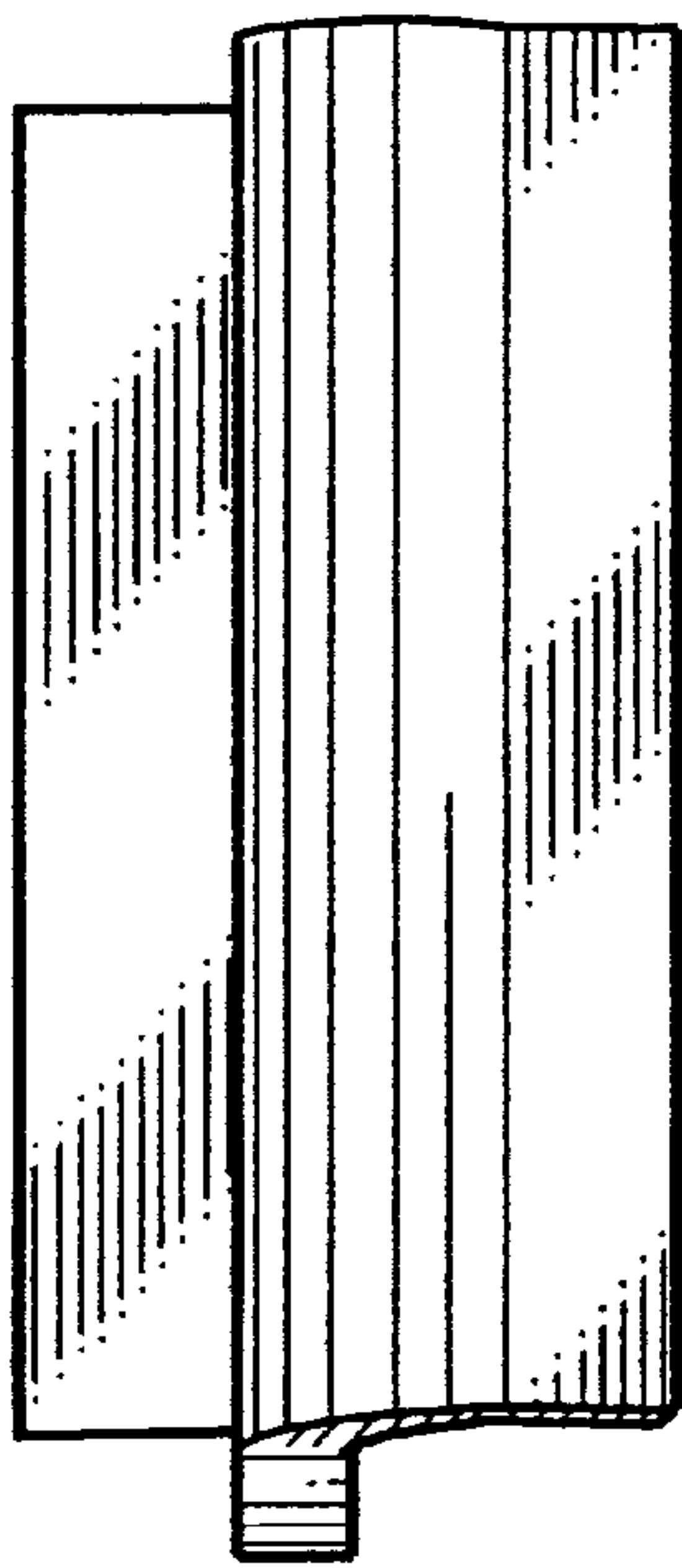


FIG. 6

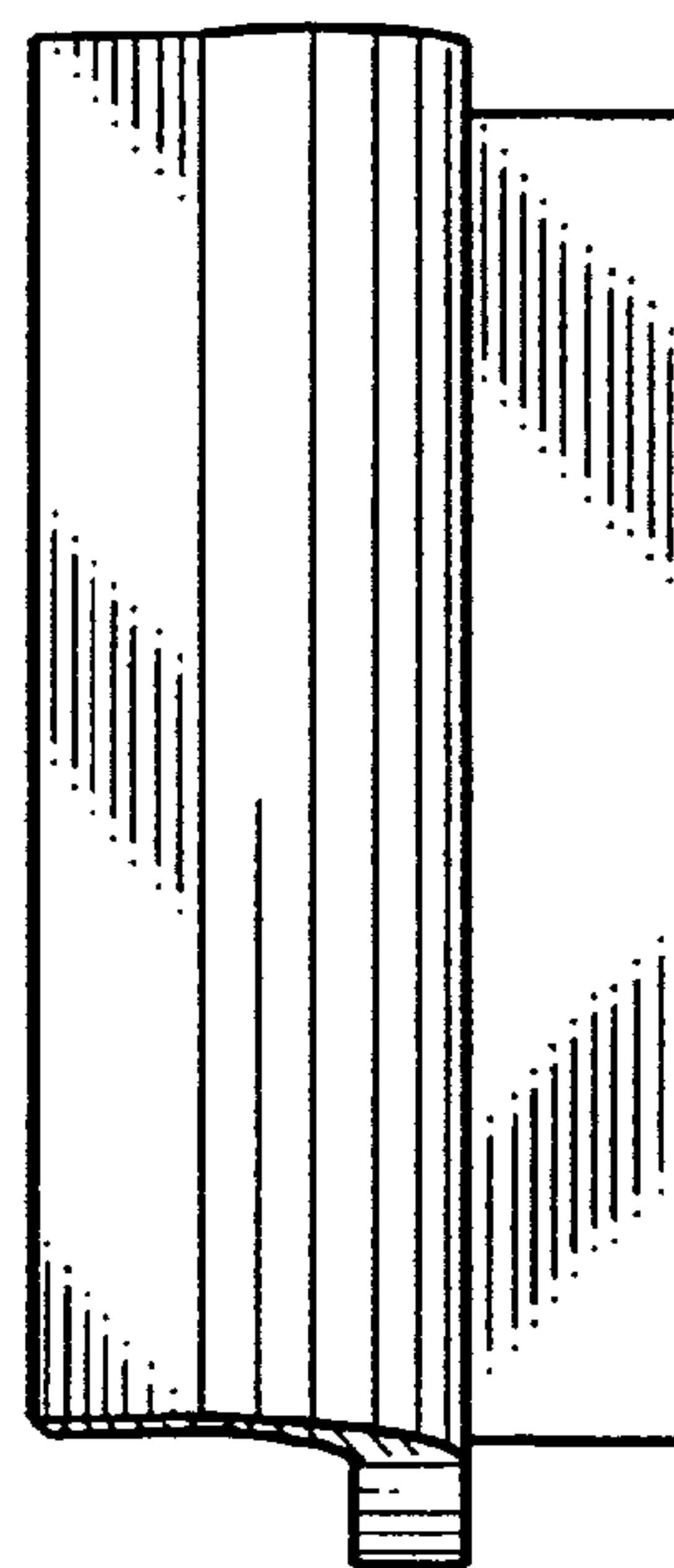


FIG. 7