



US00D552134S

(12) **United States Design Patent**
Nakano

(10) **Patent No.:** **US D552,134 S**
(45) **Date of Patent:** **** Oct. 2, 2007**

(54) **ROLL MILL**

D520,536 S * 5/2006 Tokui et al. D15/131

(75) Inventor: **Takuji Nakano**, Tokyo (JP)

FOREIGN PATENT DOCUMENTS

(73) Assignee: **Satake Corporation**, Tokyo (JP)

| | | |
|----|----------------|---------|
| CN | 97315525.6 | 1/1999 |
| CN | 200430004293.8 | 10/2004 |
| GB | 2065365 | 8/1997 |

(**) Term: **14 Years**

* cited by examiner

(21) Appl. No.: **29/240,873**

Primary Examiner—Antoine D. Davis

(22) Filed: **Oct. 20, 2005**

Assistant Examiner—Patricia Palasik

(30) **Foreign Application Priority Data**

(74) *Attorney, Agent, or Firm*—Jacobson Holman PLLC

Apr. 21, 2005 (JP) 2005-011794

(57) **CLAIM**

(51) **LOC (8) Cl.** **15-09**

The ornamental design for a roll mill, as shown and described.

(52) **U.S. Cl.** **D15/131**

(58) **Field of Classification Search** D15/123,
D15/131; 209/139.1; 241/29, 37, 65, 79.1,
241/80, 109, 117, 119, 121, 130, 159, 224,
241/227, 230, 232, 234, 235, 260
See application file for complete search history.

DESCRIPTION

FIG. 1 is a front and upper perspective view of a roll mill embodied in accordance with my design;

(56) **References Cited**

FIG. 2 is a front view thereof (a rear view is represented identically with the front view);

U.S. PATENT DOCUMENTS

FIG. 3 is a left side view thereof (a right side view is represented identically with the left side view);

| | | | | | |
|-----------|-----|---------|----------------------|-------|---------|
| 3,881,663 | A * | 5/1975 | Brown | | 241/227 |
| 5,100,068 | A * | 3/1992 | Pingel | | 241/121 |
| 5,368,239 | A * | 11/1994 | Baltensperger et al. | | 241/37 |
| D400,895 | S * | 11/1998 | Schrepfer | | D15/131 |
| D401,248 | S * | 11/1998 | Schrepfer | | D15/131 |

FIG. 4 is a top plan view thereof; and,

FIG. 5 is a bottom plan view thereof.

1 Claim, 4 Drawing Sheets

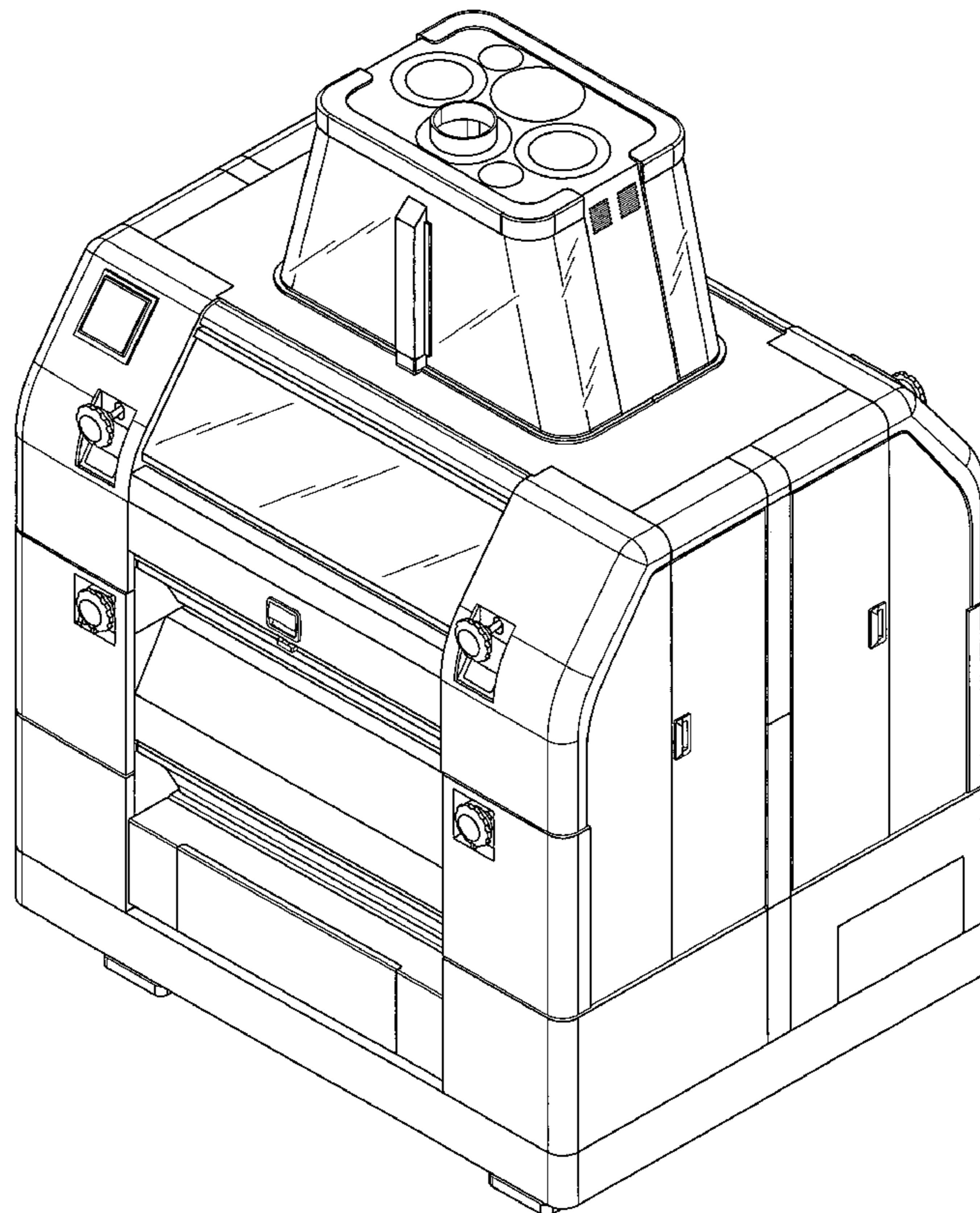


FIG. 1

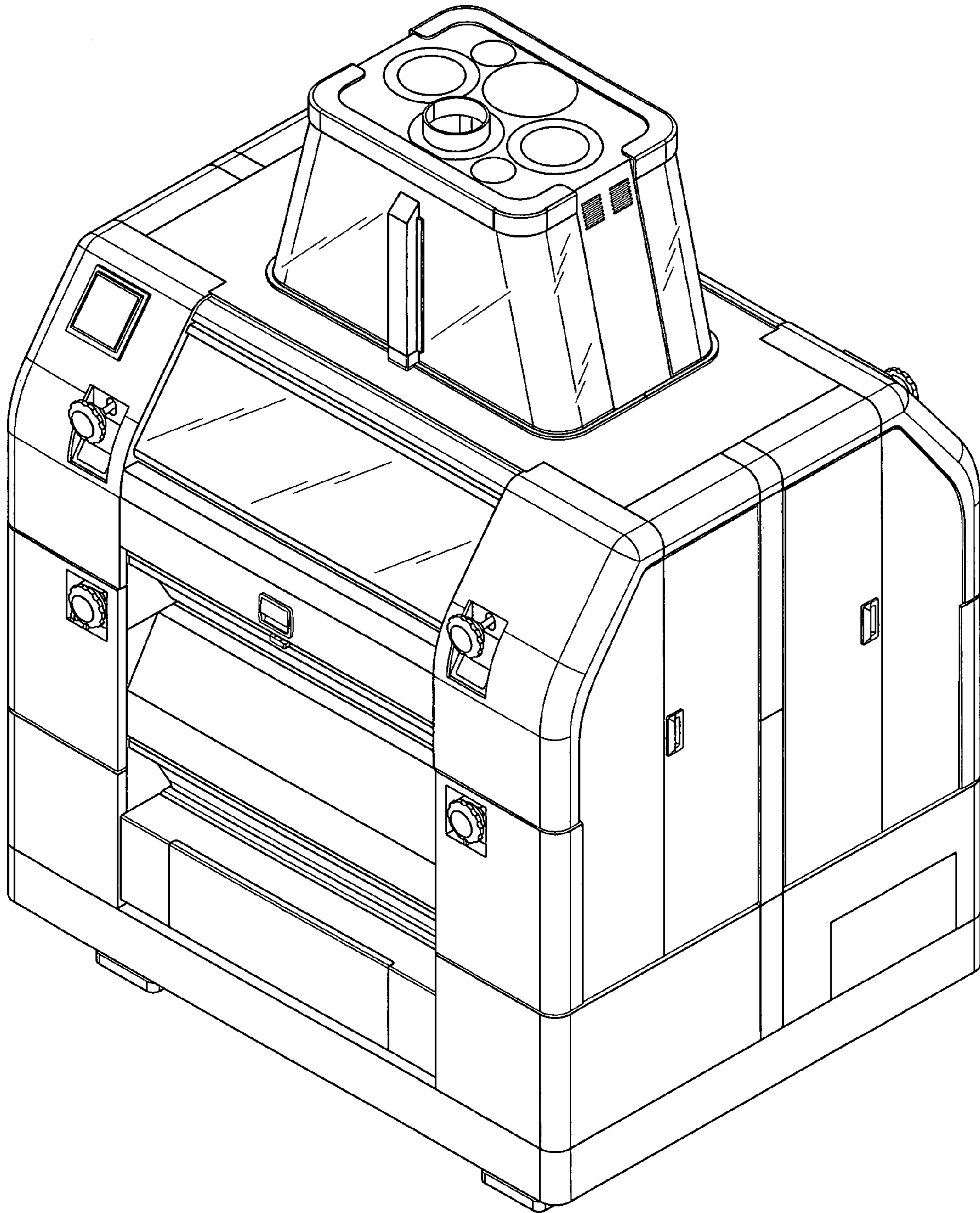


FIG. 2

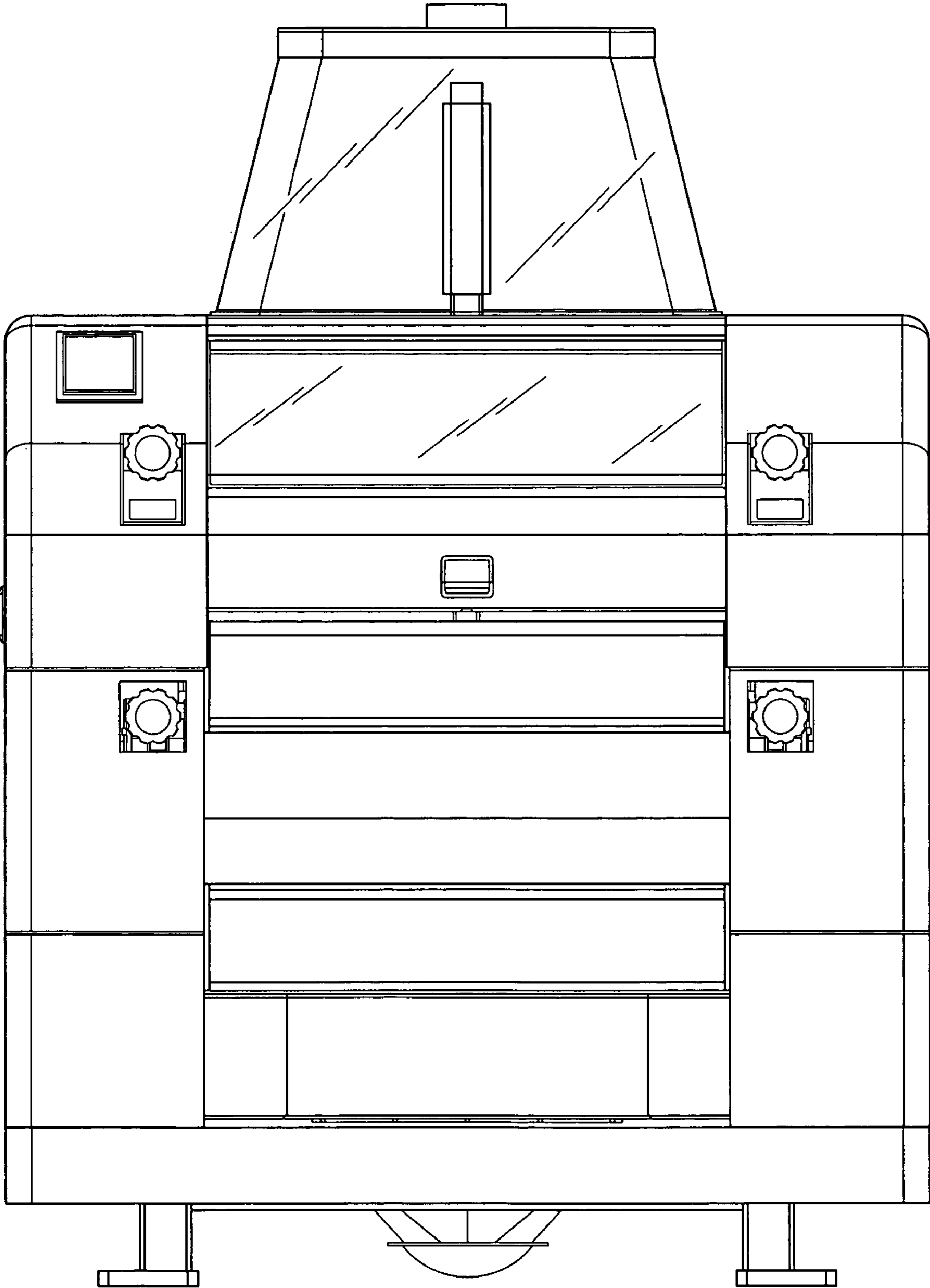


FIG. 3

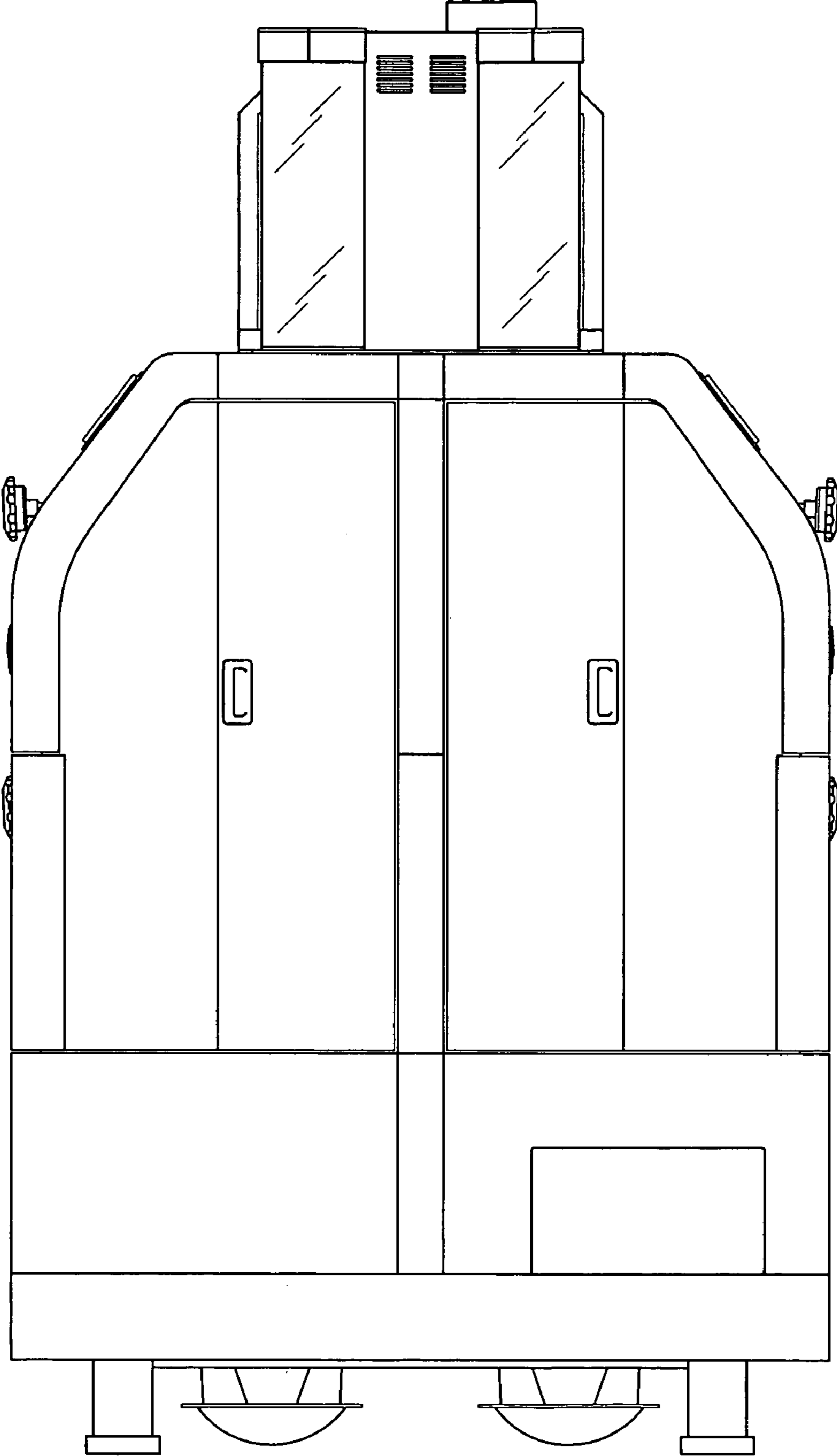


FIG. 4

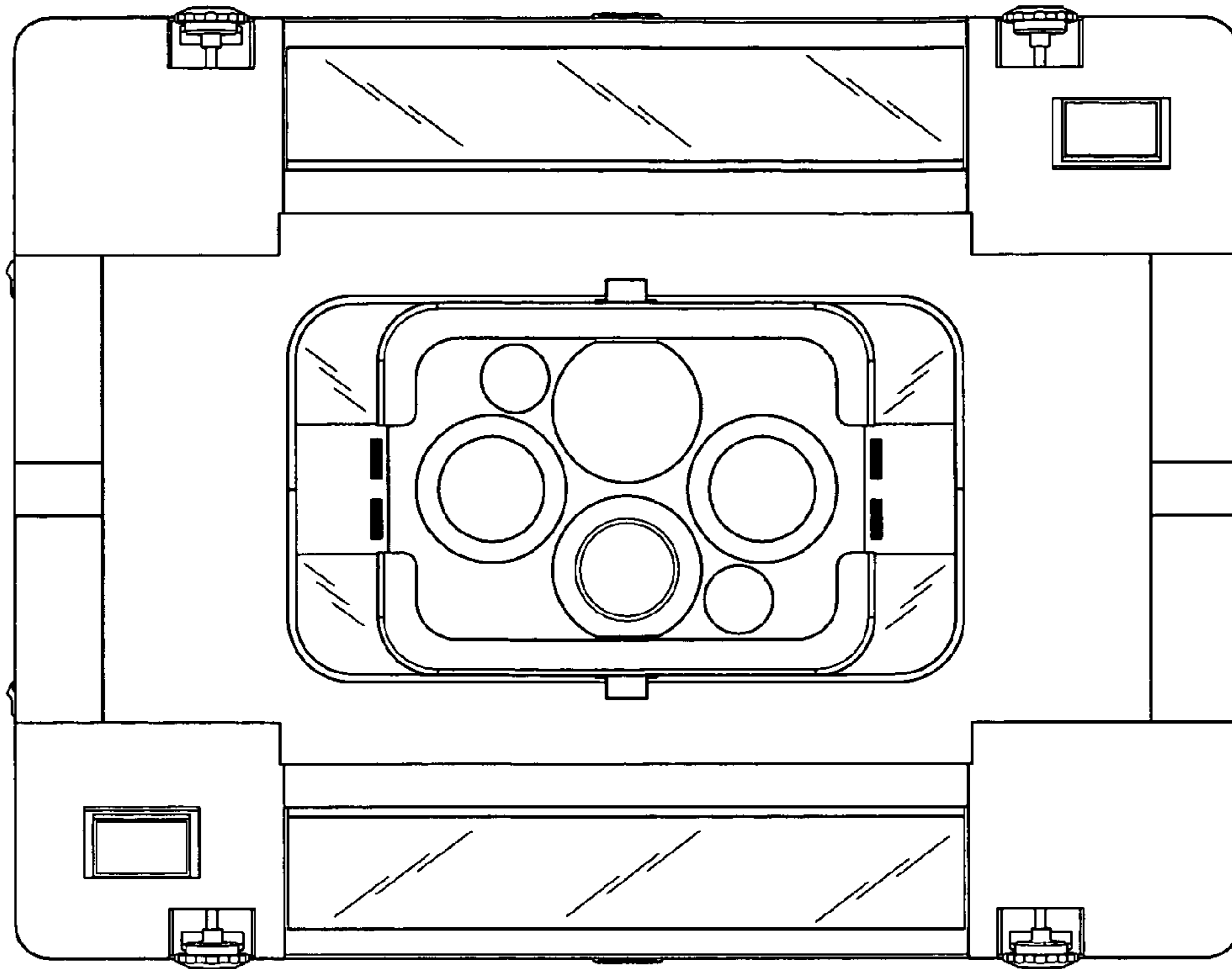


FIG. 5

