



US00D552133S

(12) **United States Design Patent** (10) **Patent No.:** **US D552,133 S**  
**Babcock et al.** (45) **Date of Patent:** **\*\* Oct. 2, 2007**

(54) **WEDGE FOR LOG SPLITTER** 4,782,870 A 11/1988 Duerr ..... 144/195.1  
4,961,452 A 10/1990 Hudson ..... 144/195.1  
(75) Inventors: **Stephen E. Babcock**, Lakeville, MN D336,024 S \* 6/1993 Mele ..... D8/47  
(US); **Timothy C. Rancourt**, Faribault, MN (US) 5,337,810 A 8/1994 McCormack ..... 144/195.1  
5,526,855 A 6/1996 Graham ..... 144/195.1  
D509,231 S \* 9/2005 Hickenbottom ..... D15/127  
(73) Assignee: **Northern Tool & Equipment** D528,570 S \* 9/2006 Lewis et al. .... D15/127  
**Company, Inc.**, Burnsville, MN (US)

(\*\*) Term: **14 Years**

(21) Appl. No.: **29/263,441**

(22) Filed: **Jul. 21, 2006**

(51) **LOC (8) Cl.** ..... **15-09**

(52) **U.S. Cl.** ..... **D15/127**

(58) **Field of Classification Search** ..... D8/47;  
D15/28, 127, 138, 139; 108/12, 19; 144/193.1-195.6,  
144/366; 254/104

See application file for complete search history.

(56) **References Cited**

**U.S. PATENT DOCUMENTS**

3,285,304 A	11/1966	Fuller	.....	144/193.1
3,779,295 A	12/1973	Balsbaugh	.....	144/195.1
3,974,867 A	8/1976	Butas, Jr.	.....	144/195.1
D255,686 S *	7/1980	Duppong et al.	.....	D15/139
4,275,779 A	6/1981	Rowe	.....	144/195.1
4,412,570 A	11/1983	Nickerson	.....	144/195.1
4,453,580 A	6/1984	Patten	.....	144/195.1
4,467,851 A *	8/1984	Hockman	.....	144/193.1
4,506,712 A *	3/1985	Johnson	.....	144/195.1
4,515,194 A *	5/1985	Dankel	.....	144/195.1
4,561,479 A	12/1985	Burdine	.....	144/195.2
4,589,457 A *	5/1986	Schmidt et al.	.....	144/195.8
4,667,712 A	5/1987	Hudson et al.	.....	144/195.1
4,700,759 A	10/1987	Duerr	.....	144/195.1
D297,738 S *	9/1988	Johansson	.....	D15/28

\* cited by examiner

*Primary Examiner*—Antoine D. Davis

*Assistant Examiner*—Patricia Palasik

(74) *Attorney, Agent, or Firm*—Oppenheimer Wolff & Donnelly LLP

(57) **CLAIM**

The ornamental design for a wedge for log splitter, substantially as shown and described.

**DESCRIPTION**

FIG. 1 is a perspective view of the wedge utilized for splitting wood in an automated log splitter.

FIG. 2 is a front view of the wedge.

FIG. 3 is a back view of the wedge.

FIG. 4 is a top view of the wedge.

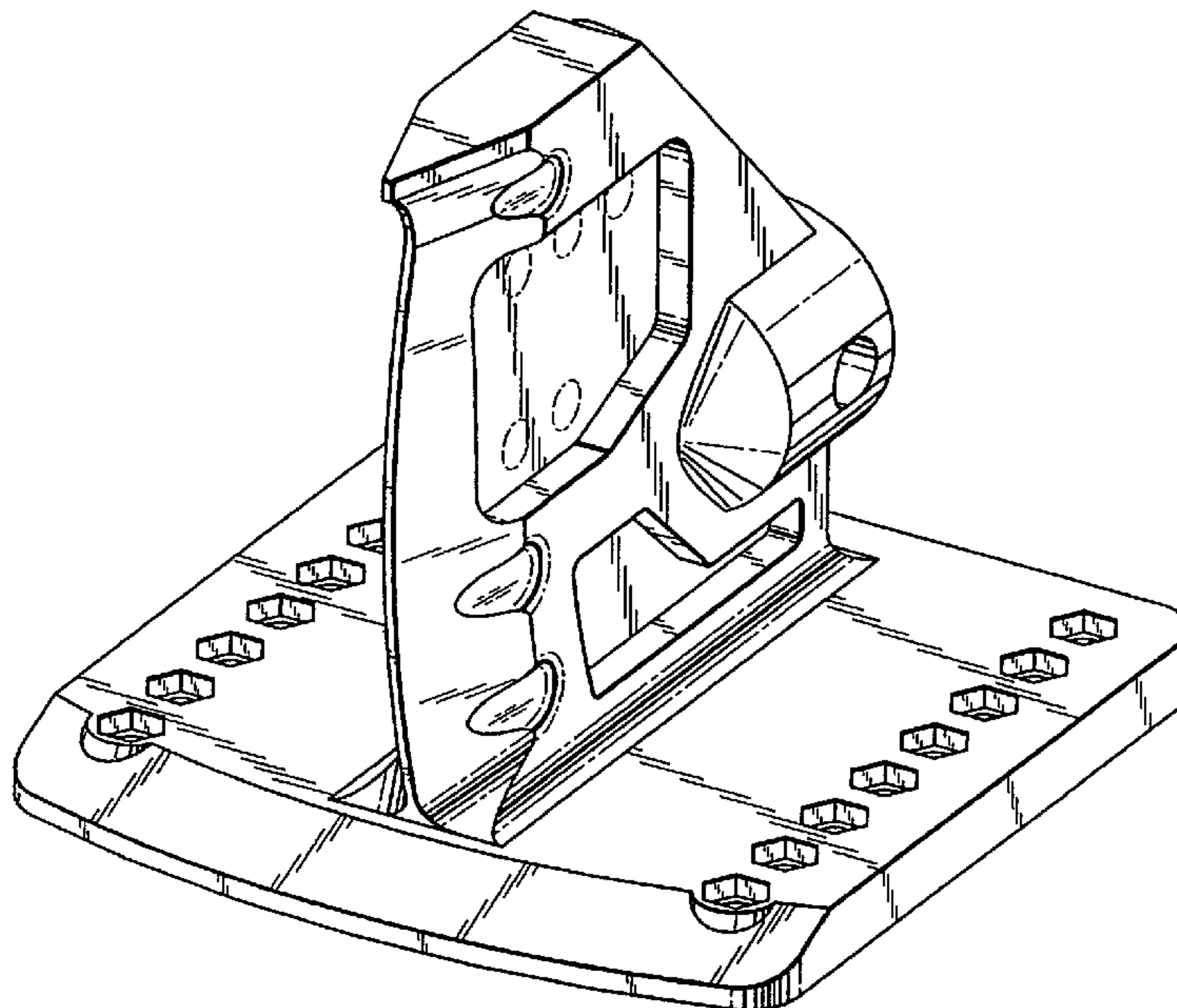
FIG. 5 is a bottom view of the wedge.

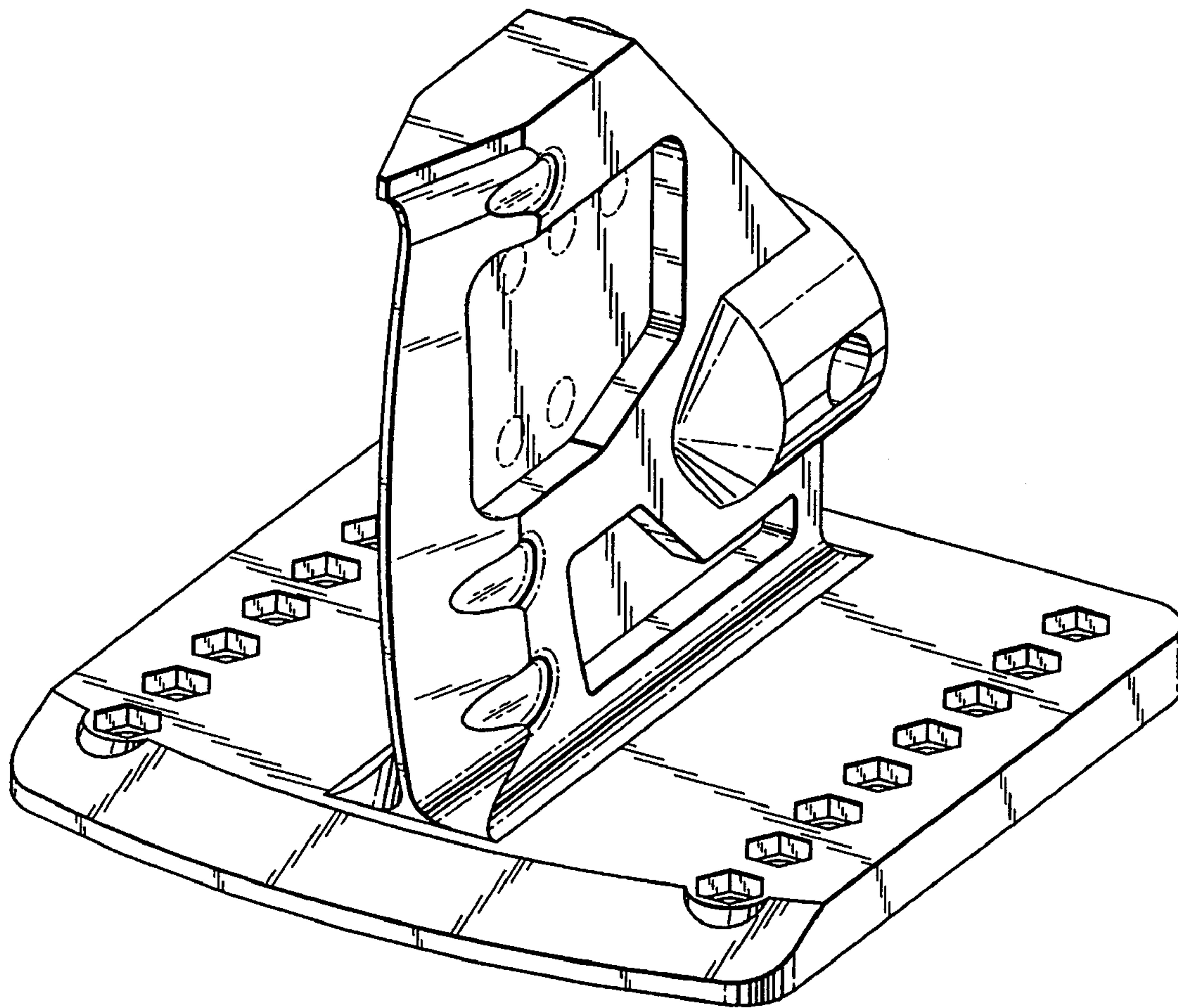
FIG. 6 is a side view of the wedge; and,

FIG. 7 is a perspective view of the wedge of FIG. 1 with optional side wings attached and shown in dotted line format for context.

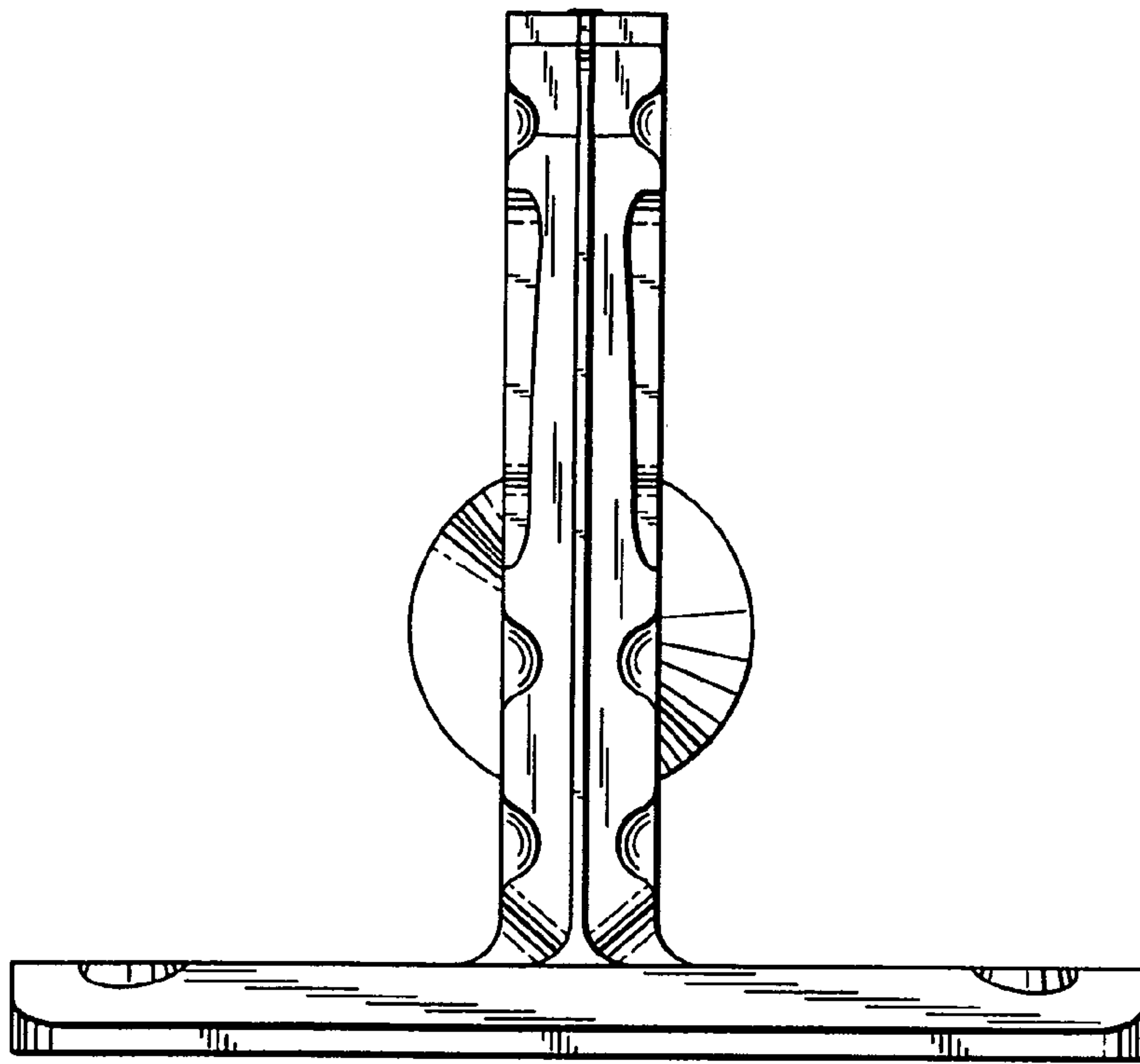
The broken line showing of side wings is included for the purpose of illustrating environmental structure of the wedge for log splitter and forms no part of the claimed design.

**1 Claim, 5 Drawing Sheets**

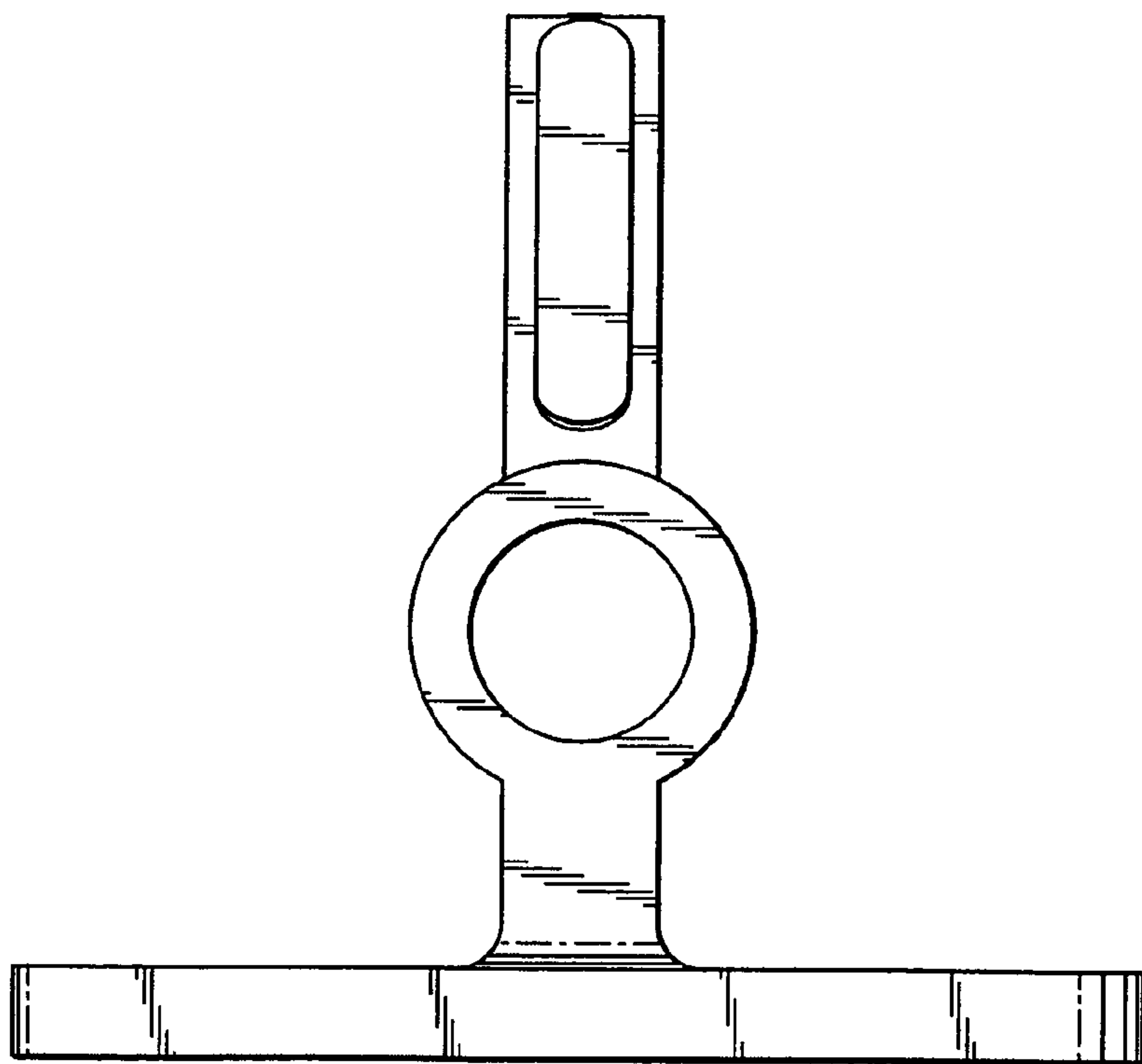




**Fig. 1**



**Fig. 2**



**Fig. 3**

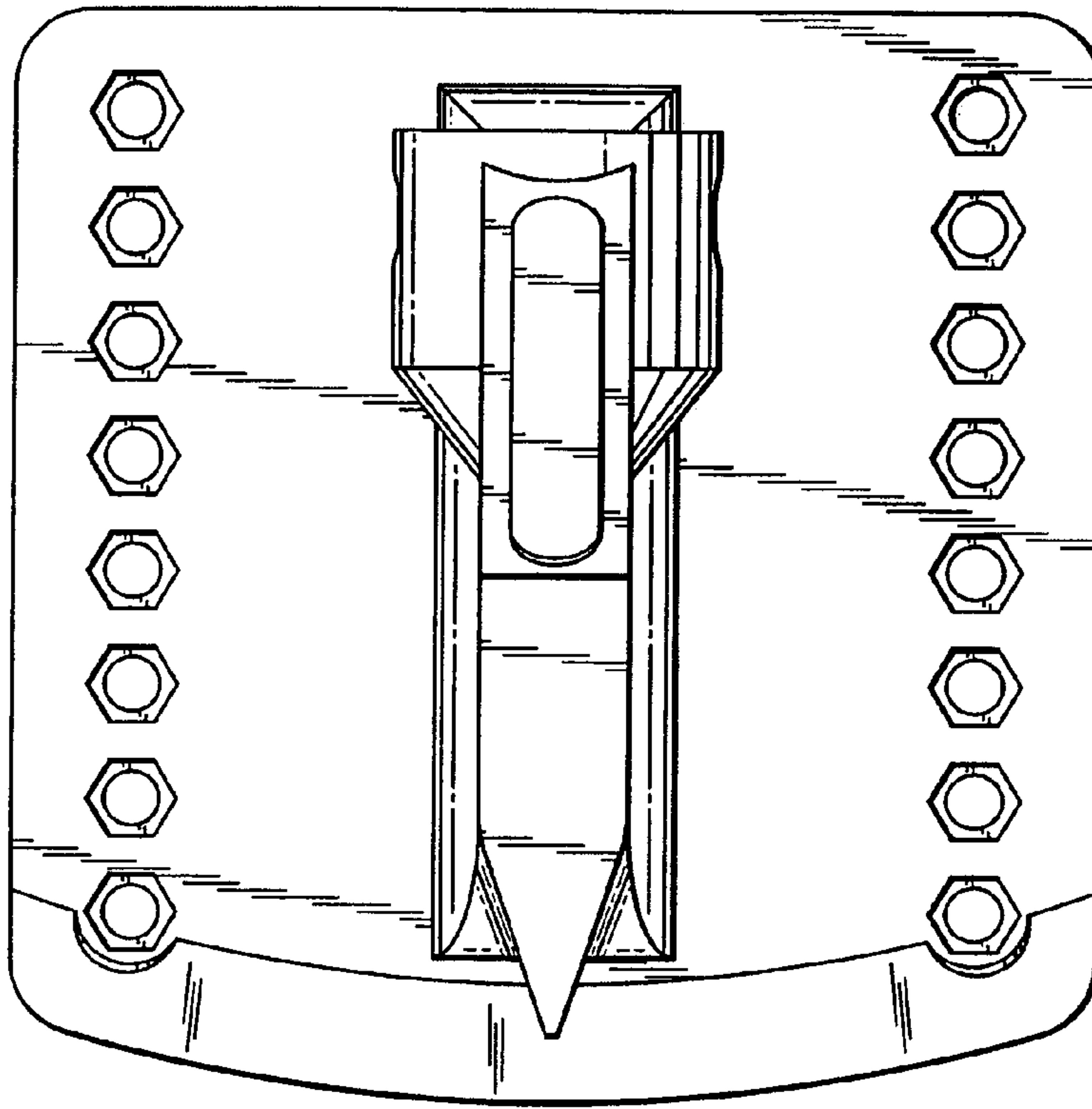


Fig. 4

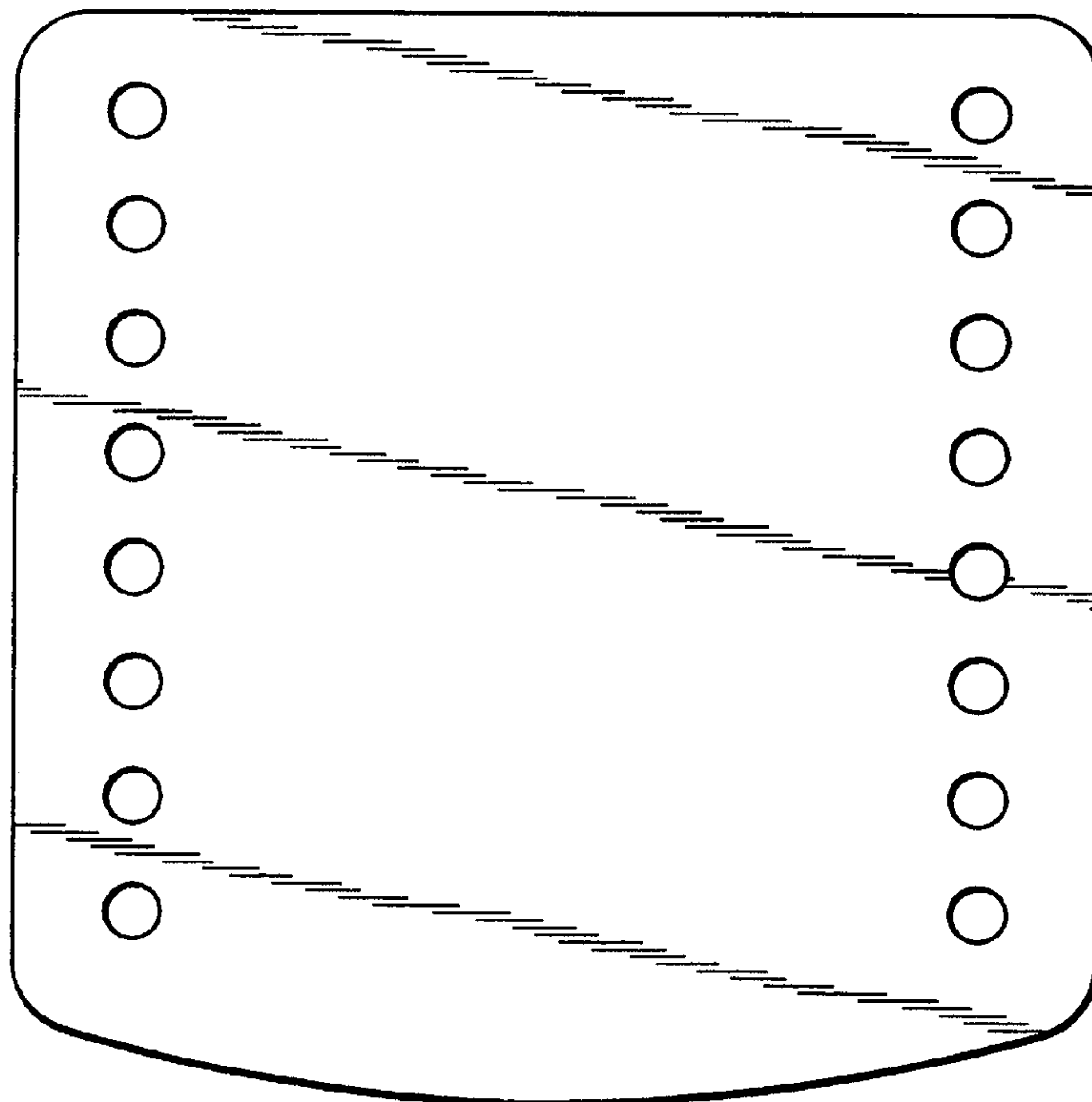
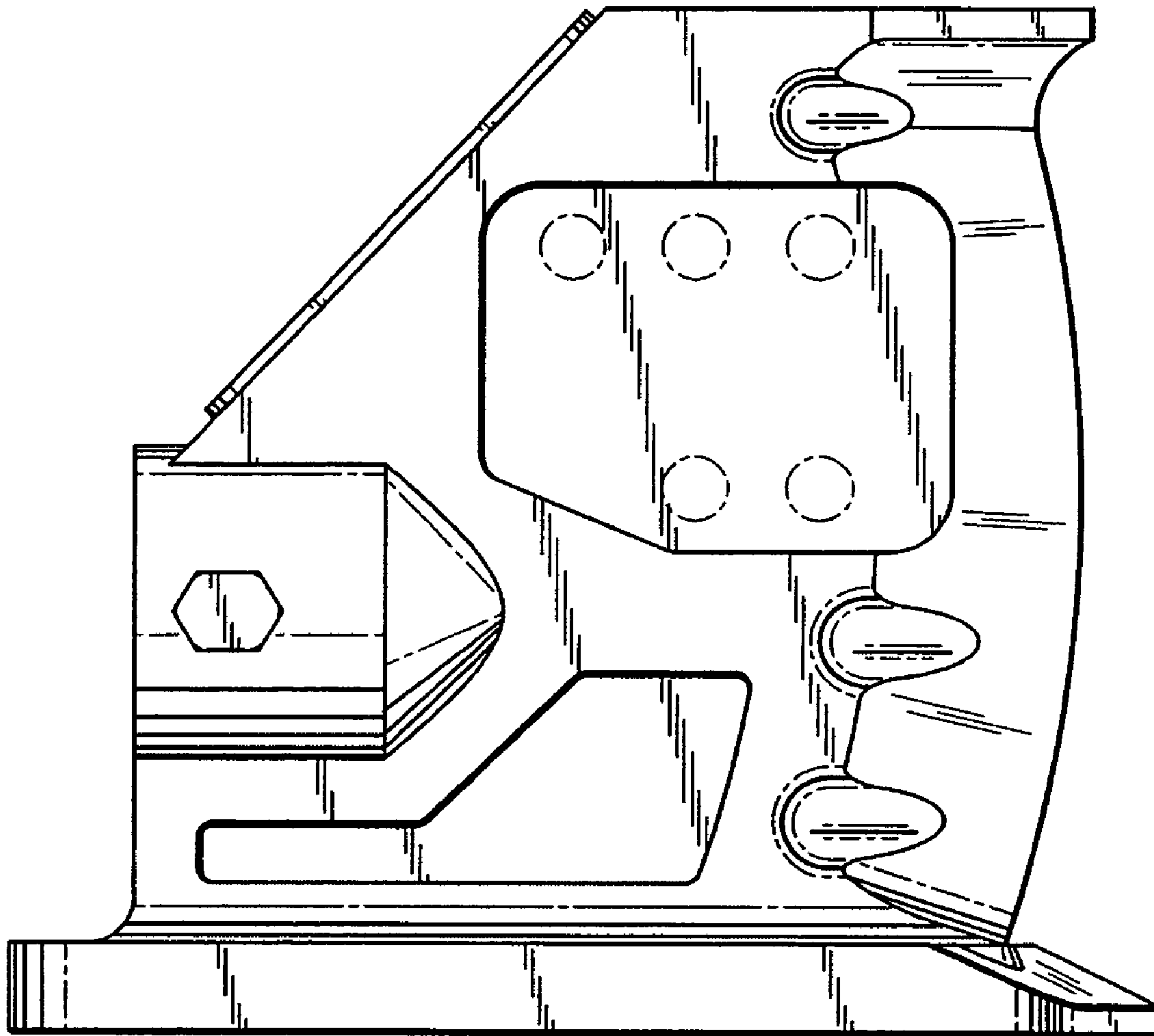


Fig. 5



**Fig. 6**



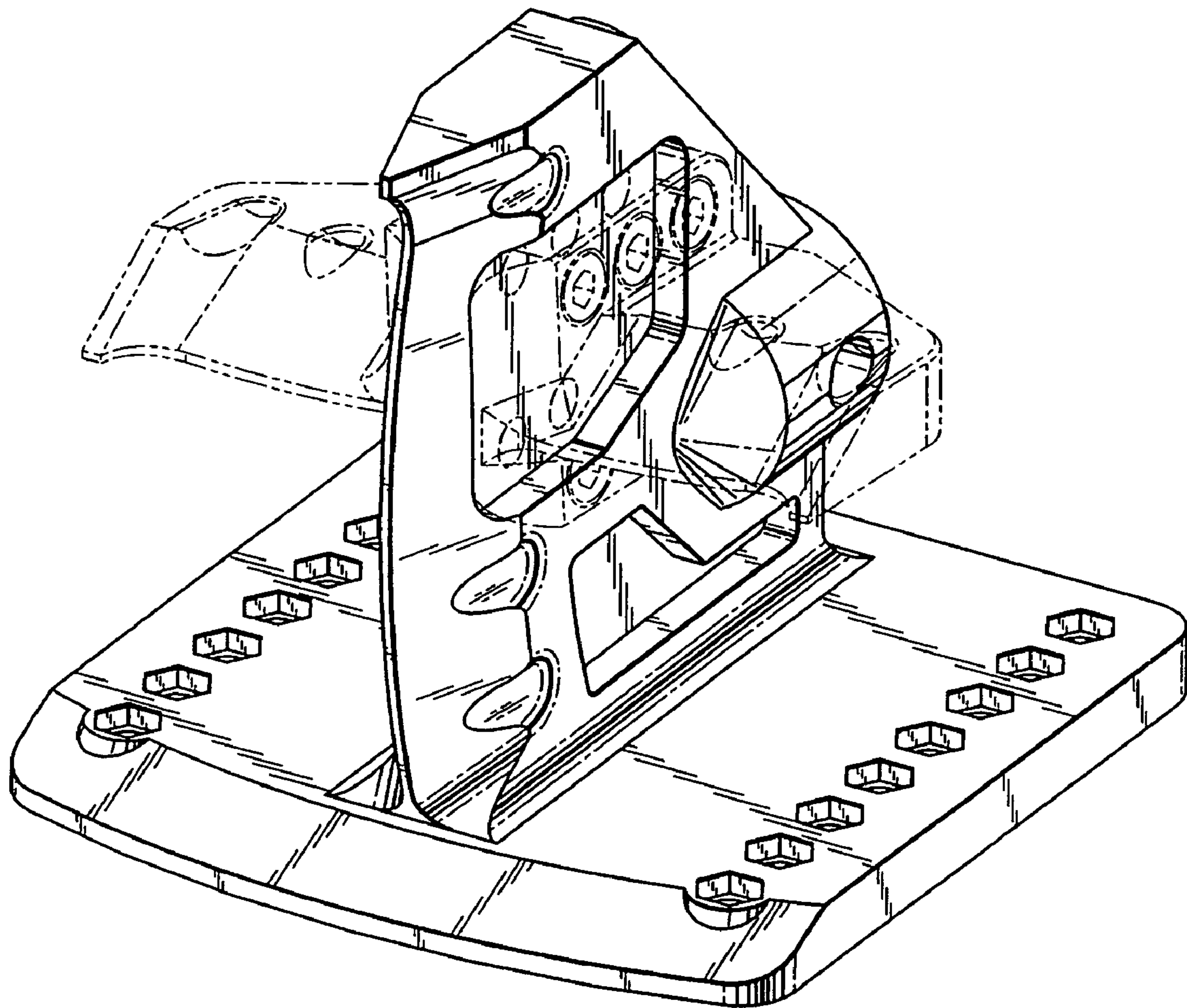


Fig. 7