



US00D552132S

(12) **United States Design Patent**  
**Inada**

(10) **Patent No.:** **US D552,132 S**

(45) **Date of Patent:** **\*\* Oct. 2, 2007**

(54) **SEWING MACHINE**

D504,137 S \* 4/2005 Kuroki ..... D15/69  
D507,583 S \* 7/2005 Muto ..... D15/70

(75) Inventor: **Toshiya Inada**, Nagoya (JP)

\* cited by examiner

(73) Assignee: **Brother Industries, Ltd.**, Nagoya (JP)

*Primary Examiner*—Mitchell Siegel

*Assistant Examiner*—Shanda C. Hill

(\*\*) Term: **14 Years**

(74) *Attorney, Agent, or Firm*—Oliff & Berridge, PLC

(21) Appl. No.: **29/269,108**

(57) **CLAIM**

(22) Filed: **Nov. 21, 2006**

The ornamental design for a sewing machine, as shown and described.

(30) **Foreign Application Priority Data**

Jun. 13, 2006 (JP) ..... 2006-015282

**DESCRIPTION**

(51) **LOC (8) Cl.** ..... **15-06**

FIG. 1 is a perspective view of a sewing machine;

(52) **U.S. Cl.** ..... **D15/72; D15/78**

FIG. 2 is a front view thereof;

(58) **Field of Classification Search** ..... D15/66,

FIG. 3 is a top view thereof;

D15/67, 69, 70, 72, 78; 112/2, 78, 154, 475.01

FIG. 4 is a right-side view thereof;

See application file for complete search history.

FIG. 5 is a left-side view thereof; and,

FIG. 6 is an enlarged partial front view thereof.

(56) **References Cited**

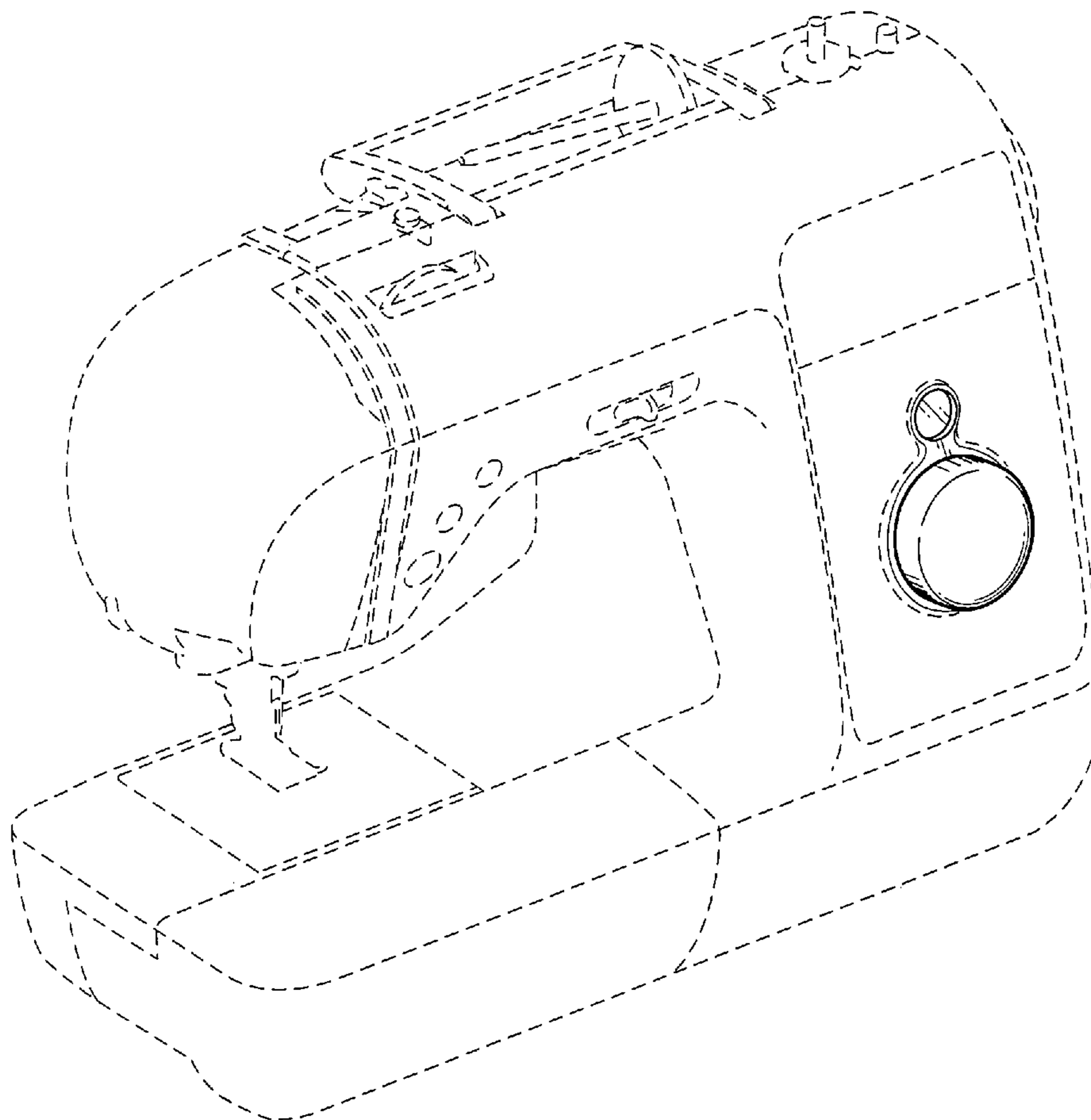
The broken lines are for illustrative purposes only and form no part of the claimed design.

**U.S. PATENT DOCUMENTS**

D366,490 S \* 1/1996 Wu ..... D15/69

D481,738 S \* 11/2003 Egami ..... D15/69

**1 Claim, 5 Drawing Sheets**



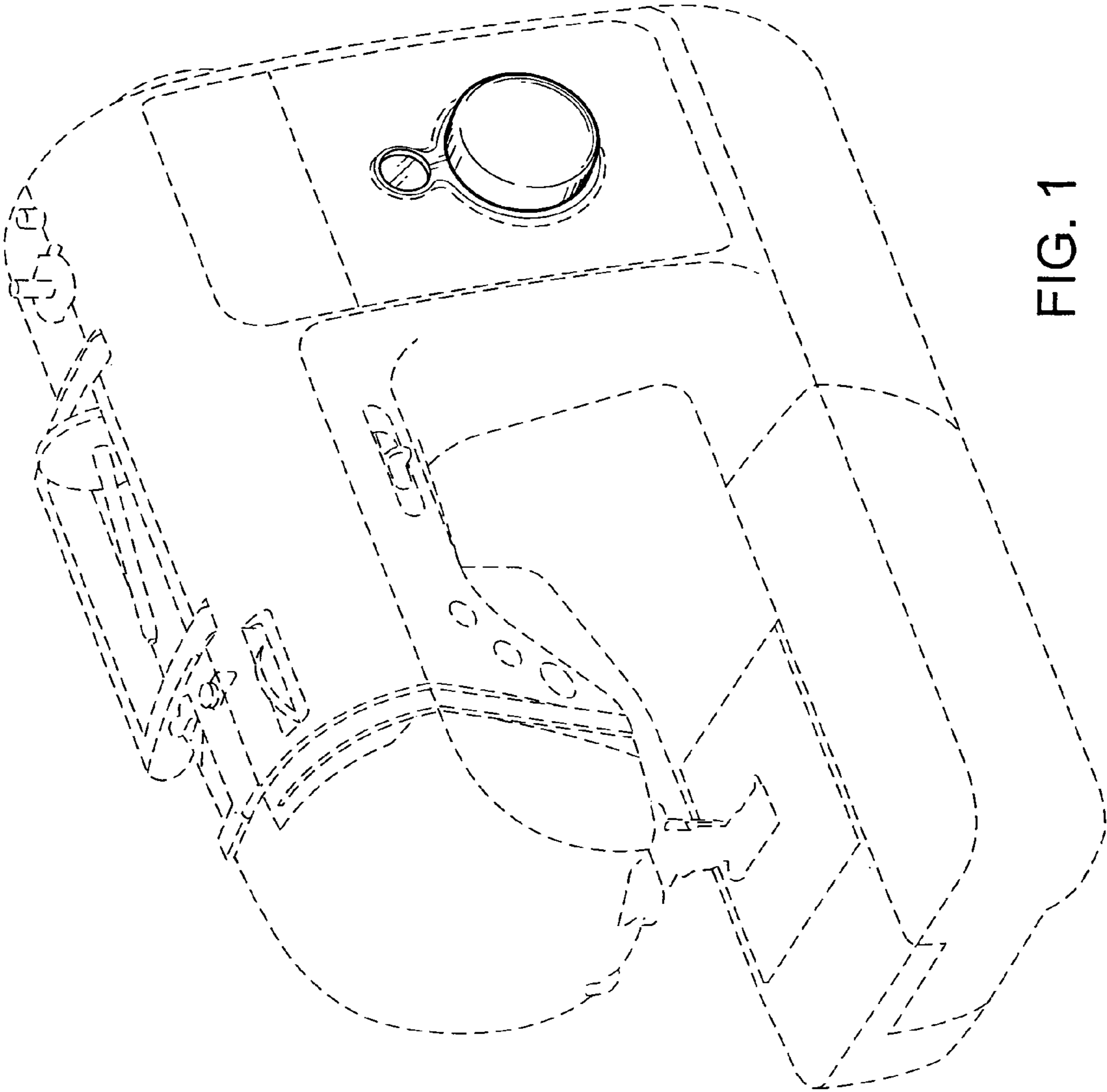


FIG. 1

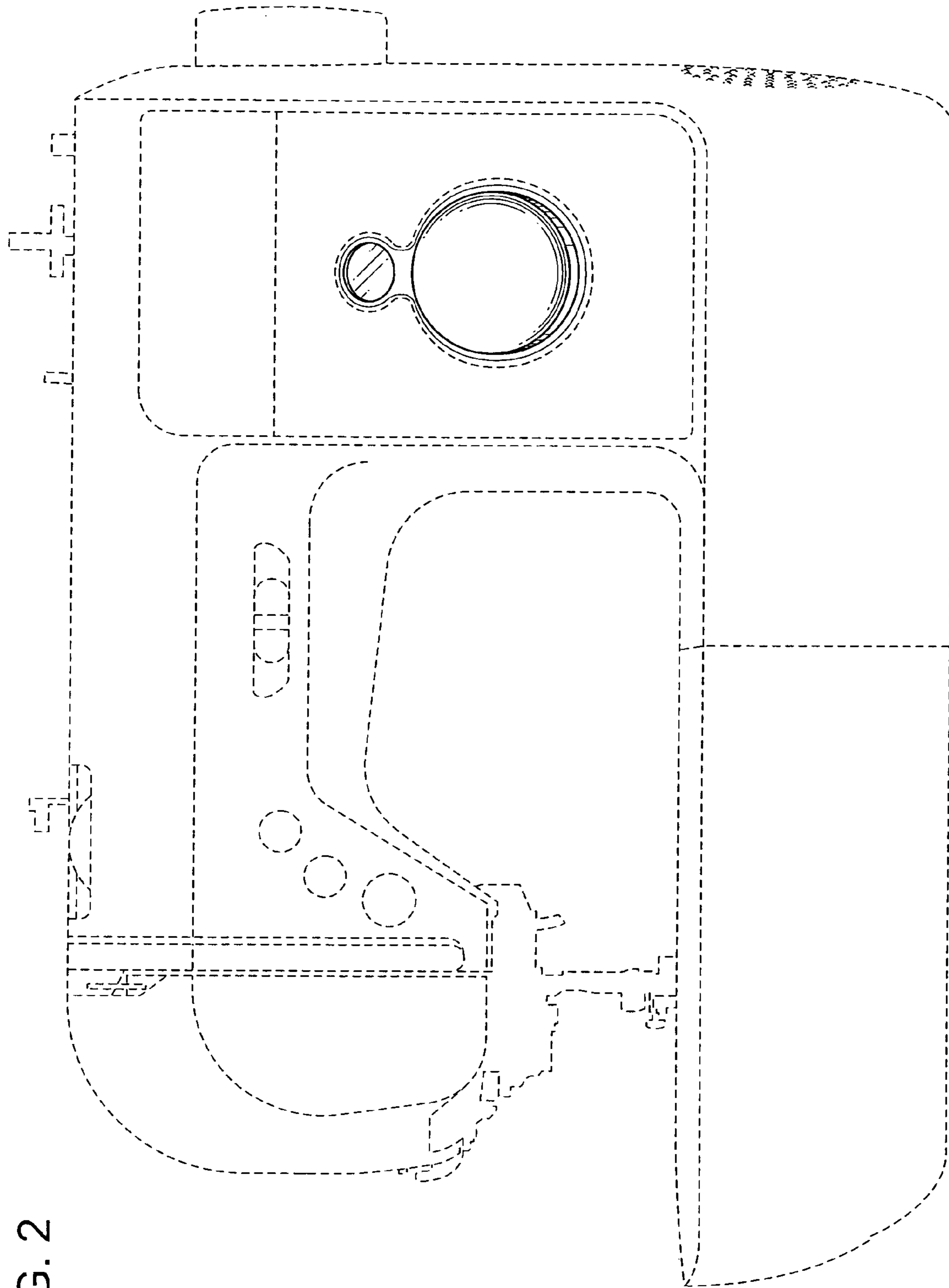


FIG. 2

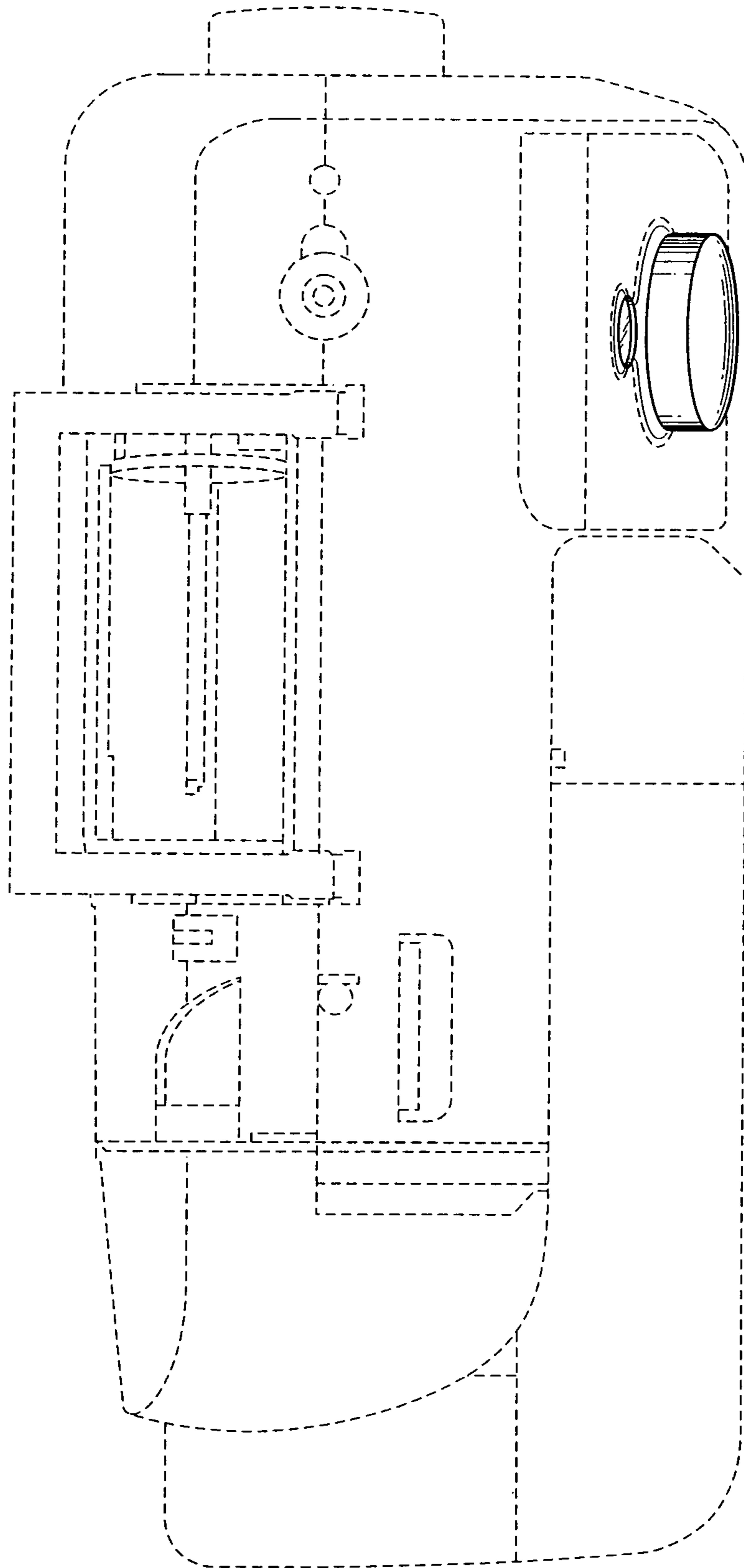


FIG. 3

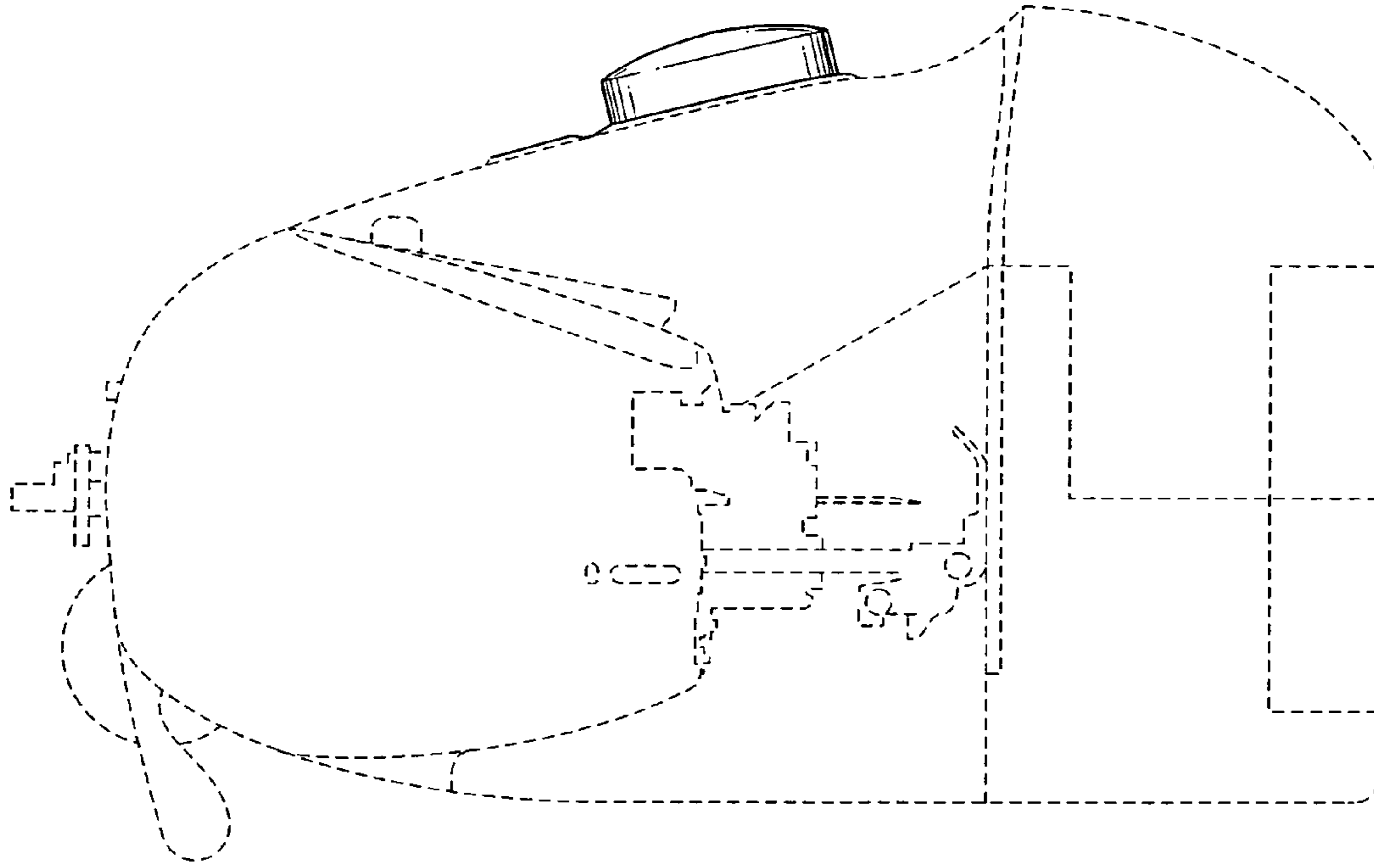


FIG. 5

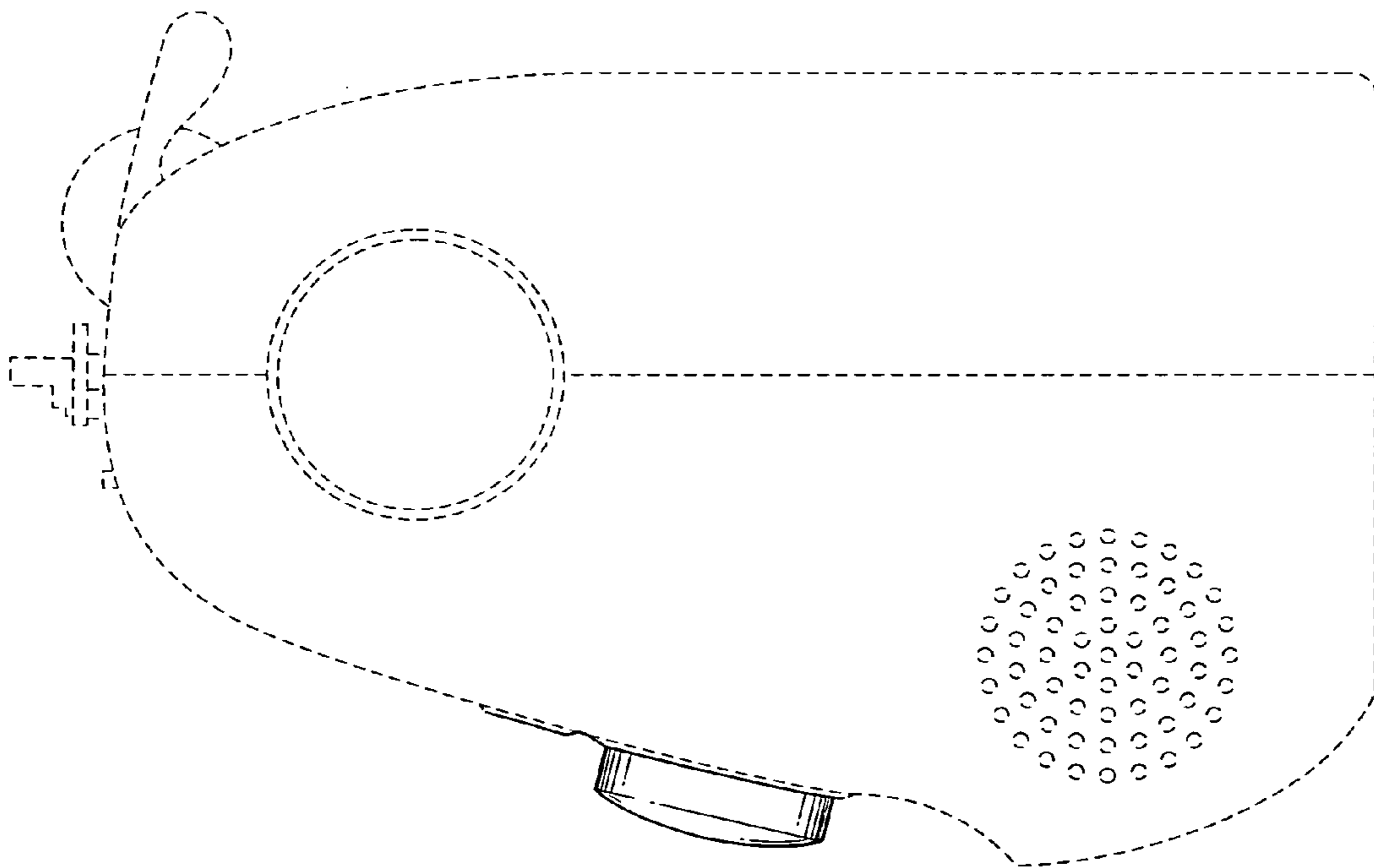


FIG. 4

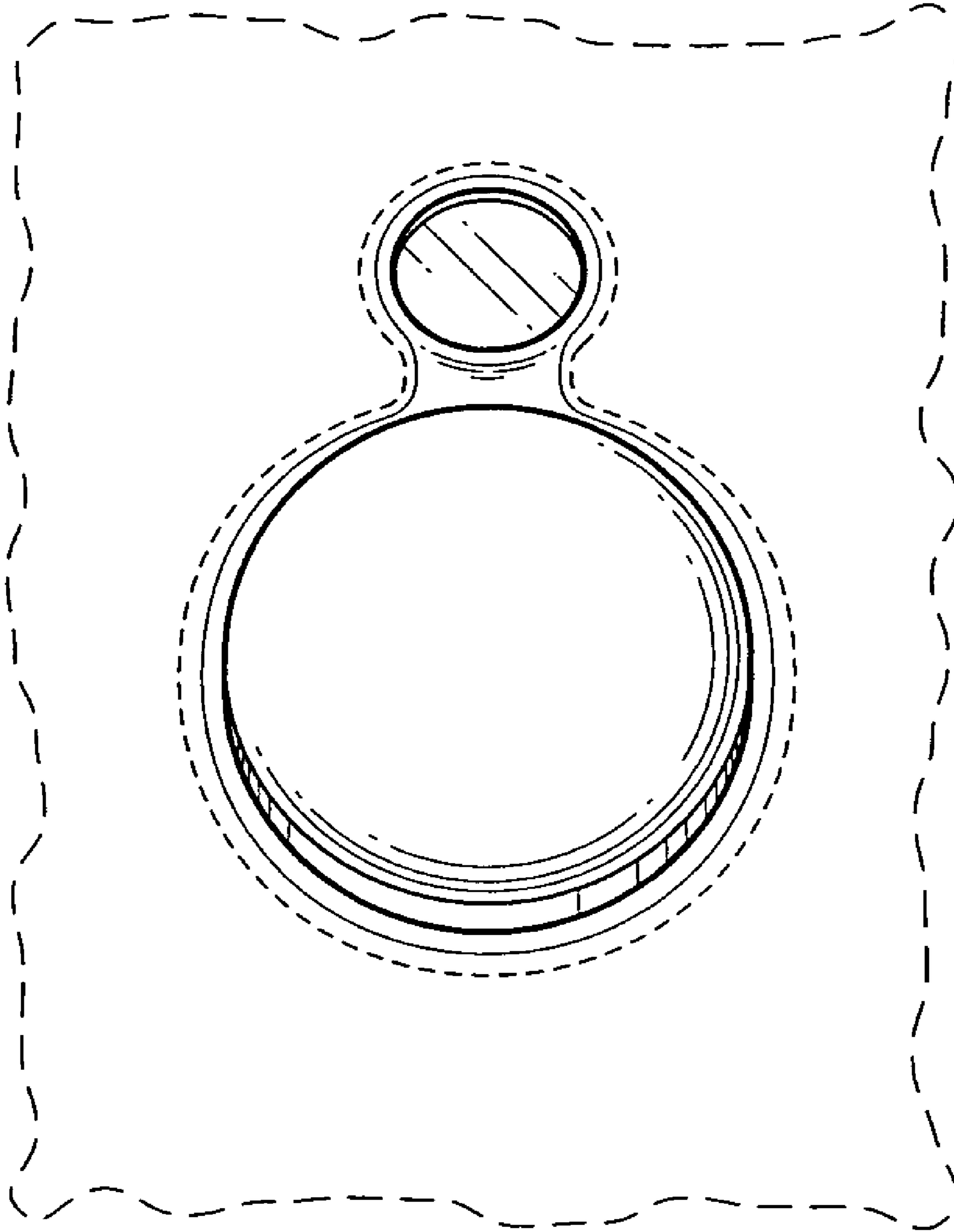


FIG. 6