



US00D552129S

(12) **United States Design Patent**
Steinberg et al.

(10) **Patent No.:** **US D552,129 S**

(45) **Date of Patent:** **** Oct. 2, 2007**

(54) **OUTBOARD MOTOR**

D534,546 S * 1/2007 Miyaki et al. D15/4

(75) Inventors: **Claus Steinberg**, Unterhaching (DE);
Julian Schlagheck, Munich (DE)

* cited by examiner

(73) Assignee: **Torqueedo GmbH**, Starnberg (DE)

Primary Examiner—Jeffrey Asch

Assistant Examiner—Maurice Stevens

(74) *Attorney, Agent, or Firm*—Crowell & Moring LLP

(**) Term: **14 Years**

(57) **CLAIM**

(21) Appl. No.: **29/270,785**

The ornamental design for an outboard motor, as shown and described.

(22) Filed: **Jan. 4, 2007**

(51) **LOC (8) Cl.** **15-01**

DESCRIPTION

(52) **U.S. Cl.** **D15/4**

(58) **Field of Classification Search** D15/4;
123/495, 195 P; 248/640, 643; 290/43-46,
290/54; 440/75, 76, 78, 84

FIG. 1 is a left, rear perspective view of an outboard motor;

FIG. 2 is a left side view thereof;

FIG. 3 is a rear view thereof;

FIG. 4 is a front view thereof;

FIG. 5 is a right side view thereof;

FIG. 6 is a bottom view thereof; and,

FIG. 7 is a top view thereof.

See application file for complete search history.

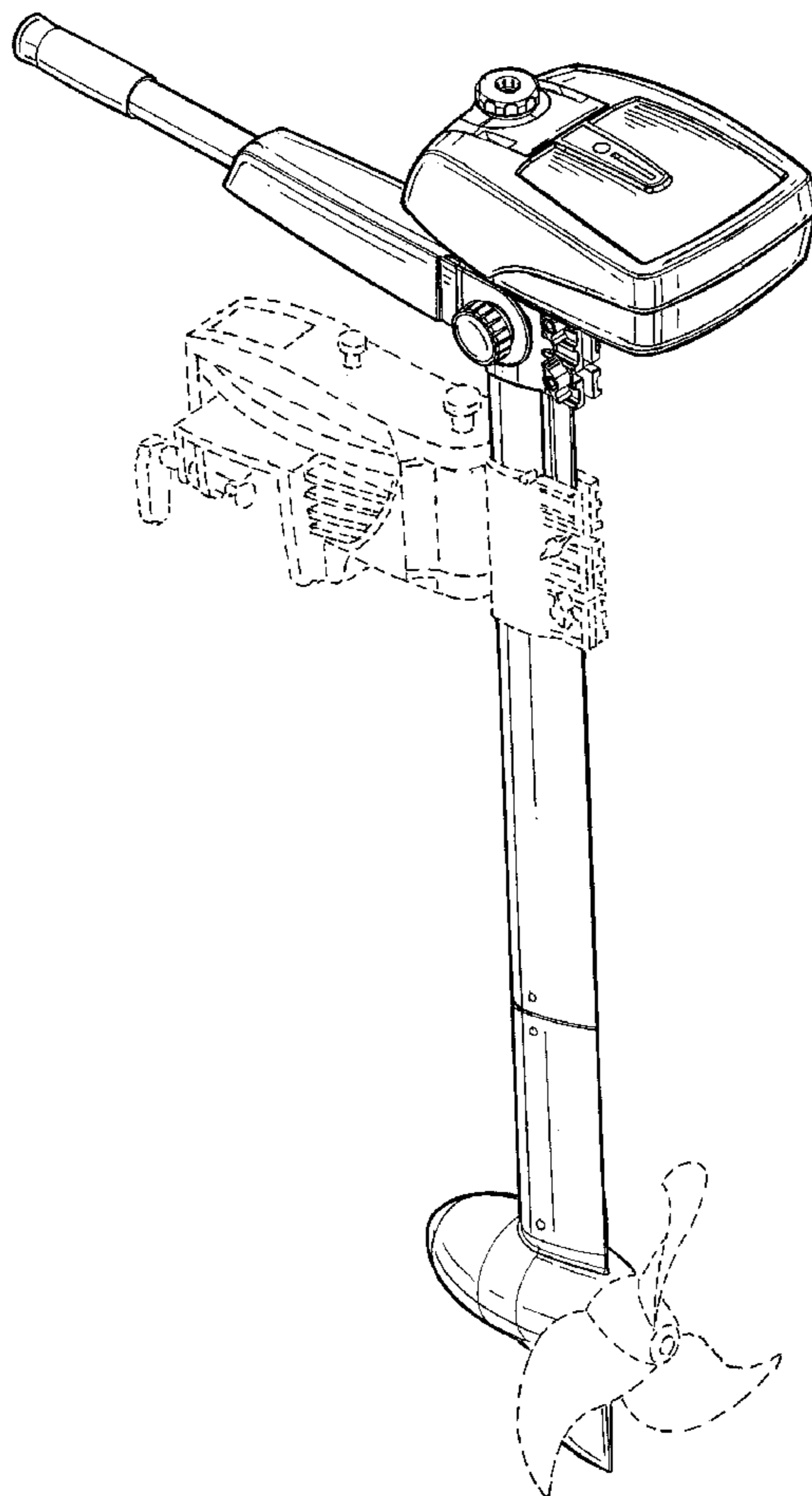
The broken lines are for illustrative purposes only and form no part of the claimed design.

(56) **References Cited**

U.S. PATENT DOCUMENTS

| | | | |
|--------------|---------|---------------------|--------|
| D289,169 S * | 4/1987 | Mikado et al. | D15/4 |
| D318,474 S * | 7/1991 | Reynolds | D15/4 |
| D409,205 S * | 5/1999 | Ohsumi et al. | D15/4 |
| D466,907 S * | 12/2002 | Ohsumi | D15/4 |
| D471,593 S * | 3/2003 | Nishida et al. | D20/24 |

1 Claim, 6 Drawing Sheets



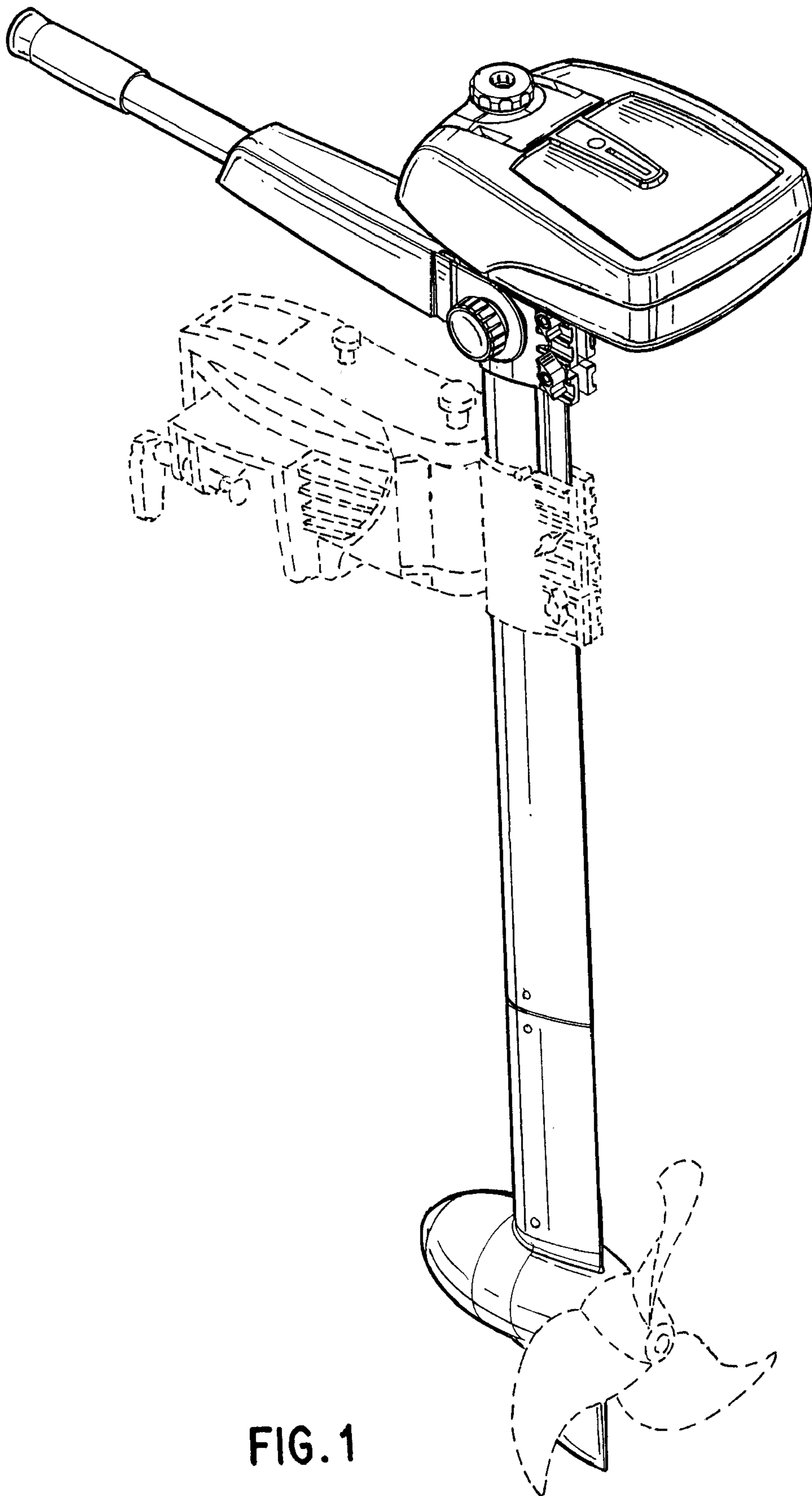


FIG. 1

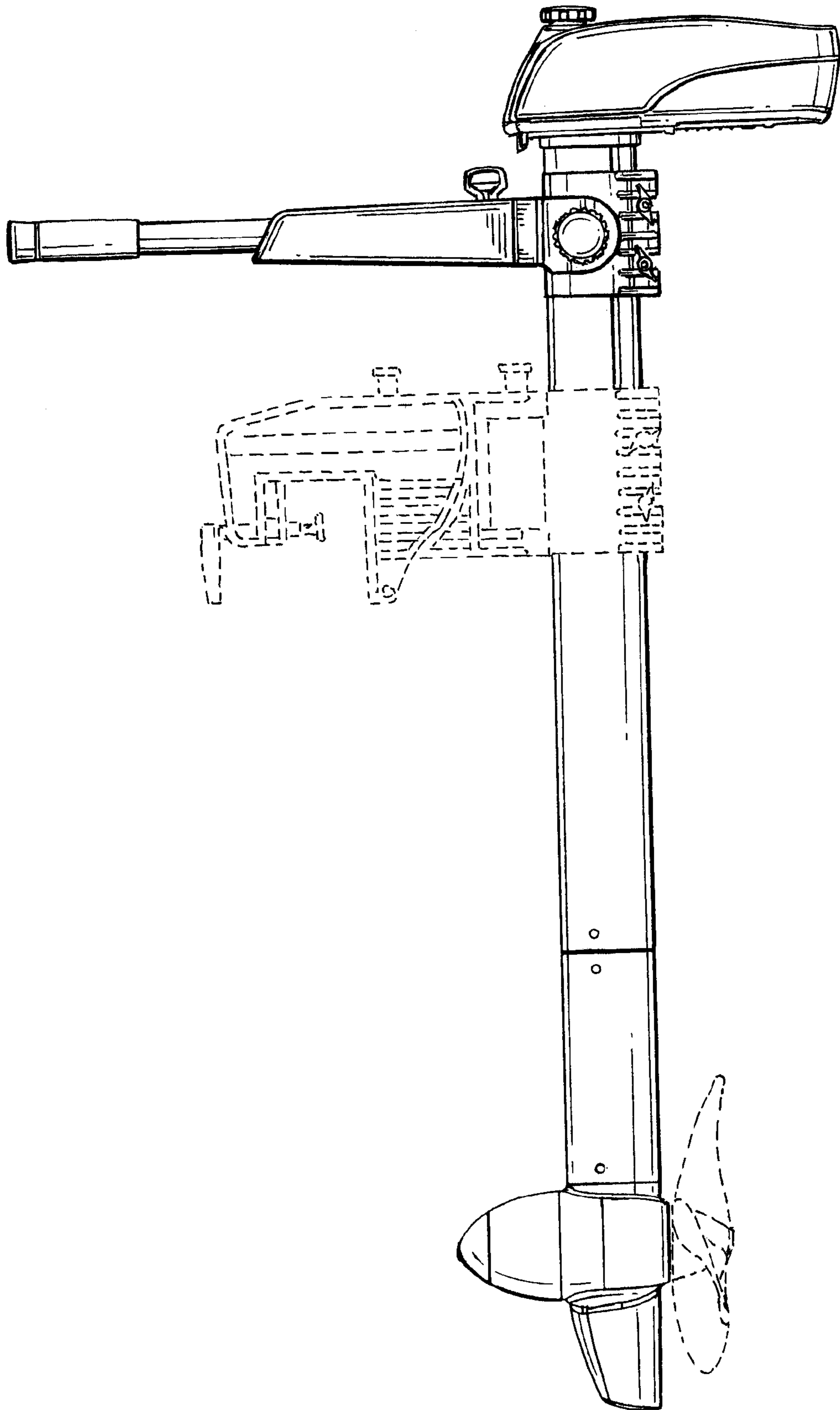


FIG. 2

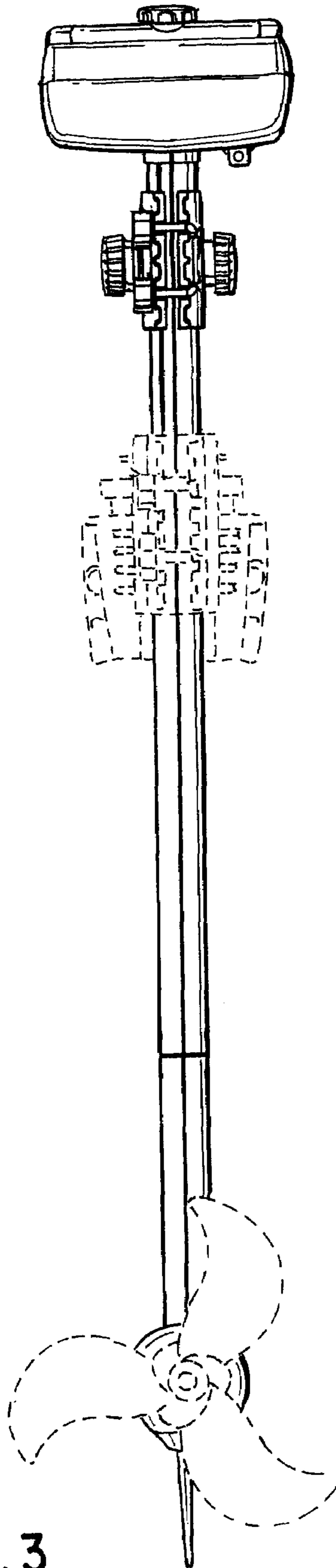


FIG. 3

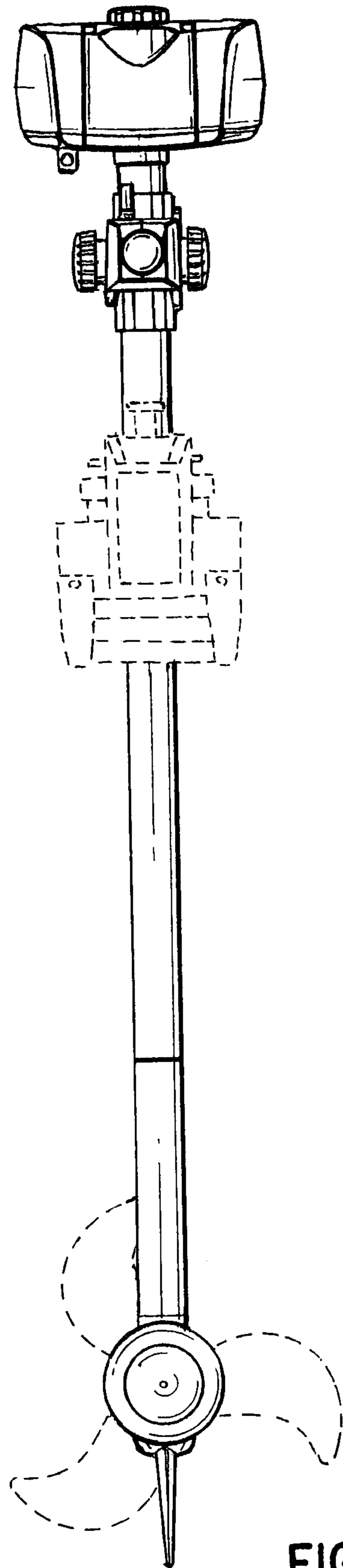


FIG. 4

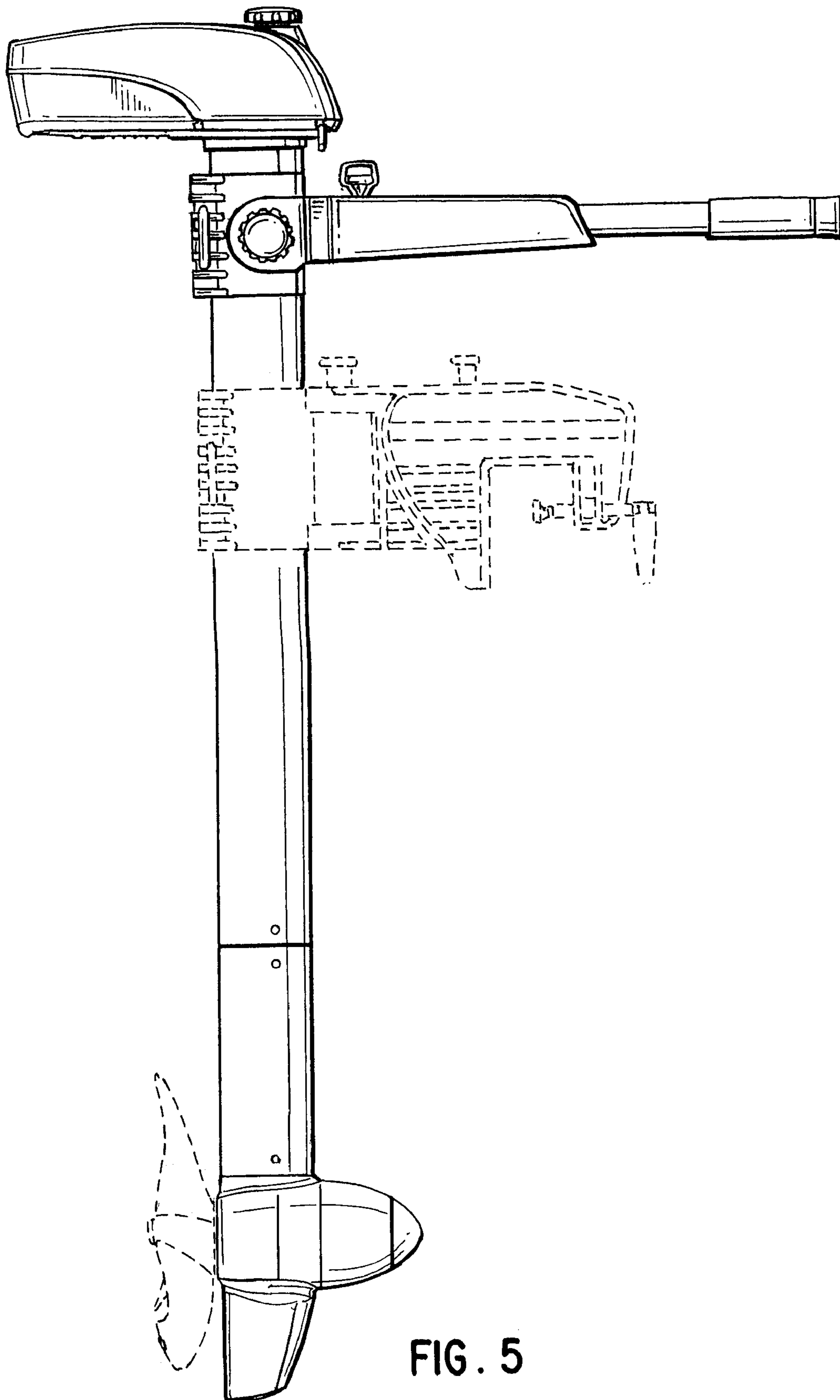


FIG. 5

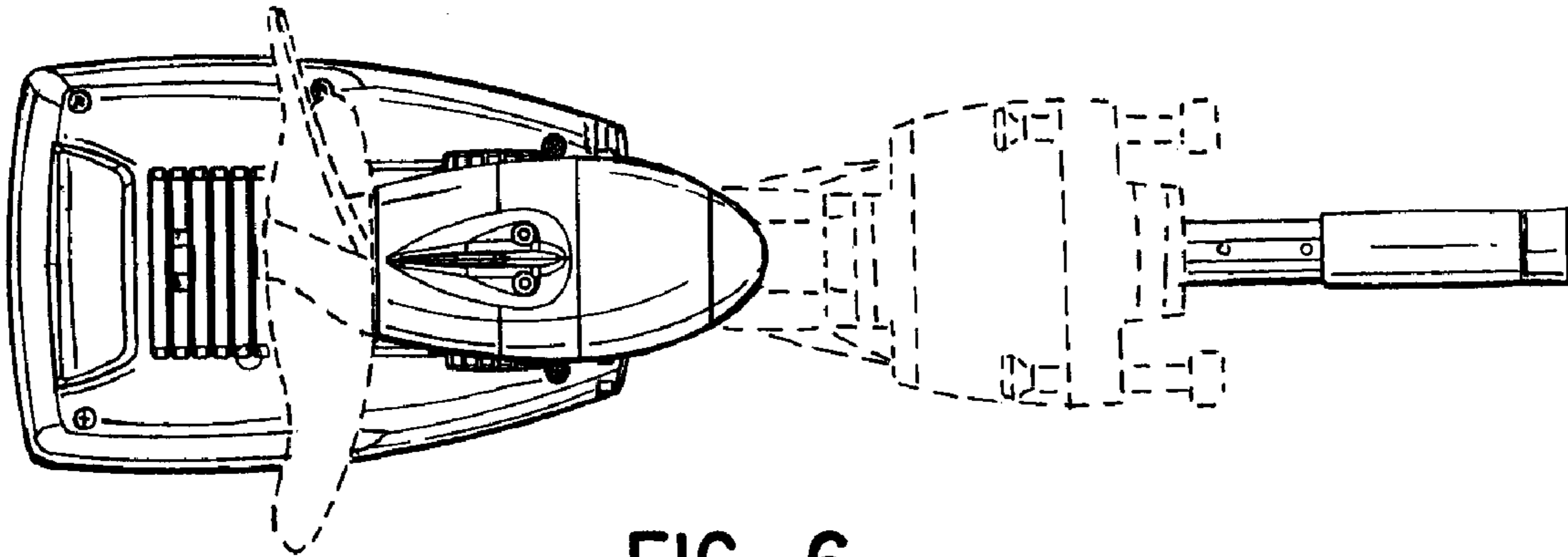


FIG. 6

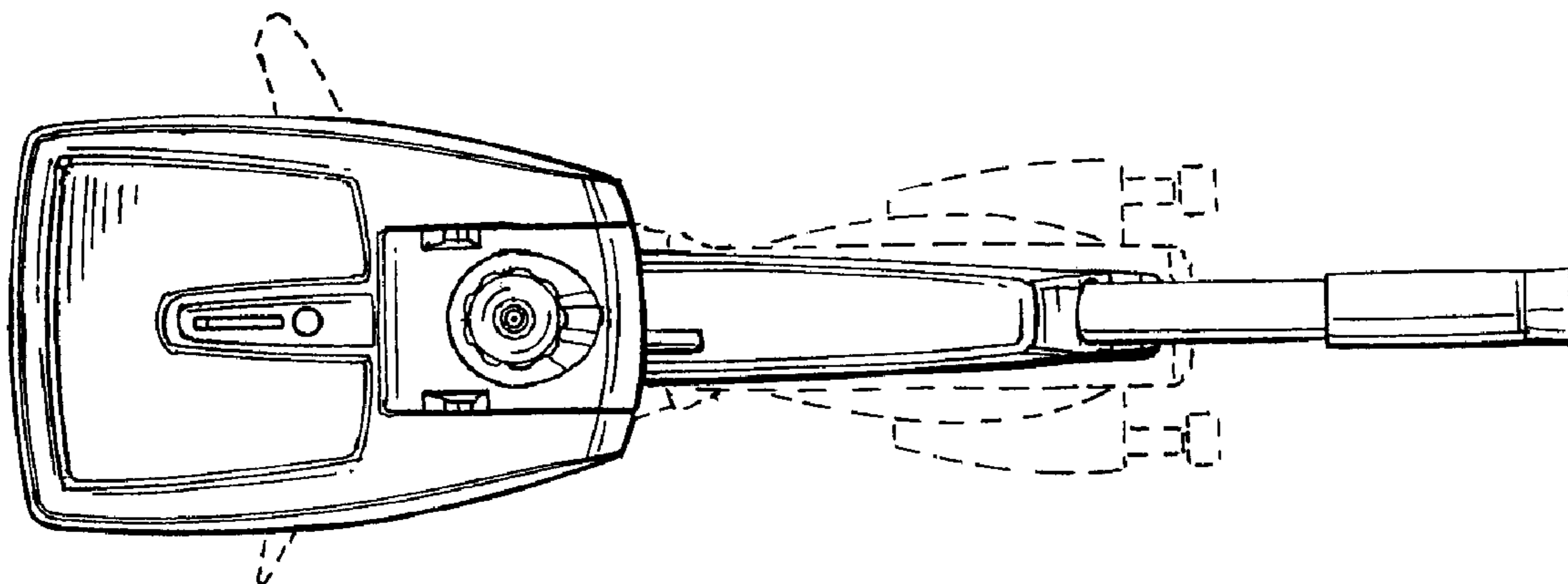


FIG. 7