



US00D552127S

(12) **United States Design Patent**
Song

(10) **Patent No.:** **US D552,127 S**

(45) **Date of Patent:** **** Oct. 2, 2007**

(54) **DIGITAL AUDIO PLAYER**

(75) Inventor: **O-shik Song**, Daegu-si (KR)

(73) Assignee: **Hyunwon Inc.** (KR)

(**) Term: **14 Years**

(21) Appl. No.: **29/263,238**

(22) Filed: **Jul. 19, 2006**

(30) **Foreign Application Priority Data**

May 24, 2006 (KR) 30-2006-0019157

(51) **LOC (8) Cl.** **14-03**

(52) **U.S. Cl.** **D14/496; D14/156**

(58) **Field of Classification Search** D14/496,
D14/401, 435, 474, 483, 217, 137, 138, 160,
D14/168; 345/156, 169, 173-179, 905; 715/727-729,
715/864; 455/11.1, 7, 73, 344-347, 93, 95;
370/342-344; 369/1, 2, 6, 12; 463/43-47;
273/148 B

See application file for complete search history.

(56) **References Cited**

U.S. PATENT DOCUMENTS

D476,638 S * 7/2003 Tsukahara D14/168
D481,702 S * 11/2003 Takagi D14/156

D491,613 S * 6/2004 Kawabata D21/333
6,869,320 B2 * 3/2005 Haas et al. 439/701
D504,409 S * 4/2005 Kim D14/156
D519,522 S * 4/2006 Lee D14/496
D526,662 S * 8/2006 Choi D14/496
D527,018 S * 8/2006 Christianson D14/496

* cited by examiner

Primary Examiner—Prabahakar Deshmukh

(74) *Attorney, Agent, or Firm*—Cantor Colburn LLP

(57) **CLAIM**

I claim, the ornamental design for a digital audio player, as shown and described.

DESCRIPTION

FIG. 1 is a perspective view of a digital audio player, showing my new design;

FIG. 2 is a front elevational view thereof;

FIG. 3 is a rear elevational view thereof;

FIG. 4 is a left side elevational view thereof;

FIG. 5 is a right side elevational view thereof;

FIG. 6 is a top plan view thereof; and,

FIG. 7 is a bottom plan view thereof.

1 Claim, 4 Drawing Sheets

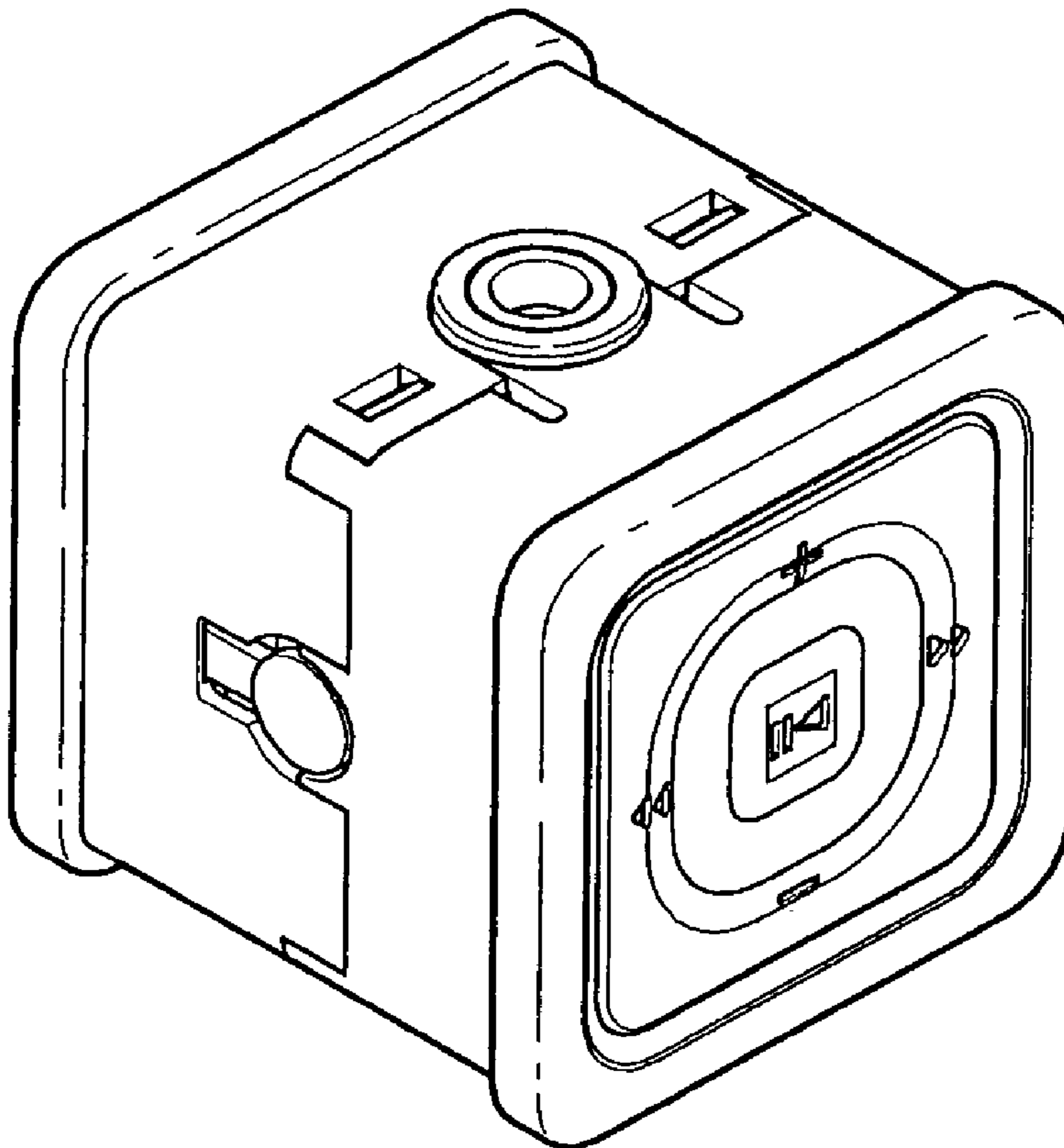


FIG. 1

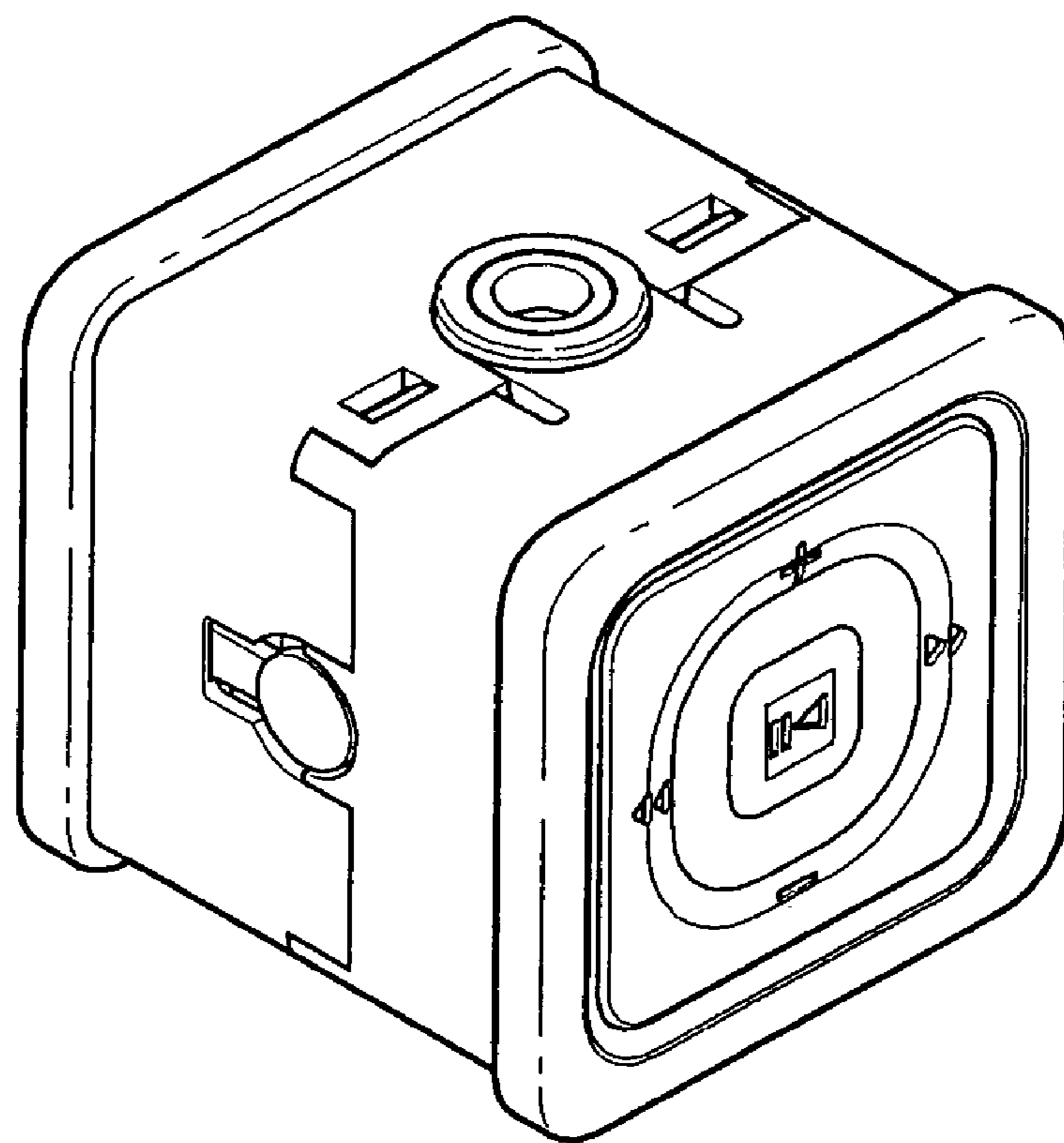


FIG.2

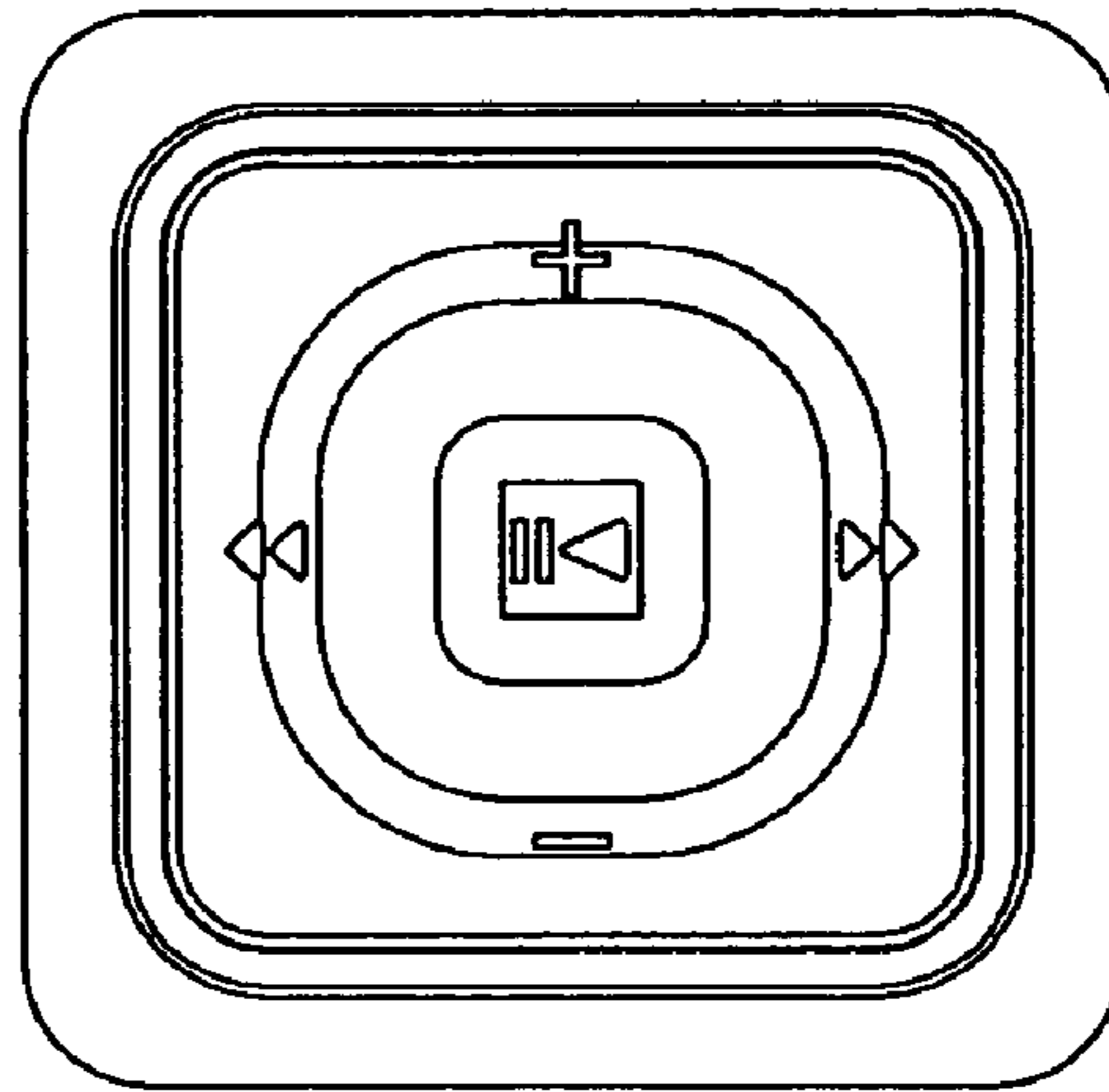


FIG.3

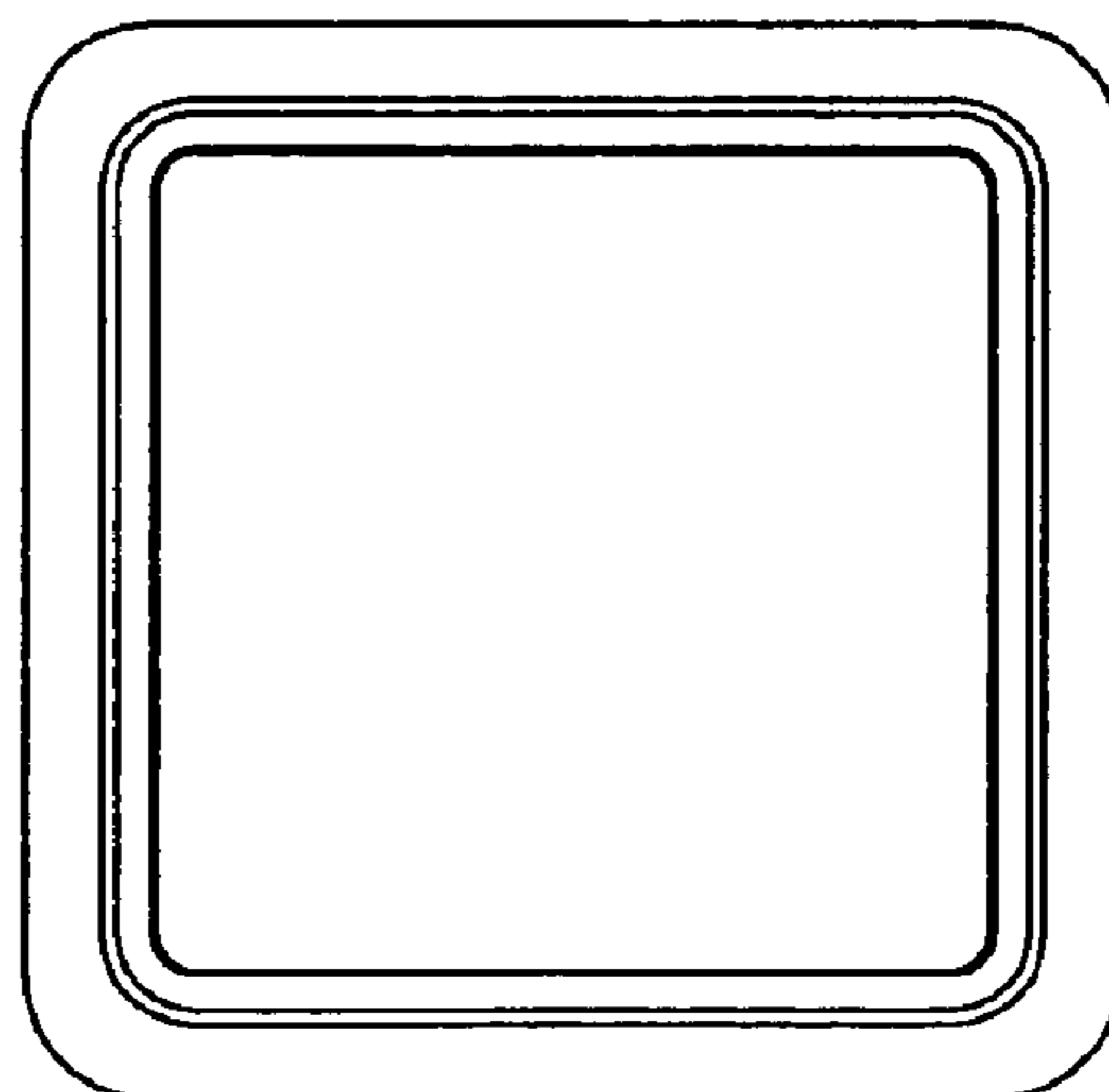


FIG.4

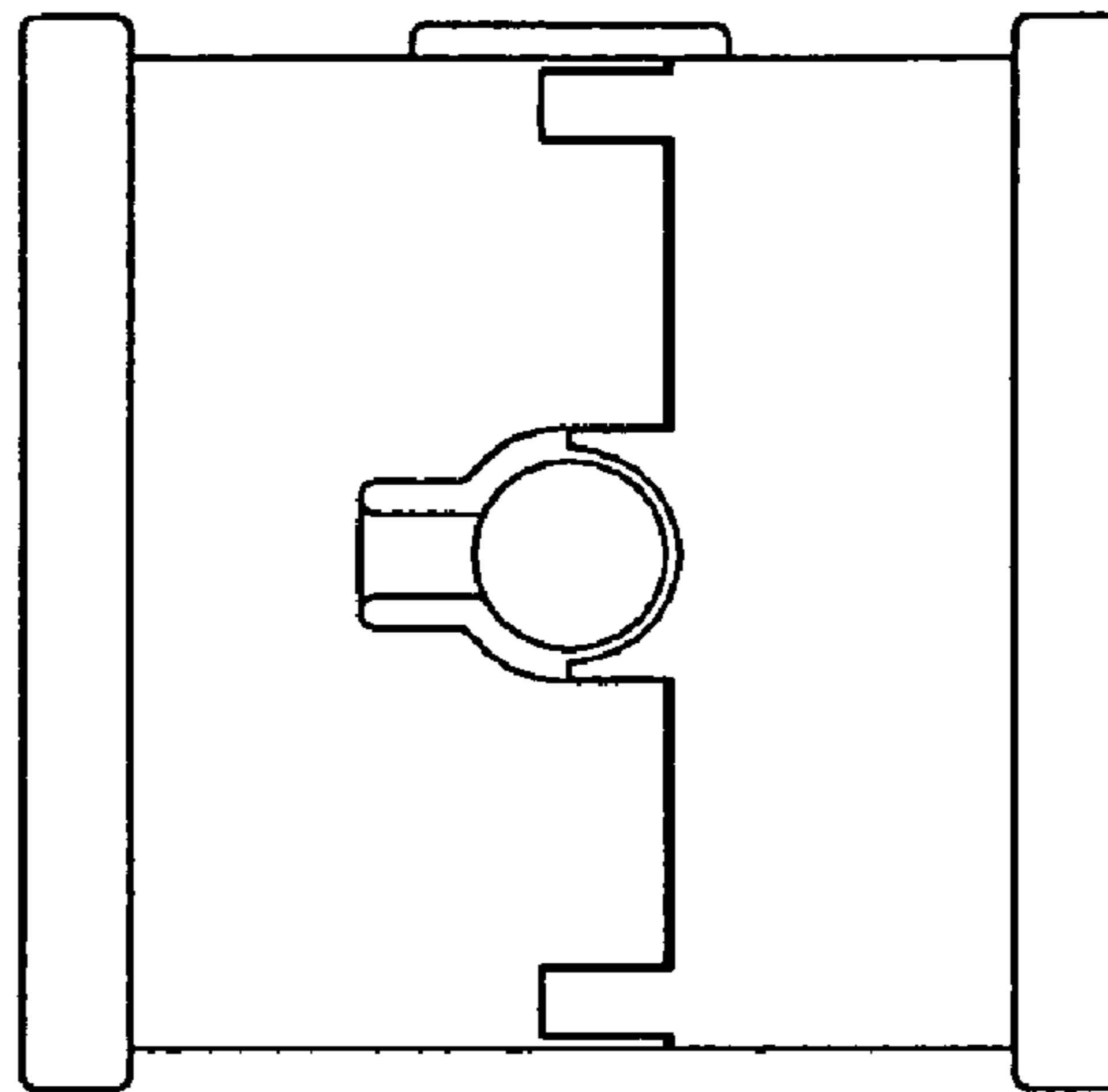


FIG.5

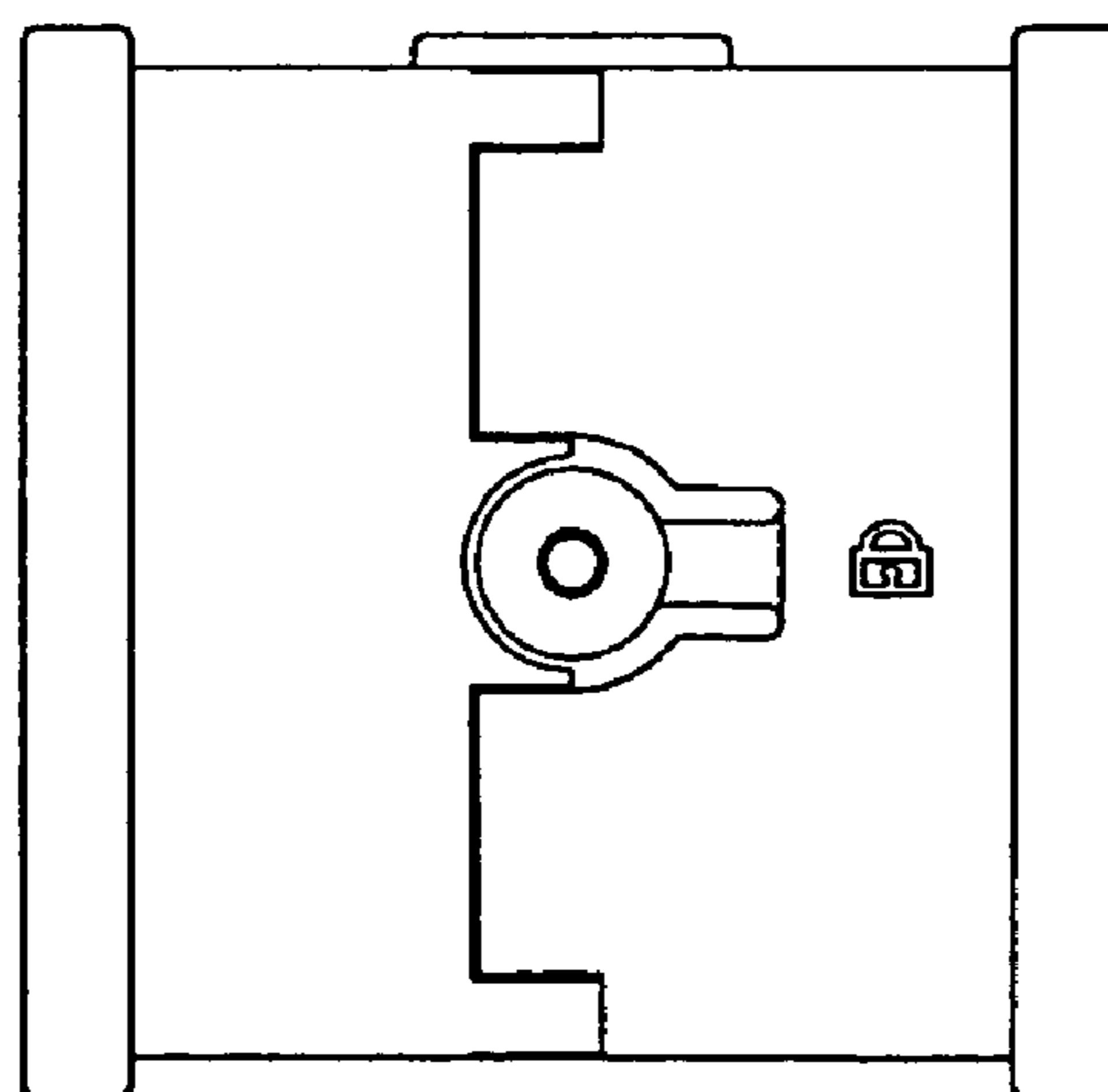


FIG.6

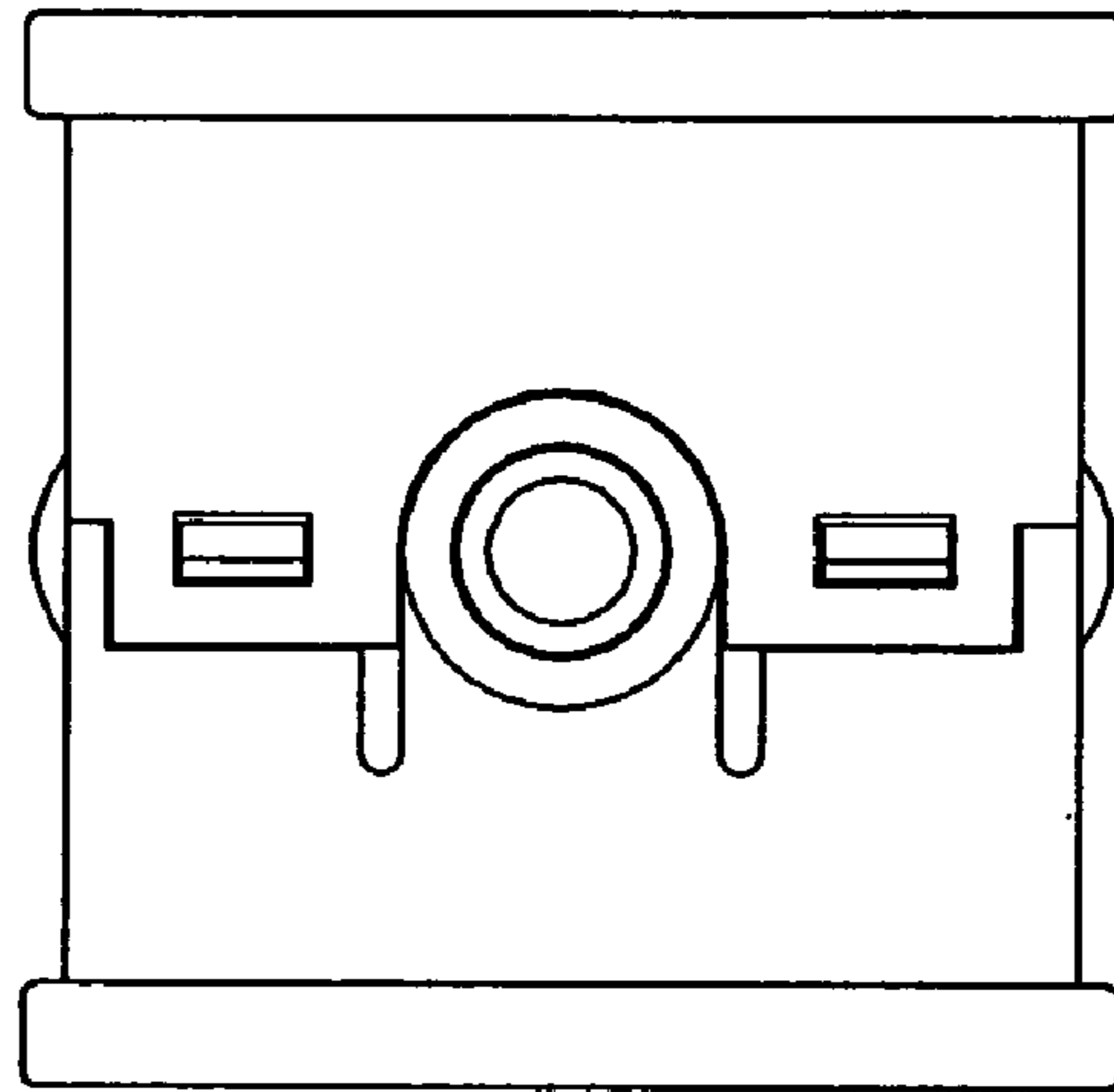


FIG.7

