



US00D552126S

(12) **United States Design Patent**
Lewis

(10) **Patent No.:** **US D552,126 S**

(45) **Date of Patent:** **** Oct. 2, 2007**

(54) **COMMUNICATIONS DEVICE**

(76) Inventor: **Marcus Lewis**, Whitfield Court,
Glewstone, Ross on Wye, Herefordshire
(GB) HR9 6AS

(**) Term: **14 Years**

(21) Appl. No.: **29/261,772**

(22) Filed: **Jun. 20, 2006**

(51) **LOC (8) Cl.** **14-03**

(52) **U.S. Cl.** **D14/496; D14/156**

(58) **Field of Classification Search** D14/496,
D14/401, 435, 474, 483, 217, 137, 138, 160,
D14/168; 345/156, 169, 173-179, 905; 715/727-729,
715/864; 455/11.1, 773, 344-347, 93, 95;
370/342-344; 369/1, 2, 6, 12; 463/43-47;
273/148 B

See application file for complete search history.

(56) **References Cited**

U.S. PATENT DOCUMENTS

5,349,575 A * 9/1994 Park 369/1
D373,347 S * 9/1996 Ashley et al. D14/343
5,859,594 A * 1/1999 King et al. 340/7.55
6,768,899 B2 * 7/2004 Janninck et al. 455/90.3
D493,779 S * 8/2004 Lee D14/156
6,769,603 B2 * 8/2004 Nagai et al. 235/375

6,795,318 B2 * 9/2004 Haas et al. 361/729
D504,409 S * 4/2005 Kim D14/156
7,023,389 B2 * 4/2006 Demicco et al. 343/702
D521,023 S * 5/2006 Kim et al. D14/496

* cited by examiner

Primary Examiner—Prabhakar Deshmukh

(74) *Attorney, Agent, or Firm*—Skinner & Associates

(57) **CLAIM**

The ornamental design for a communications device, as shown.

DESCRIPTION

FIG. 1 is a perspective view of the communications device.

FIG. 2 is a top view of the communications device.

FIG. 3 is a front view of the communications device.

FIG. 4 is a left side view of the communications device.

FIG. 5 is a bottom view of the communications device.

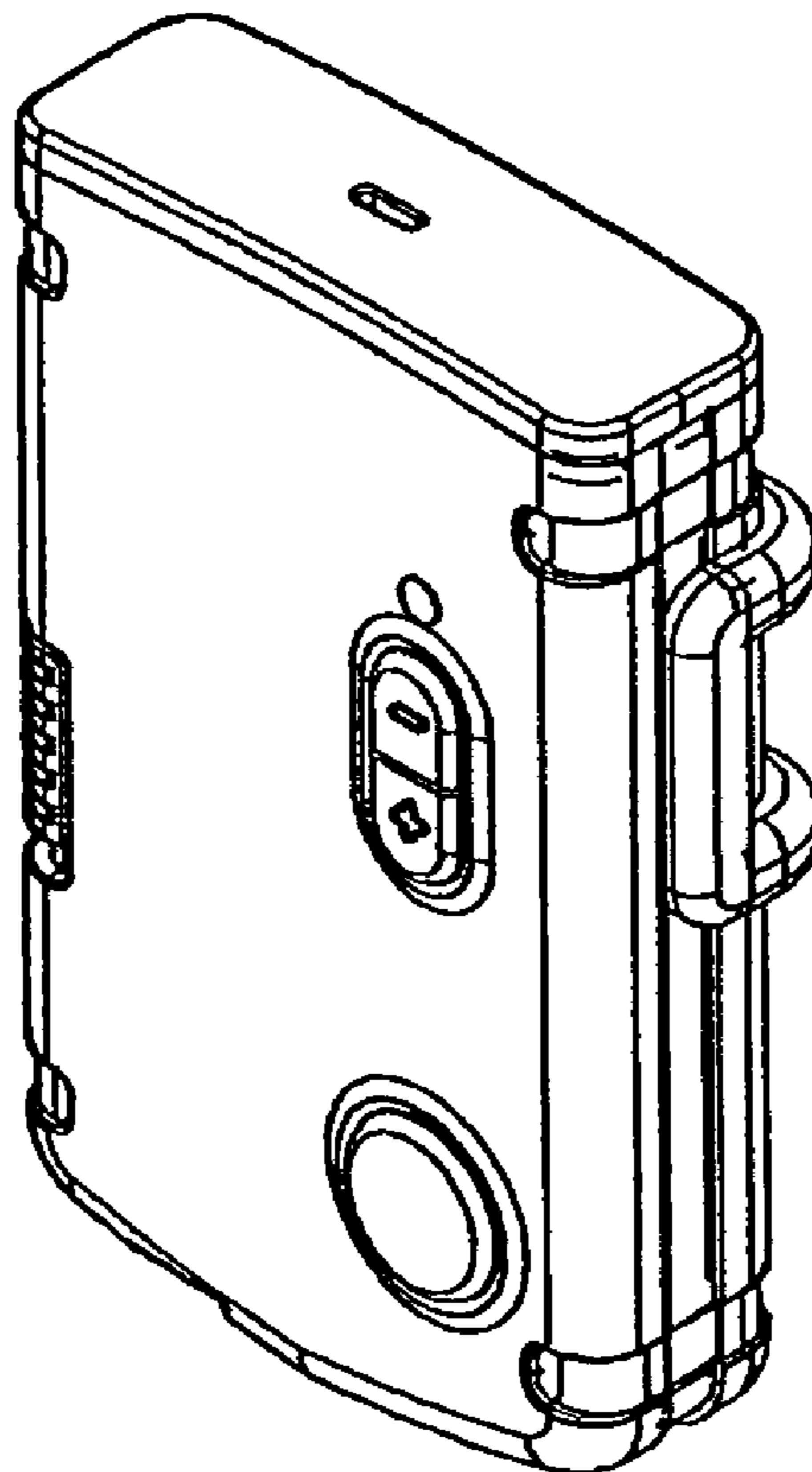
FIG. 6 is a right side view of the communications device.

FIG. 7 is a rear view of the communications device; and,

FIG. 8 is a rear perspective view of the communications device.

FIGS. 2 and 5 are shown in an enlarged scale and FIG. 1 is shown in reduced scale with respect to FIGS. 3-4, and 6-8.

1 Claim, 8 Drawing Sheets



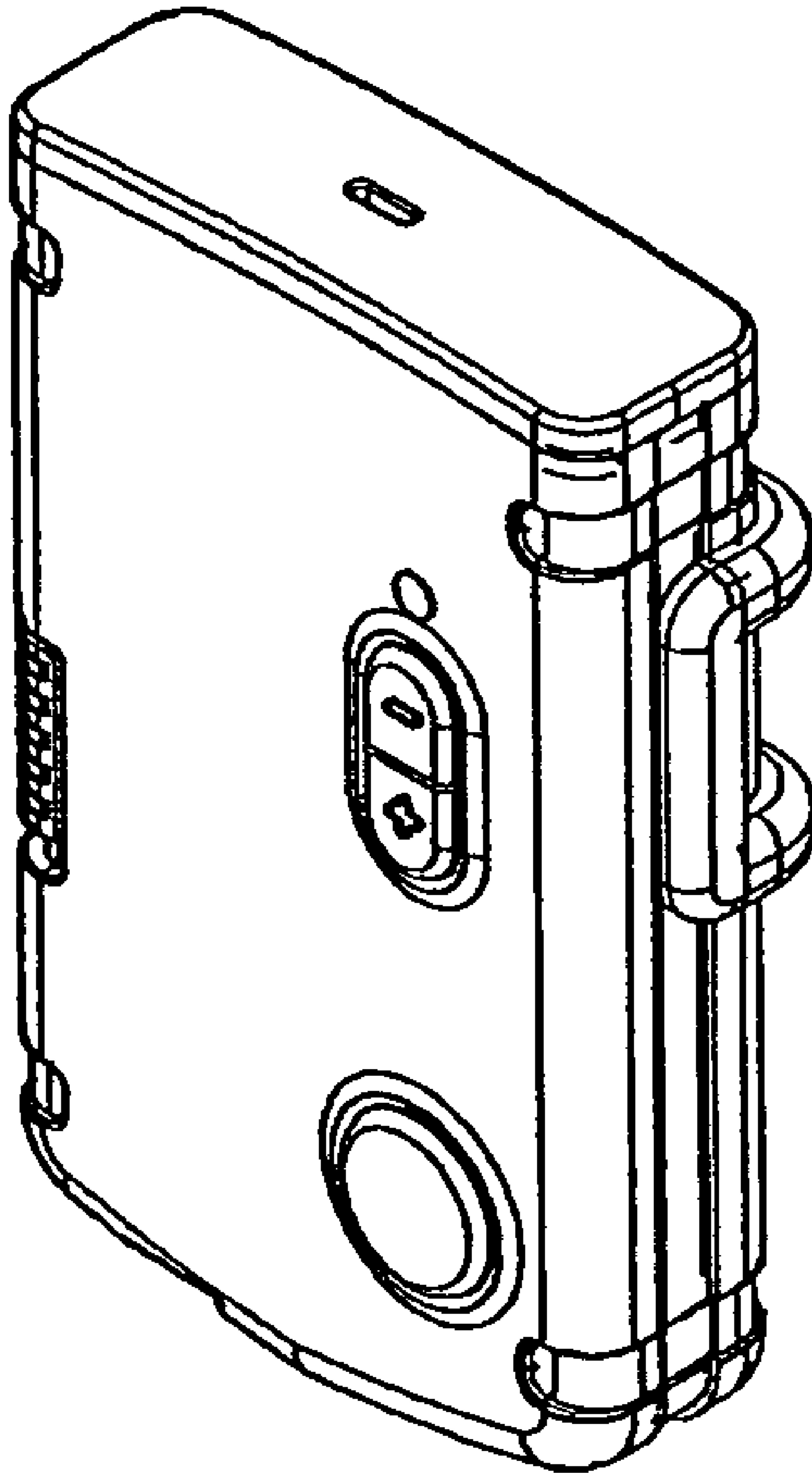


Figure 1

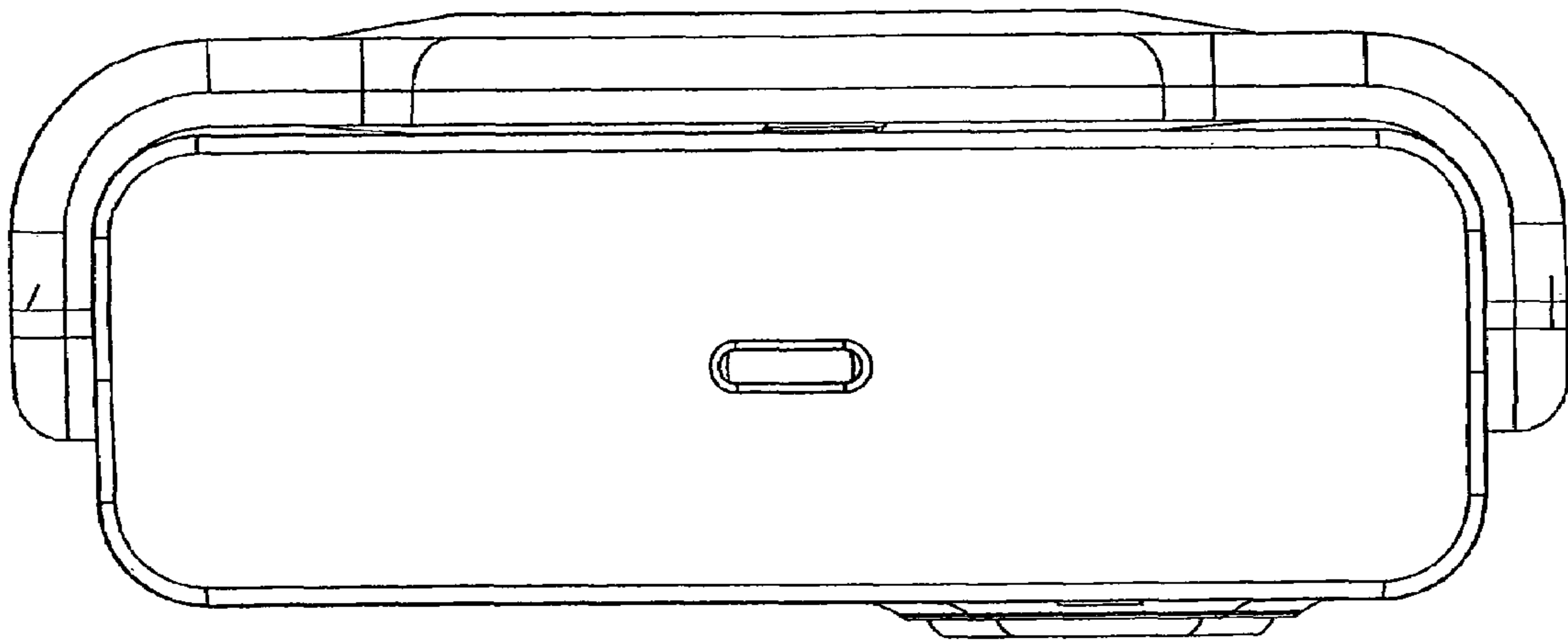


Figure 2

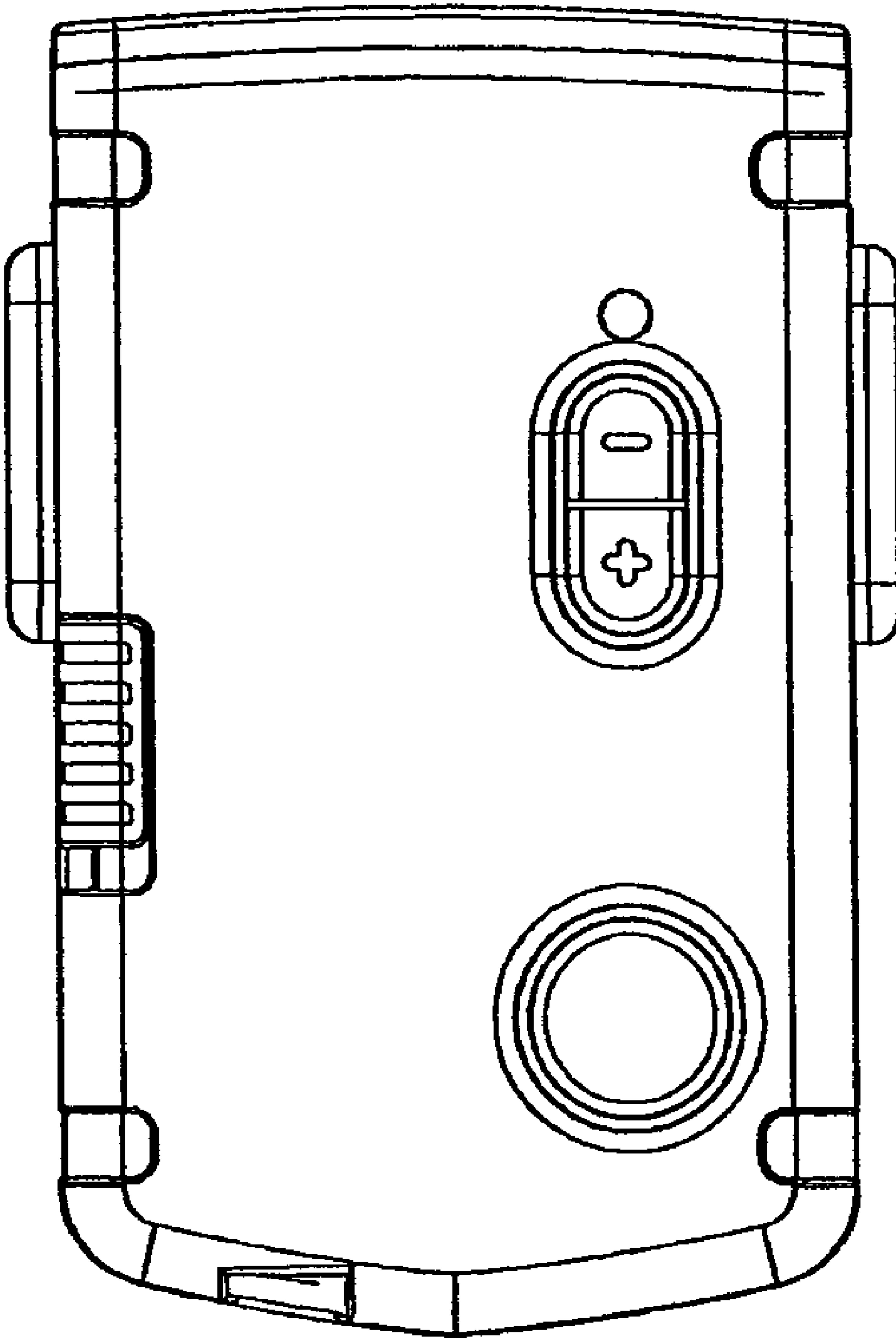


Figure 3

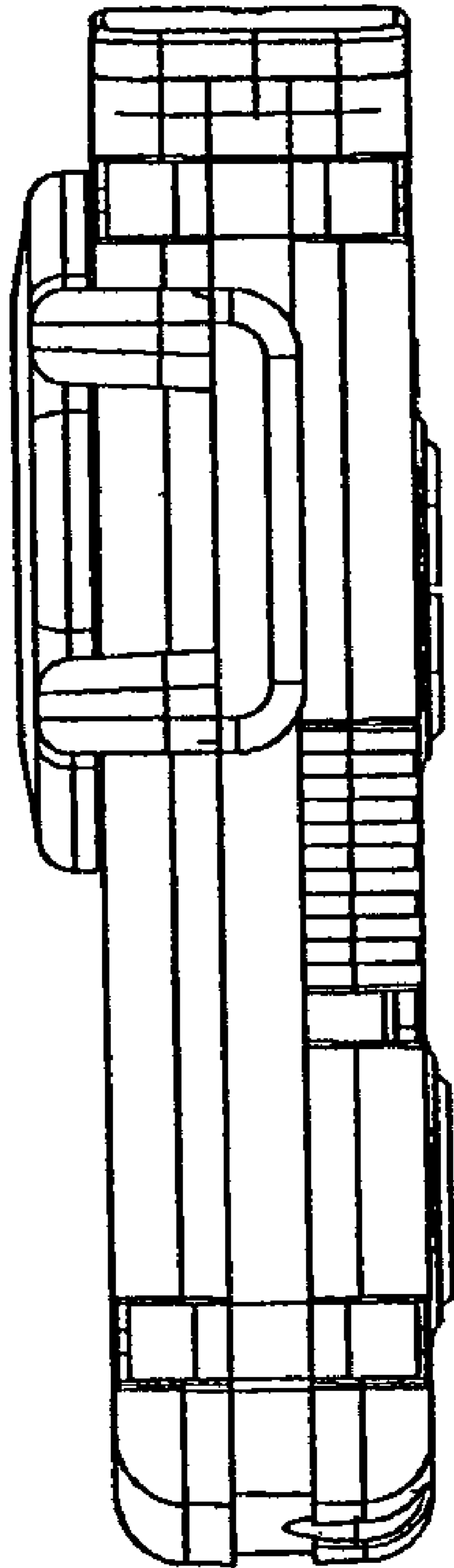


Figure 4

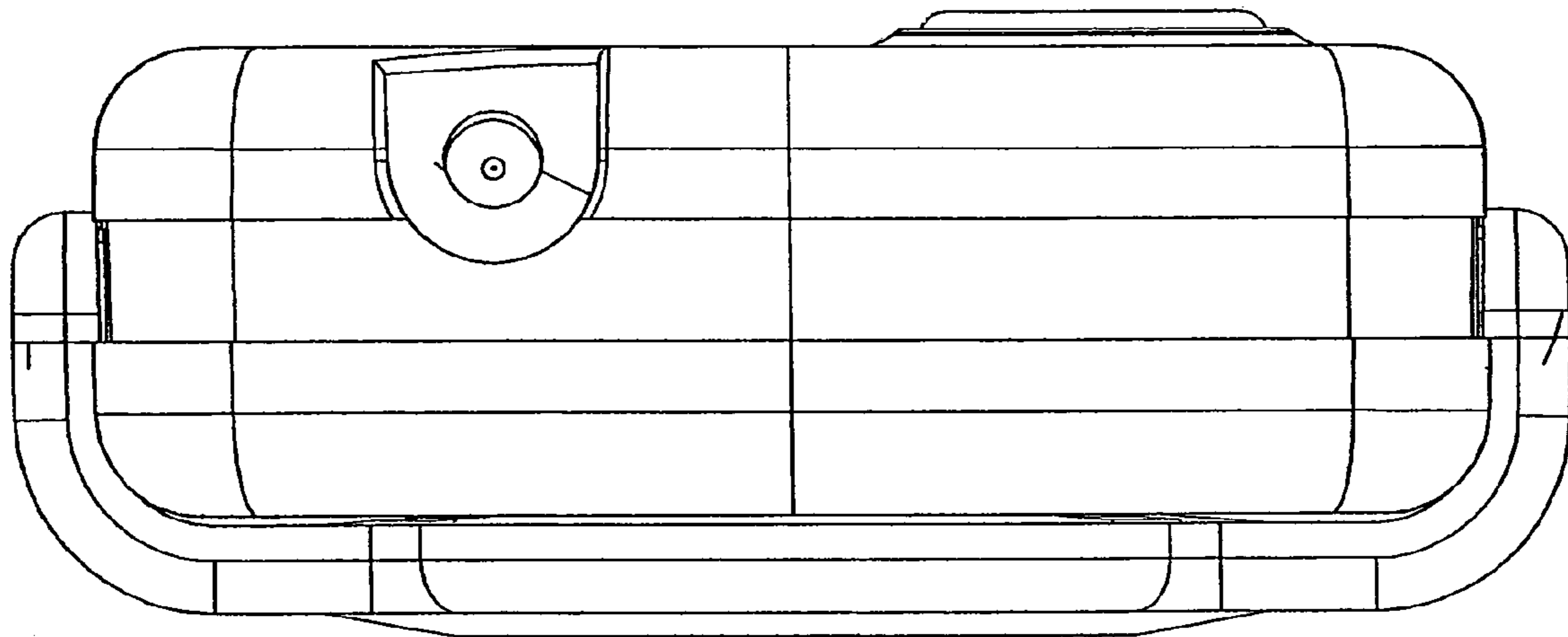


Figure 5

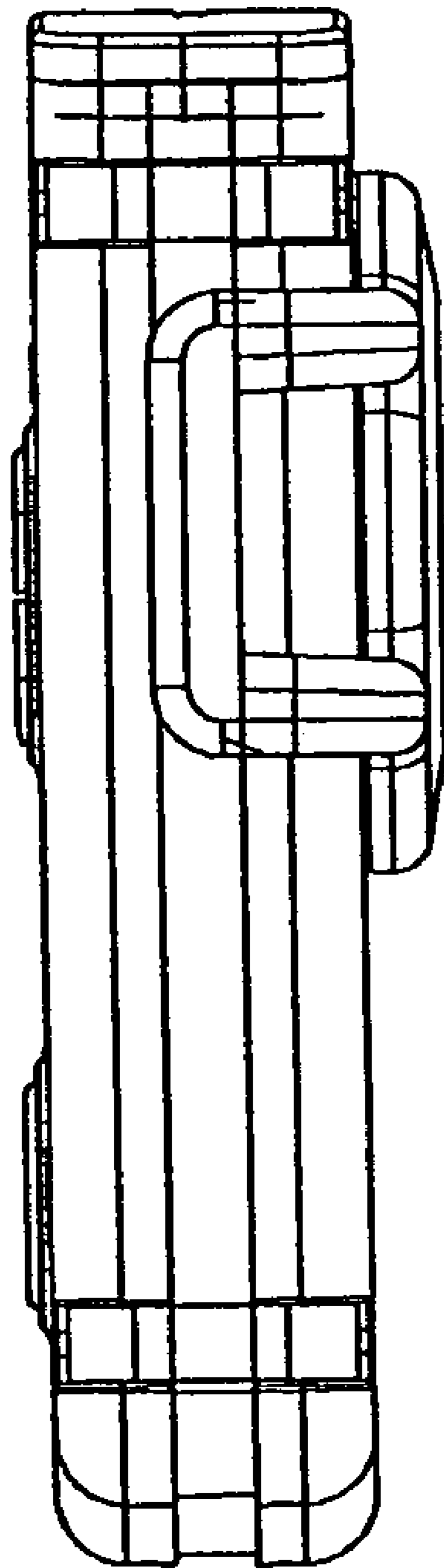


Figure 6

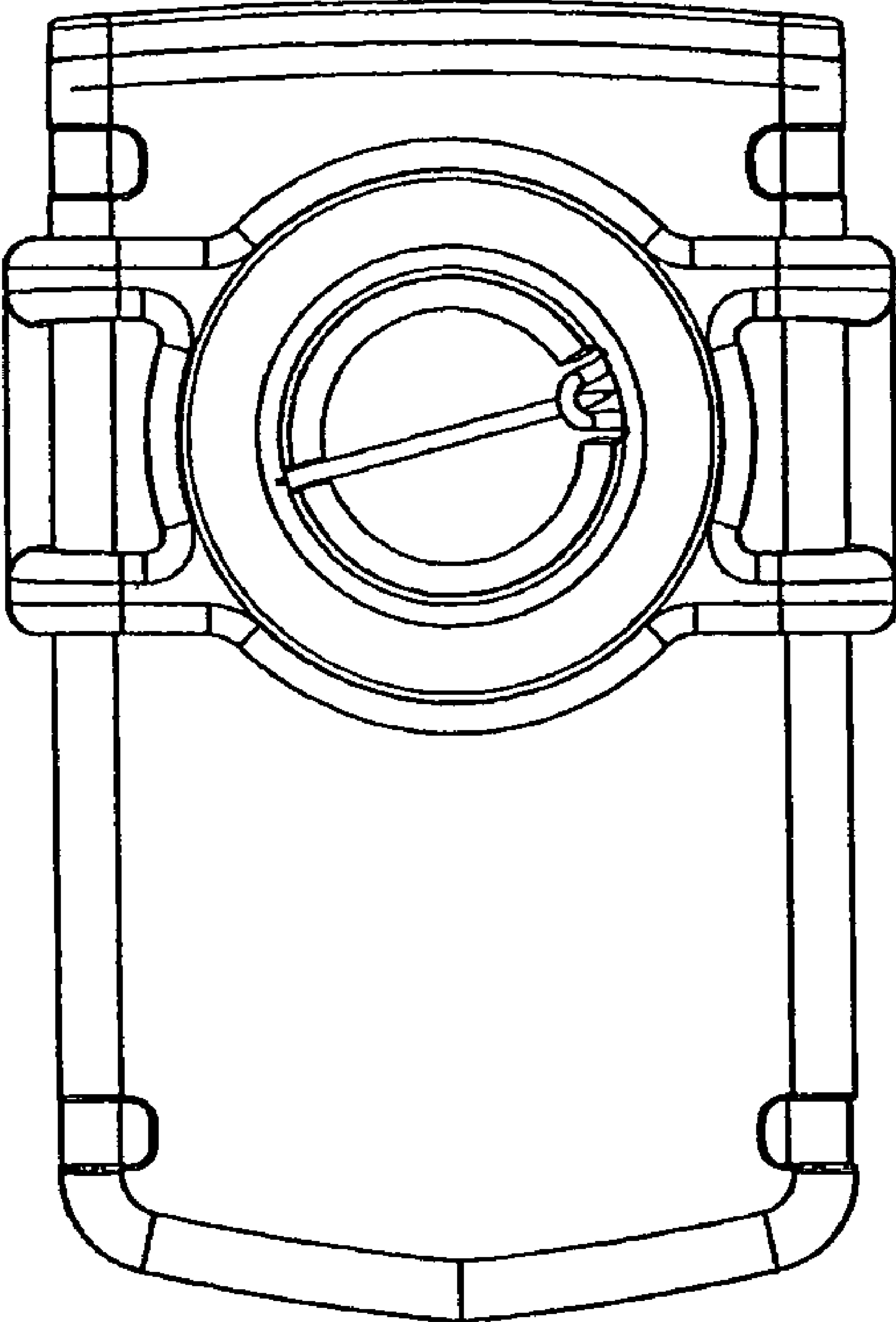


Figure 7

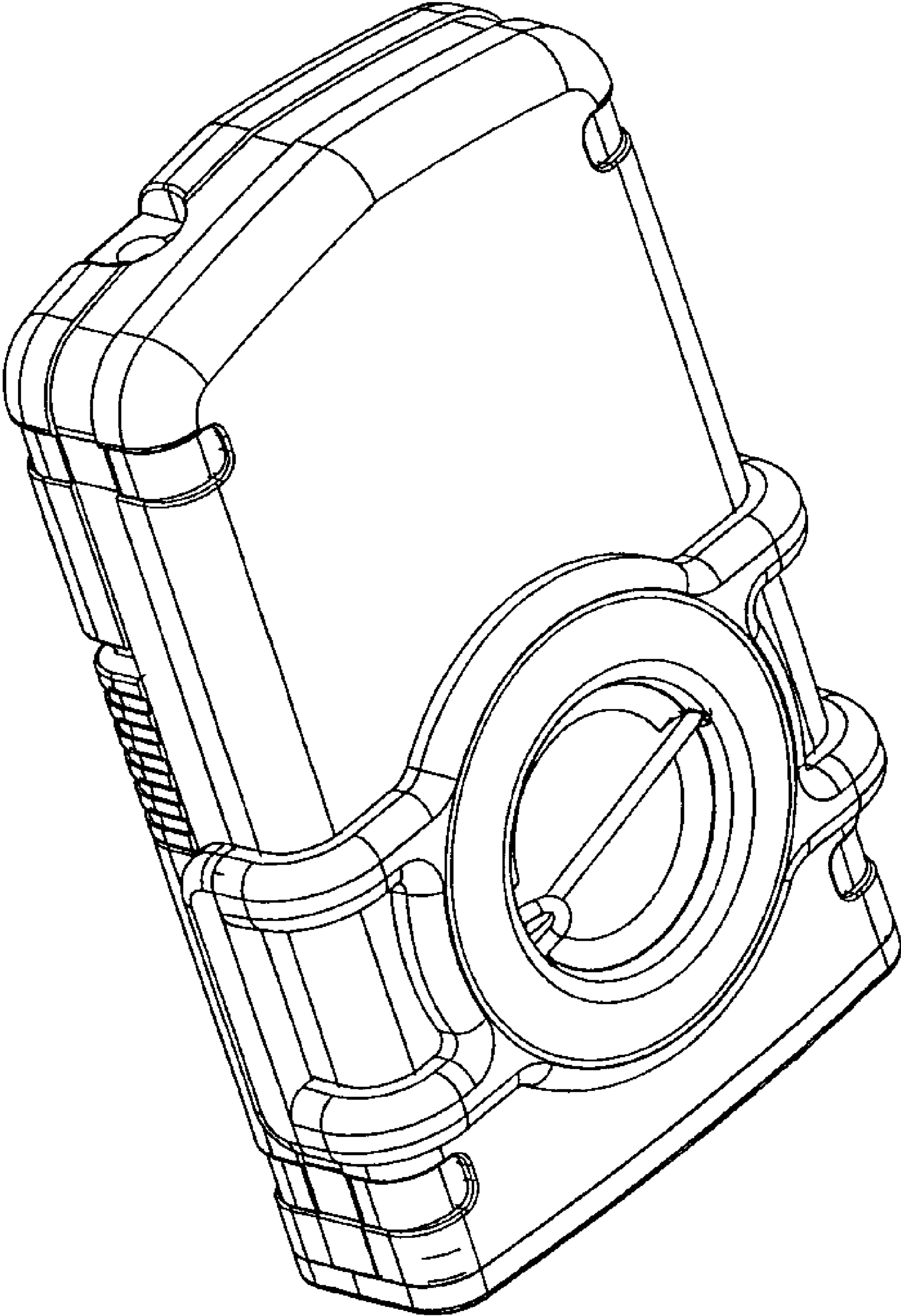


Figure 8