



US00D552123S

(12) **United States Design Patent**
Niijima

(10) **Patent No.:** **US D552,123 S**

(45) **Date of Patent:** **** Oct. 2, 2007**

(54) **COMPUTER GENERATED IMAGE FOR A DISPLAY PANEL OR SCREEN**

2005/0204297 A1* 9/2005 Banatwala et al. 715/753

FOREIGN PATENT DOCUMENTS

(75) Inventor: **Makoto Niijima**, Tokyo (JP)

EM 000415286-0008 * 11/2005

(73) Assignee: **Sony Corporation**, Tokyo (JP)

* cited by examiner

(**) Term: **14 Years**

Primary Examiner—Robin Webster

Assistant Examiner—Karen E. Kearney

(21) Appl. No.: **29/242,407**

(74) *Attorney, Agent, or Firm*—Rader, Fishman & Grauer PLLC

(22) Filed: **Nov. 10, 2005**

(57) **CLAIM**

(51) **LOC (8) Cl.** **14-04**

(52) **U.S. Cl.** **D14/493**

(58) **Field of Classification Search** D14/485-95;
D18/24-33; D19/6; D20/11; 715/700-867,
715/973-7

The ornamental design for a computer generated image for a display panel or screen, as shown and described.

See application file for complete search history.

DESCRIPTION

(56) **References Cited**

U.S. PATENT DOCUMENTS

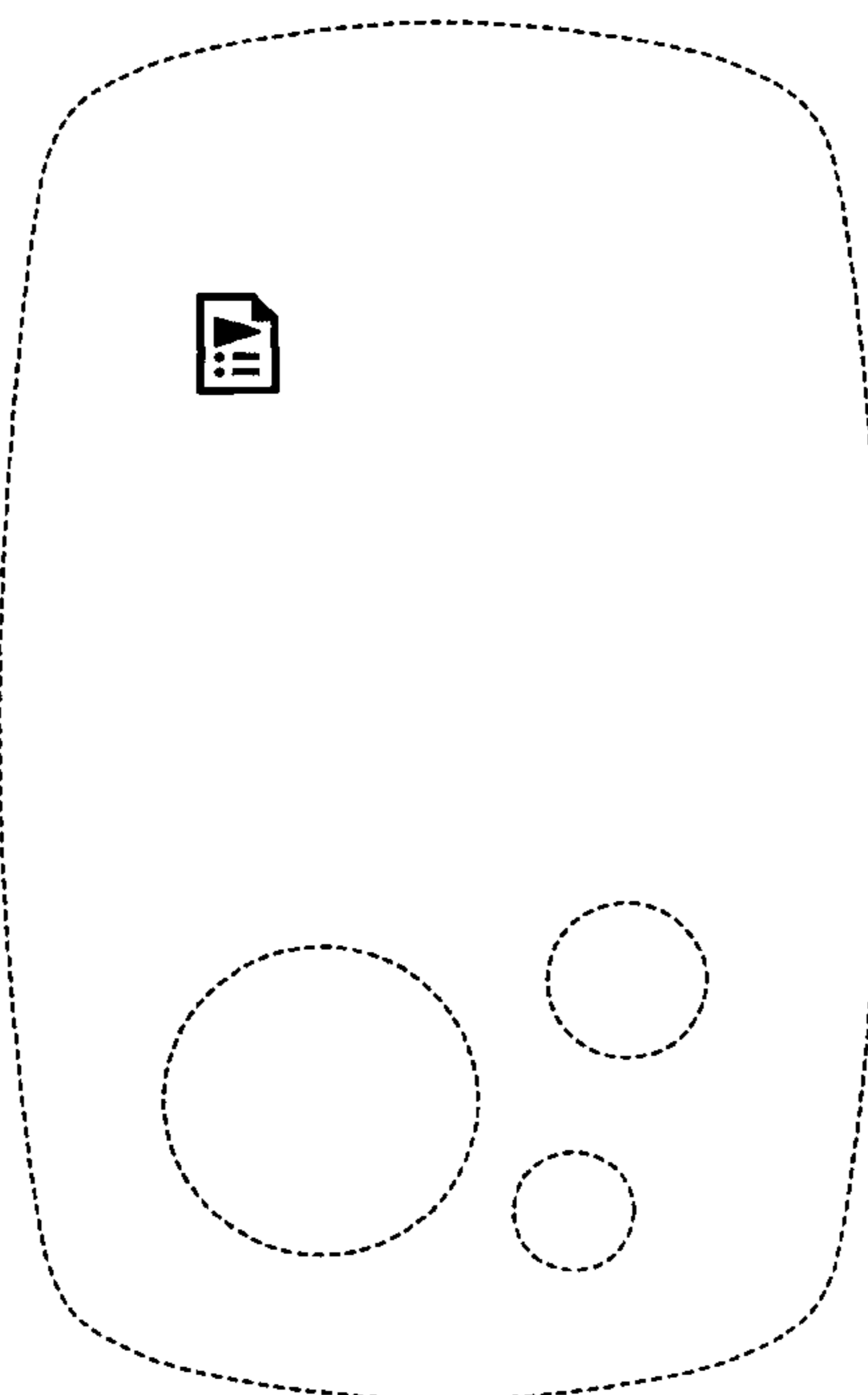
5,461,399	A *	10/1995	Cragun	715/729
5,539,869	A *	7/1996	Spoto et al.	715/500.1
5,623,592	A *	4/1997	Carlson et al.	715/866
5,877,759	A *	3/1999	Bauer	719/317
5,963,204	A *	10/1999	Ikeda et al.	715/723
6,031,529	A *	2/2000	Migos et al.	715/783
D424,041	S	5/2000	Tambata		
D444,794	S	7/2001	Nashida et al.		
D453,167	S	1/2002	Hasegawa et al.		
2003/0007000	A1 *	1/2003	Carlson et al.	345/713
2003/0107587	A1 *	6/2003	Maritzen et al.	345/700
2003/0164847	A1 *	9/2003	Zaima et al.	345/723
2004/0095372	A1 *	5/2004	Berry et al.	345/713
2004/0221239	A1 *	11/2004	Hachigian et al.	715/762
2004/0268267	A1 *	12/2004	Moravcsik	715/821

FIG. 1 is a front elevational view of a computer generated image for a display panel or screen showing my new design; FIG. 2 is a front elevational view of a second image thereof; FIG. 3 is a front elevational view of a third image thereof; FIG. 4 is a front elevational view of a fourth image thereof; FIG. 5 is a front elevational view of a fifth image thereof; FIG. 6 is a front elevational view of a sixth image thereof; FIG. 7 is a front elevational view of a seventh image thereof; FIG. 8 is a front elevational view of an eighth image thereof; and,

FIG. 9 is a front elevational view of a ninth image thereof.

The broken line showing of a portion of a display panel or screen is for illustrating environmental structure and forms no part of the claimed design.

1 Claim, 9 Drawing Sheets



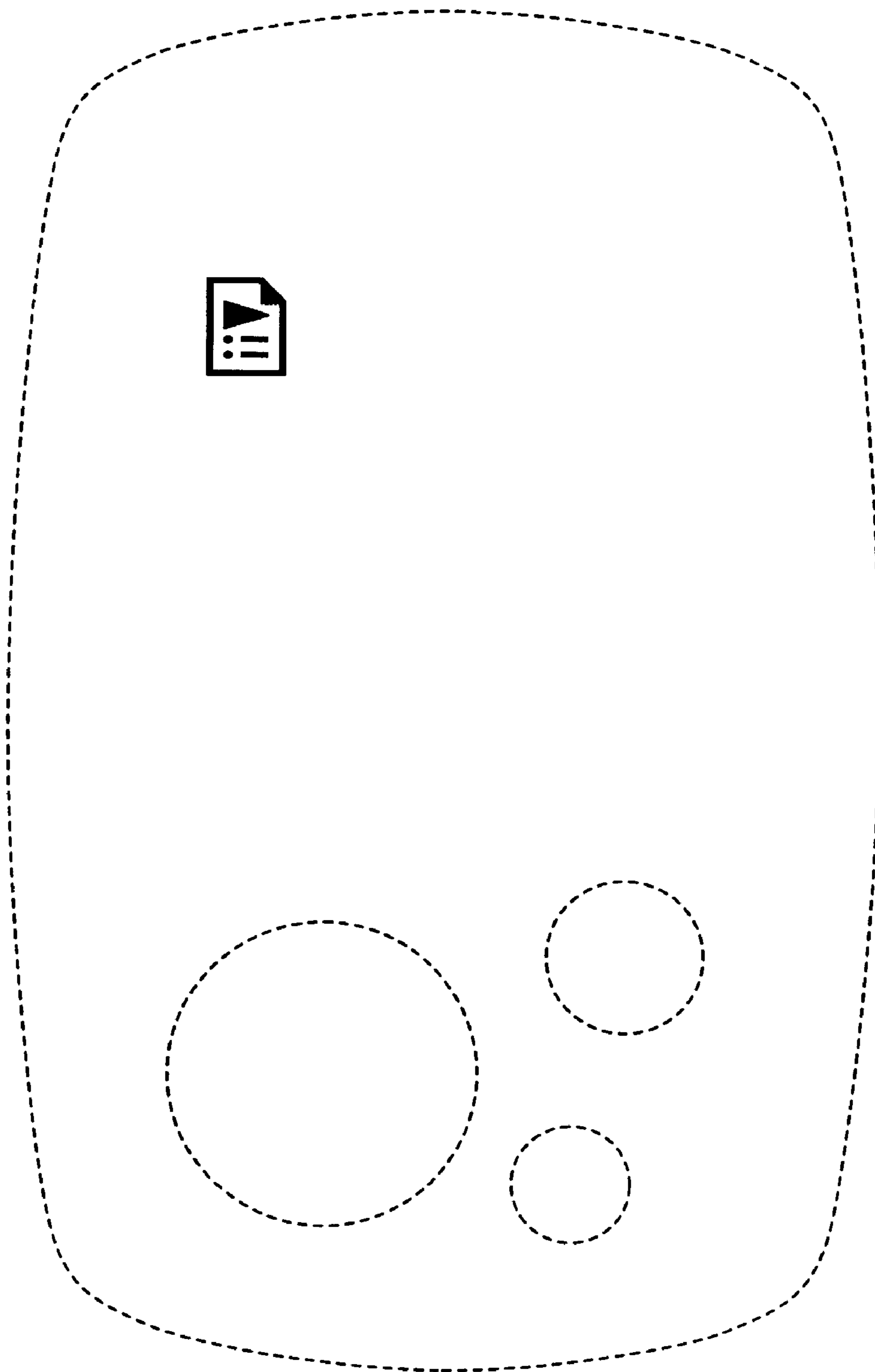


FIG. 1

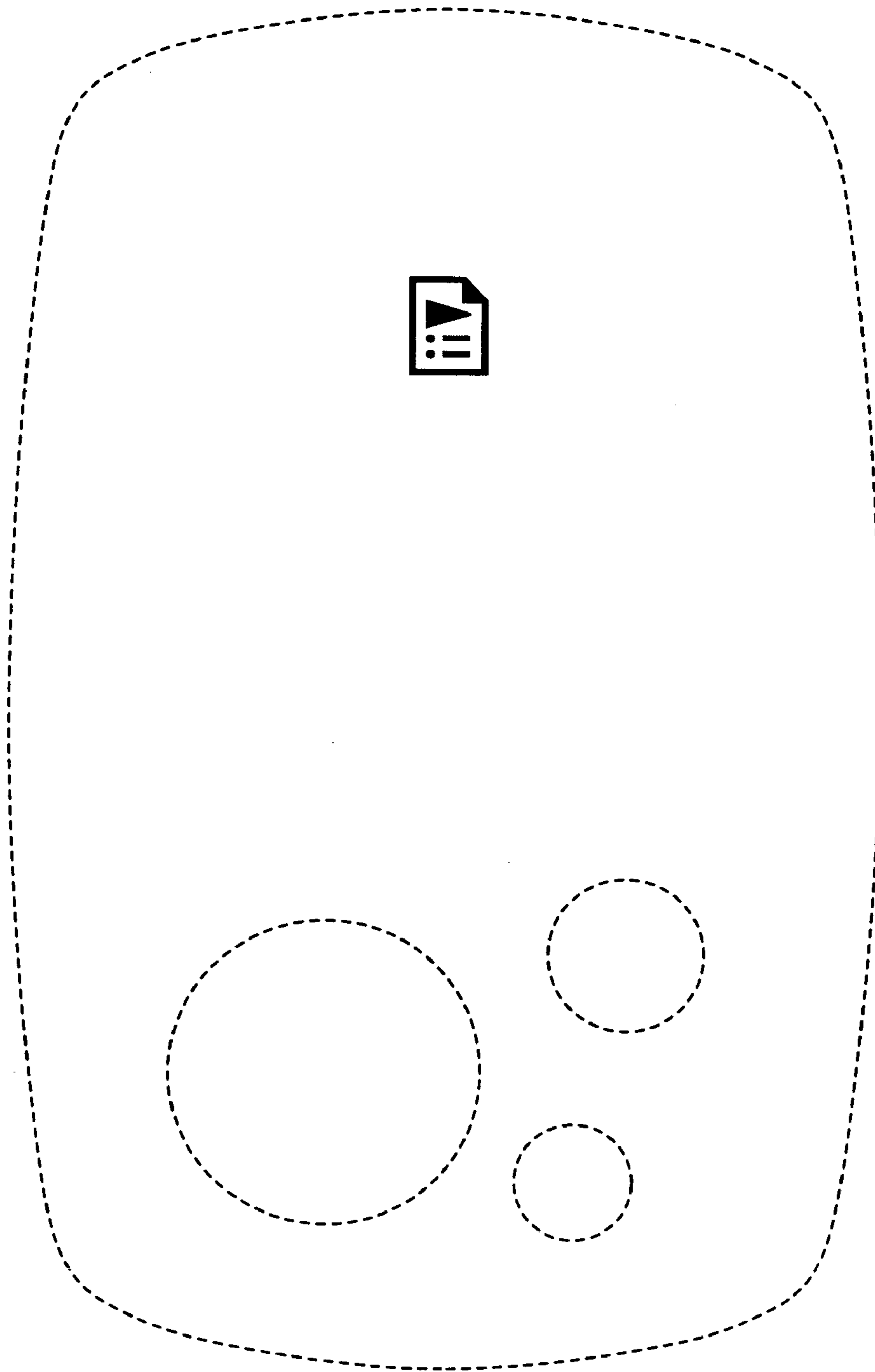


FIG. 2

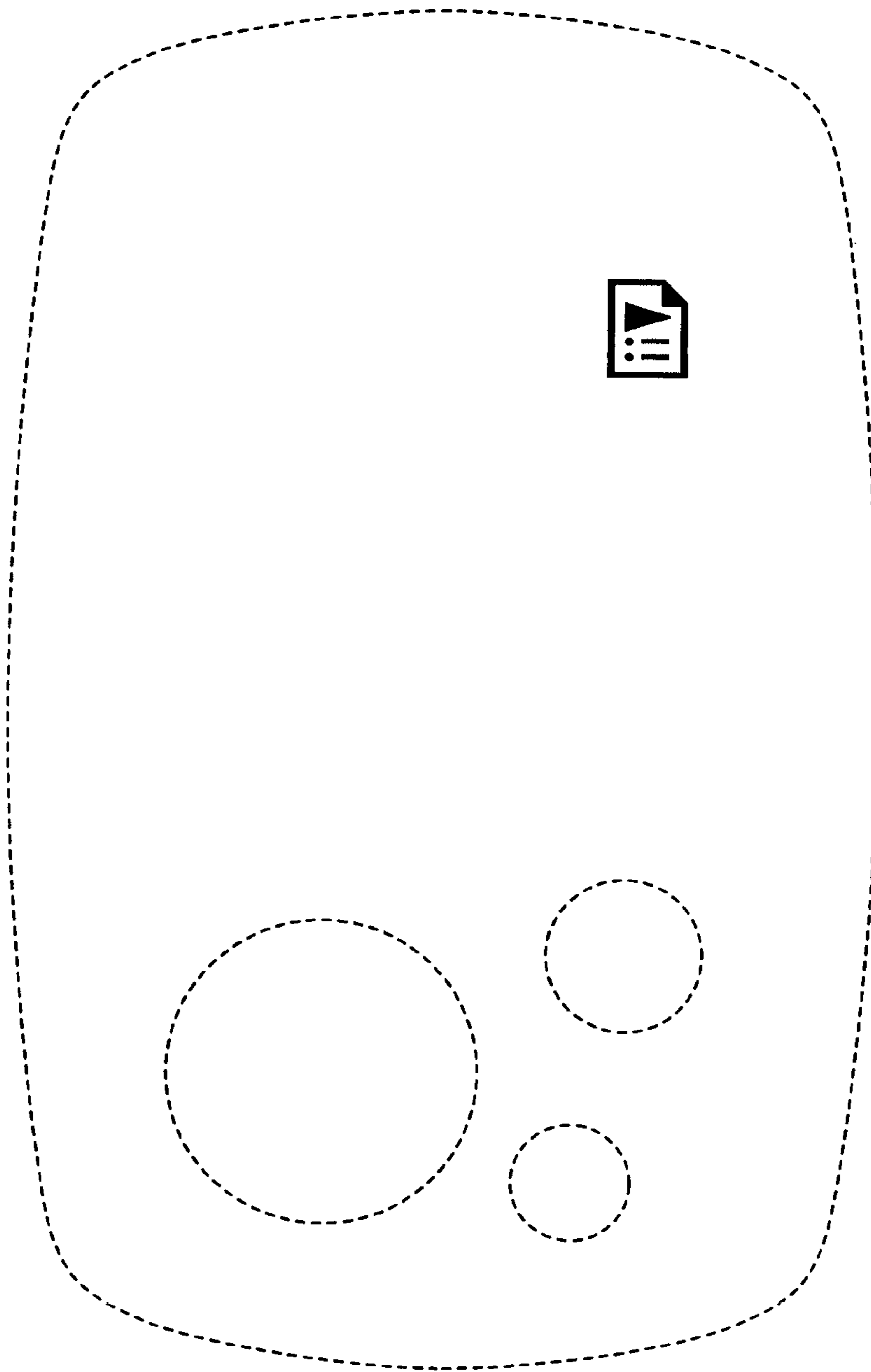


FIG. 3

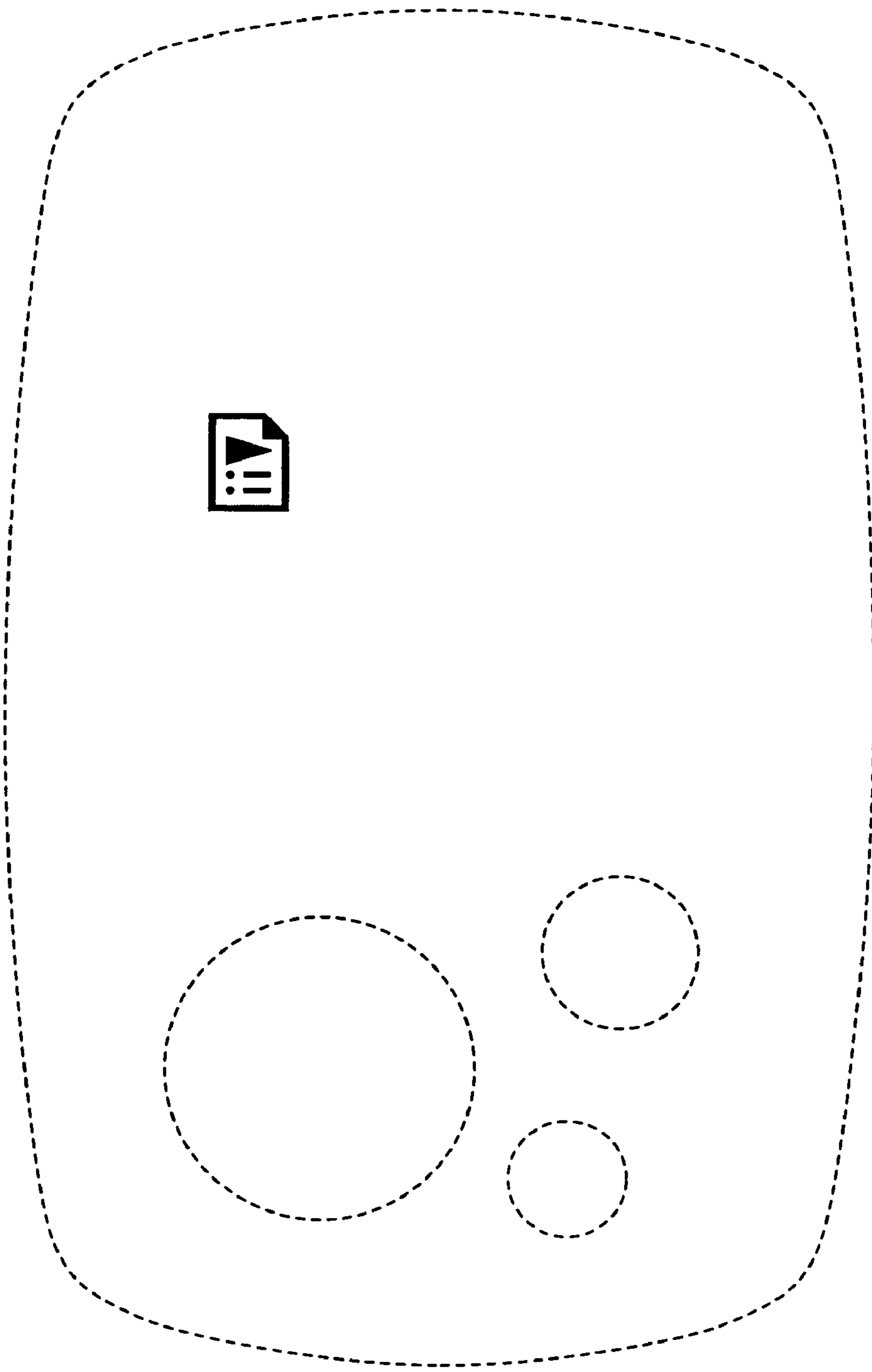


FIG. 4

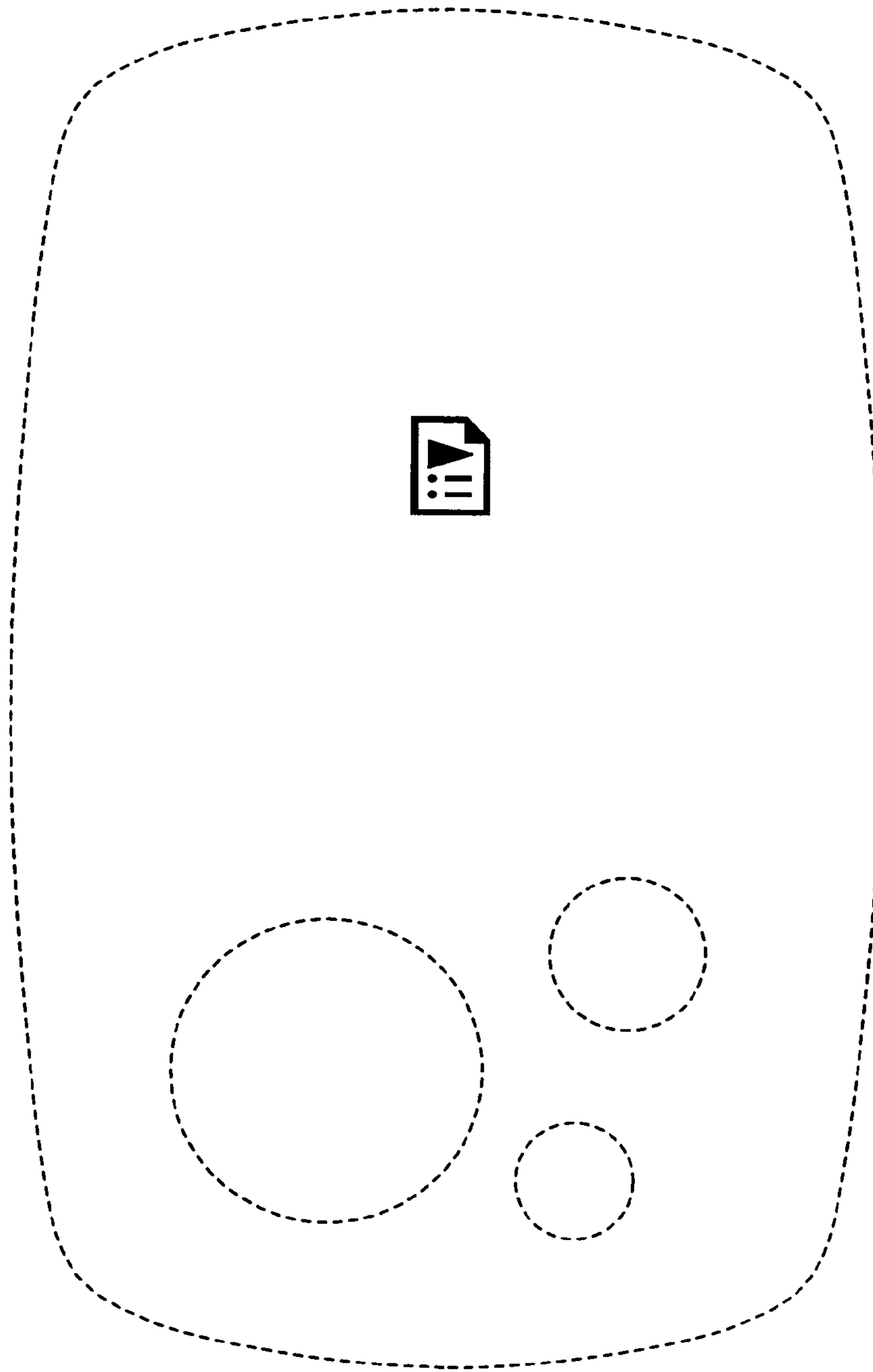


FIG. 5

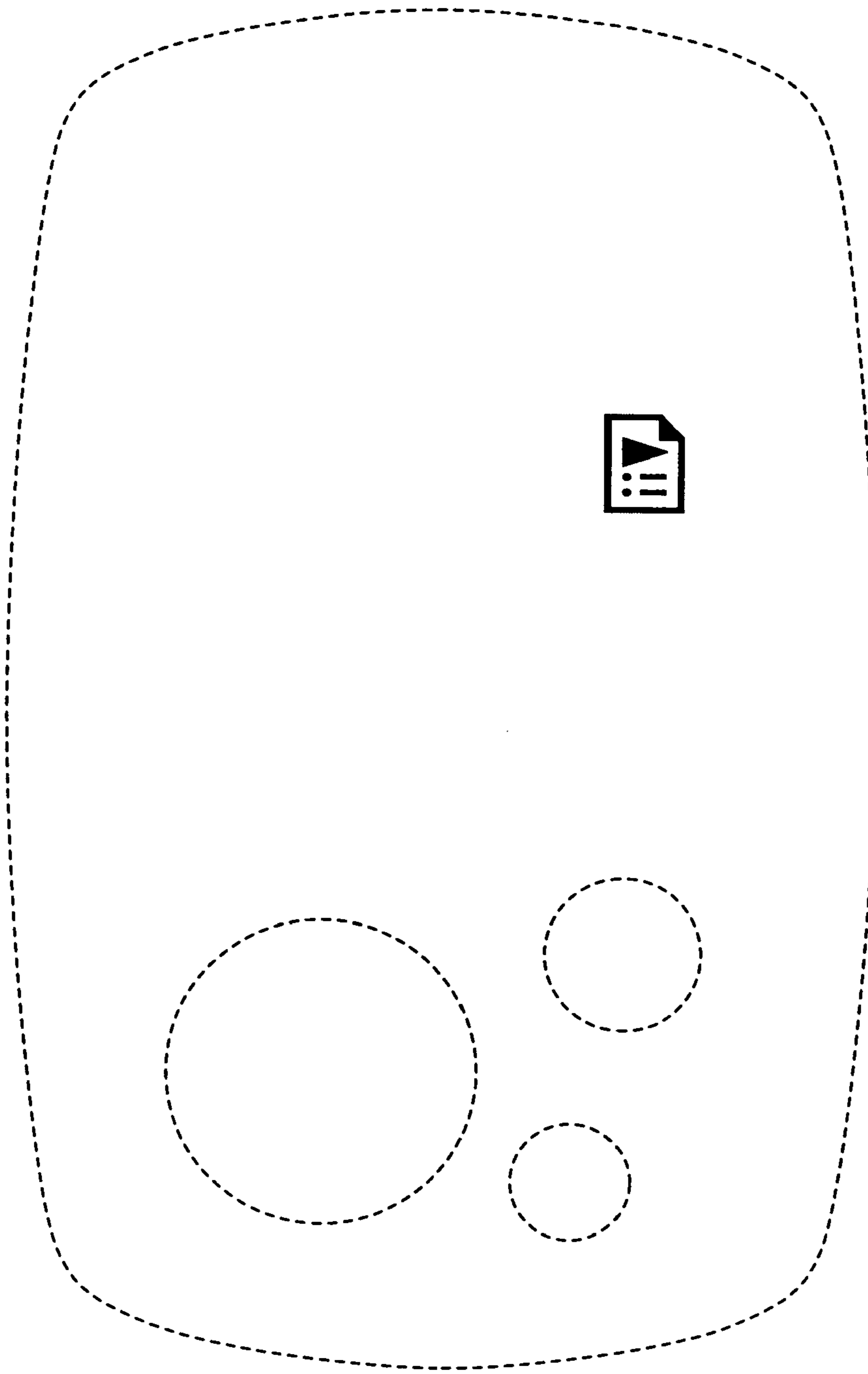


FIG. 6

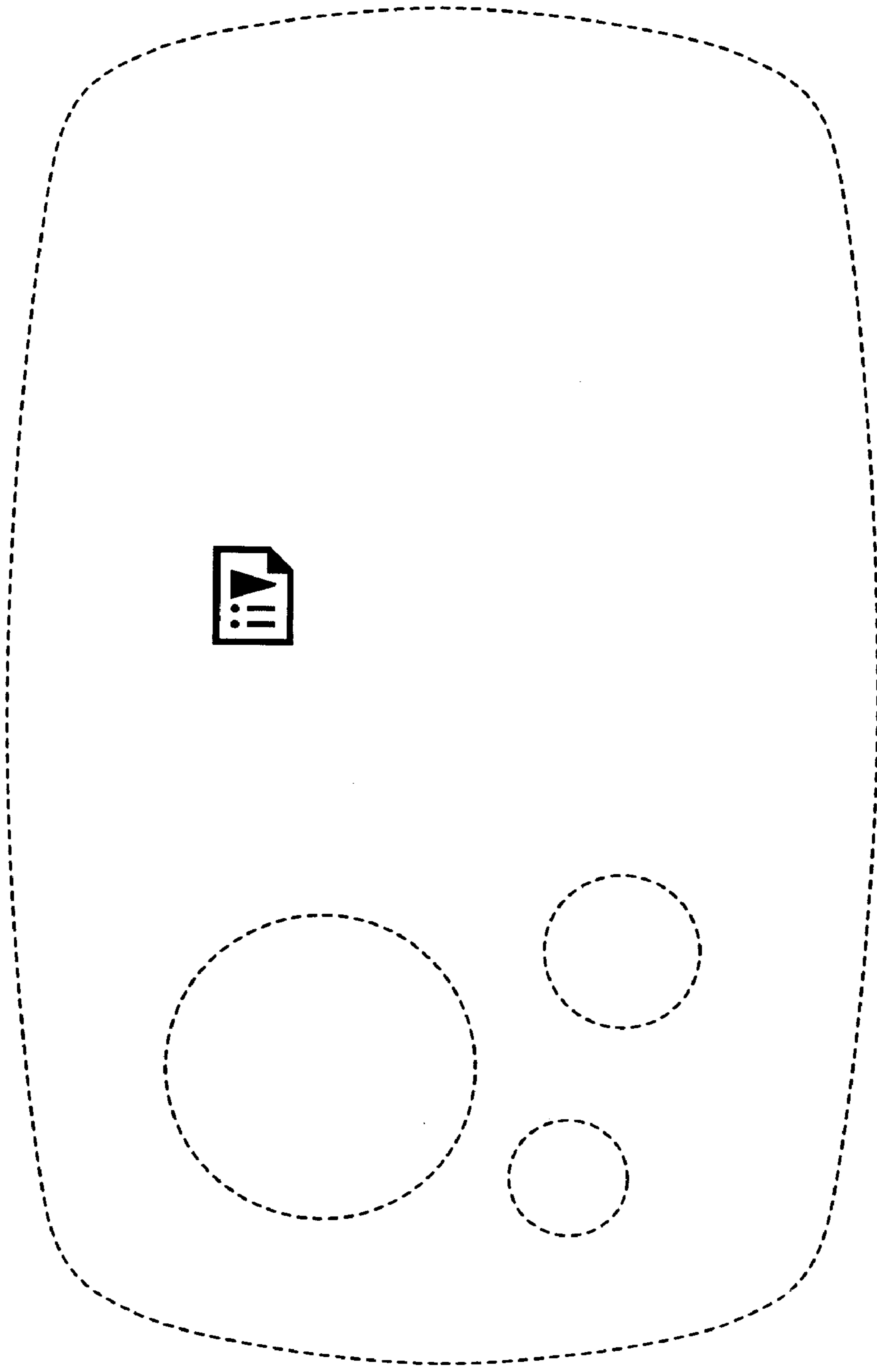


FIG. 7

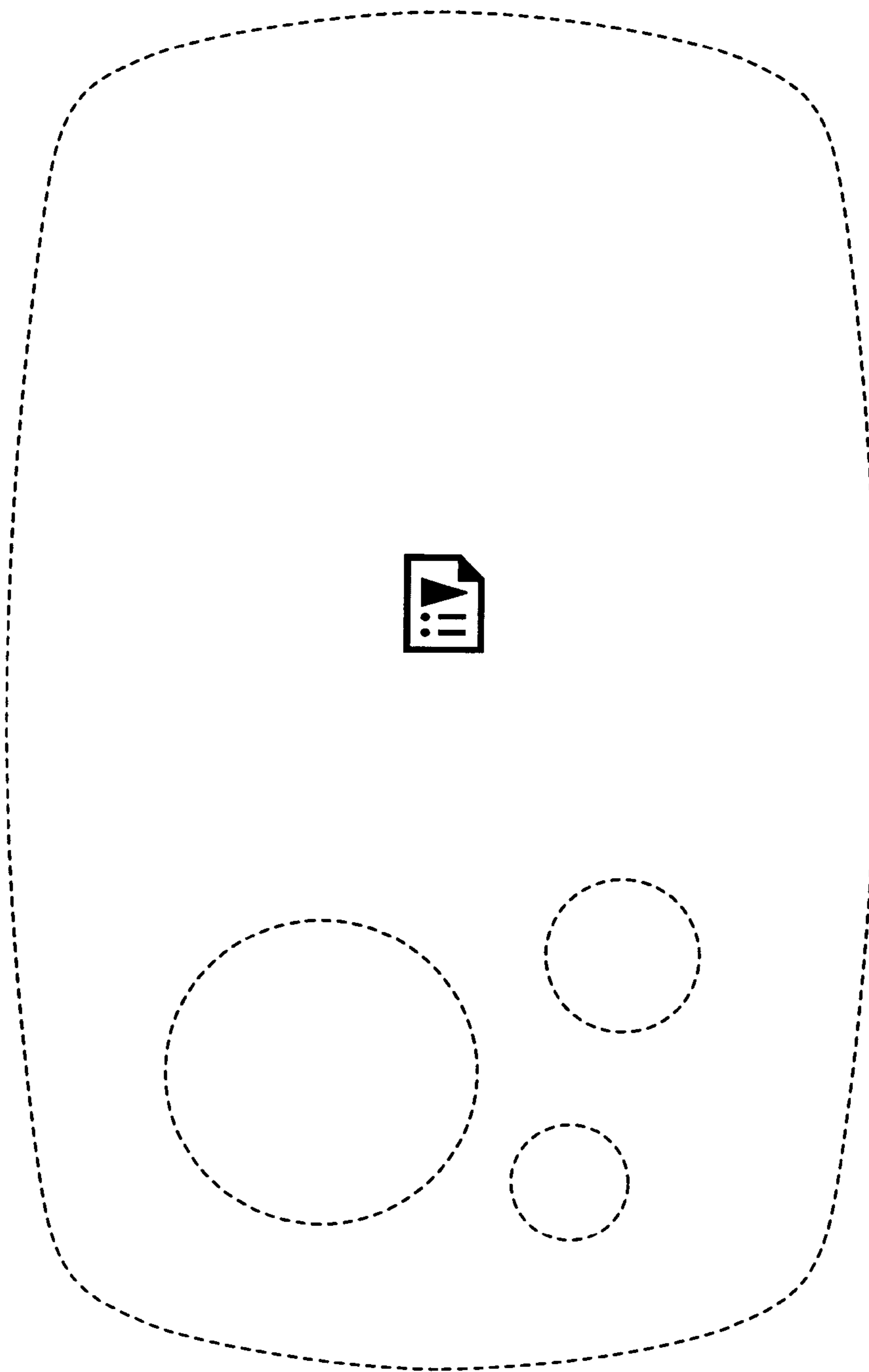


FIG. 8

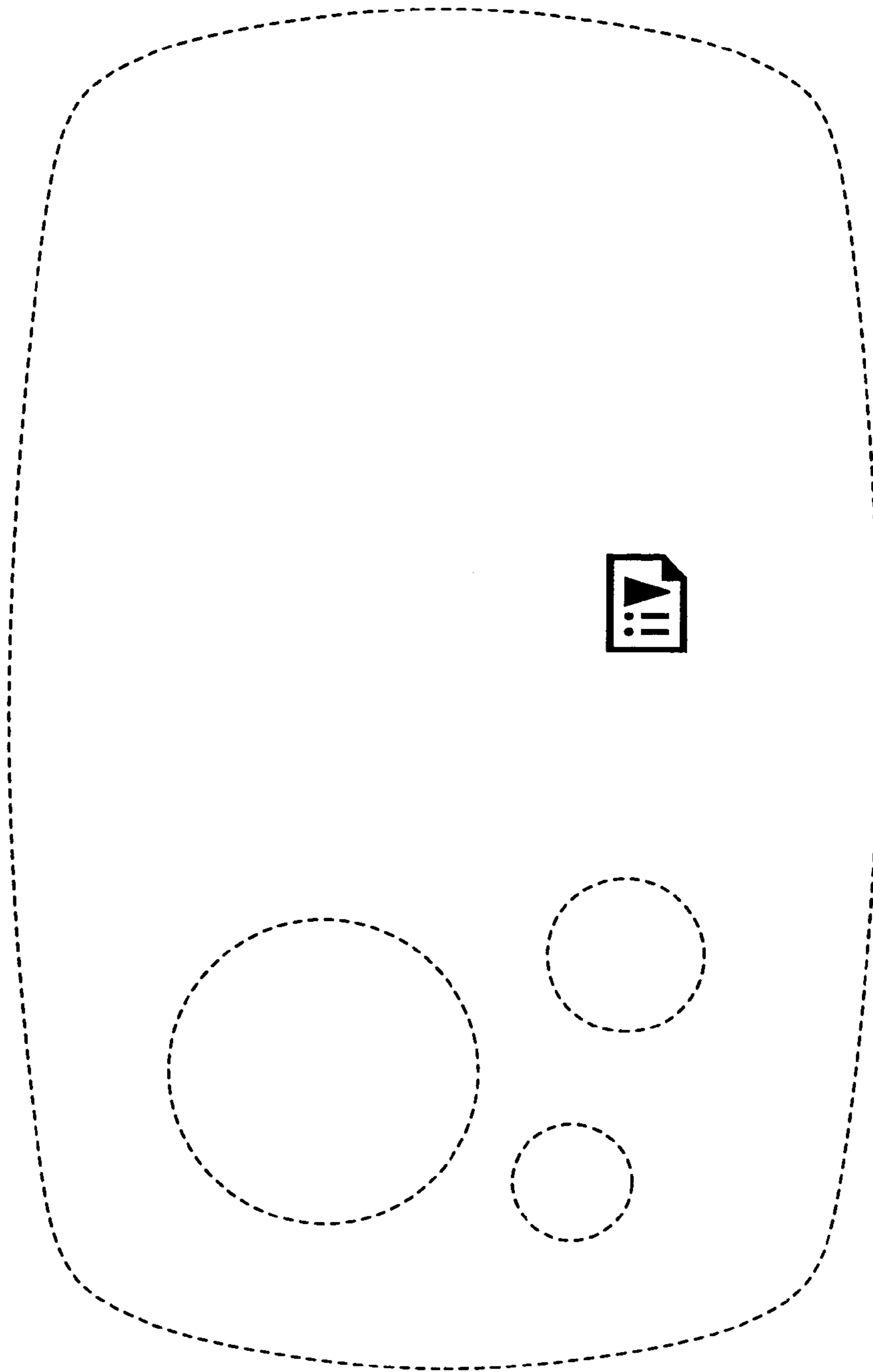


FIG. 9