



US00D552110S

(12) **United States Design Patent** (10) **Patent No.:** **US D552,110 S**
Li (45) **Date of Patent:** **** Oct. 2, 2007**

(54) **FRONT BEZEL FOR COMPUTER ENCLOSURE**

D500,501 S * 1/2005 Davis D14/441
D512,429 S * 12/2005 Su et al. D14/444
D523,437 S * 6/2006 Chen et al. D14/444

(75) Inventor: **Dong-Feng Li**, Shenzhen (CN)

* cited by examiner

(73) Assignee: **Hon Hai Precision Industry Co., Ltd.**,
Tu-Cheng, Taipei Hsien (TW)

Primary Examiner—Freda S Nunn

(74) *Attorney, Agent, or Firm*—Wei Te Chung

(**) Term: **14 Years**

(57) **CLAIM**

(21) Appl. No.: **29/261,938**

The ornamental design for a front bezel for computer enclosure, as shown and described.

(22) Filed: **Jun. 21, 2006**

(30) **Foreign Application Priority Data**

DESCRIPTION

Mar. 17, 2006 (CN) 2006 3 0055719

FIG. 1 is a perspective view of a front bezel for computer enclosure showing my new design;

(51) **LOC (8) Cl.** **14-02**

FIG. 2 is a front elevational view thereof;

(52) **U.S. Cl.** **D14/444**

FIG. 3 is a left side elevational view thereof;

(58) **Field of Classification Search** D14/441–446,
D14/308; D13/162, 184, 199; 312/223.2;
361/680–686, 690–696; 369/14, 34.01, 36.01
See application file for complete search history.

FIG. 4 is a right side elevational view thereof;

FIG. 5 is a top plan view thereof;

FIG. 6 is a bottom plan view thereof; and,

(56) **References Cited**

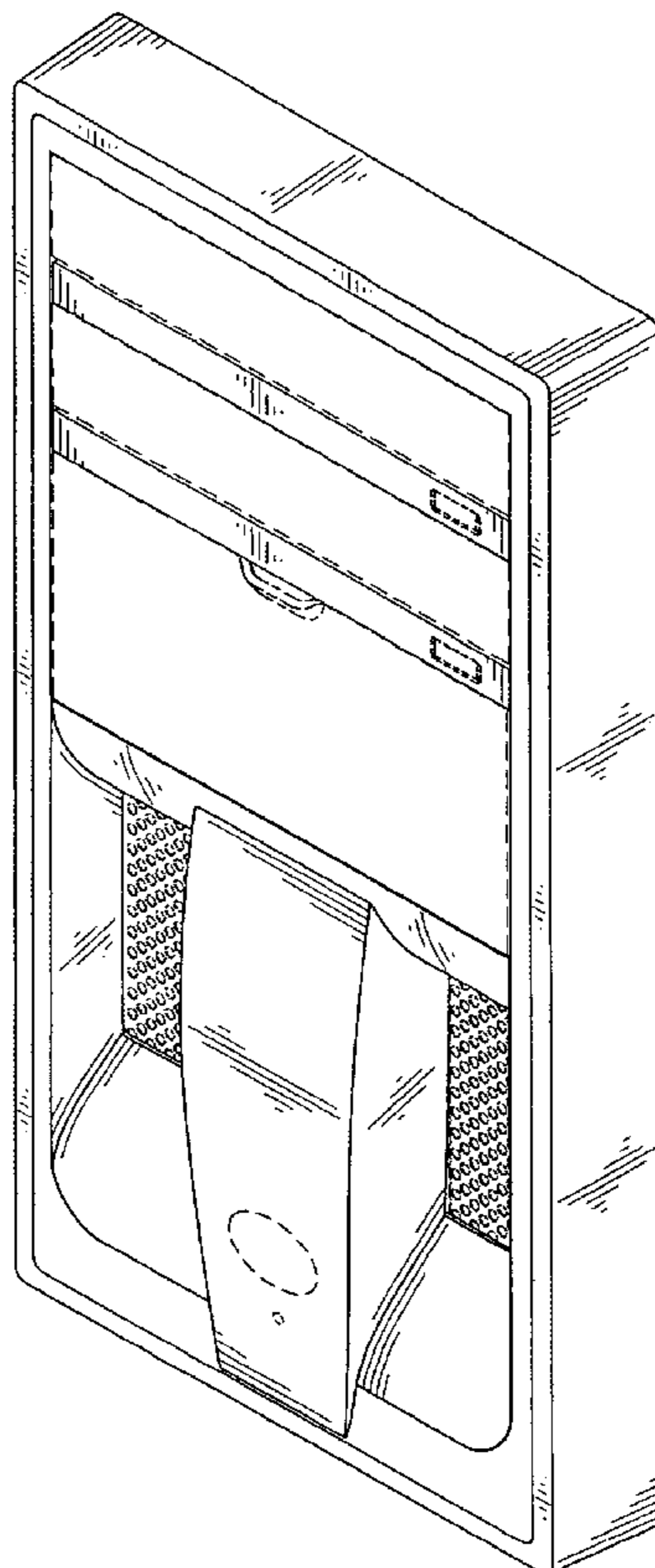
FIG. 7 is a perspective view thereof in using condition and being mounted to a computer enclosure.

U.S. PATENT DOCUMENTS

Broken lines are for illustrative purposes only and form no part of the claimed design.

D370,902 S * 6/1996 Reiter D14/444
D433,026 S * 10/2000 Liu et al. D14/441
D487,091 S * 2/2004 Chien et al. D14/444
D491,566 S * 6/2004 Xu et al. D14/444

1 Claim, 5 Drawing Sheets



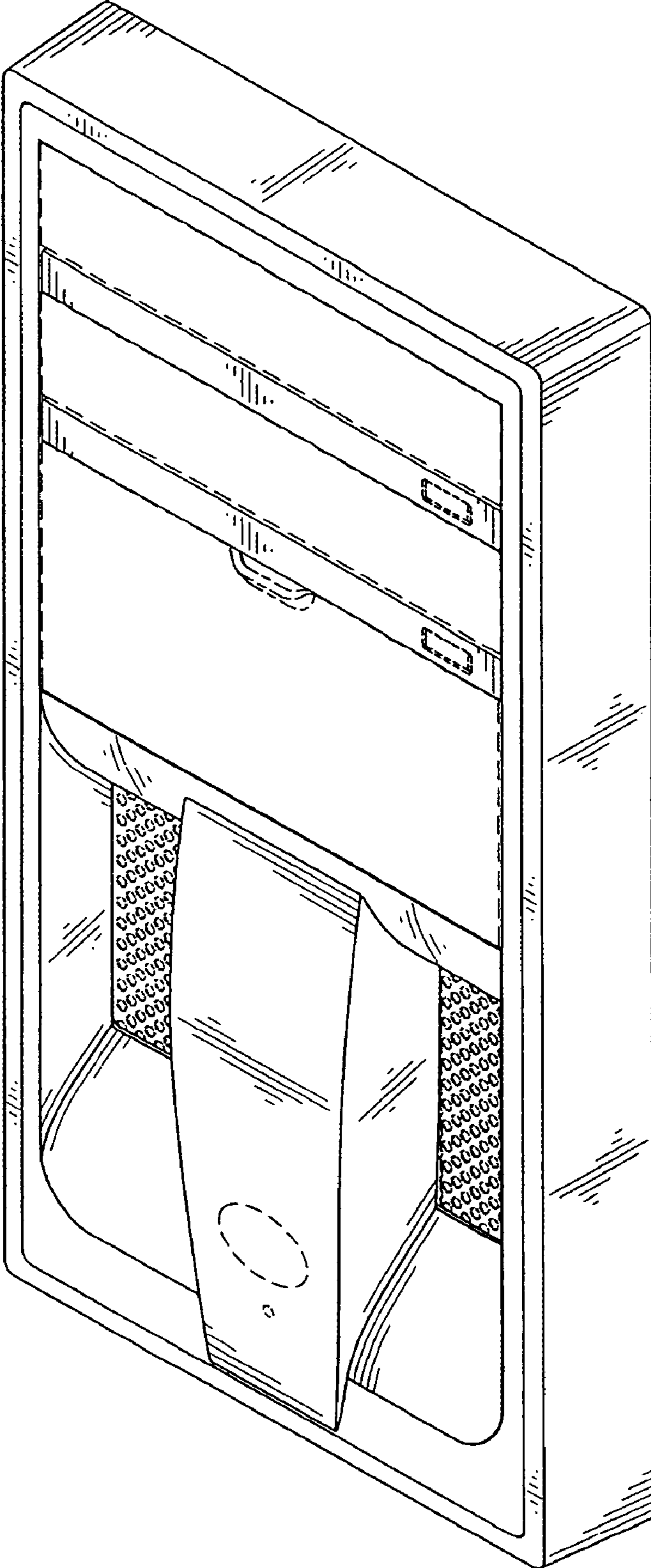


FIG. 1

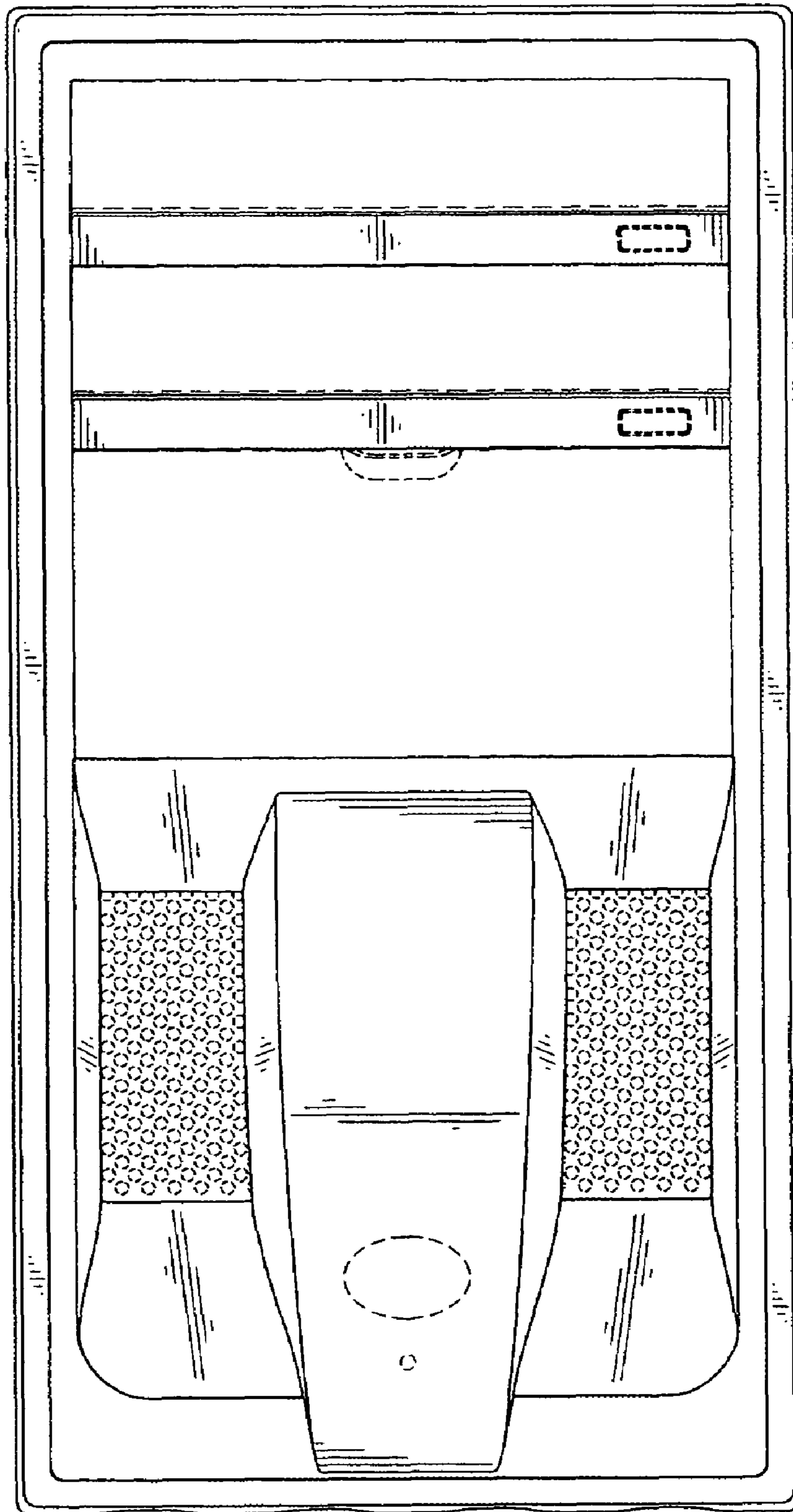


FIG. 2

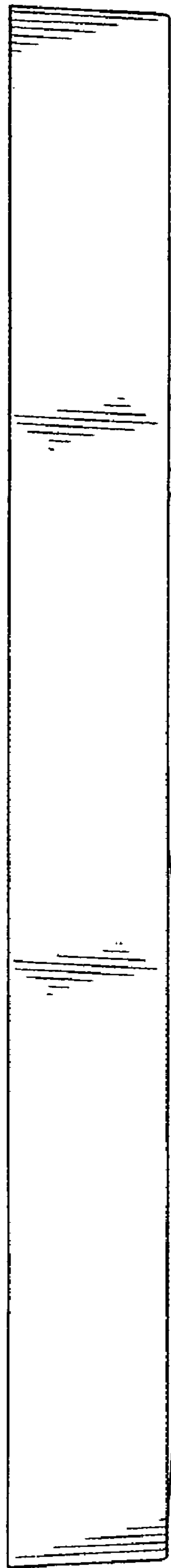


FIG. 3

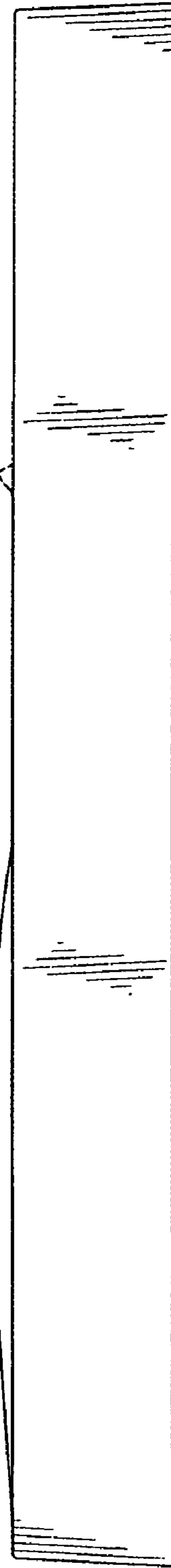


FIG. 4

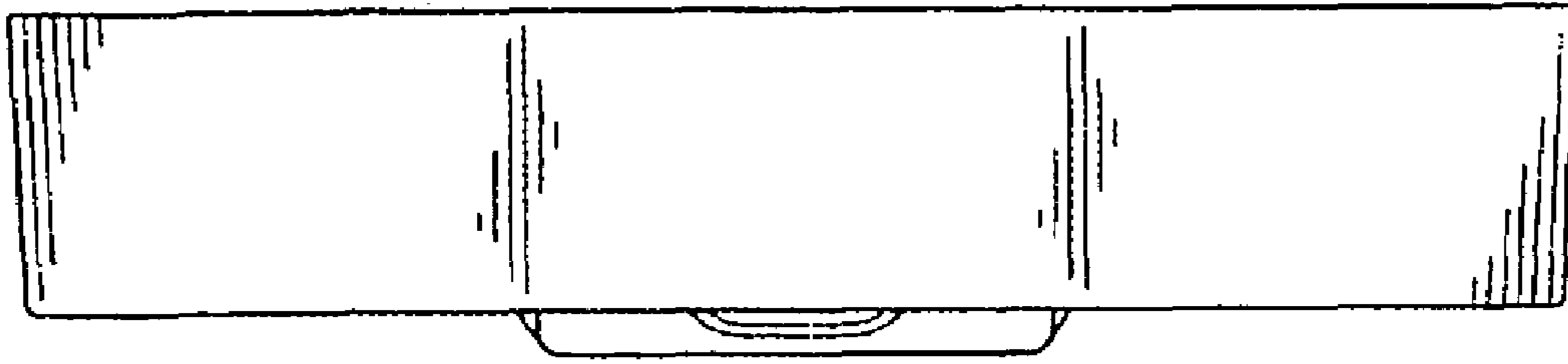


FIG. 5

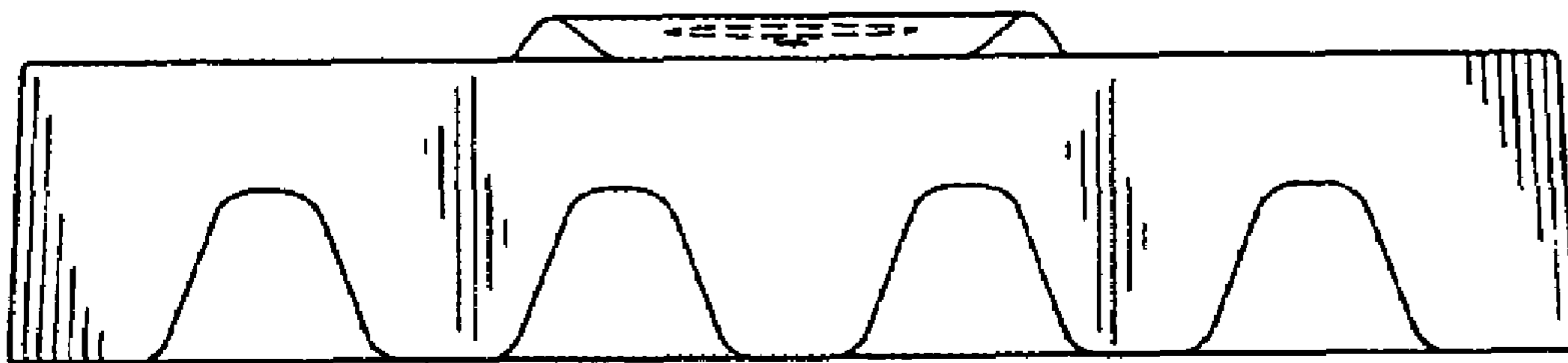


FIG. 6

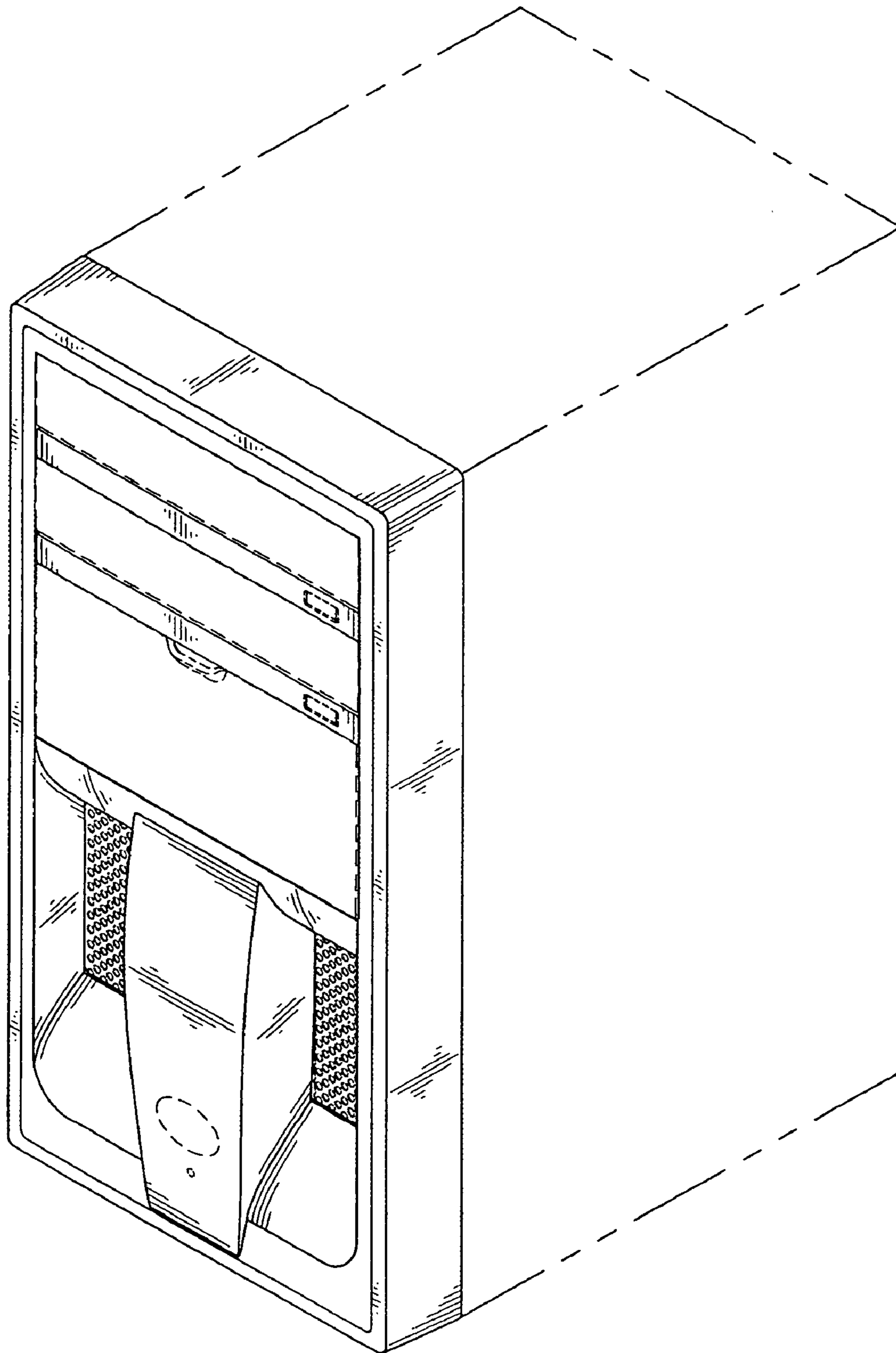


FIG. 7