



US00D552106S

(12) **United States Design Patent**  
**Wang et al.**

(10) **Patent No.:** **US D552,106 S**

(45) **Date of Patent:** **\*\* Oct. 2, 2007**

(54) **FRONT BEZEL FOR COMPUTER ENCLOSURE**

D500,501 S *	1/2005	Davis .....	D14/441
D514,110 S *	1/2006	Liu et al. ....	D14/441
D517,082 S *	3/2006	Zhou et al. ....	D14/444
D521,007 S *	5/2006	Huang et al. ....	D14/444

(75) Inventors: **Yu Wang**, Shenzhen (CN); **Chun-Chi Liang**, Tu-Cheng (TW); **Jiing-Renn Yu**, Tu-cheng (TW)

\* cited by examiner

(73) Assignee: **Hon Hai Precision Industry Co., Ltd.**, Tu-Cheng, Taipei Hsien (TW)

*Primary Examiner*—Freda S Nunn

(74) *Attorney, Agent, or Firm*—Wei Te Chung

(\*\*) Term: **14 Years**

(57) **CLAIM**

(21) Appl. No.: **29/261,939**

The ornamental design for a front bezel for computer enclosure, as shown and described.

(22) Filed: **Jun. 21, 2006**

(30) **Foreign Application Priority Data**

**DESCRIPTION**

Mar. 25, 2006 (CN) ..... 2006 3 0056921

FIG. 1 is a perspective view of a front bezel showing our new design mounted on a computer enclosure;

(51) **LOC (8) Cl.** ..... **14-02**

FIG. 2 is a front elevational view thereof;

(52) **U.S. Cl.** ..... **D14/441**

FIG. 3 is a left side elevational view thereof;

(58) **Field of Classification Search** ..... D14/441-446, D14/308; D13/162, 184, 199; 312/223.2; 361/680-686, 690-696; 369/14, 34.01, 36.01  
See application file for complete search history.

FIG. 4 is a right side elevational view thereof;

FIG. 5 is a top plan view thereof; and,

FIG. 6 is a bottom plan view thereof.

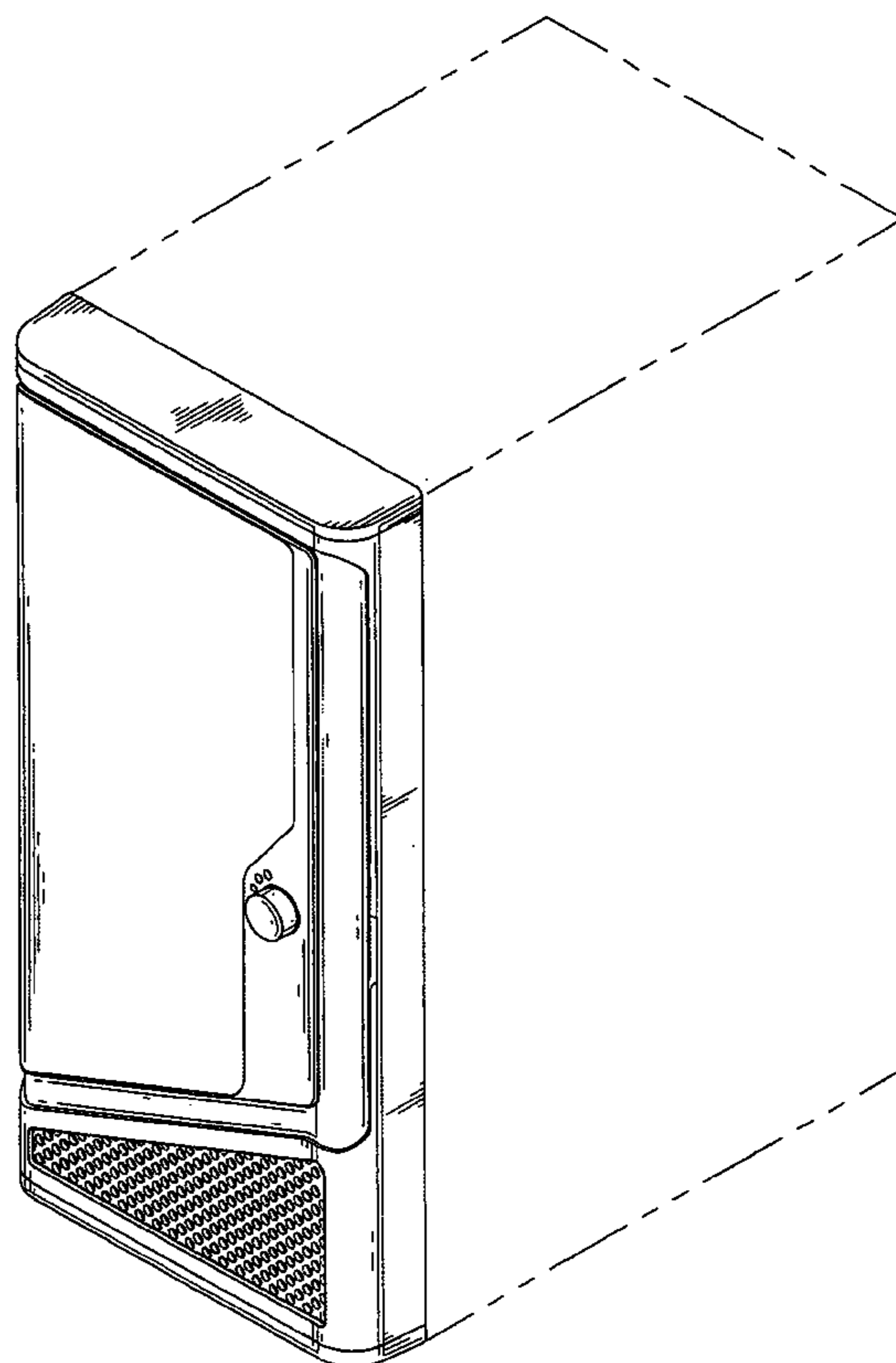
(56) **References Cited**

The broken lines in the views are for illustrative purposes only and form no part of the claimed design.

U.S. PATENT DOCUMENTS

D425,044 S \* 5/2000 Jean et al. .... D14/446

**1 Claim, 6 Drawing Sheets**



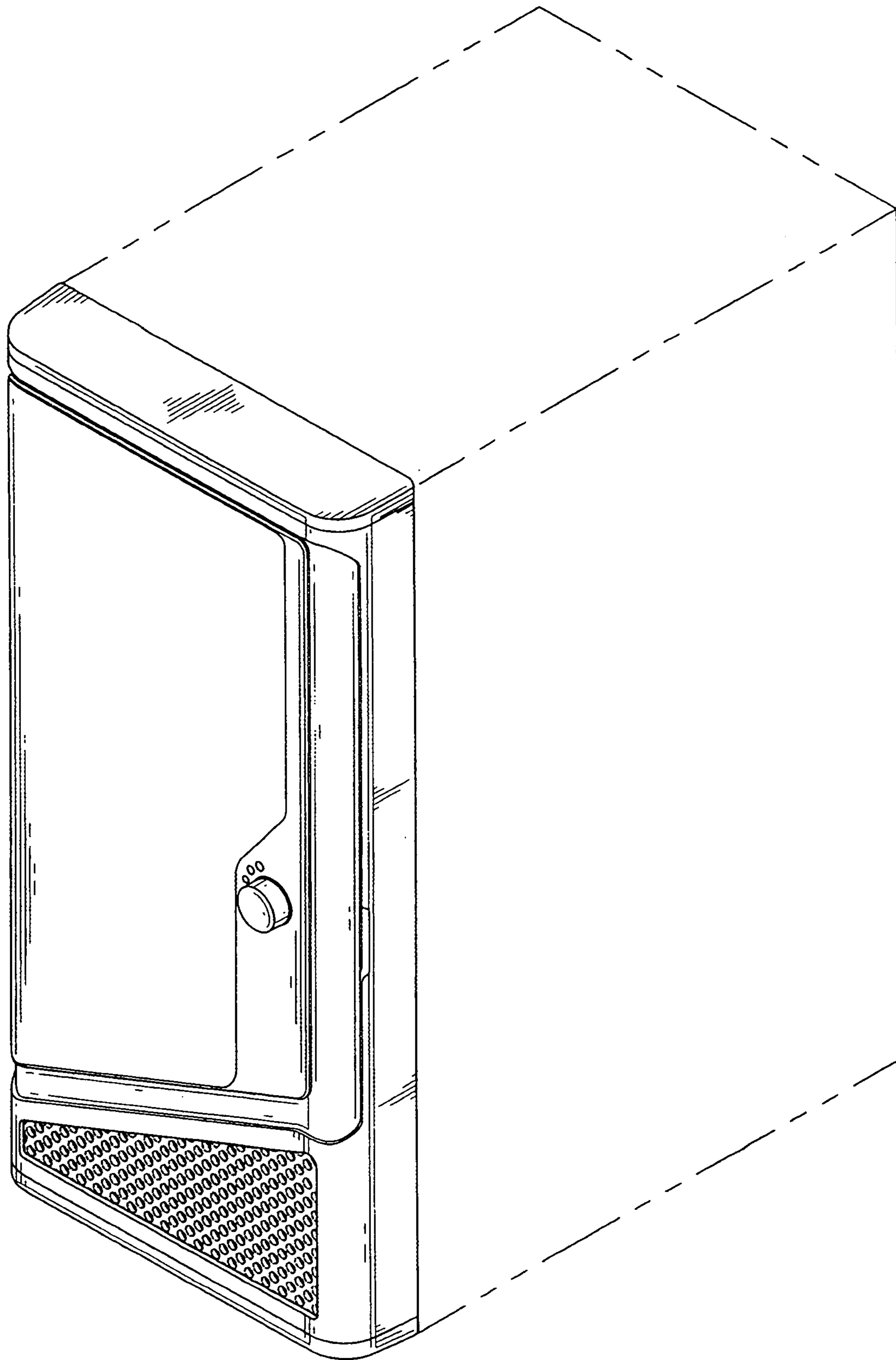


FIG. 1

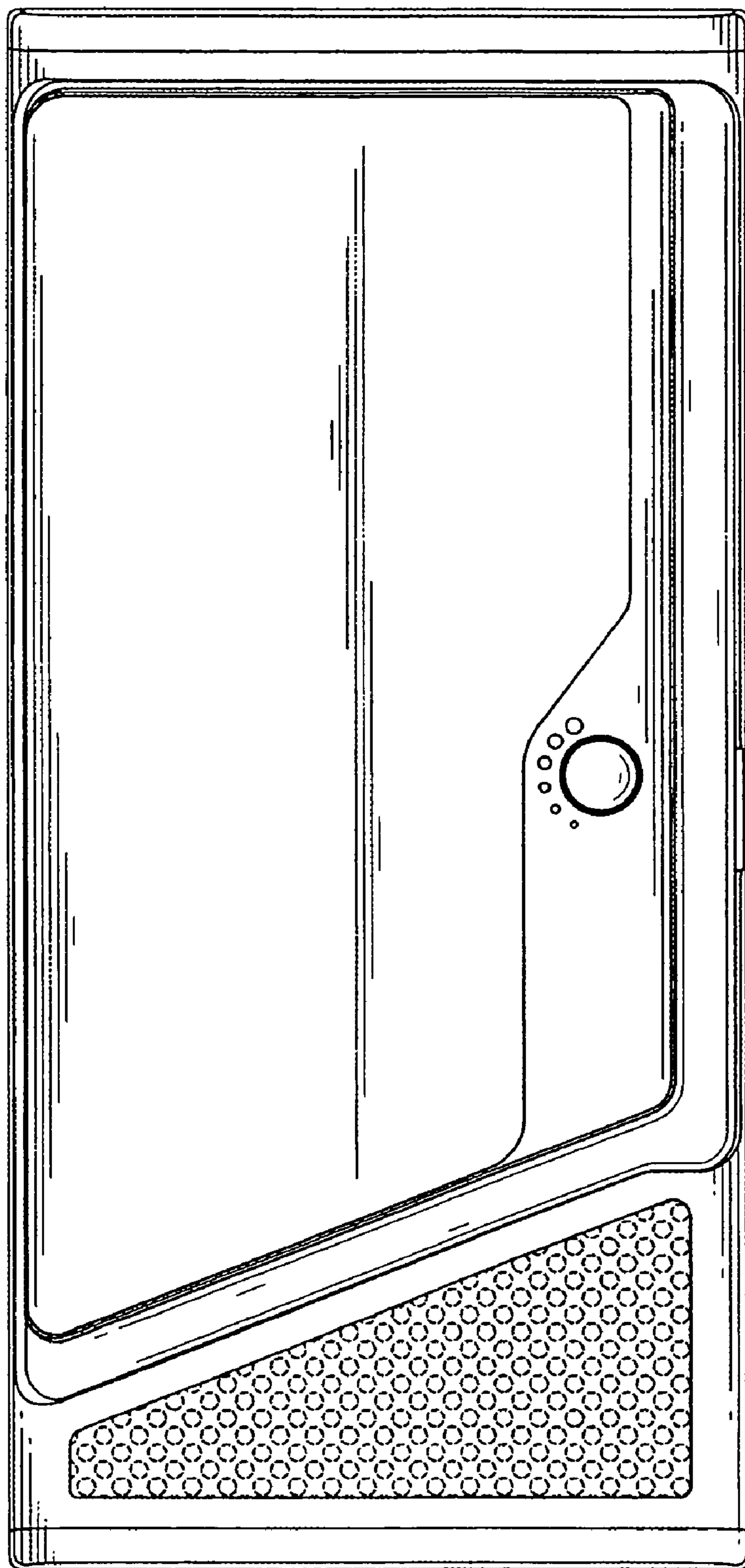


FIG. 2

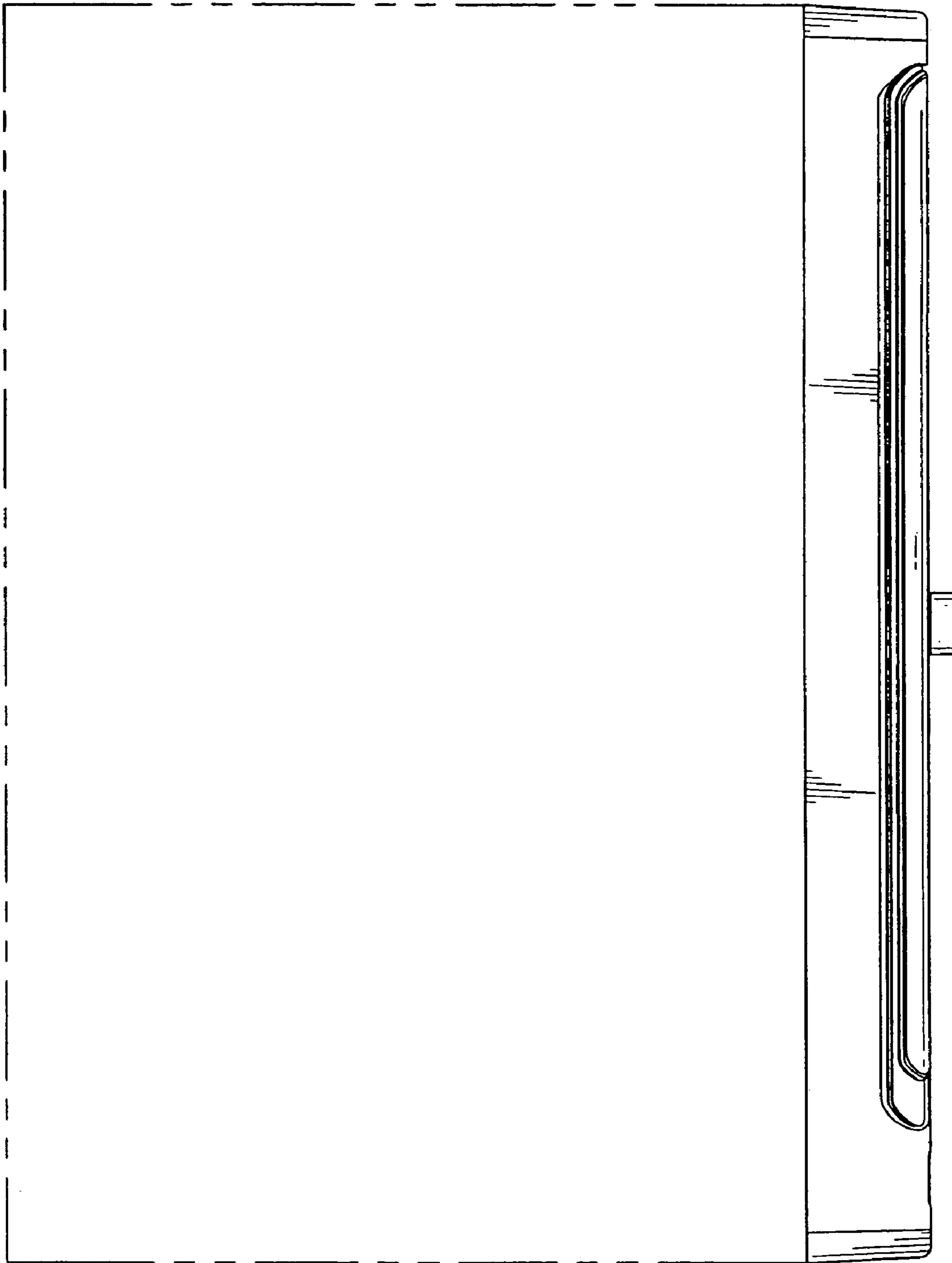


FIG. 3

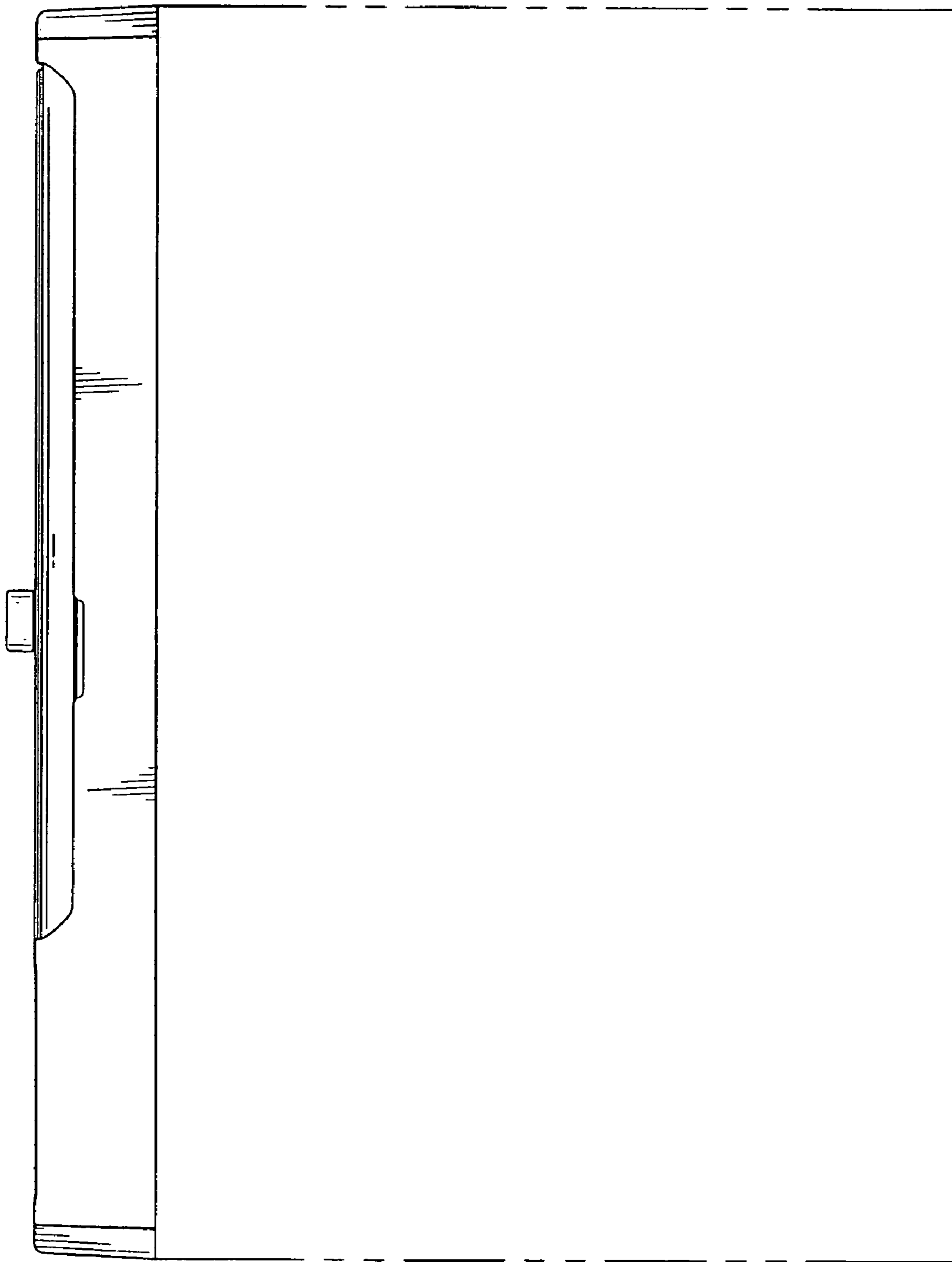


FIG. 4



FIG. 5



FIG. 6