



US00D552105S

(12) **United States Design Patent**
Ma

(10) **Patent No.:** **US D552,105 S**

(45) **Date of Patent:** **** Oct. 2, 2007**

(54) **FRONT BEZEL FOR COMPUTER ENCLOSURE**

(75) Inventor: **Liang Ma**, Shenzhen (CN)

(73) Assignee: **Hon Hai Precision Industry Co., Ltd.**,
Tu-Cheng, Taipei Hsien (TW)

(**) Term: **14 Years**

(21) Appl. No.: **29/261,618**

(22) Filed: **Jun. 16, 2006**

(30) **Foreign Application Priority Data**

Mar. 23, 2006 (CN) 2006 3 0056412

(51) **LOC (8) Cl.** **14-02**

(52) **U.S. Cl.** **D14/441**

(58) **Field of Classification Search** D14/441-446,
D14/308; D13/162, 184, 199; 312/223.2;
361/680-686, 690-696; 369/14, 34.01, 36.01
See application file for complete search history.

(56) **References Cited**

U.S. PATENT DOCUMENTS

D425,044 S * 5/2000 Jean et al. D14/446

D514,110 S * 1/2006 Liu et al. D14/441
D516,567 S * 3/2006 Su et al. D14/441
D517,082 S * 3/2006 Zhou et al. D14/444
D522,003 S * 5/2006 Kuang et al. D14/441

* cited by examiner

Primary Examiner—Freda S Nunn

(74) *Attorney, Agent, or Firm*—Wei Te Chung

(57) **CLAIM**

The ornamental design for a front bezel for a computer enclosure, as shown and described.

DESCRIPTION

FIG. 1 is a perspective view of a front bezel for a computer enclosure showing my new design;

FIG. 2 is a front elevational view thereof;

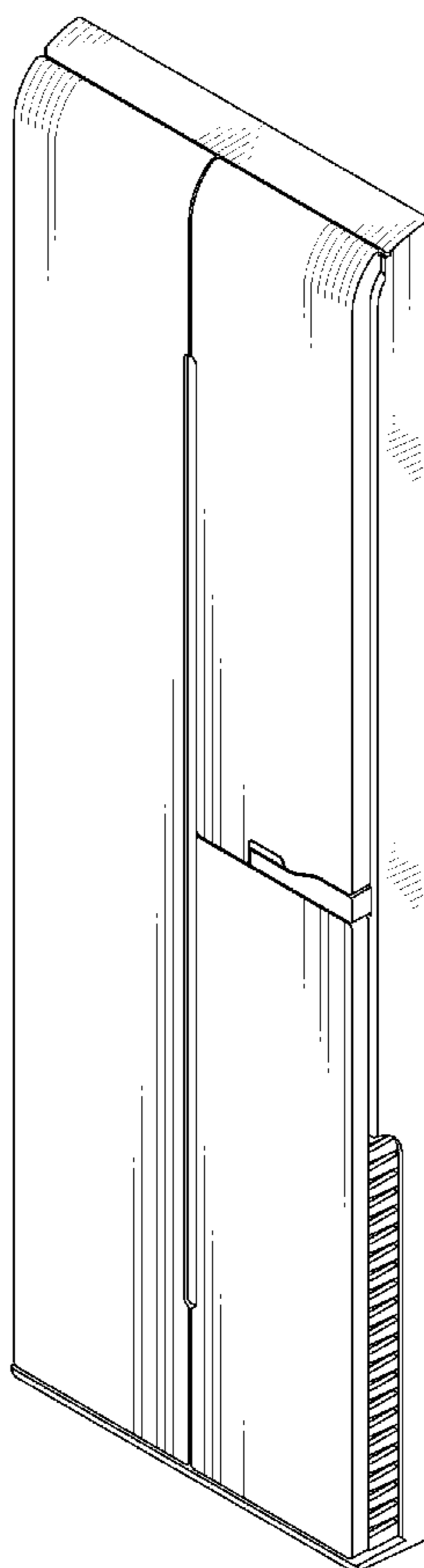
FIG. 3 is a left side elevational view thereof;

FIG. 4 is a right side elevational view thereof; and,

FIG. 5 is a perspective view thereof being mounted to a computer enclosure.

Broken lines are for illustrative purposes only and form no part of the claimed design.

1 Claim, 5 Drawing Sheets



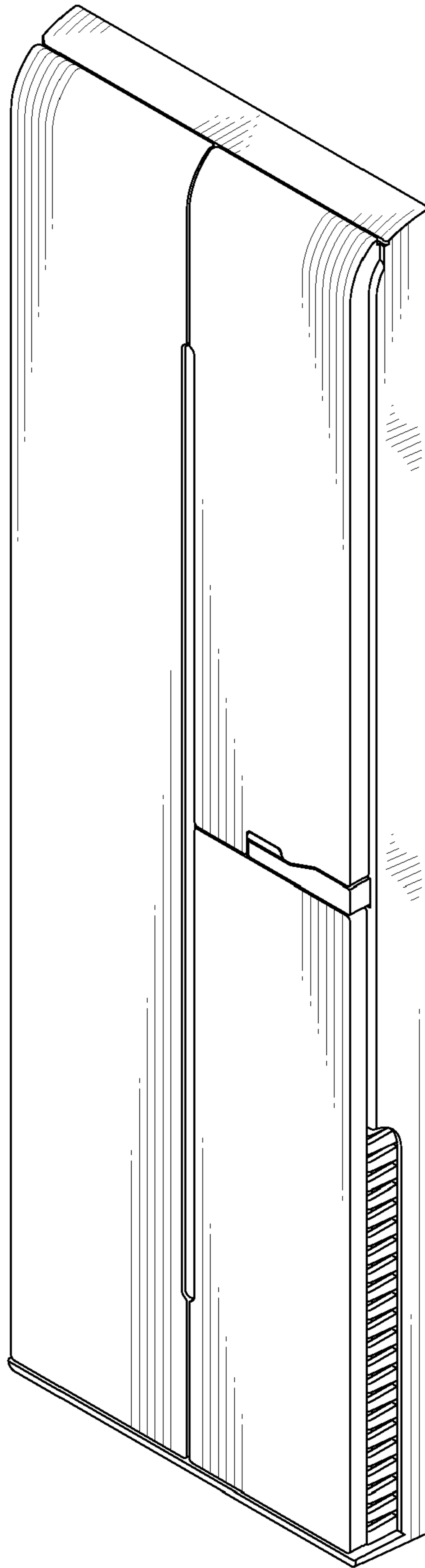


FIG. 1

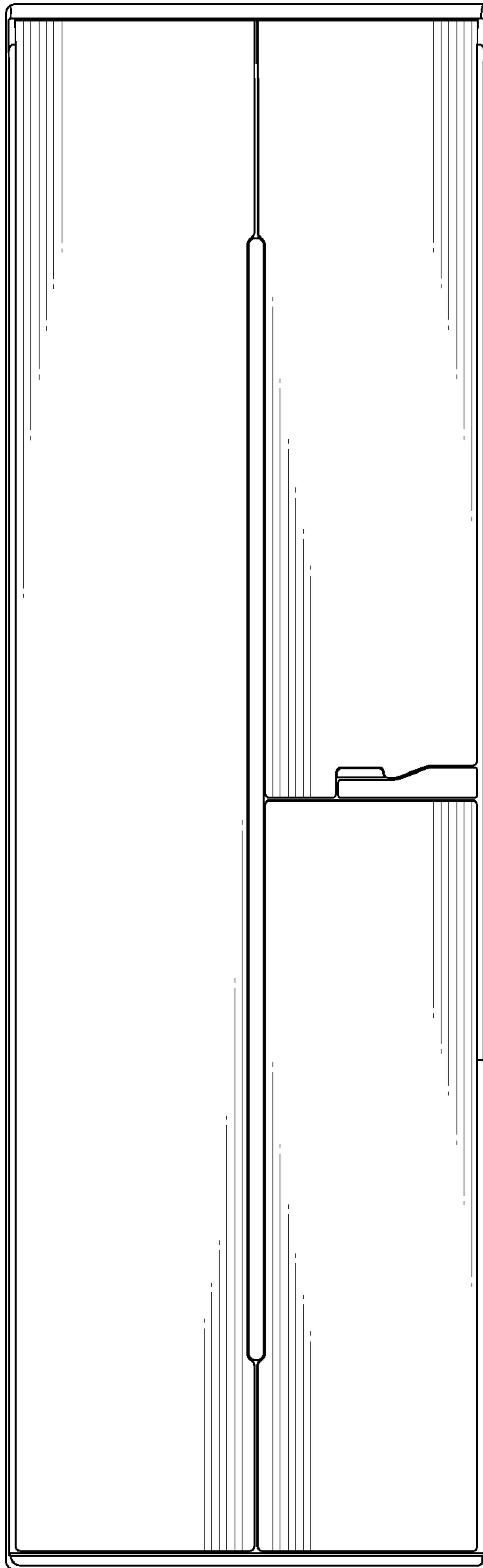


FIG. 2

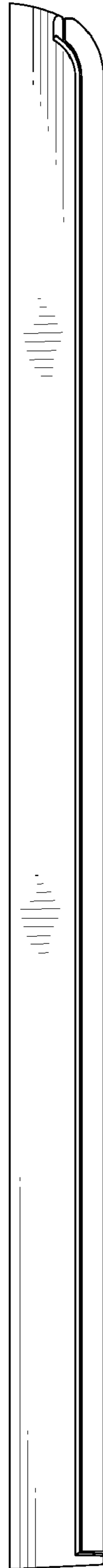


FIG. 3

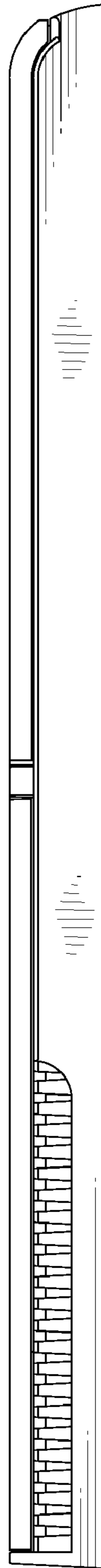


FIG. 4

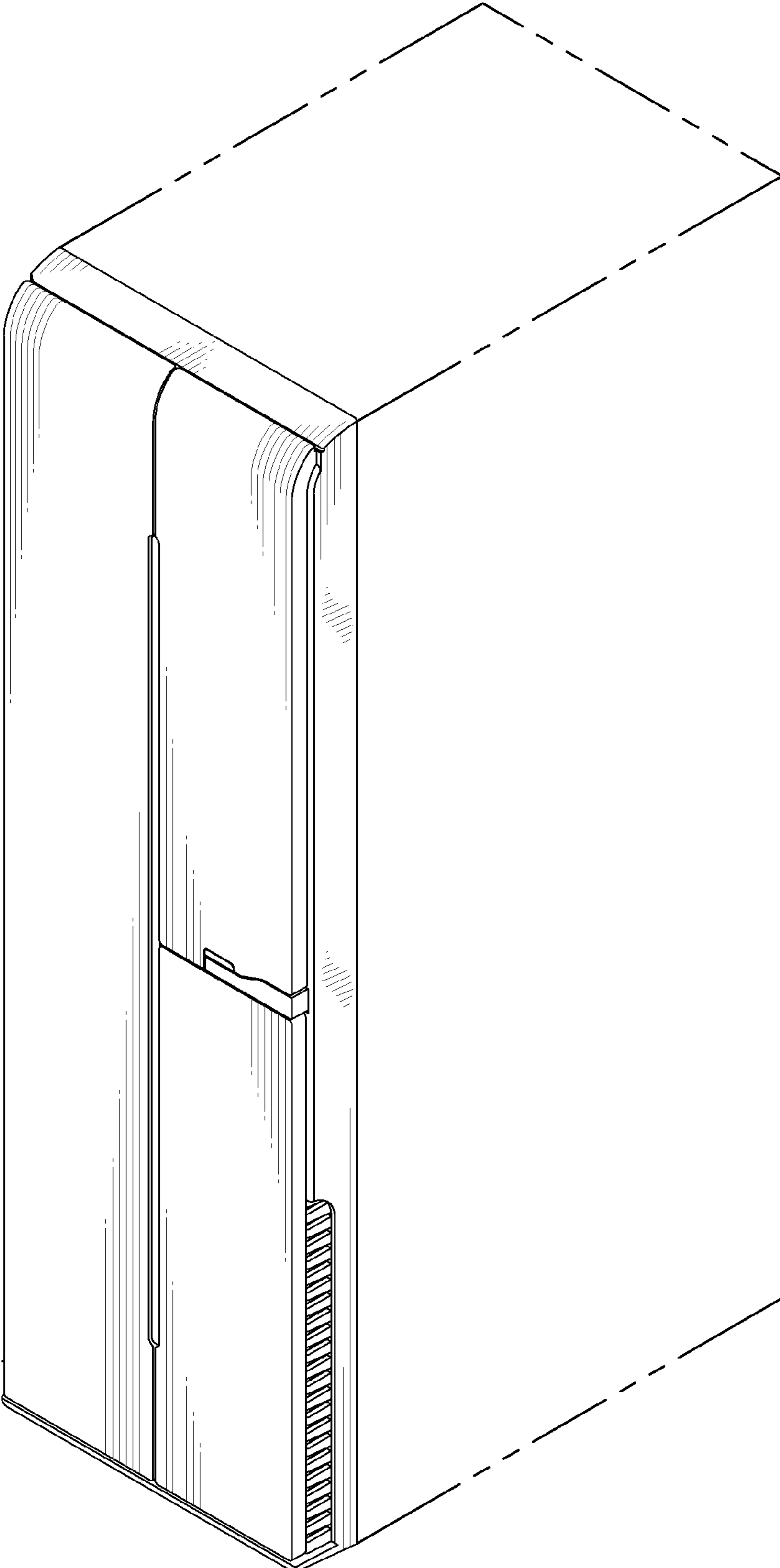


FIG. 5