



US00D552104S

(12) **United States Design Patent**
Deng et al.

(10) **Patent No.:** **US D552,104 S**

(45) **Date of Patent:** **** Oct. 2, 2007**

(54) **FRONT BEZEL FOR COMPUTER ENCLOSURE**

D513,262 S * 12/2005 He et al. D14/441
D514,110 S * 1/2006 Liu et al. D14/441
D521,007 S * 5/2006 Huang et al. D14/444

(75) Inventors: **Yi-Na Deng**, Shenzhen (CN);
Jiing-Renn Yu, Tu-cheng (TW)

* cited by examiner

(73) Assignee: **Hon Hai Precision Industry Co., Ltd.**,
Tu-Cheng, Taipei Hsien (TW)

Primary Examiner—Freda S Nunn
(74) *Attorney, Agent, or Firm*—Wei Te Chung

(**) Term: **14 Years**

(57) **CLAIM**

(21) Appl. No.: **29/261,574**

The ornamental design for a front bezel for computer enclosure, as shown and described.

(22) Filed: **Jun. 14, 2006**

DESCRIPTION

(30) **Foreign Application Priority Data**

Mar. 16, 2006 (CN) 2006 3 0055721

FIG. 1 is a perspective view of a front bezel for computer enclosure showing our new design;

(51) **LOC (8) Cl.** **14-02**

FIG. 2 is a front elevational view thereof;

(52) **U.S. Cl.** **D14/441**

FIG. 3 is a left side elevational view thereof;

(58) **Field of Classification Search** D14/441-446,
D14/308; D13/162, 184, 199; 312/223.2;
361/680-686, 690-696; 369/14, 34.01, 36.01

FIG. 4 is a right side elevational view thereof;

See application file for complete search history.

FIG. 5 is a top plan view thereof;

FIG. 6 is a bottom plan view thereof; and,

(56) **References Cited**

FIG. 7 is a perspective view thereof being mounted to a computer enclosure.

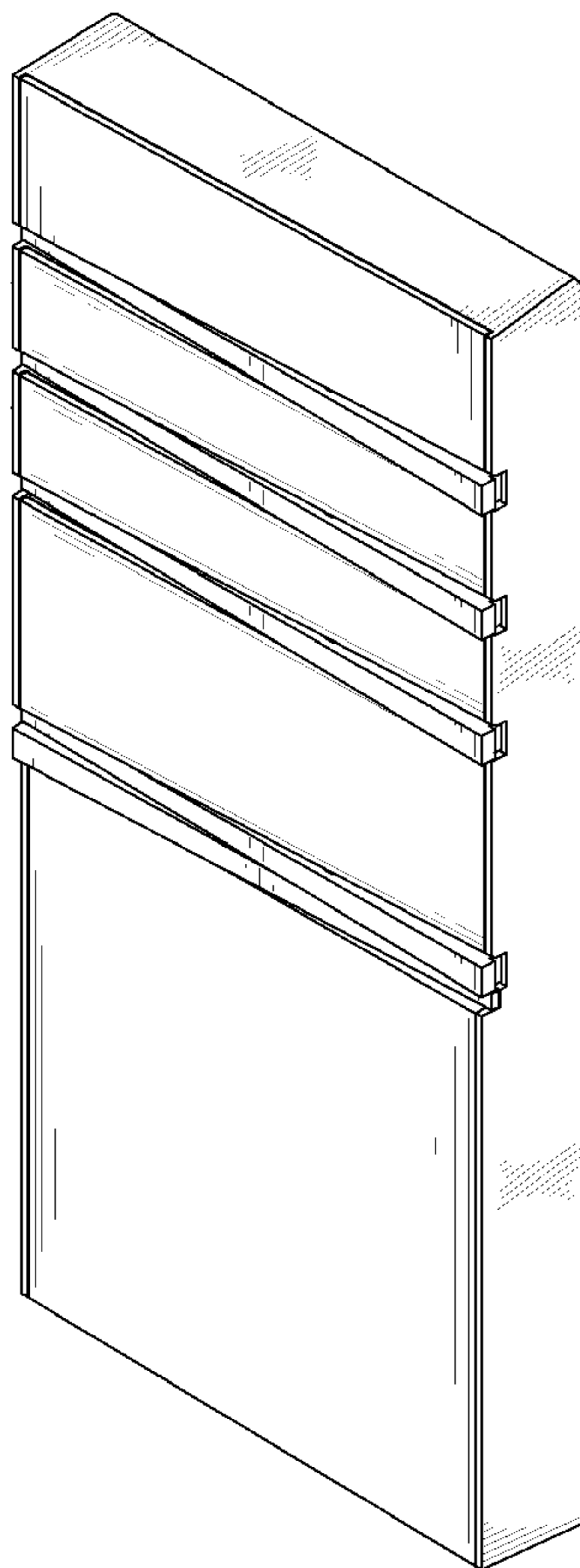
U.S. PATENT DOCUMENTS

Broken lines are for illustrative purposes only and form no part of the claimed design.

D425,044 S * 5/2000 Jean et al. D14/446

D459,357 S * 6/2002 Lo D14/444

1 Claim, 5 Drawing Sheets



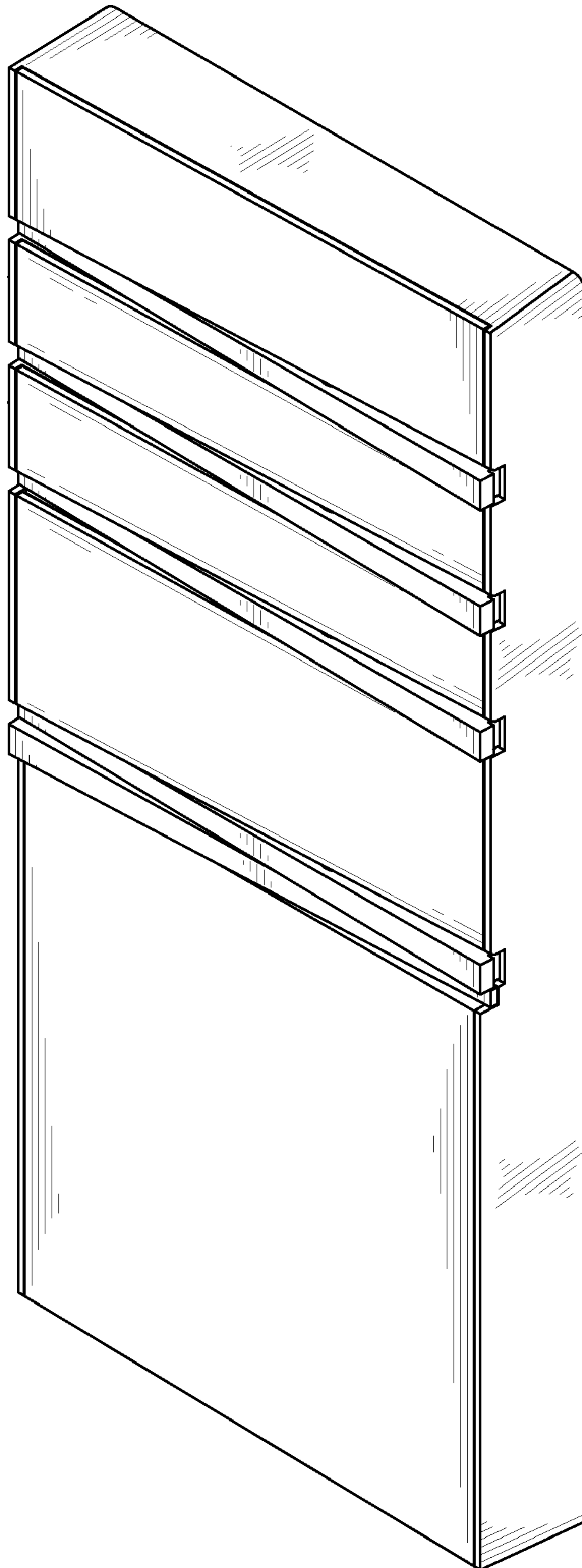


FIG. 1

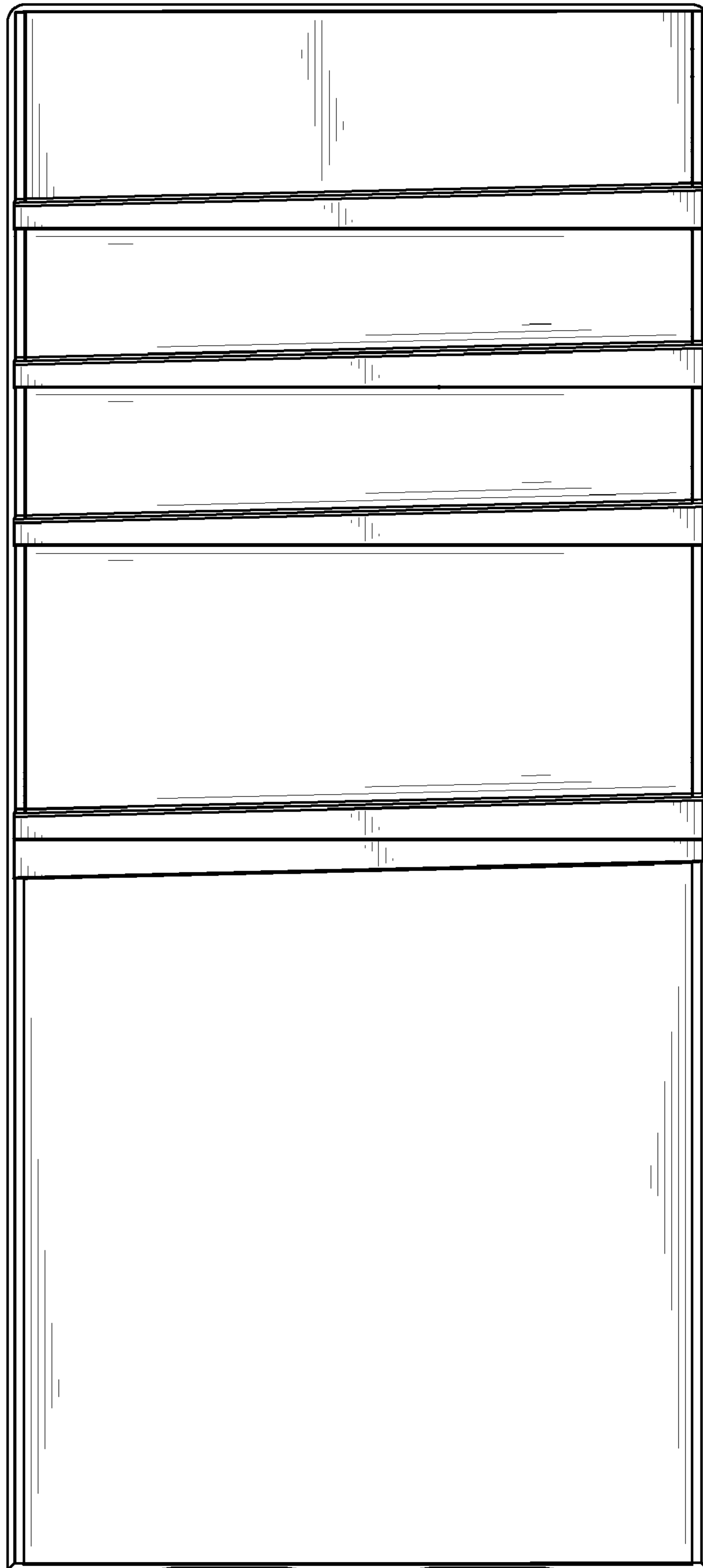


FIG. 2

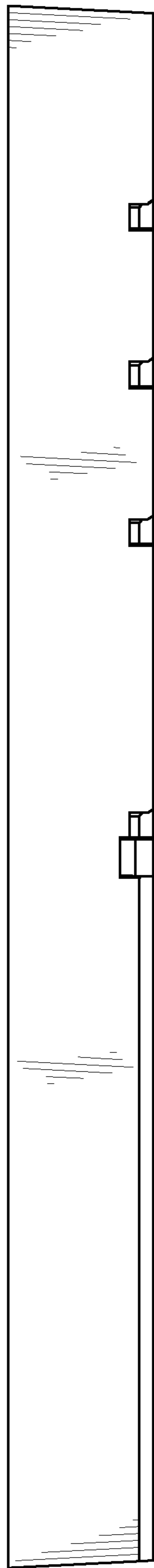


FIG. 3

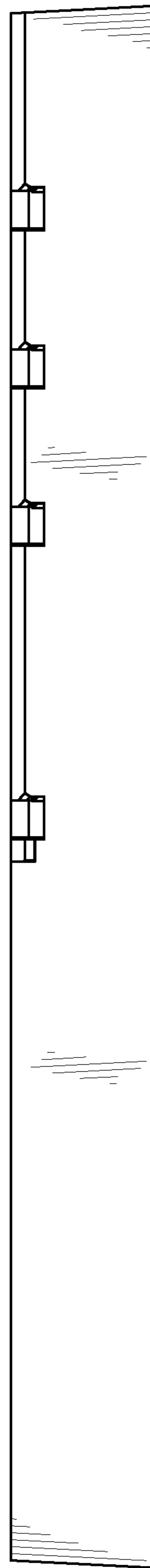


FIG. 4

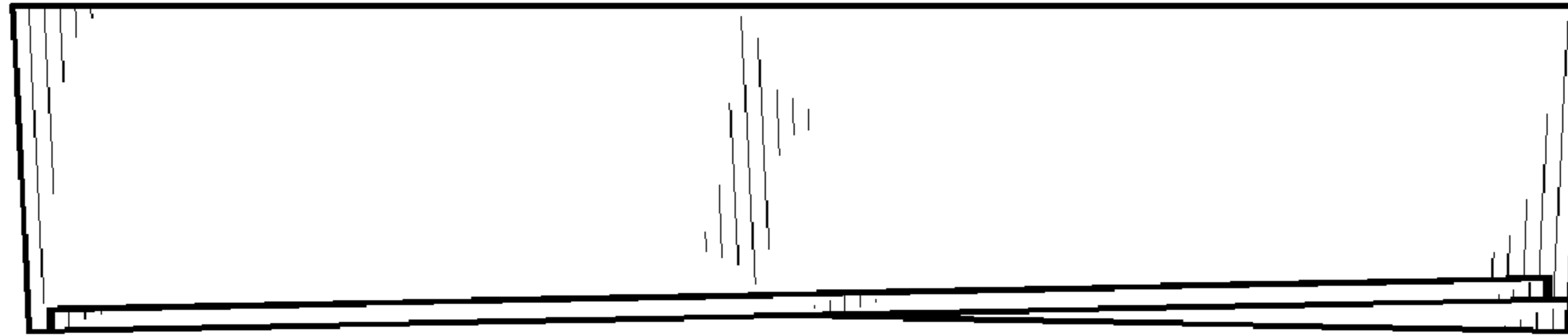


FIG. 5

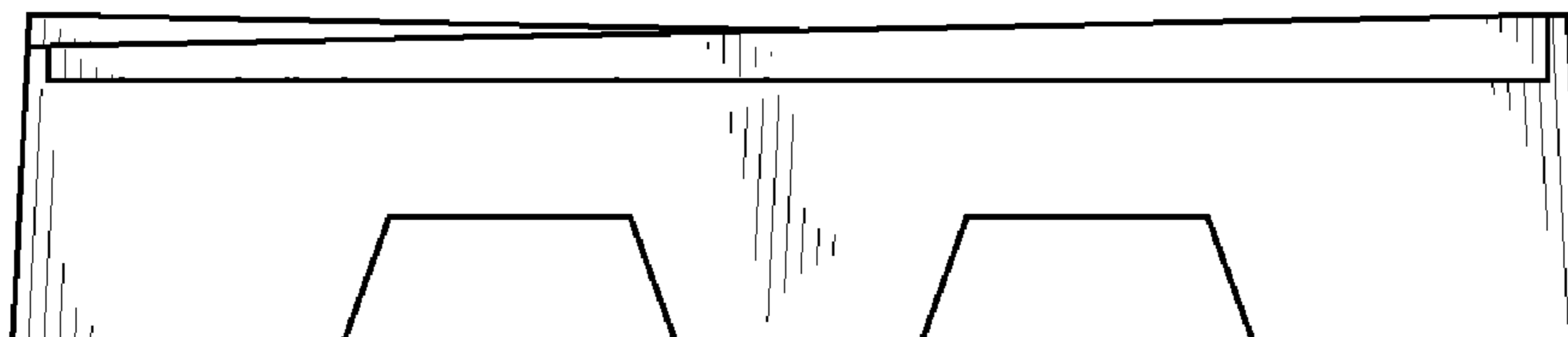


FIG. 6

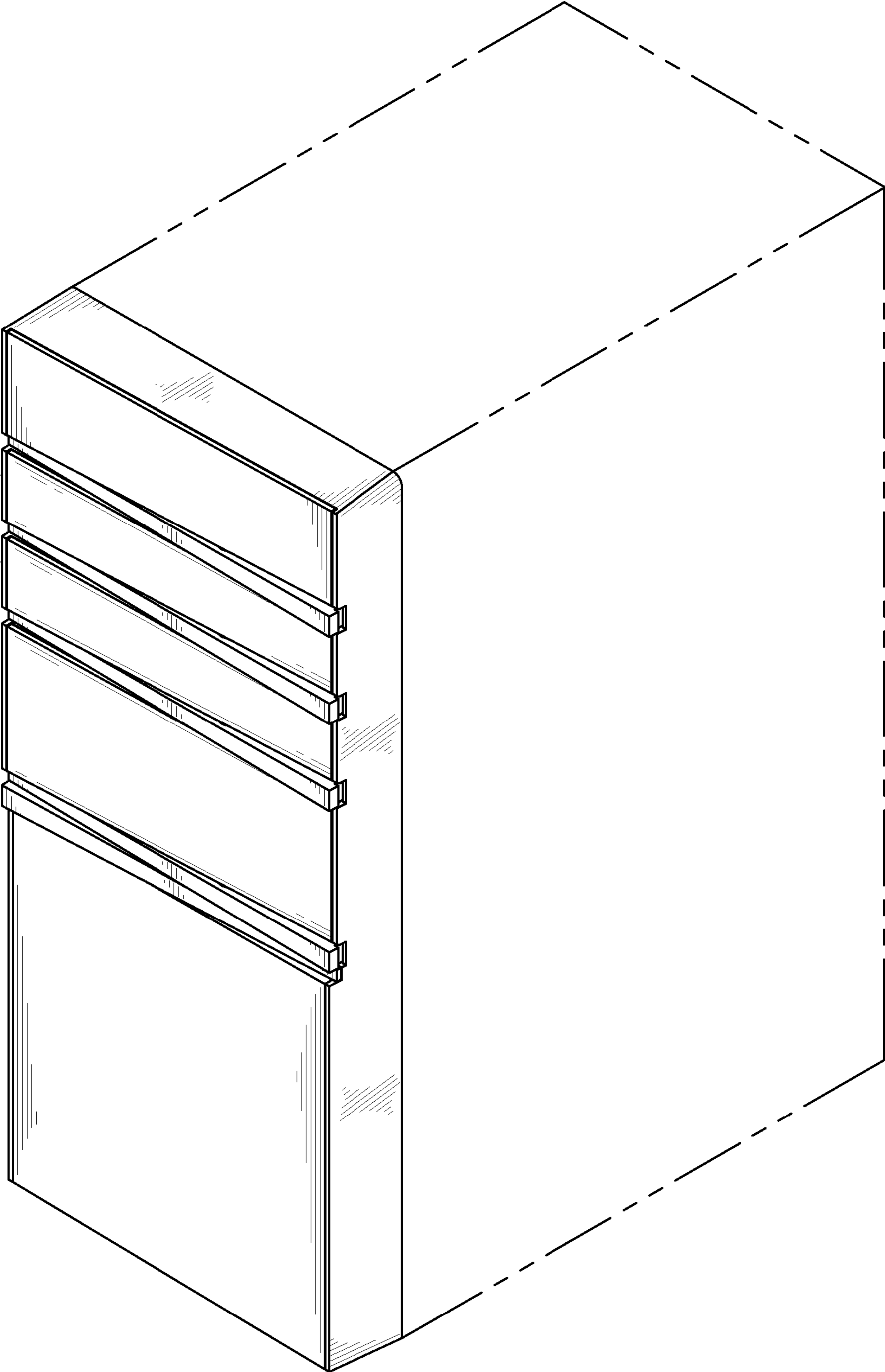


FIG. 7