



US00D552099S

(12) **United States Design Patent**  
**Nishizawa et al.**

(10) **Patent No.:** **US D552,099 S**

(45) **Date of Patent:** **\*\* Oct. 2, 2007**

(54) **MEMORY CARD**

(75) Inventors: **Hiroataka Nishizawa**, Tokyo (JP); **Kenji Osawa**, Hachioji (JP); **Junichiro Osako**, Tokyo (JP); **Tamaki Wada**, Tokyo (JP); **Michiaki Sugiyama**, Tokyo (JP); **Takashi Totsuka**, Tokyo (JP); **Yoshitaka Aoki**, Tokyo (JP); **Keiichi Tsutsui**, Tokyo (JP)

(73) Assignees: **Renesas Technology Corporation**, Tokyo (JP); **Sony Kabushiki Kaisha**, Tokyo (JP)

(\*\*) Term: **14 Years**

(21) Appl. No.: **29/242,997**

(22) Filed: **Nov. 18, 2005**

(30) **Foreign Application Priority Data**

May 24, 2005 (JP) ..... 2005-014900  
May 24, 2005 (JP) ..... 2005-014909

(51) **LOC (8) Cl.** ..... **14-02**

(52) **U.S. Cl.** ..... **D14/436**

(58) **Field of Classification Search** ..... 235/441, 235/443, 487, 492, 493, 495; D14/435-38, D14/478-80; 361/737, 679, 736, 728, 729-30; 257/678-79, 693, E23.064; 439/946; 174/250, 174/260, 52.1-52.2; 710/300-303; 438/121  
See application file for complete search history.

(56) **References Cited**

**U.S. PATENT DOCUMENTS**

5,173,841 A \* 12/1992 Uenaka et al. .... 361/758  
D446,525 S \* 8/2001 Okamoto et al. .... D14/436  
6,381,143 B1 \* 4/2002 Nakamura ..... 361/737  
D458,935 S \* 6/2002 Hiroki ..... D14/436  
D460,456 S \* 7/2002 Shimoda et al. .... D14/436

D467,586 S \* 12/2002 Shimoda et al. .... D14/436  
6,556,379 B2 \* 4/2003 Ashikawa ..... 360/132  
D488,477 S \* 4/2004 Yu et al. .... D14/436  
D492,687 S \* 7/2004 Yu et al. .... D14/436  
D493,798 S \* 8/2004 Yu et al. .... D14/436  
D494,180 S \* 8/2004 Taniguchi ..... D14/436  
6,858,925 B2 2/2005 Wada et al.  
6,945,465 B2 9/2005 Nishizawa et al.  
2005/0253239 A1 11/2005 Nishizawa et al.

**FOREIGN PATENT DOCUMENTS**

JP 2005-339496 9/2004  
WO WO 2005/004047 A1 7/2003

\* cited by examiner

*Primary Examiner*—M. H. Tung

*Assistant Examiner*—Susan Moon Lee

(74) *Attorney, Agent, or Firm*—Reed Smith LLP; Stanley P. Fisher, Esq.; Juan Carlos A. Marquez, Esq.

(57) **CLAIM**

We claim the ornamental design for a memory card, as shown and described.

**DESCRIPTION**

FIG. 1 is a front elevational view of the first embodiment of a memory card showing our new design;

FIG. 2 is a rear elevational view thereof;

FIG. 3 is a top plan view thereof;

FIG. 4 is a bottom plan view thereof;

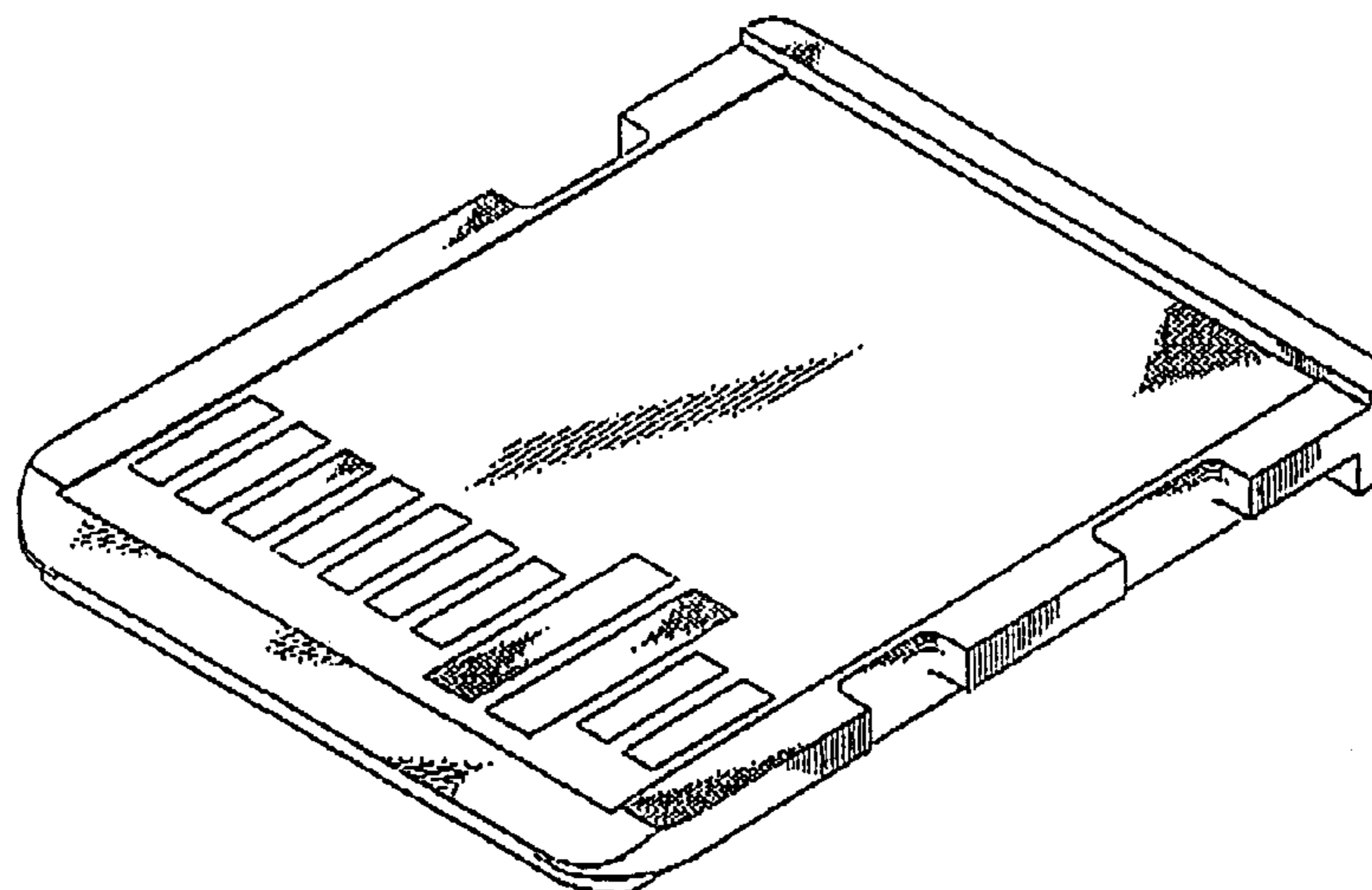
FIG. 5 is a right side view thereof;

FIG. 6 is a left side view thereof;

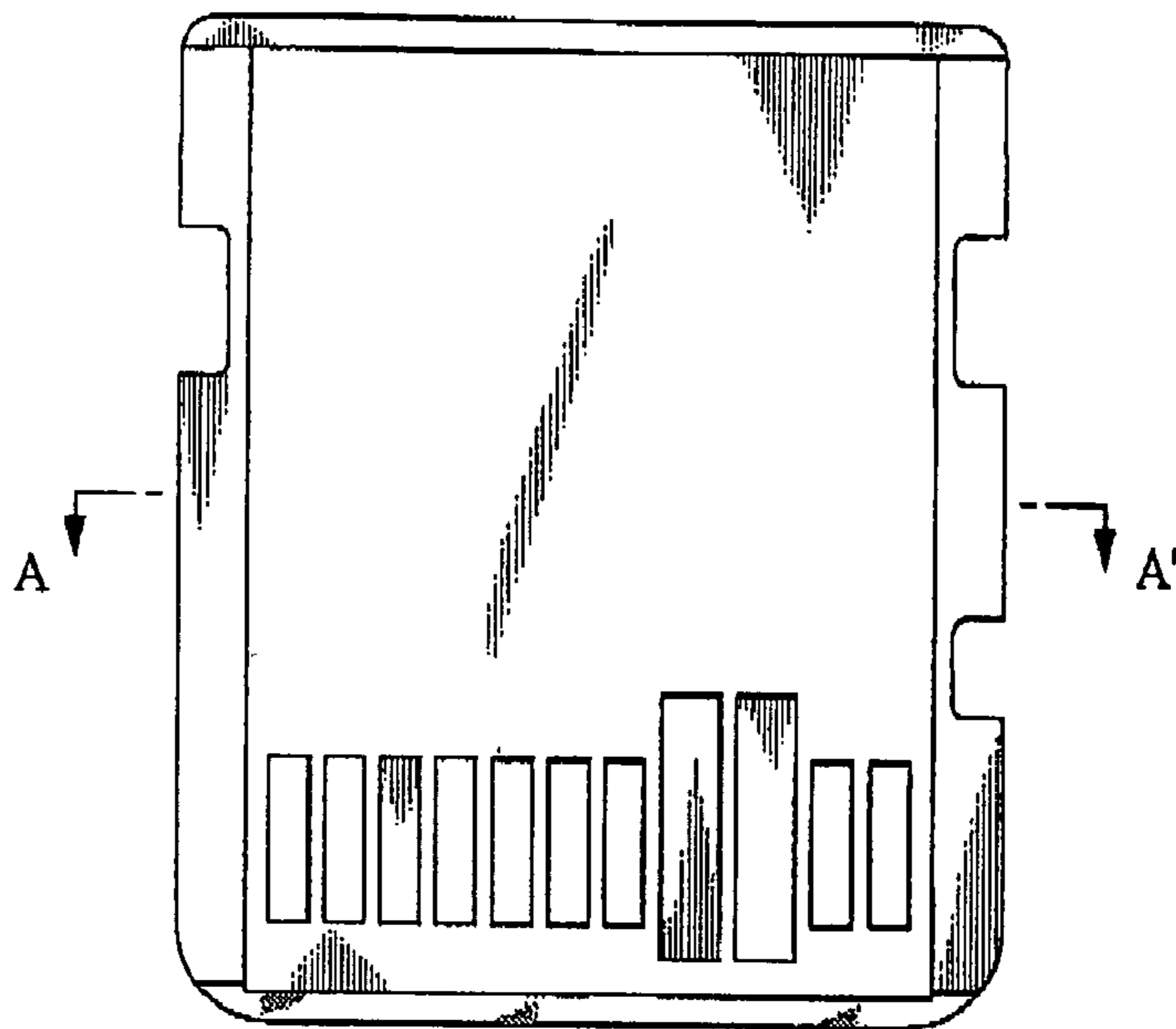
FIG. 7 is a sectional view that is taken along line A—A' of FIG. 1 where the internal mechanism is omitted; and,

FIG. 8 is perspective view of the memory card.

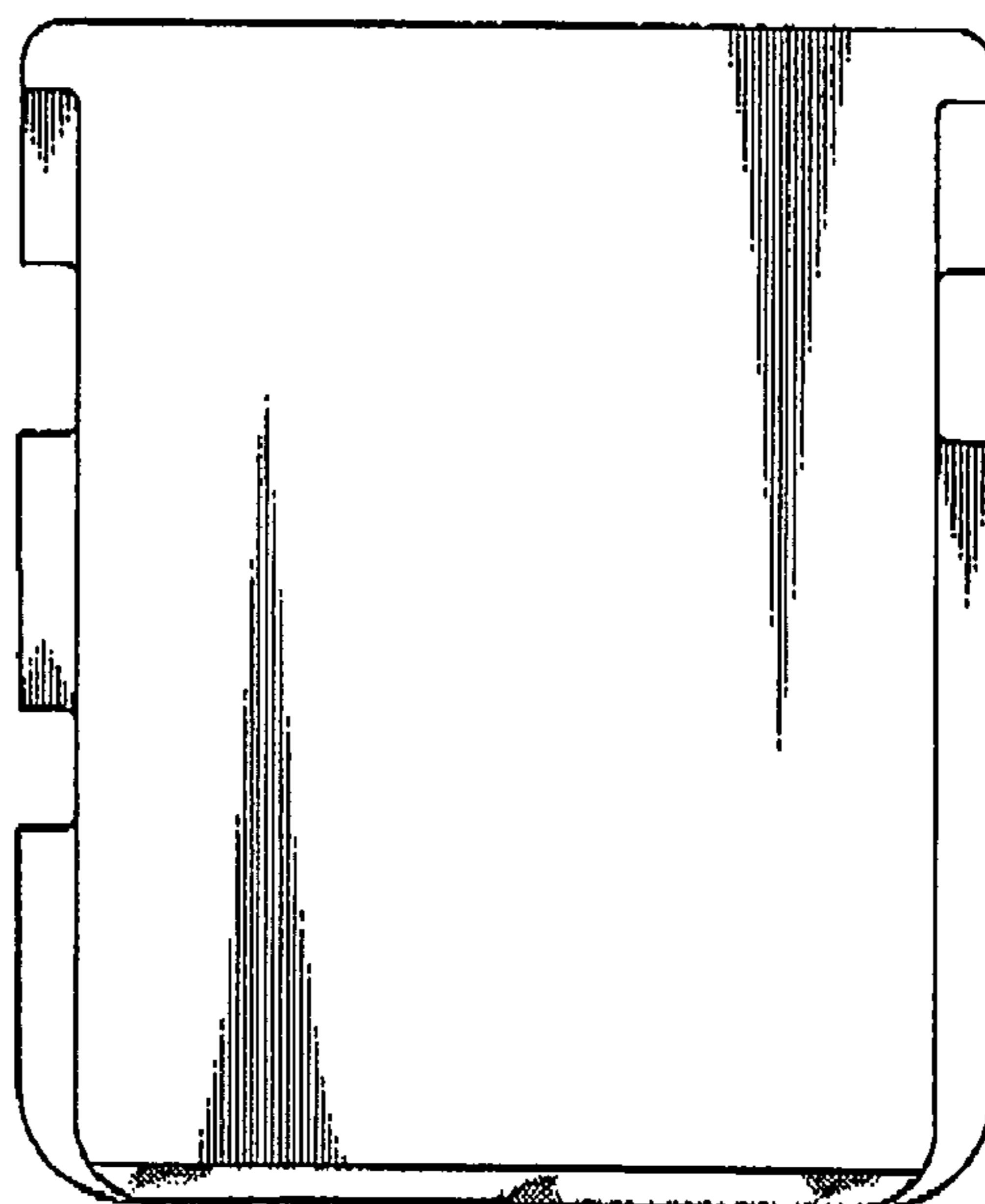
**1 Claim, 4 Drawing Sheets**



*Fig. 1*



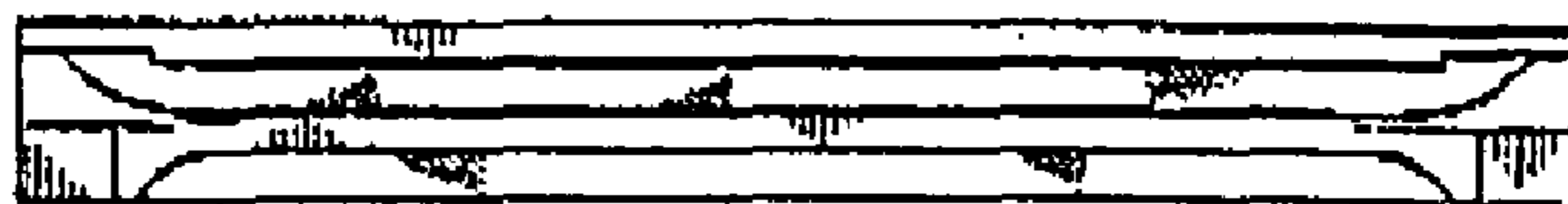
*Fig. 2*



*Fig. 3*



*Fig. 4*



*Fig. 5*



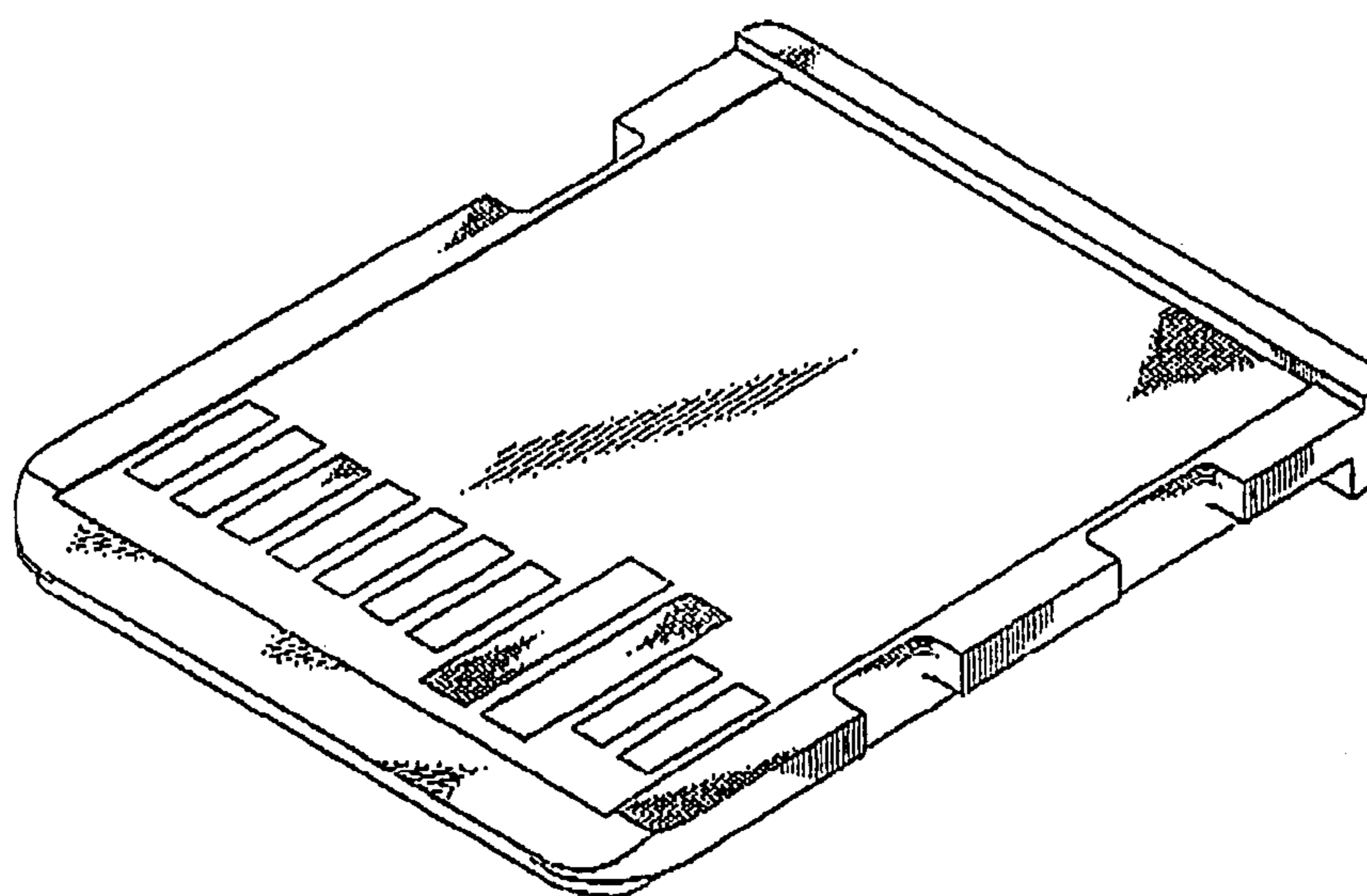
*Fig. 6*



*Fig. 7*



*Fig. 8*



UNITED STATES PATENT AND TRADEMARK OFFICE  
**CERTIFICATE OF CORRECTION**

PATENT NO. : Des. 552,099 S  
APPLICATION NO. : 29/242997  
DATED : October 2, 2007  
INVENTOR(S) : Nishizawa et al.

Page 1 of 1

It is certified that error appears in the above-identified patent and that said Letters Patent is hereby corrected as shown below:

Title page, Item [73] Assignee:

Please **DELETE** “Renesas Technology Corporation”

**INSERT** -- Renesas Technology Corp. --

Signed and Sealed this

Nineteenth Day of August, 2008

A handwritten signature in black ink that reads "Jon W. Dudas". The signature is written in a cursive style with a large, looped initial "J".

JON W. DUDAS

*Director of the United States Patent and Trademark Office*