



US00D552096S

(12) **United States Design Patent**  
**Sugitani et al.**

(10) **Patent No.:** **US D552,096 S**  
(45) **Date of Patent:** **\*\* Oct. 2, 2007**

(54) **IMAGE SCANNER FOR A COMPUTER**

(75) Inventors: **Minoru Sugitani**, Kahoku (JP);  
**Takeshi Chujou**, Kahoku (JP); **Shinichi Ohta**, Komatsu (JP)

(73) Assignee: **PFU Limited**, Kahoku (JP)

(\*\*) Term: **14 Years**

(21) Appl. No.: **29/240,768**

(22) Filed: **Oct. 19, 2005**

(30) **Foreign Application Priority Data**

May 12, 2005 (JP) ..... 2005-013531

(51) **LOC (8) Cl.** ..... **14-02**

(52) **U.S. Cl.** ..... **D14/421**

(58) **Field of Classification Search** ..... D14/421-425;  
D18/36-39, 53-55, 46-49; 355/81, 75; 399/405,  
399/367, 379, 380; 358/496-498, 524, 408,  
358/514, 515, 474, 505; 235/470, 482, 462.43,  
235/483

See application file for complete search history.

(56) **References Cited**

**U.S. PATENT DOCUMENTS**

D272,625 S \* 2/1984 Suzuki et al. .... D14/469  
D279,780 S \* 7/1985 Nishiwaki et al. .... D14/463  
D321,533 S \* 11/1991 Gough ..... D15/146  
D332,797 S \* 1/1993 Shinmoto et al. .... D18/53

D334,401 S \* 3/1993 Mitchell ..... D18/48  
D405,821 S \* 2/1999 Ishikawa ..... D18/53  
D421,979 S \* 3/2000 Agata ..... D14/470  
D431,455 S \* 10/2000 Mansau ..... D18/54  
D432,163 S \* 10/2000 Perry ..... D18/46  
D462,380 S \* 9/2002 Ortiz et al. .... D18/47  
D472,243 S \* 3/2003 Agata ..... D14/463  
D474,498 S \* 5/2003 Takahashi et al. .... D18/49

\* cited by examiner

*Primary Examiner*—M. H. Tung

*Assistant Examiner*—Susan Moon Lee

(74) *Attorney, Agent, or Firm*—Staas and Halsey, LLP

(57) **CLAIM**

The ornamental design for an image scanner for a computer, as shown and described.

**DESCRIPTION**

FIG. 1 is a front perspective view of an image scanner for a computer showing our new design;

FIG. 2 is a front view thereof;

FIG. 3 is a rear view thereof;

FIG. 4 is a left side elevational view thereof;

FIG. 5 is a right side elevational view thereof;

FIG. 6 is a top plan view thereof; and,

FIG. 7 is a bottom plan view thereof.

**1 Claim, 4 Drawing Sheets**

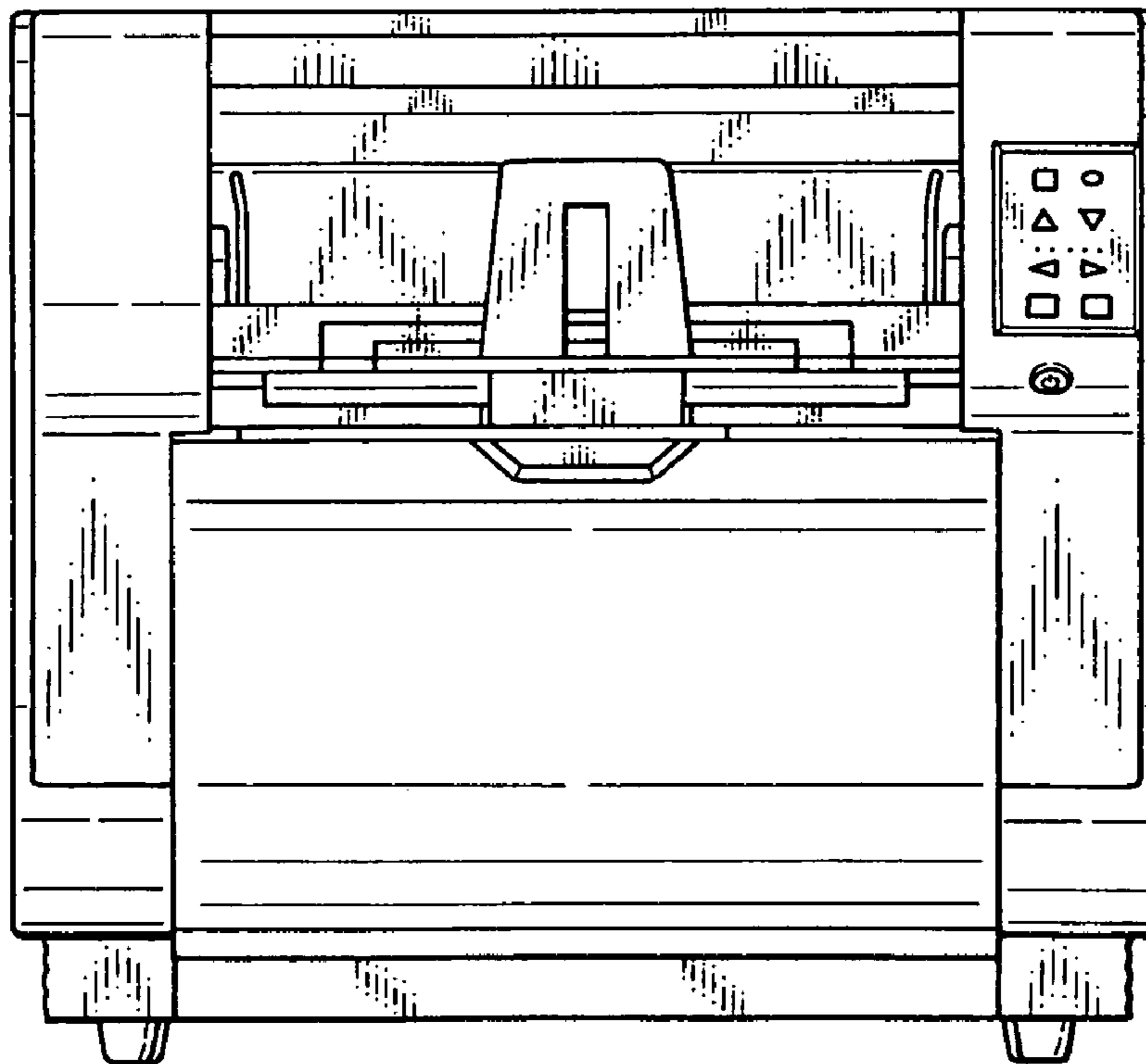


Fig.1

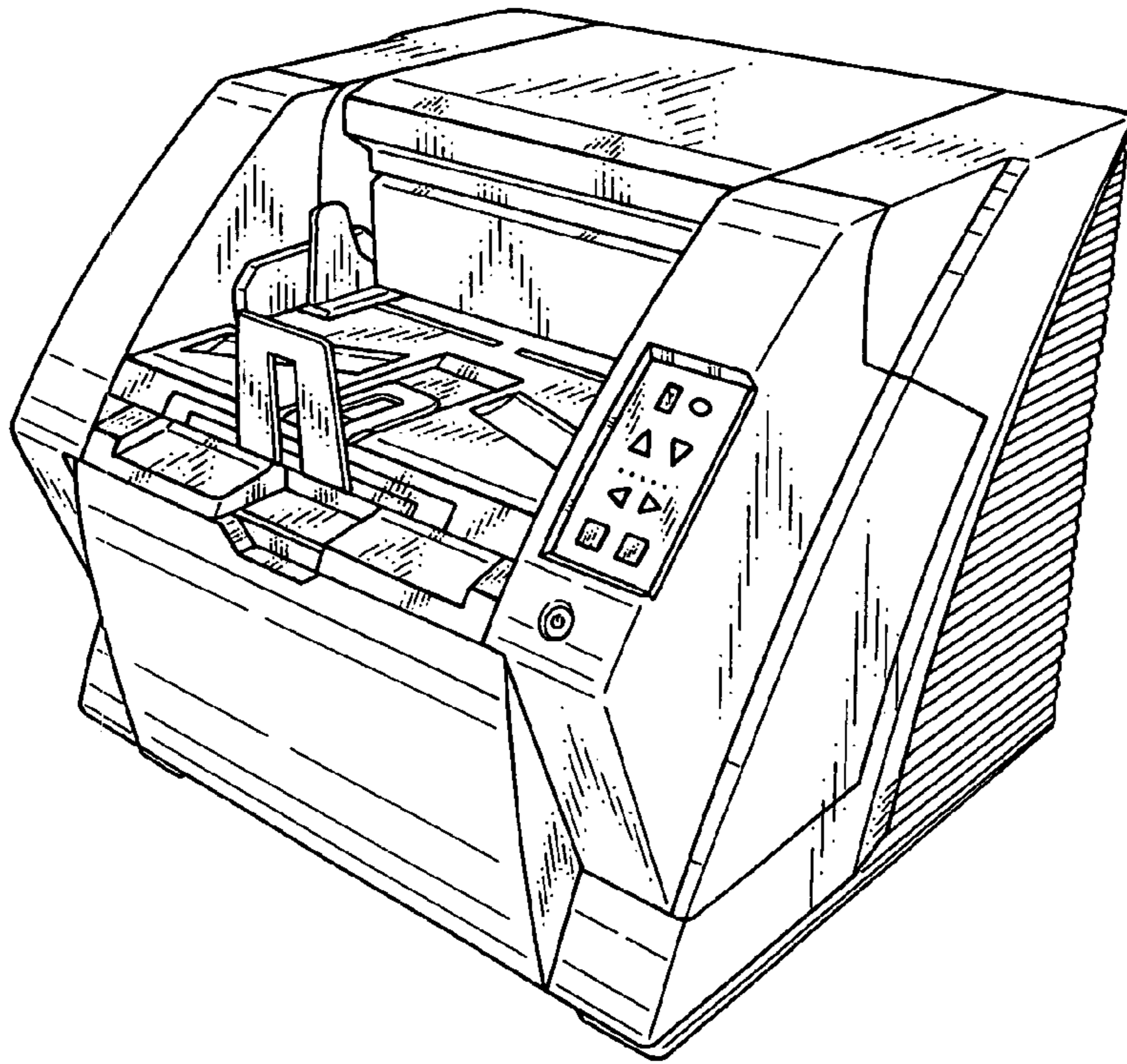


Fig.2

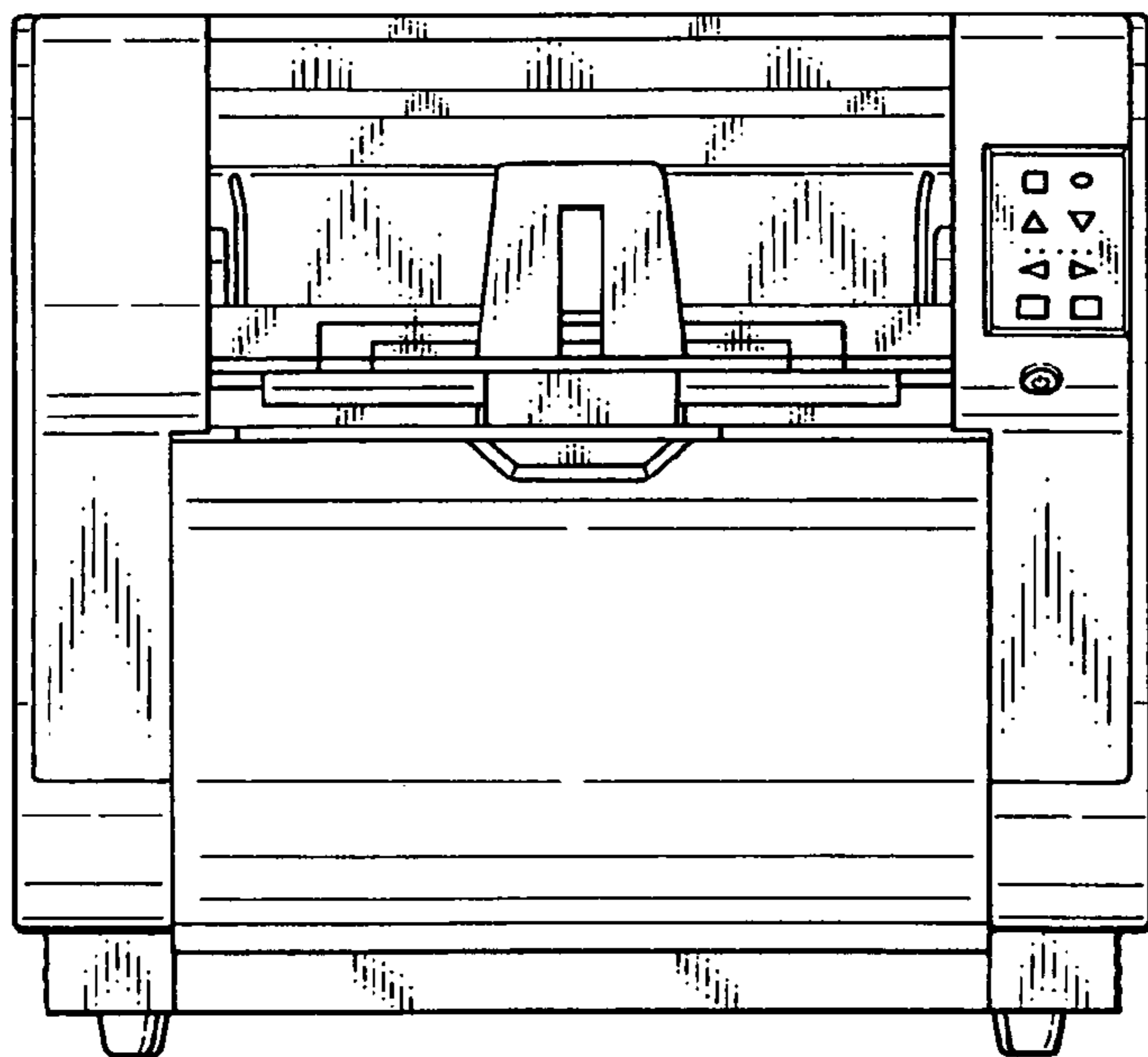


Fig.3

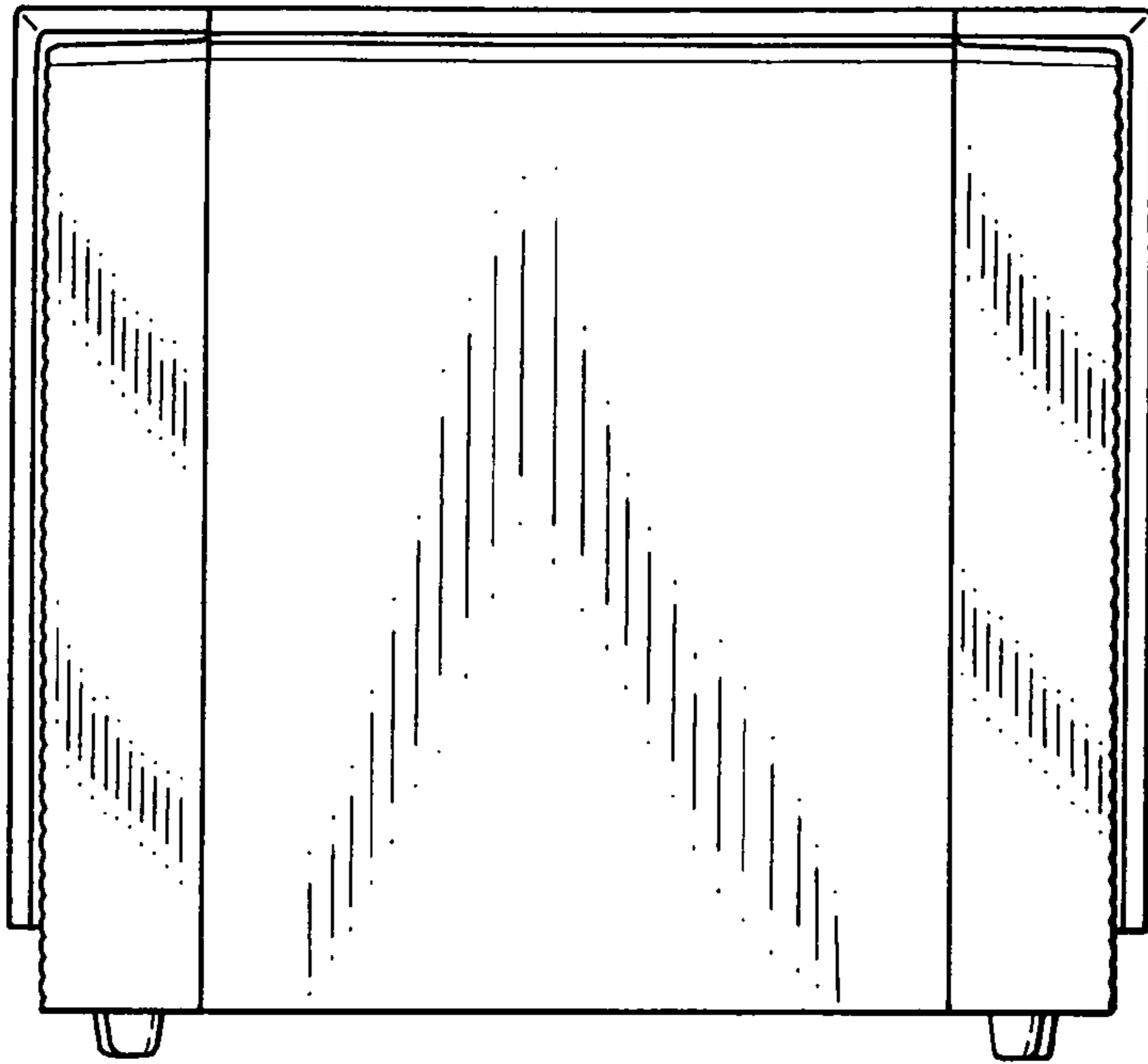


Fig.4

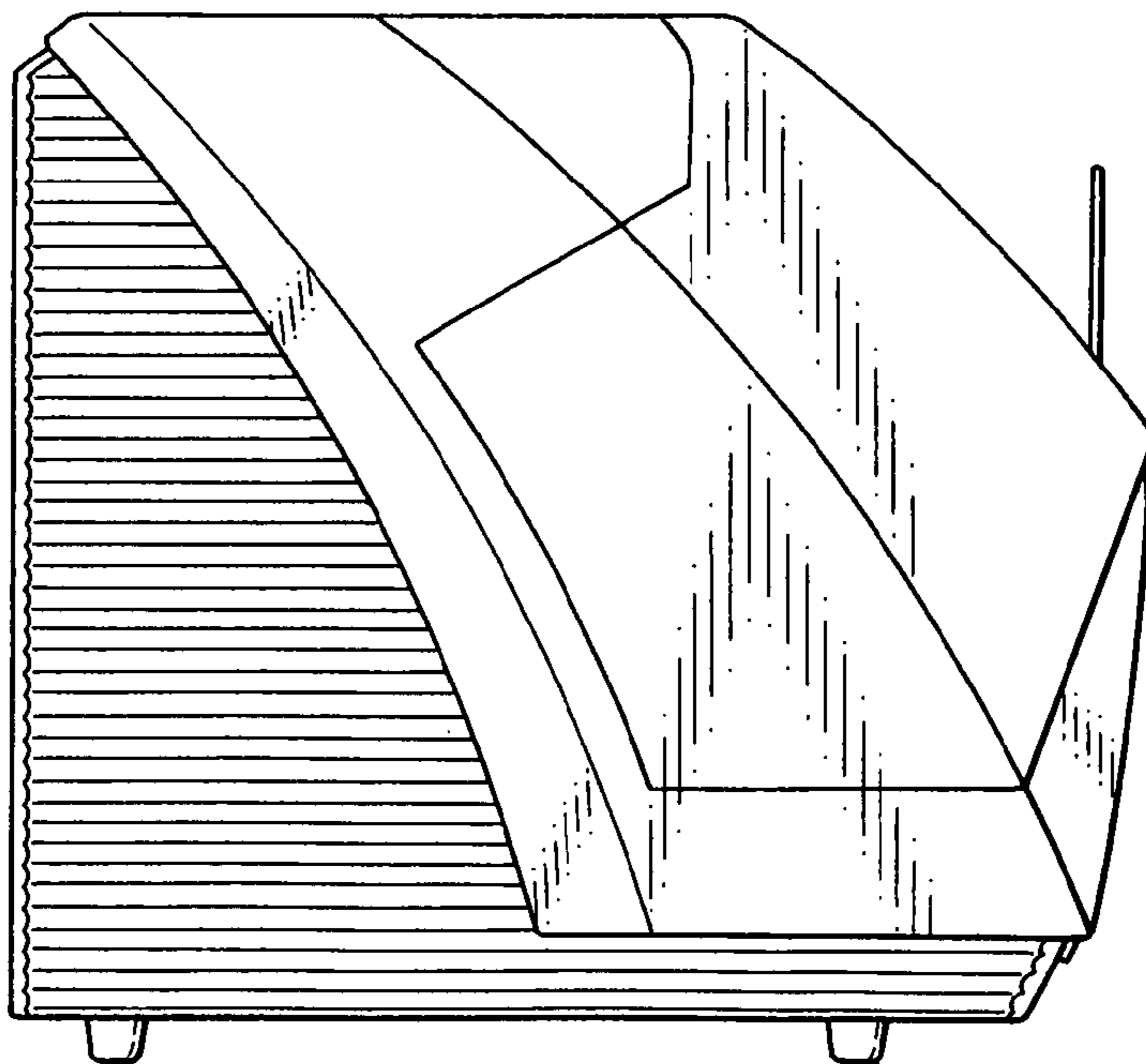


Fig.5

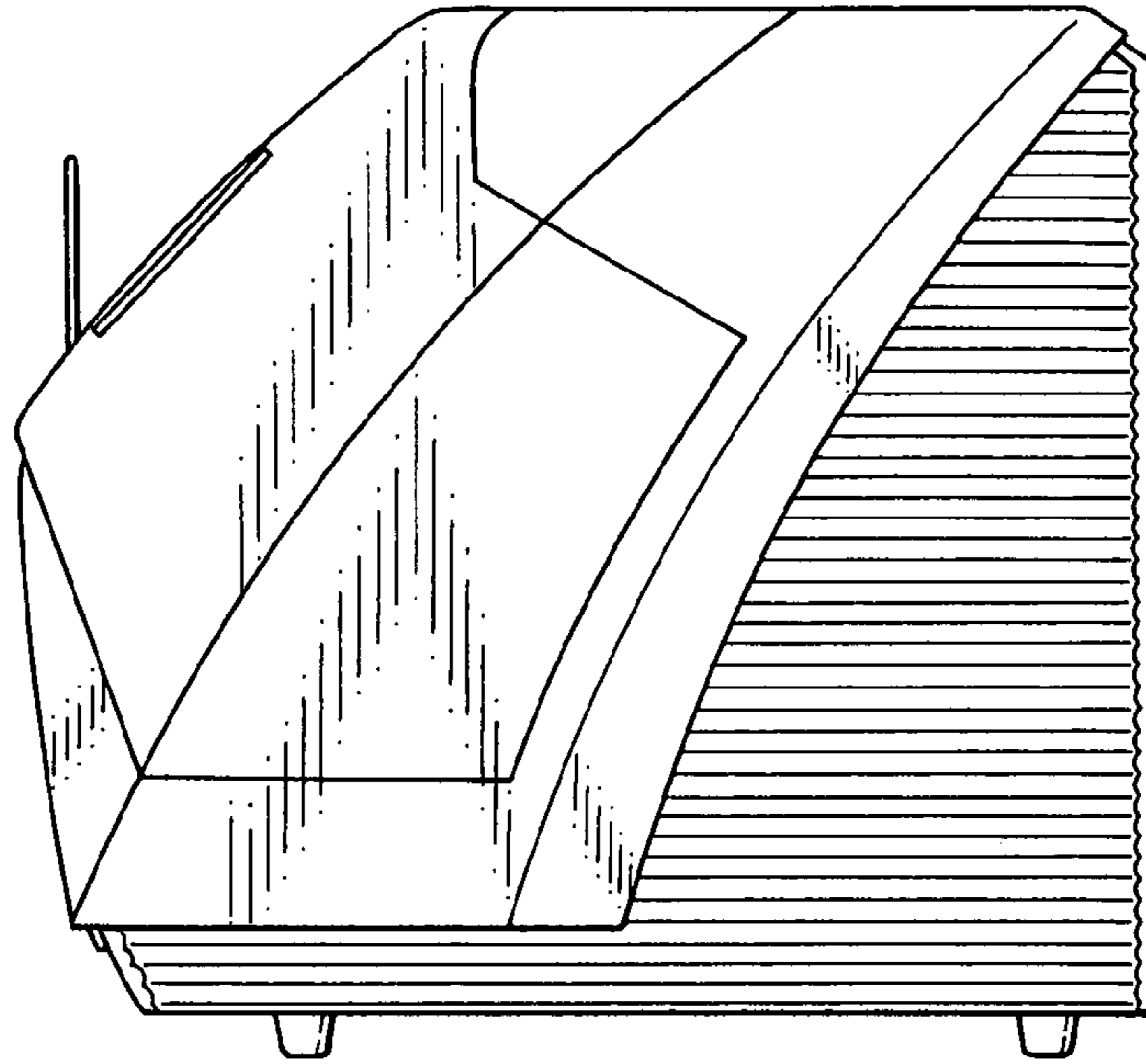


Fig.6

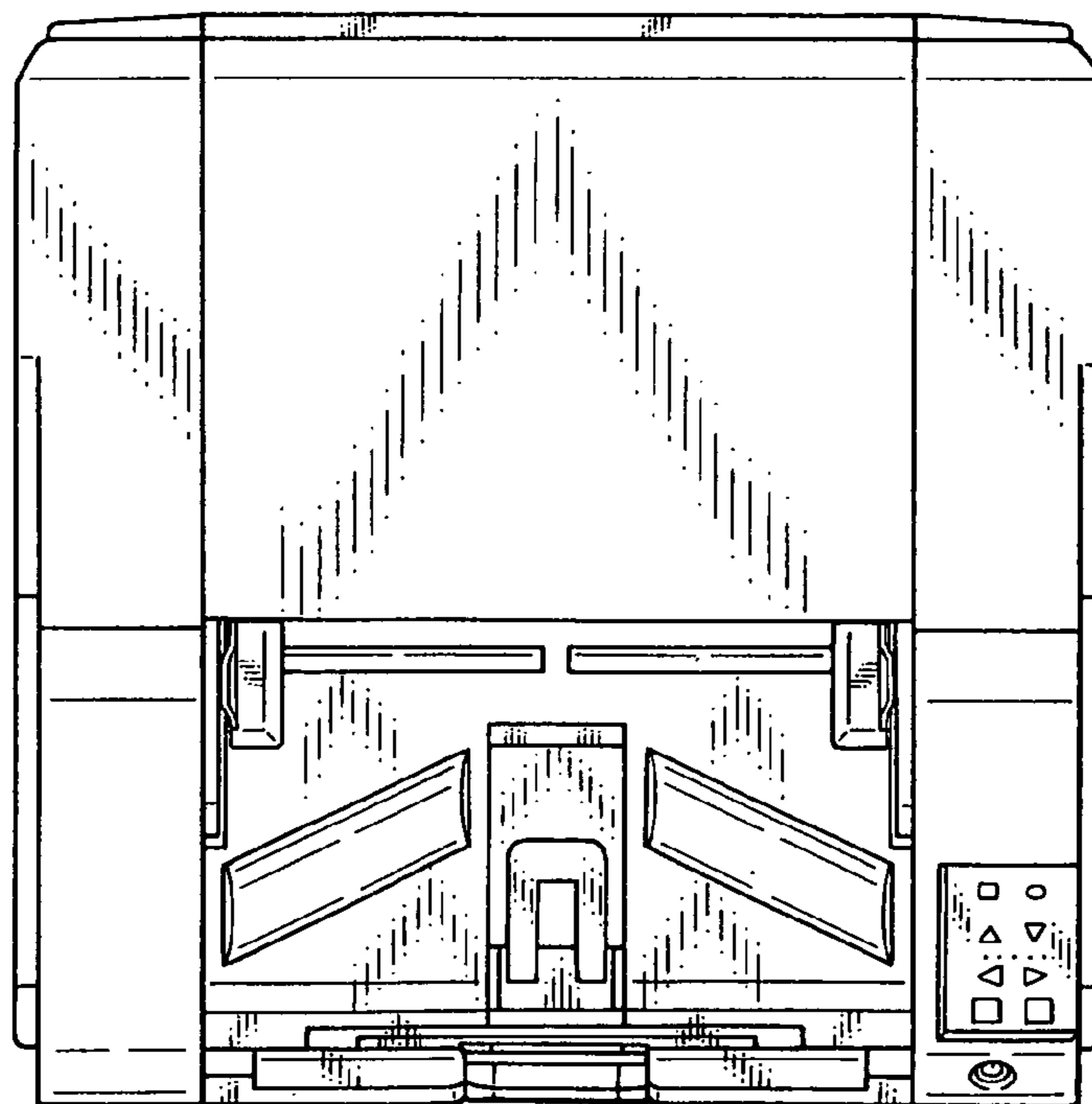


Fig.7

