



US00D552092S

(12) **United States Design Patent**
Fisher et al.

(10) **Patent No.:** **US D552,092 S**

(45) **Date of Patent:** **** Oct. 2, 2007**

(54) **PORTION OF AN ELECTRONIC MOUSE**

(75) Inventors: **Steven W. Fisher**, Kirkland, WA (US);
Robert M. Freed, Kenmore, WA (US)

(73) Assignee: **Microsoft Corporation**, Redmond, WA (US)

(**) Term: **14 Years**

(21) Appl. No.: **29/248,412**

(22) Filed: **Aug. 15, 2006**

(51) **LOC (8) Cl.** **14-02**

(52) **U.S. Cl.** **D14/402**

(58) **Field of Classification Search** D14/402-410,
D14/417; 200/5 A, 5 R, 6 A, 6 R; 273/148 B;
74/471 XY; 345/156-167; 463/36-38
See application file for complete search history.

(56) **References Cited**

U.S. PATENT DOCUMENTS

D460,072 S *	7/2002	Sheehan	D14/408
D464,652 S *	10/2002	Roh	D14/408
D467,925 S *	12/2002	Hu et al.	D14/408
D474,769 S *	5/2003	Fisher et al.	D14/408
D479,529 S *	9/2003	Sheehan et al.	D14/408
D488,157 S *	4/2004	Fisher	D14/408
D491,948 S *	6/2004	Fisher	D14/408
D491,949 S *	6/2004	Su et al.	D14/408
D504,133 S *	4/2005	Canavan et al.	D14/402
D514,106 S *	1/2006	Pan	D14/408
D528,118 S *	9/2006	Canavan et al.	D14/407

* cited by examiner

Primary Examiner—Pamela J. Burgess
(74) *Attorney, Agent, or Firm*—Banner & Witcoff, Ltd

(57) **CLAIM**

The ornamental design for a portion of an electronic mouse, as shown and described.

DESCRIPTION

FIG. 1 is a rear perspective view of a portion of an electronic mouse showing our new design;

FIG. 2 is a top view thereof;

FIG. 3 is a left side view thereof;

FIG. 4 is a right side view thereof;

FIG. 5 is a front view thereof;

FIG. 6 is a rear view thereof;

FIG. 7 is a rear perspective view of an alternate embodiment of our new design;

FIG. 8 is a top view thereof;

FIG. 9 is a left side view thereof;

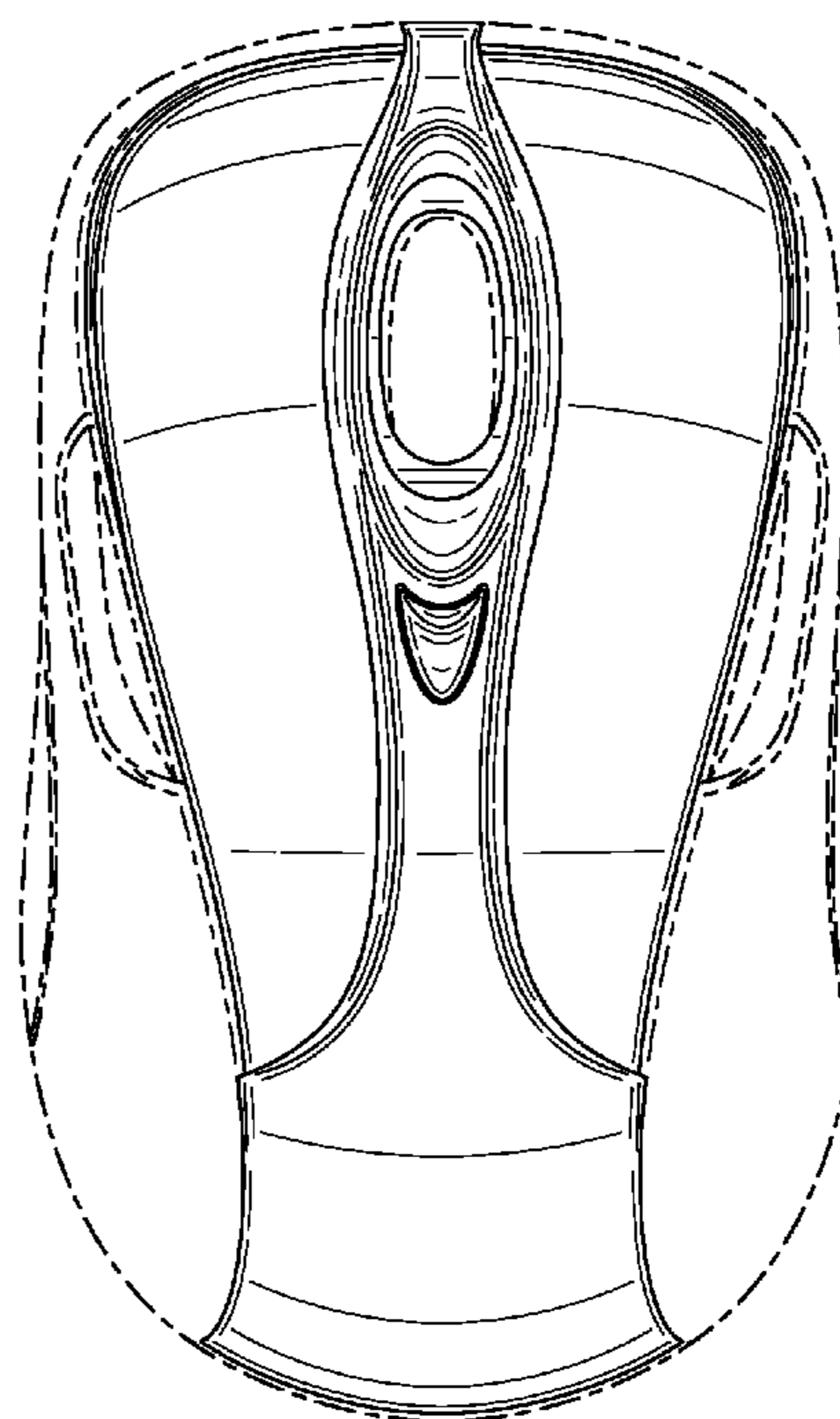
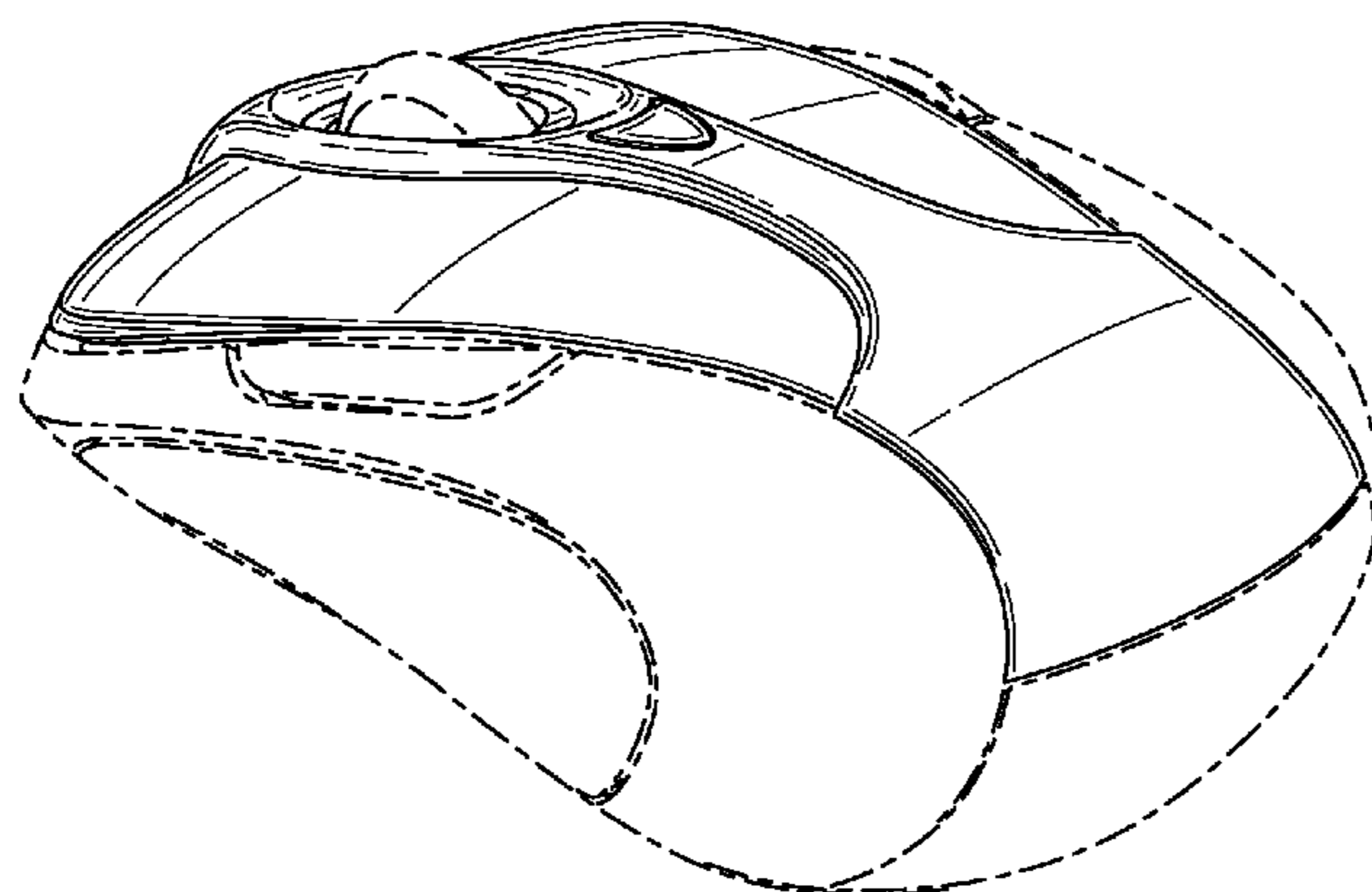
FIG. 10 is a right side view thereof;

FIG. 11 is a front view thereof, and,

FIG. 12 is a rear view thereof.

The broken line showing of various regions in the Figures, the unshaded areas therein and the remainder of the electronic mouse is for illustrative purposes only and forms no part of the claimed design.

1 Claim, 6 Drawing Sheets



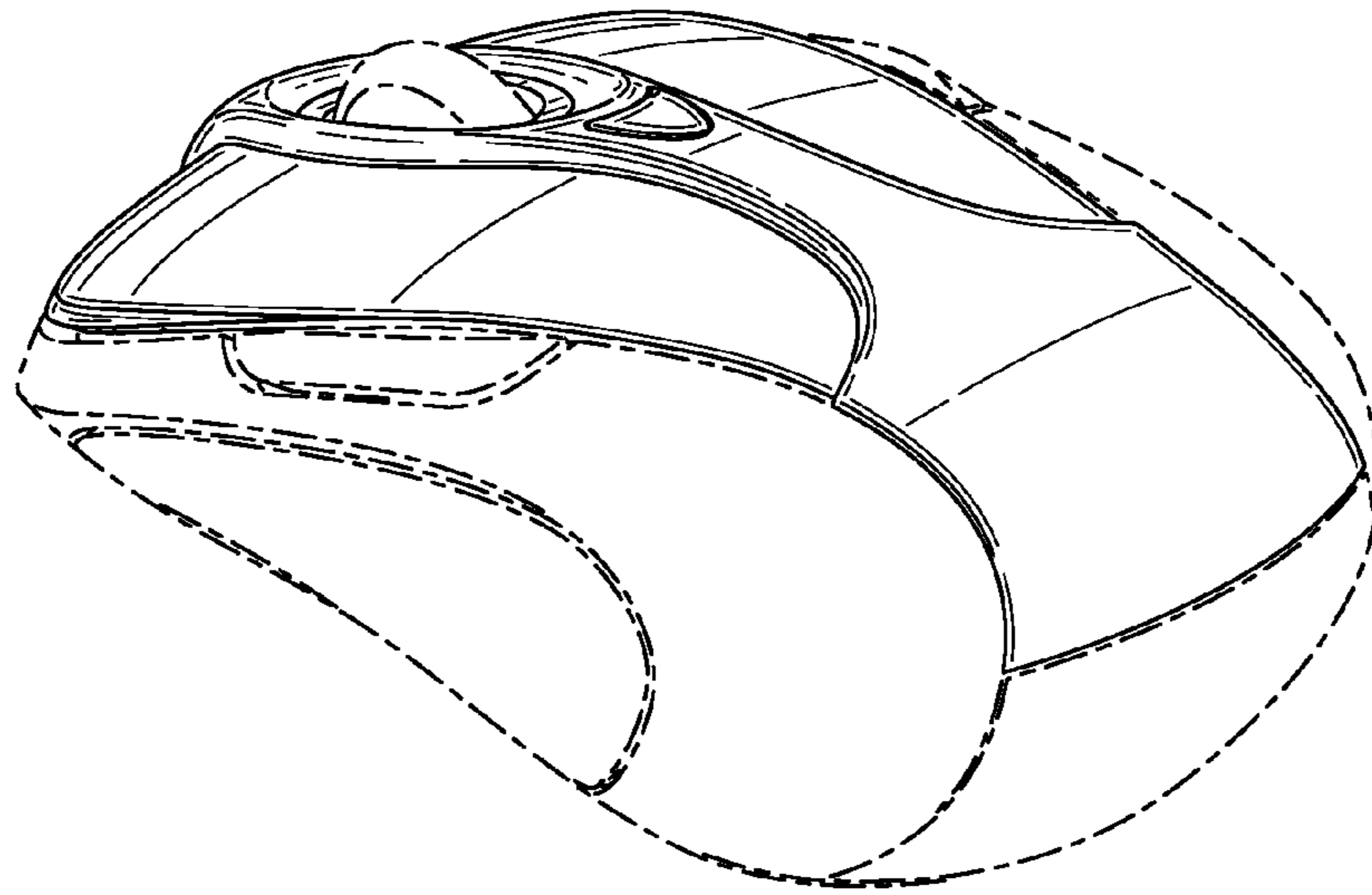


FIG. 1

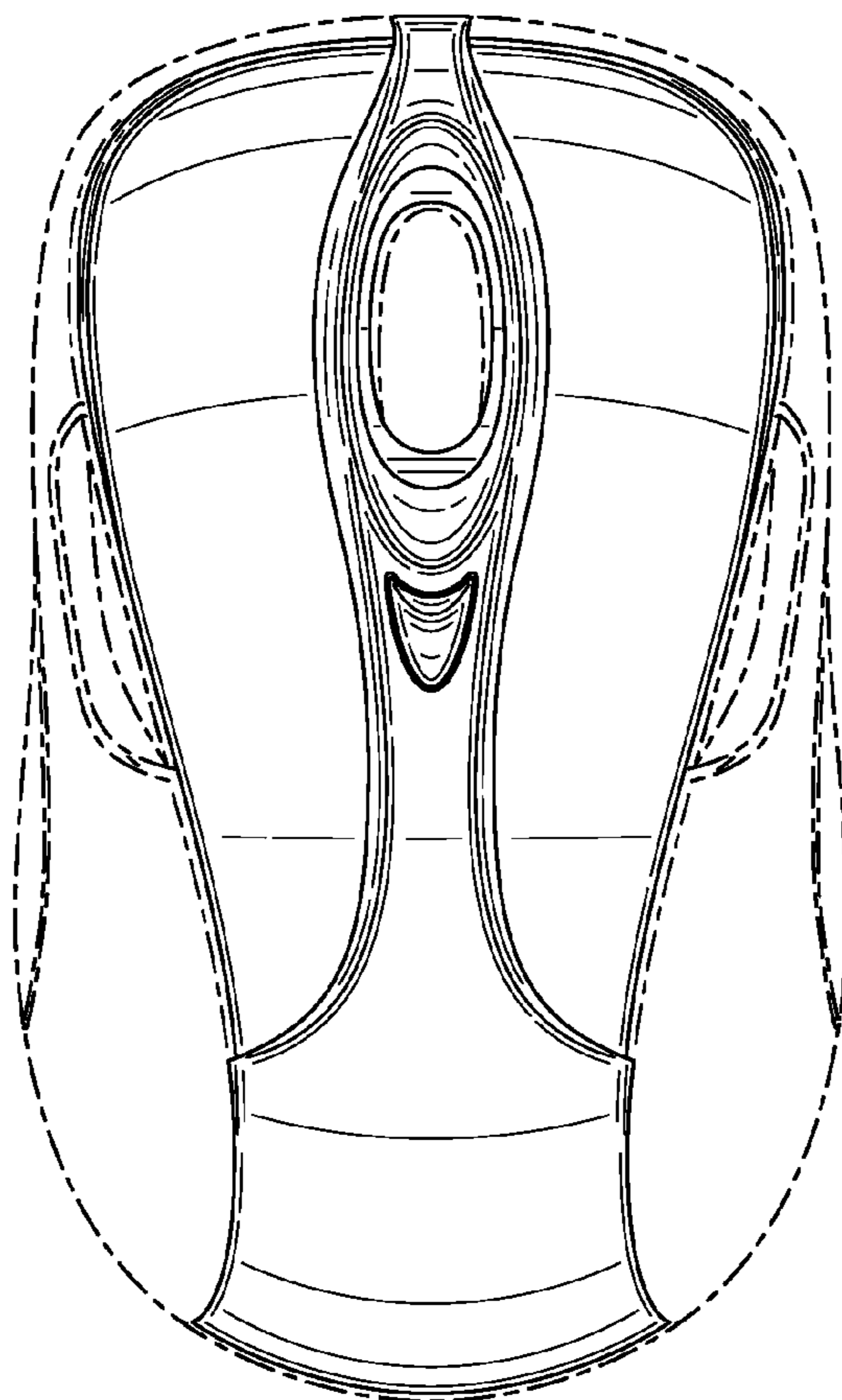


FIG. 2

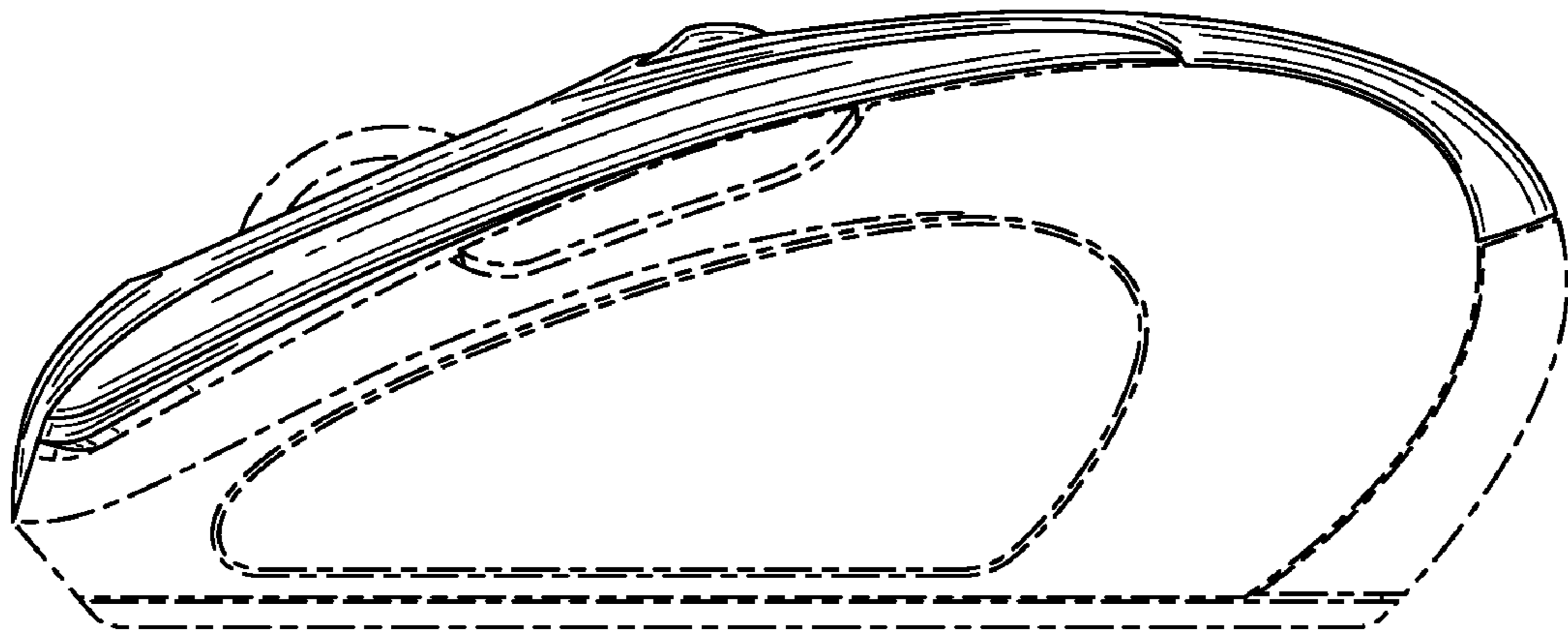


FIG. 3

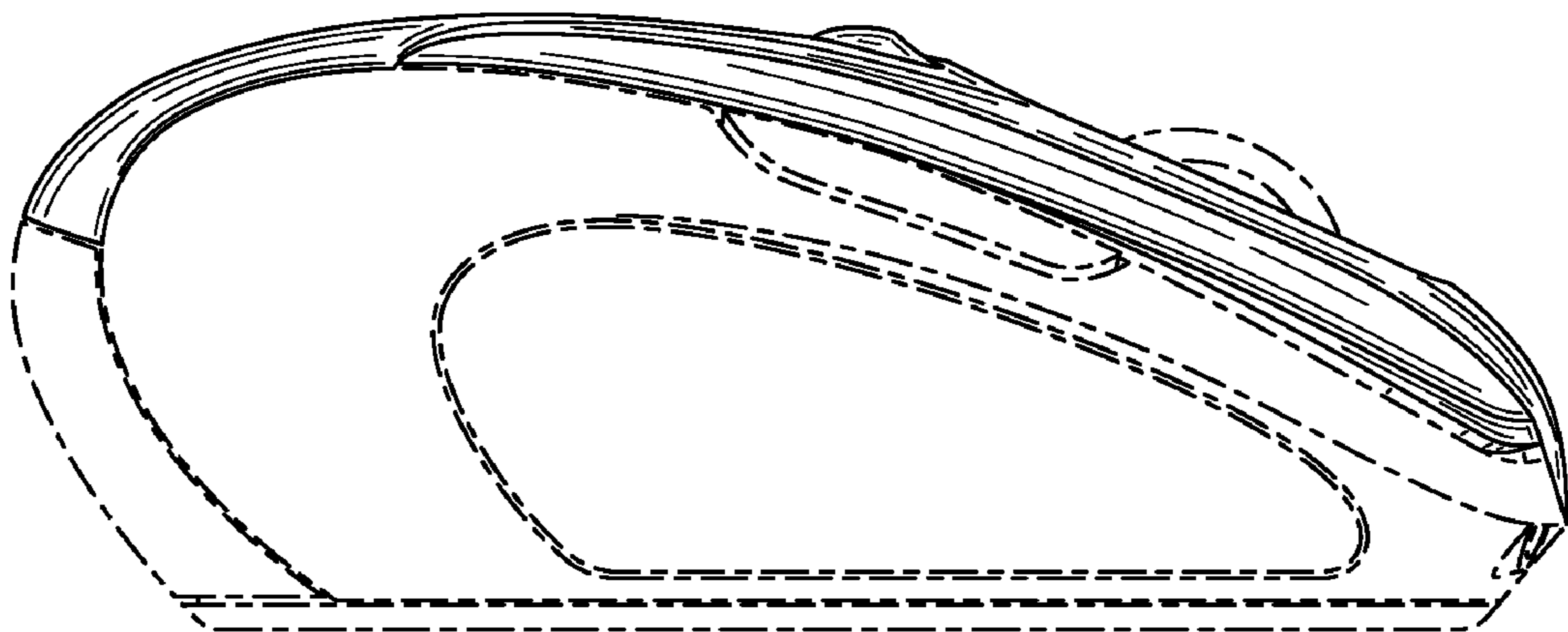


FIG. 4

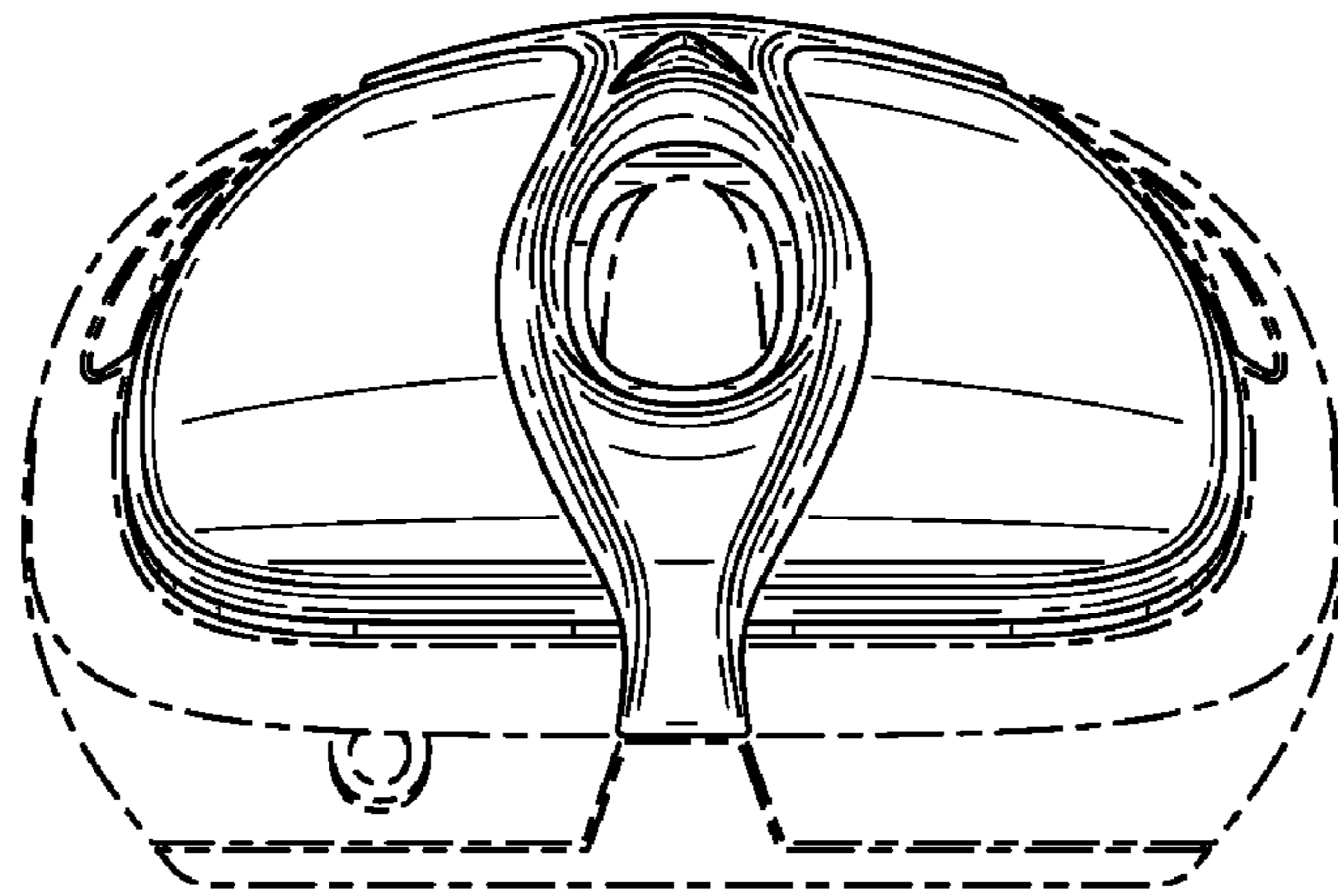


FIG. 5

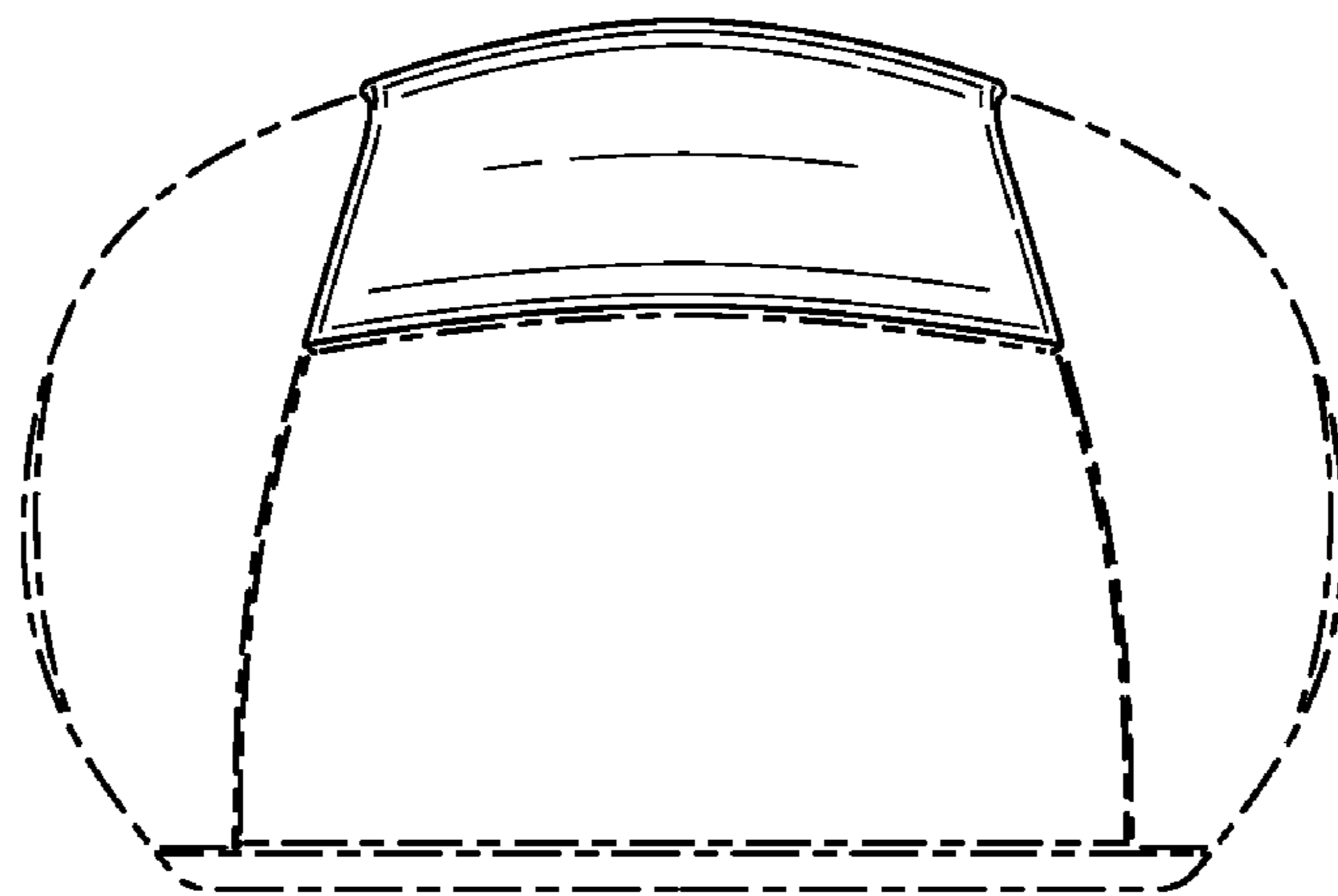


FIG. 6

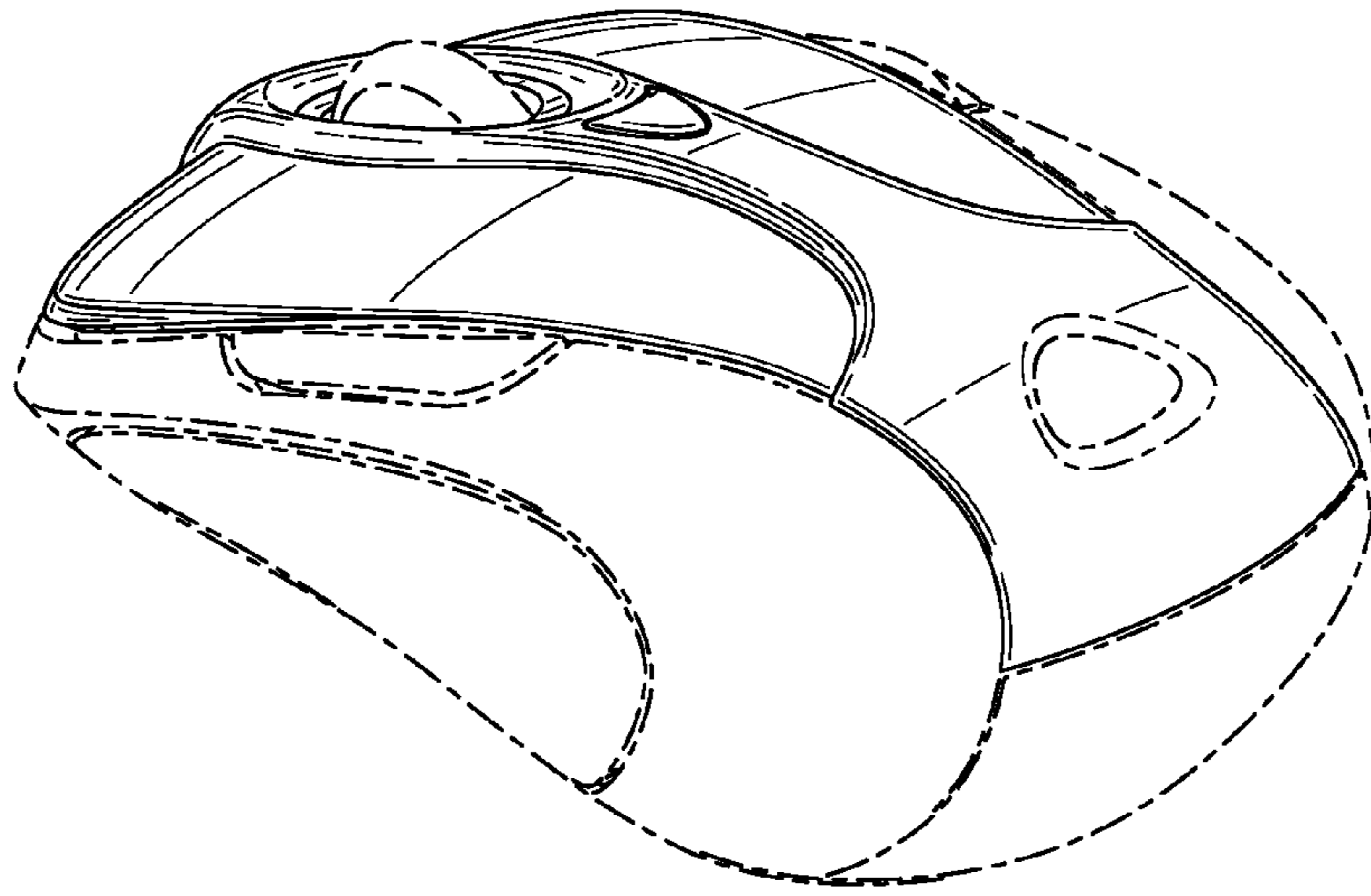


FIG. 7

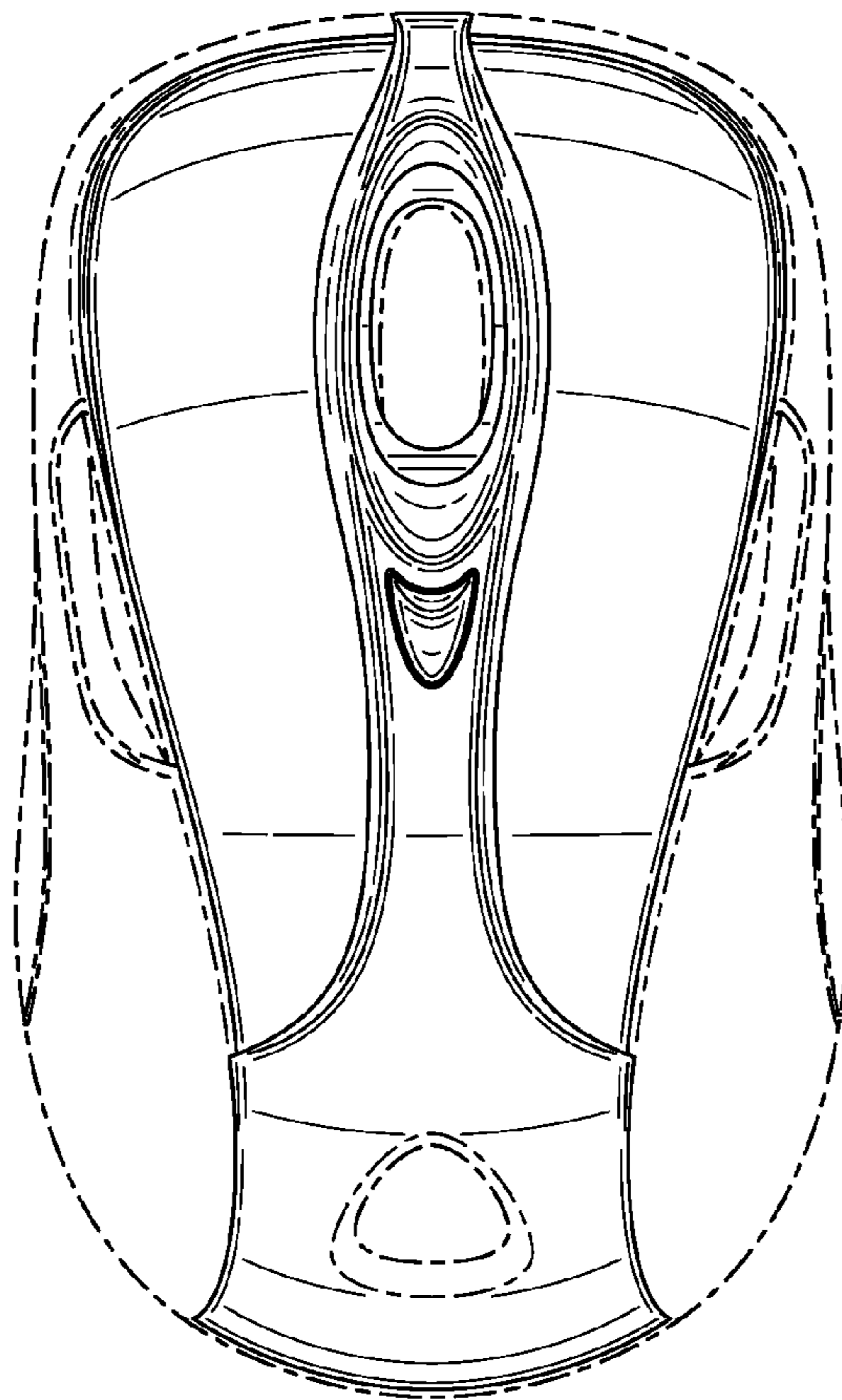


FIG. 8

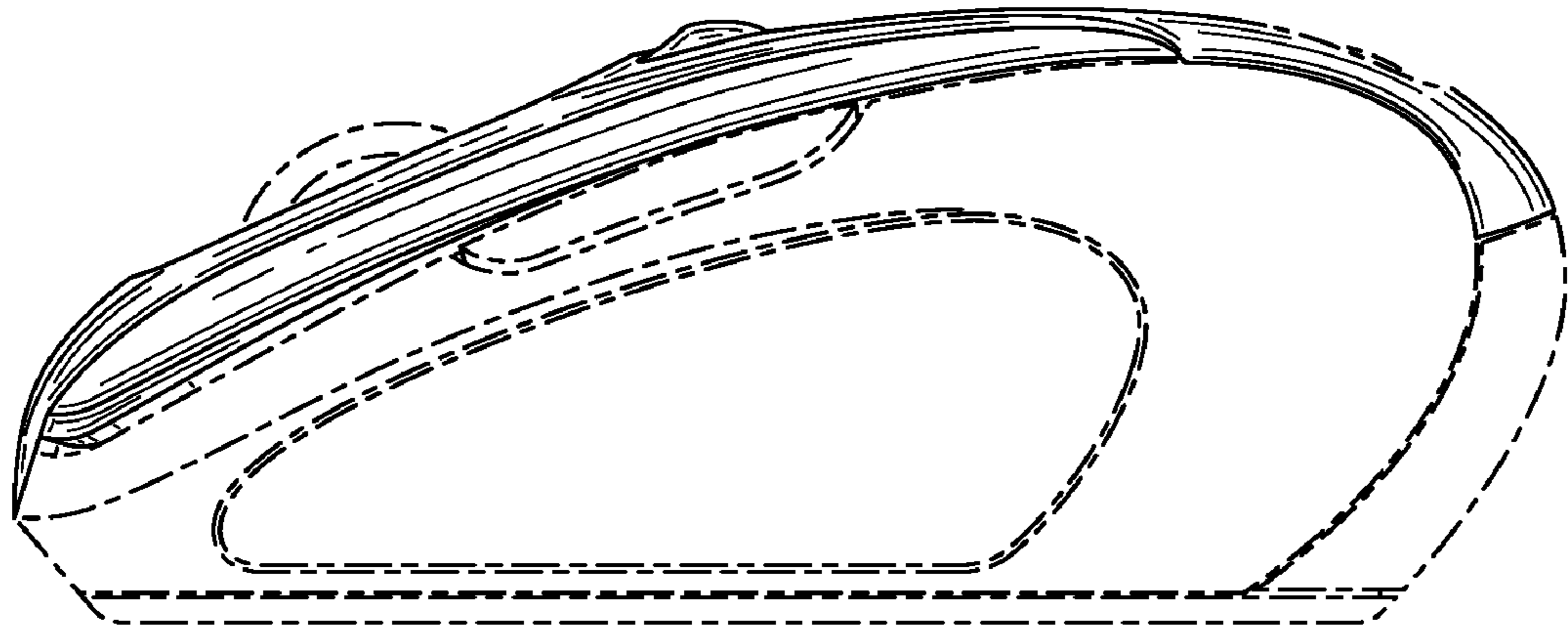


FIG. 9

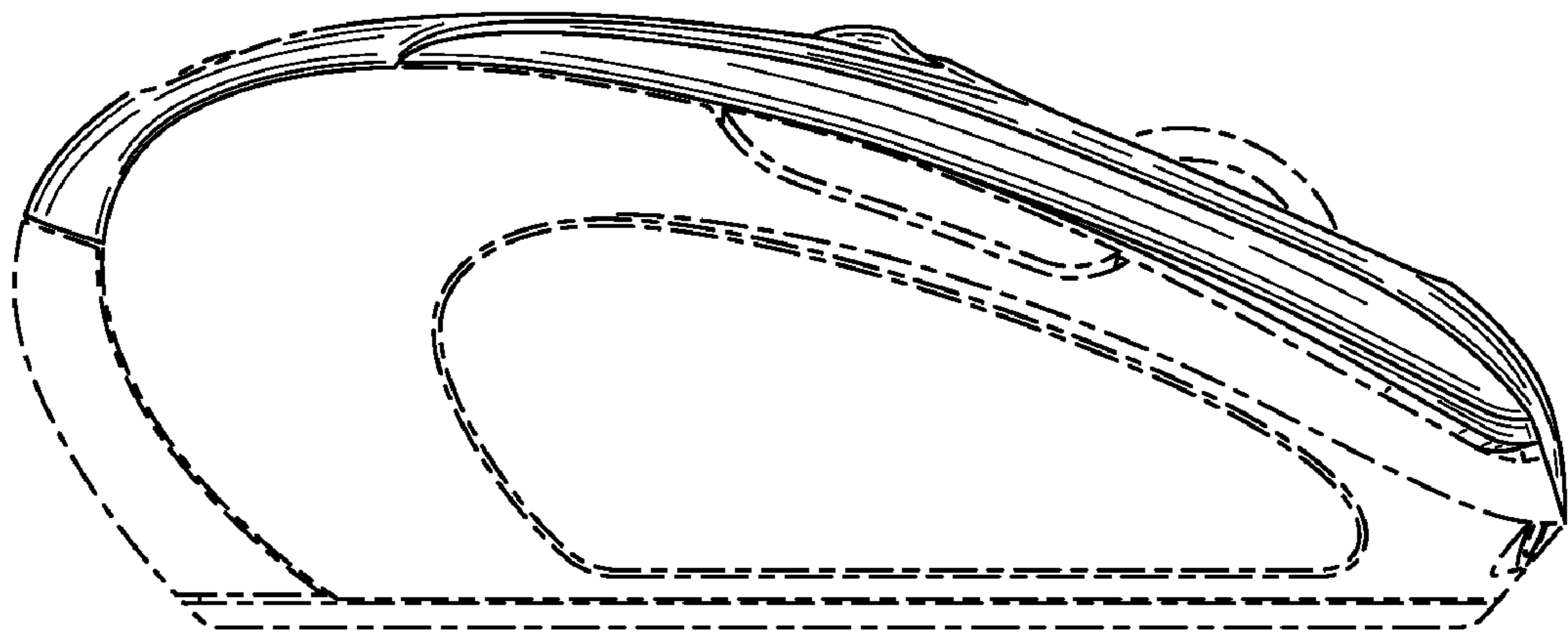


FIG. 10

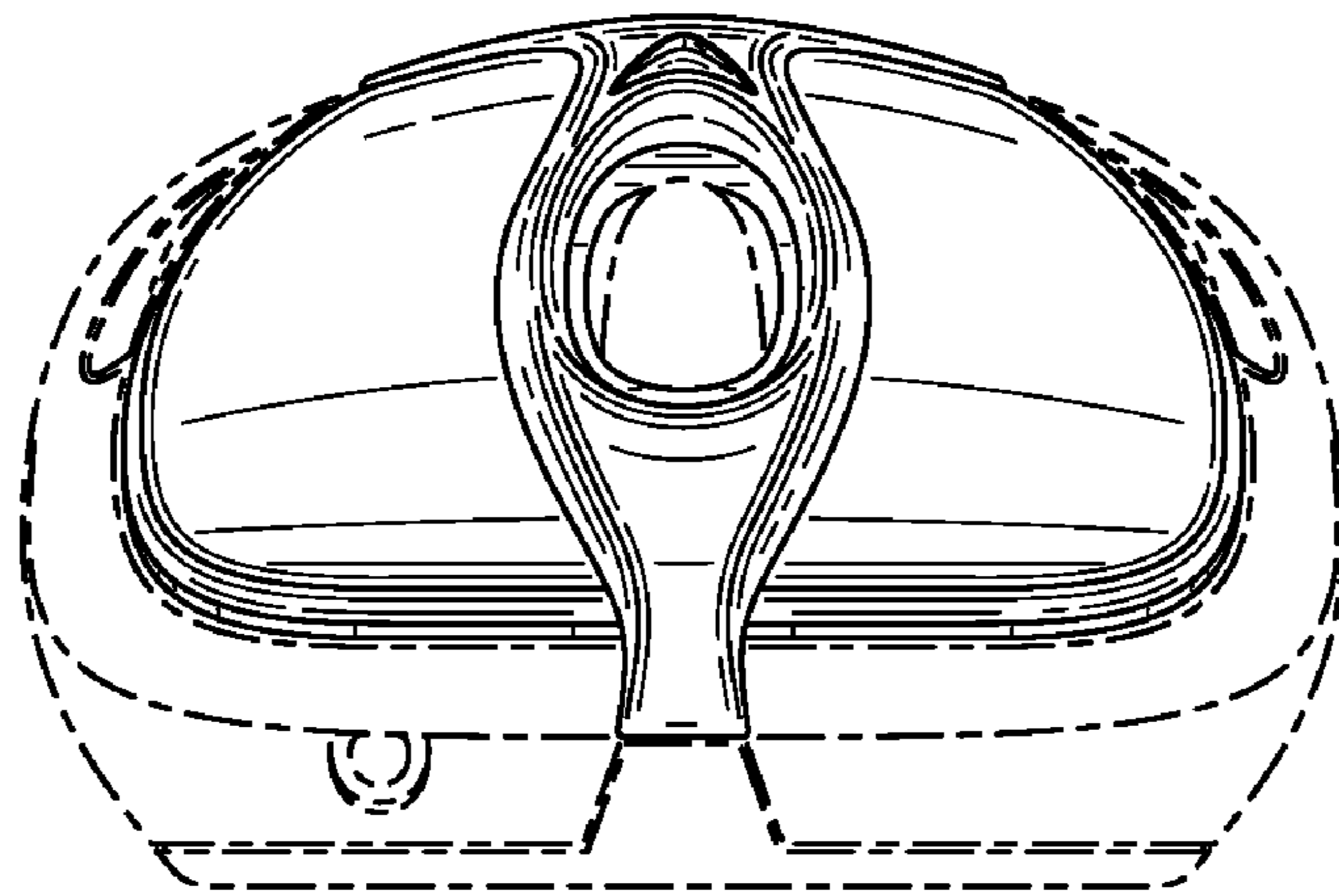


FIG. 11

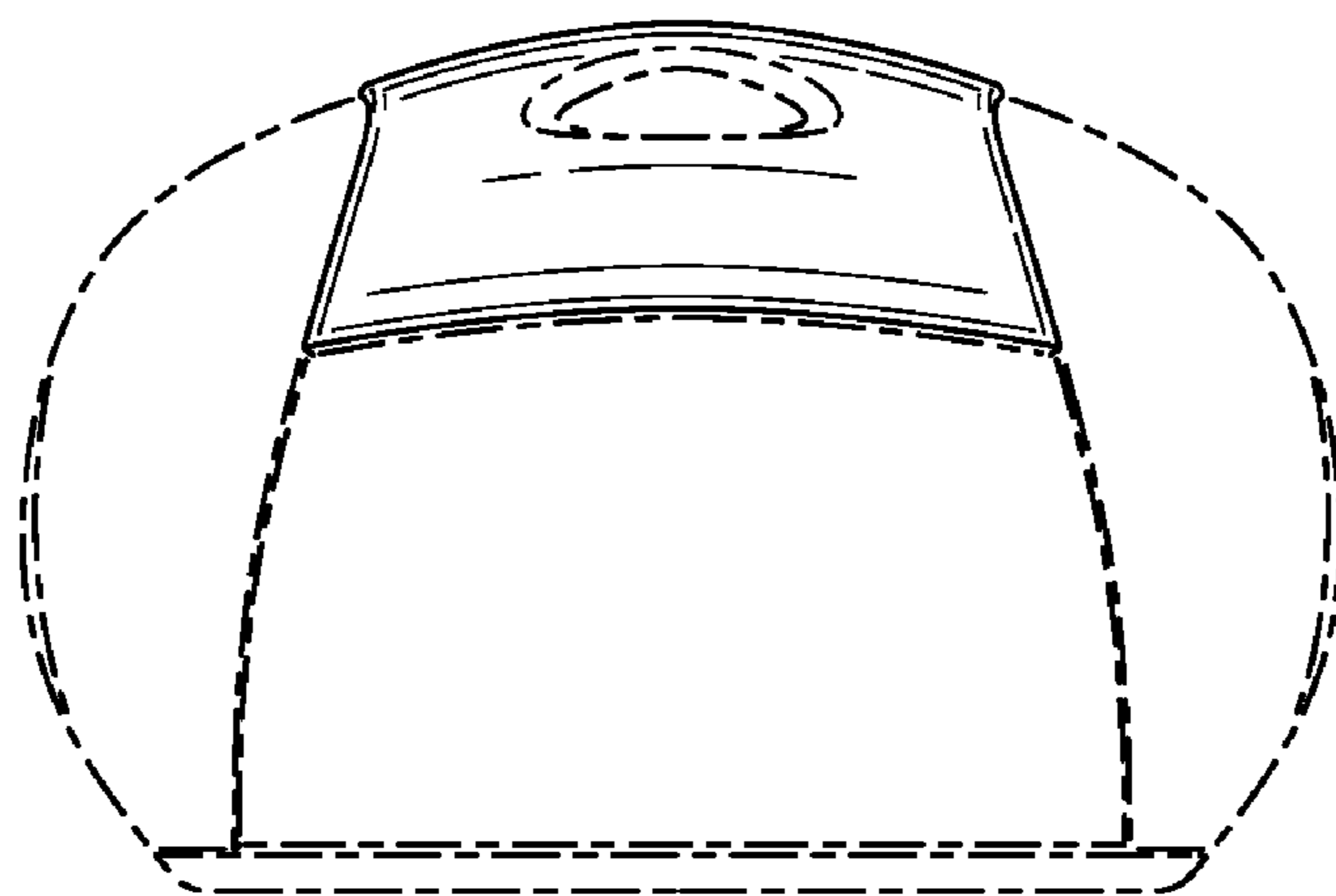


FIG. 12