



US00D552089S

(12) **United States Design Patent**
Fujii et al.

(10) **Patent No.:** **US D552,089 S**

(45) **Date of Patent:** **** Oct. 2, 2007**

(54) **PEDESTAL**

(75) Inventors: **Mitsunari Fujii**, Sasayama (JP);
Toshikazu Asanuma, Ibaraki (JP)

(73) Assignee: **Matsushita Electric Industrial Co., Ltd.**, Osaka (JP)

(**) Term: **14 Years**

(21) Appl. No.: **29/223,816**

(22) Filed: **Feb. 18, 2005**

(30) **Foreign Application Priority Data**

Aug. 18, 2004 (JP) 2004-024633

(51) **LOC (8) Cl.** **14-03**

(52) **U.S. Cl.** **D14/239; D14/126**

(58) **Field of Classification Search** D14/125-135,
D14/239, 379, 371, 374, 375, 376, 113; D13/151,
D13/153; 312/7.2; 348/836, 838, 180, 184,
348/325, 739; 341/12; 248/917-924; 345/104,
345/133, 156, 168, 87, 173; 349/1, 2, 11,
349/62

See application file for complete search history.

(56) **References Cited**

U.S. PATENT DOCUMENTS

- D434,738 S 12/2000 Takemasa
- D476,632 S 7/2003 Inoue et al.
- D483,020 S 12/2003 Nagao et al.
- D487,731 S 3/2004 Takami et al.
- D488,139 S 4/2004 Takami et al.
- D489,721 S * 5/2004 Peng et al. D14/371
- D496,009 S 9/2004 Takahashi et al.
- D496,341 S 9/2004 Nakata et al.

- D499,097 S * 11/2004 Tsuji et al. D14/375
- D505,926 S * 6/2005 Inoue et al. D14/126
- D508,470 S * 8/2005 Inoue et al. D14/126
- D512,423 S * 12/2005 Tanimura et al. D14/371
- D515,523 S * 2/2006 Asanuma et al. D14/129
- D521,503 S * 5/2006 Takami et al. D14/230
- D531,179 S * 10/2006 Yamashiro et al. D14/375

FOREIGN PATENT DOCUMENTS

JP D1215663 8/2004

* cited by examiner

Primary Examiner—Raphael Barkai
Assistant Examiner—Randall H. Gholson

(74) *Attorney, Agent, or Firm*—Brinks Hofer Gilson & Lione

(57) **CLAIM**

We claim the ornamental design for a pedestal, as shown and described.

DESCRIPTION

FIG. 1 is a top perspective view of a pedestal of the present invention;

FIG. 2 is a front view thereof;

FIG. 3 is a first side view thereof;

FIG. 4 is a second side view thereof;

FIG. 5 is a top view thereof;

FIG. 6 is a rear view thereof; and,

FIG. 7 is a bottom view thereof.

The ornamental design which is claimed is shown in solid lines in the drawings. Any broken lines in the drawings are for illustrative purposes only and form no part of the claimed design.

1 Claim, 3 Drawing Sheets

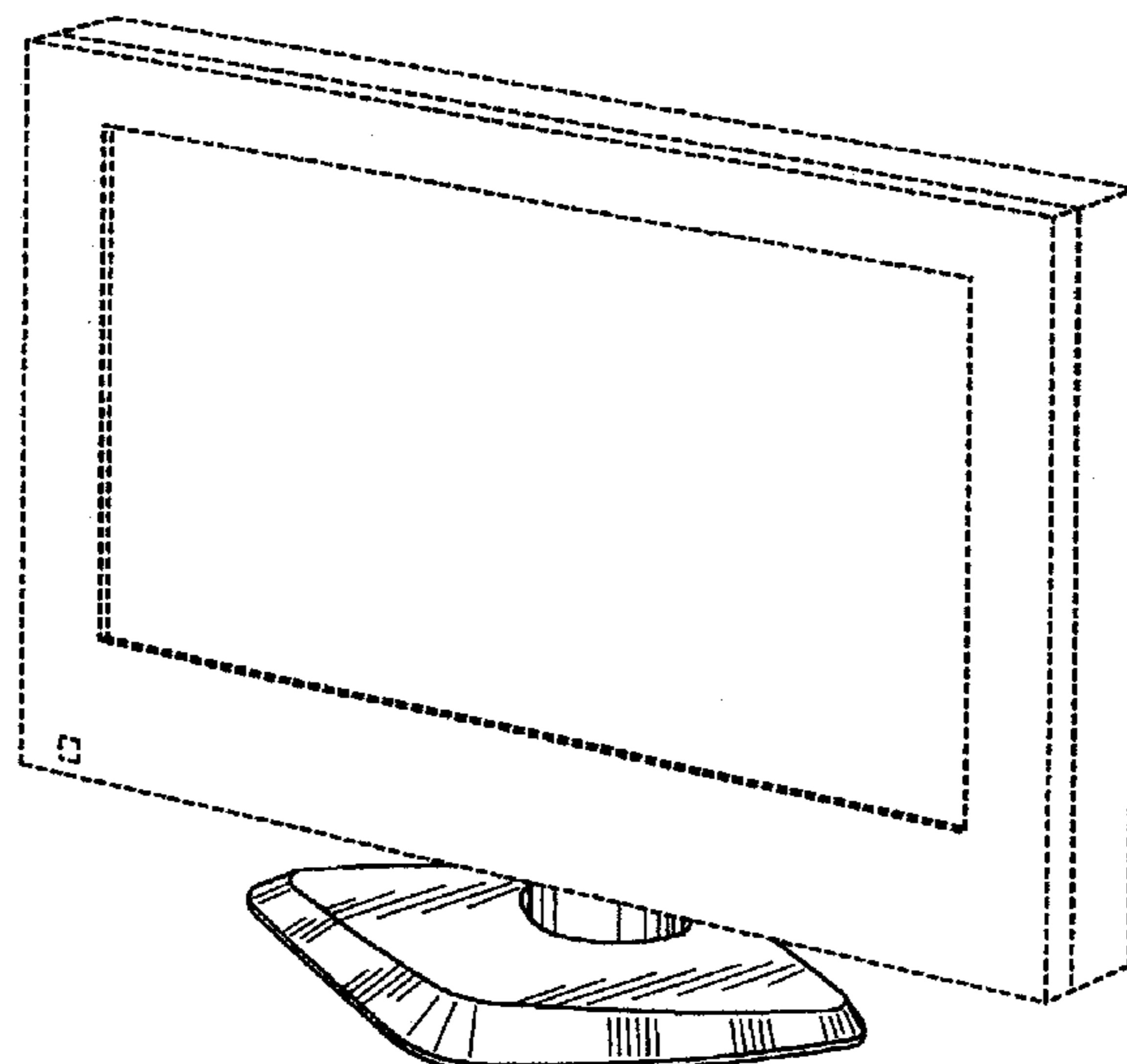


FIG.1

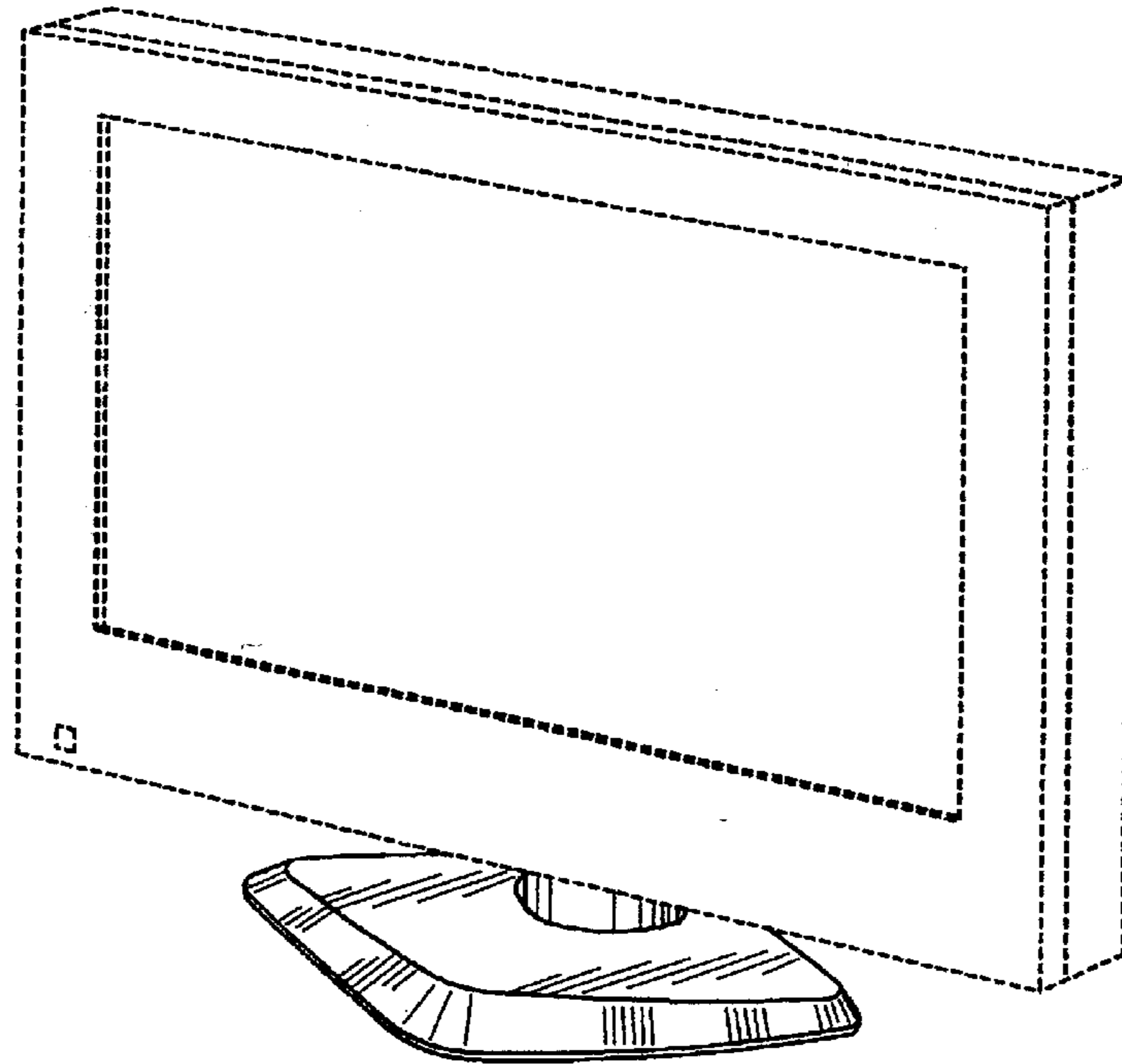


FIG.2

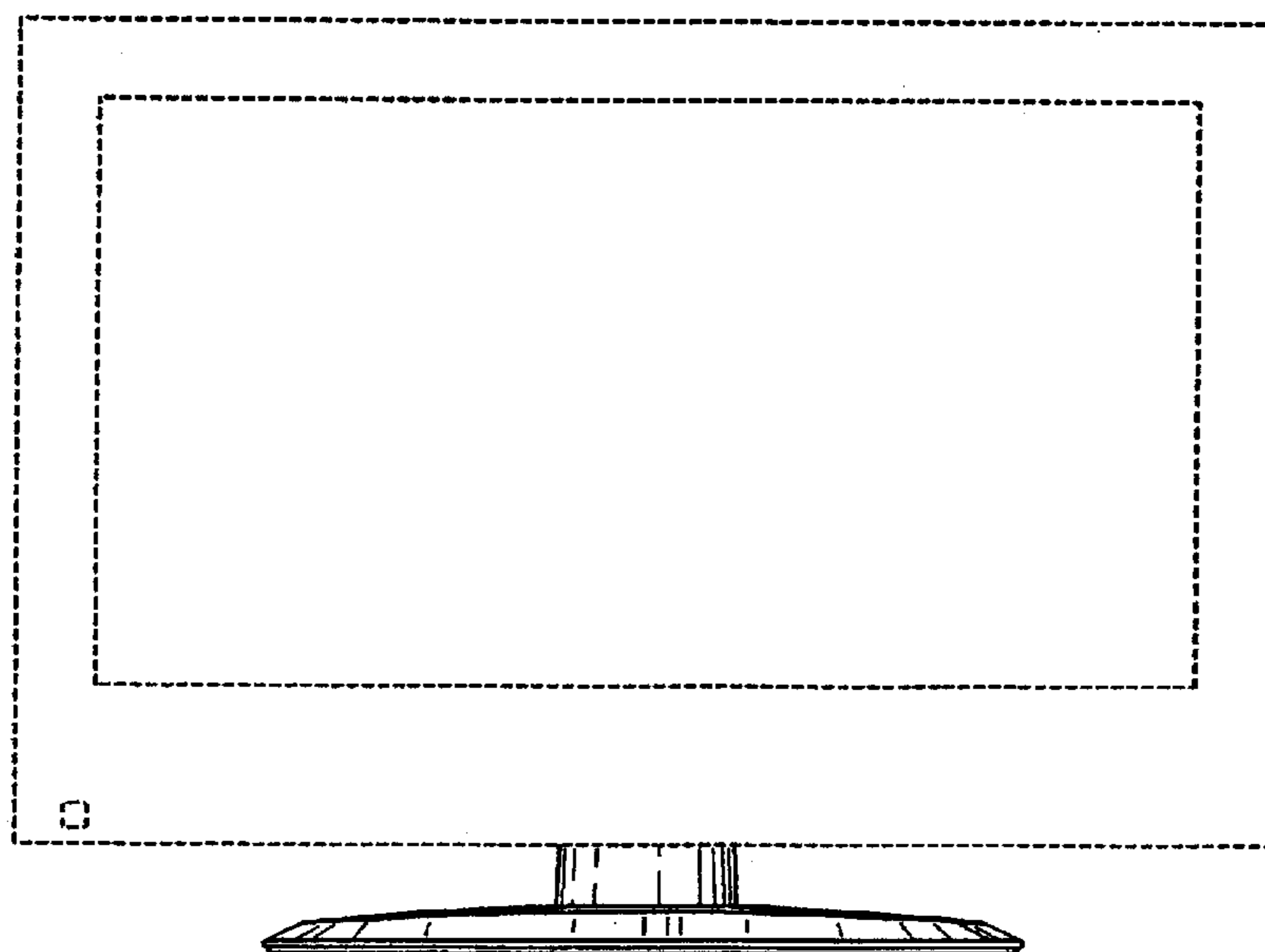


FIG.3

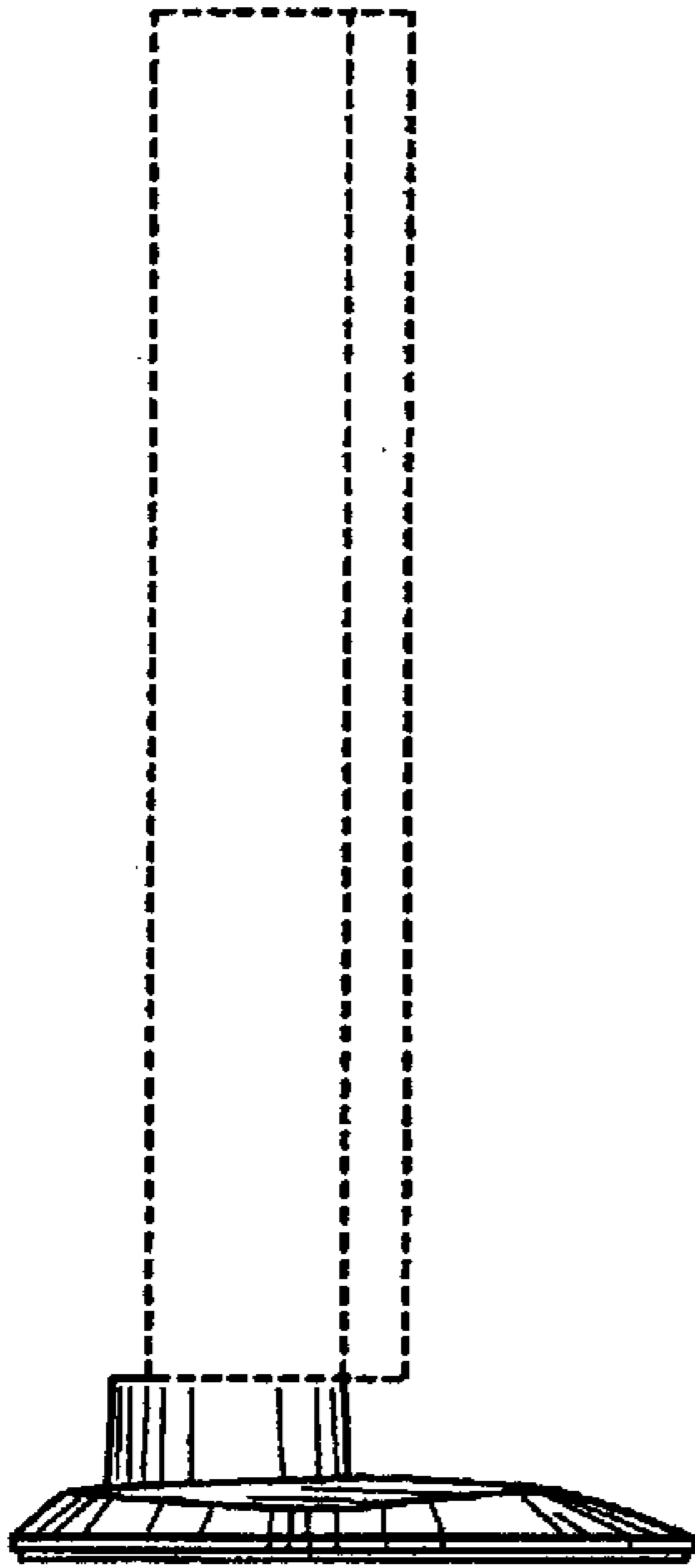


FIG.4

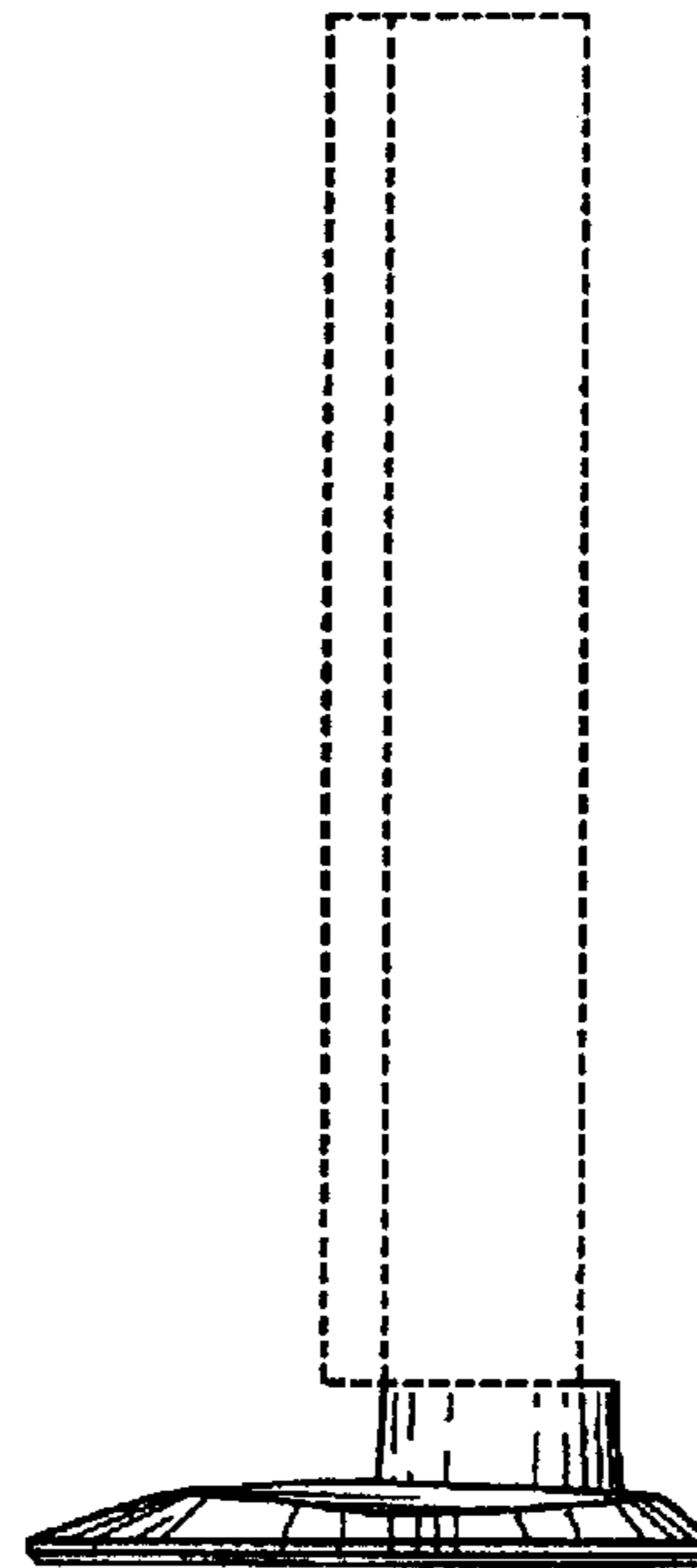


FIG.5

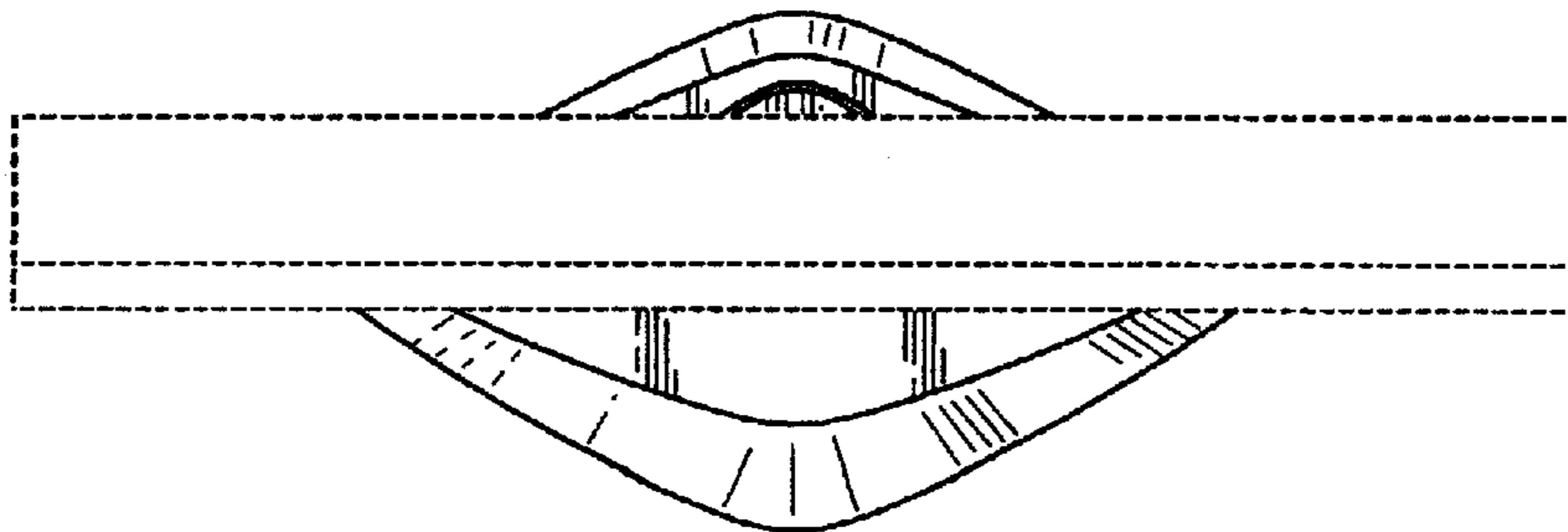


FIG.6

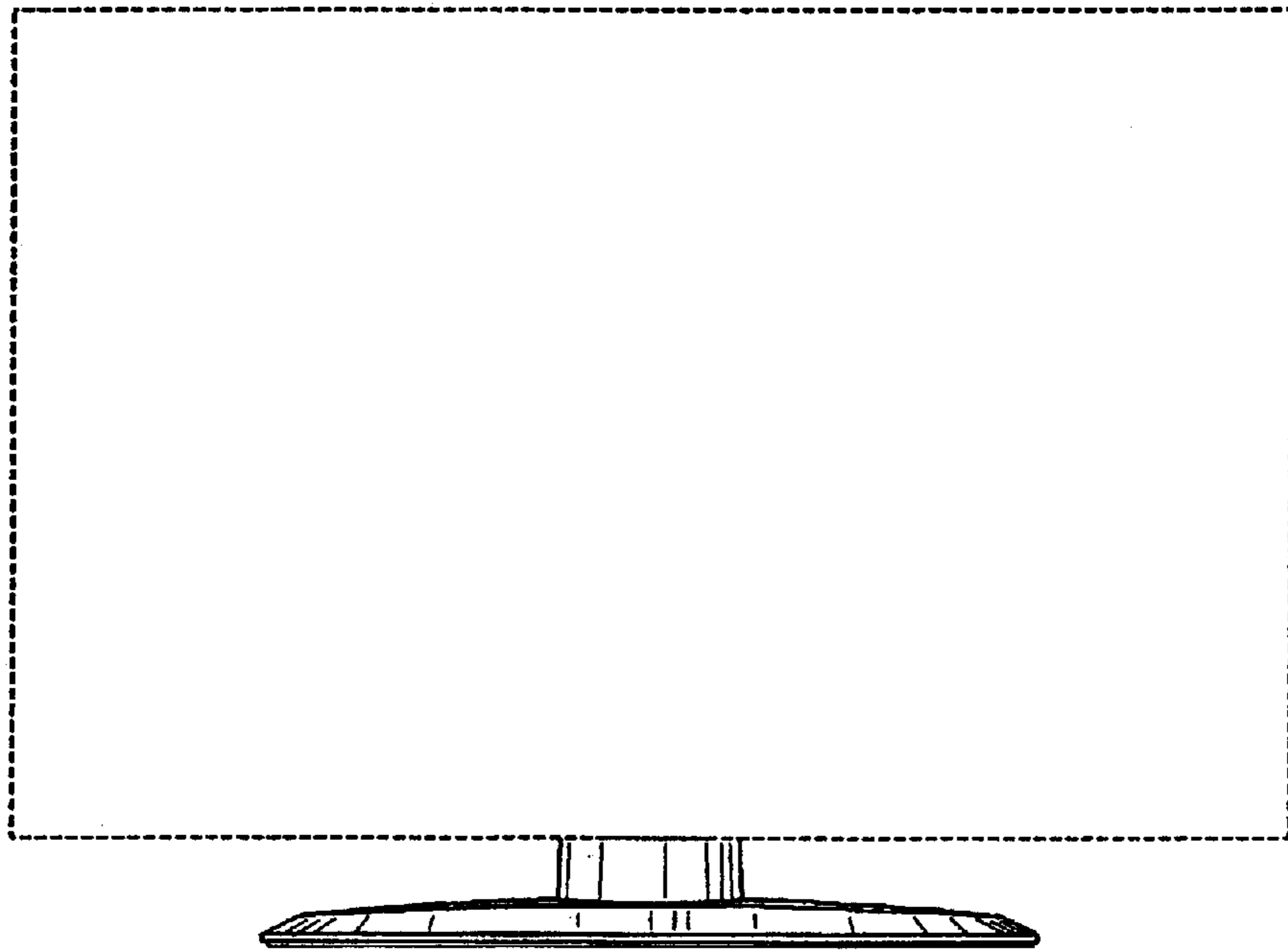


FIG.7

