

US00D552087S

(12) **United States Design Patent**
Wei

(10) **Patent No.:** **US D552,087 S**

(45) **Date of Patent:** **** Oct. 2, 2007**

(54) **BLUETOOTH EARPHONE AND ADAPTER**

D518,477 S * 4/2006 Chen D14/223

(75) Inventor: **Chung-Shan Wei**, Taipei (TW)

* cited by examiner

(73) Assignee: **He-And Technology Co., Ltd.**, Taipei (TW)

Primary Examiner—Paula A. Greene

(74) *Attorney, Agent, or Firm*—Rosenberg, Klein & Lee

(**) Term: **14 Years**

(57) **CLAIM**

(21) Appl. No.: **29/257,026**

The ornamental design for a “bluetooth earphone and adapter”, as shown and described.

(22) Filed: **Mar. 29, 2006**

DESCRIPTION

(51) **LOC (8) Cl.** **14-01**

(52) **U.S. Cl.** **D14/223**

(58) **Field of Classification Search** D14/137,
D14/138, 142, 147, 148, 150, 155, 191, 240,
D14/299, 181, 188, 192, 205, 206, 223; 320/111,
320/113; 379/430, 431, 454, 455; 381/374,
381/380, 381; 455/573

See application file for complete search history.

FIG. 1 is a perspective view of a “bluetooth earphone and adapter” showing my new design;

FIG. 2 is a front view thereof;

FIG. 3 is a rear view thereof;

FIG. 4 is a left side view thereof;

FIG. 5 is a right side view thereof;

FIG. 6 is a top view thereof;

FIG. 7 is a bottom view thereof;

FIG. 8 is a perspective view of the support in an opened state; and,

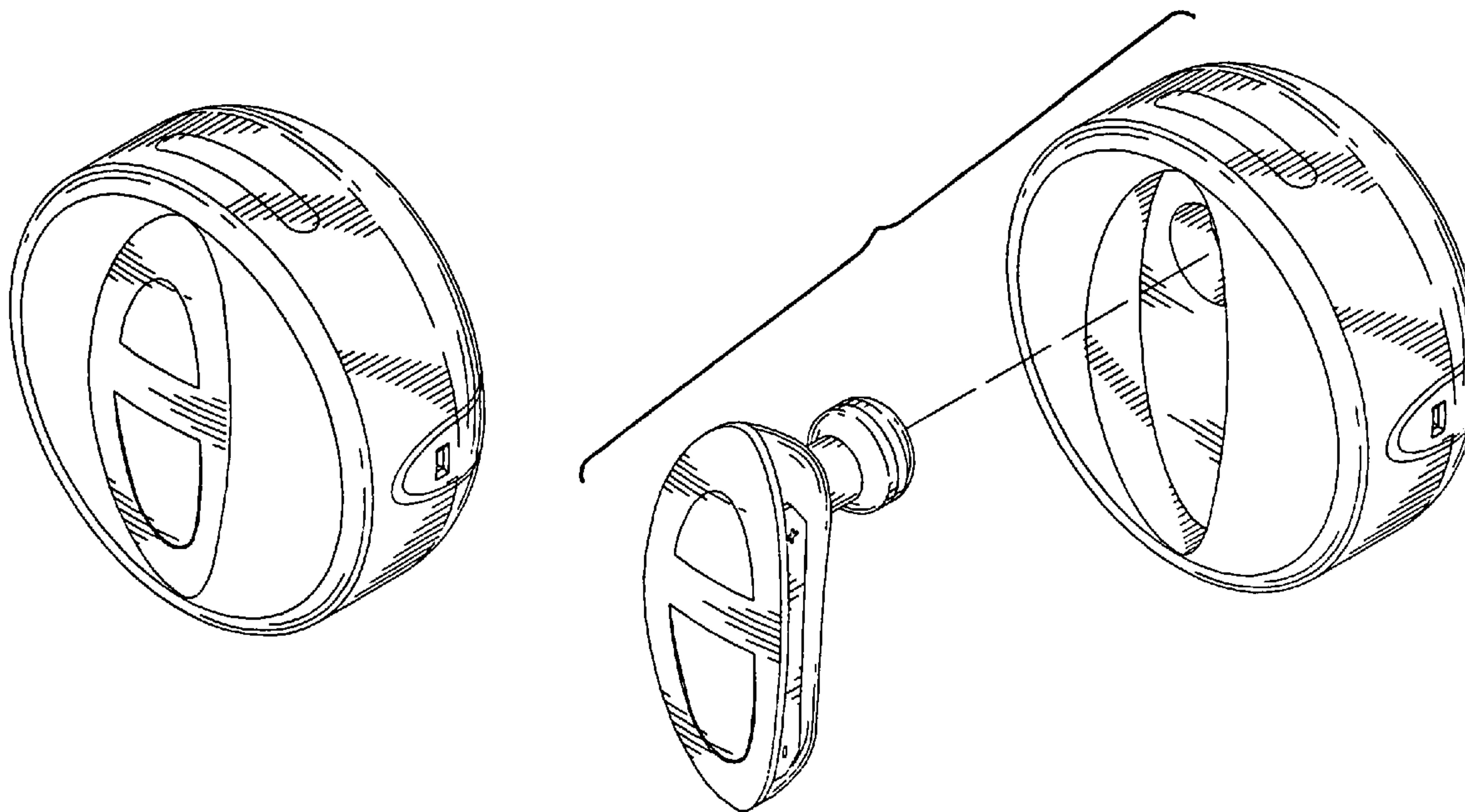
FIG. 9 is an exploded view thereof.

(56) **References Cited**

U.S. PATENT DOCUMENTS

D368,713 S *	4/1996	Tomlinson et al.	D14/150
6,043,626 A *	3/2000	Snyder et al.	320/113
6,229,893 B1 *	5/2001	Chen	379/454
D479,834 S *	9/2003	Salazar et al.	D14/205
D494,568 S *	8/2004	Pan	D14/223

1 Claim, 5 Drawing Sheets



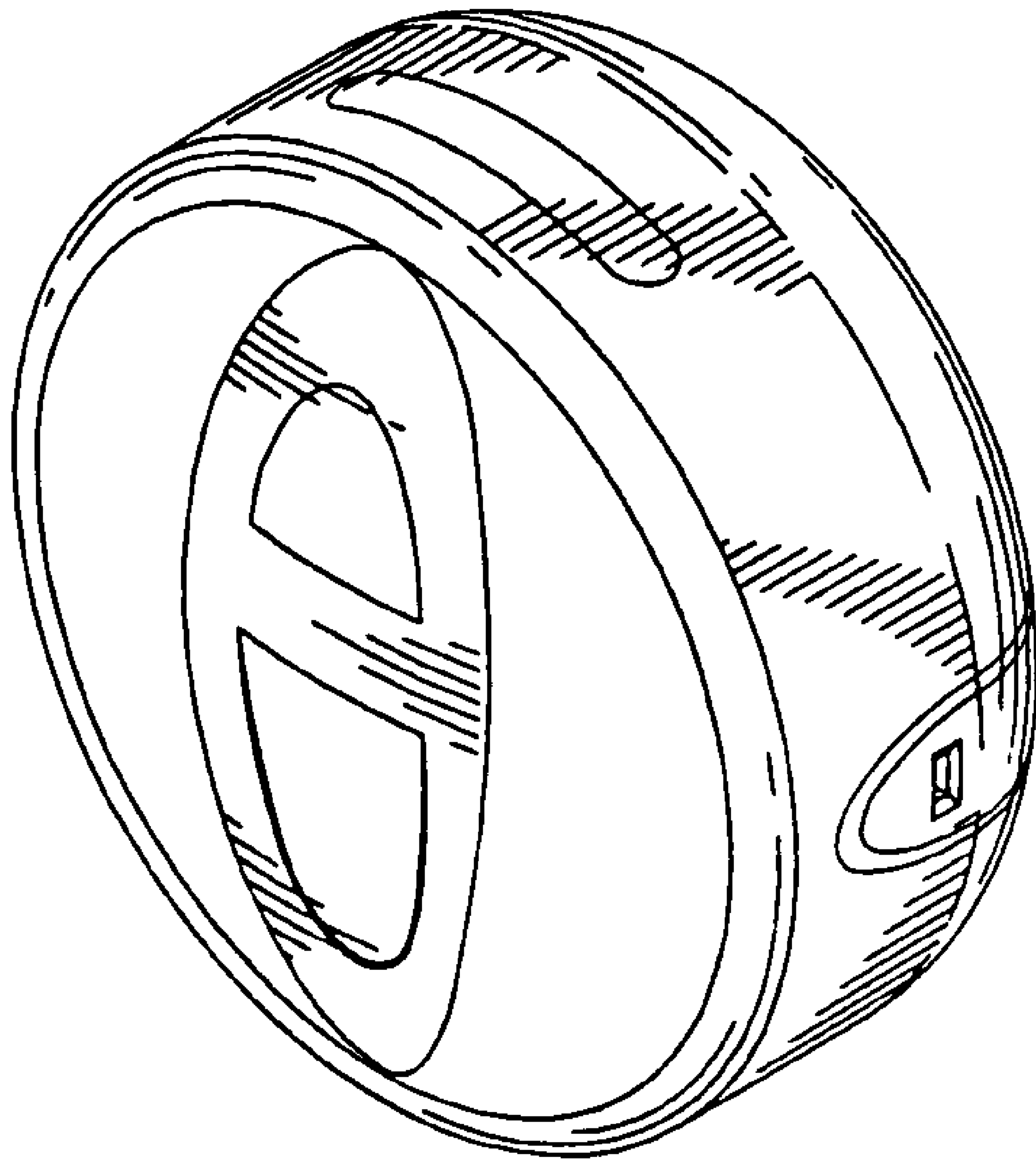


FIG 1

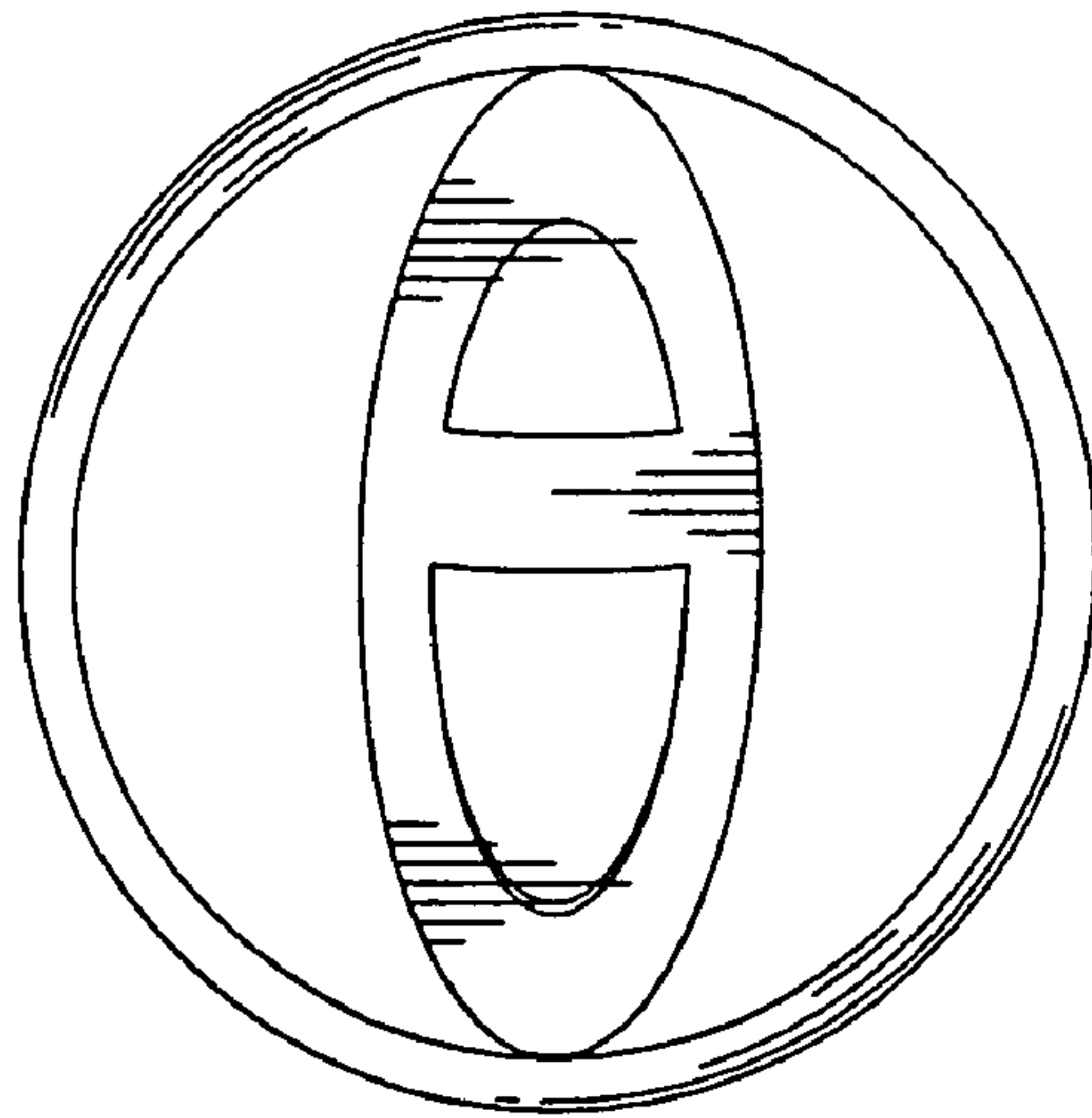


FIG 2

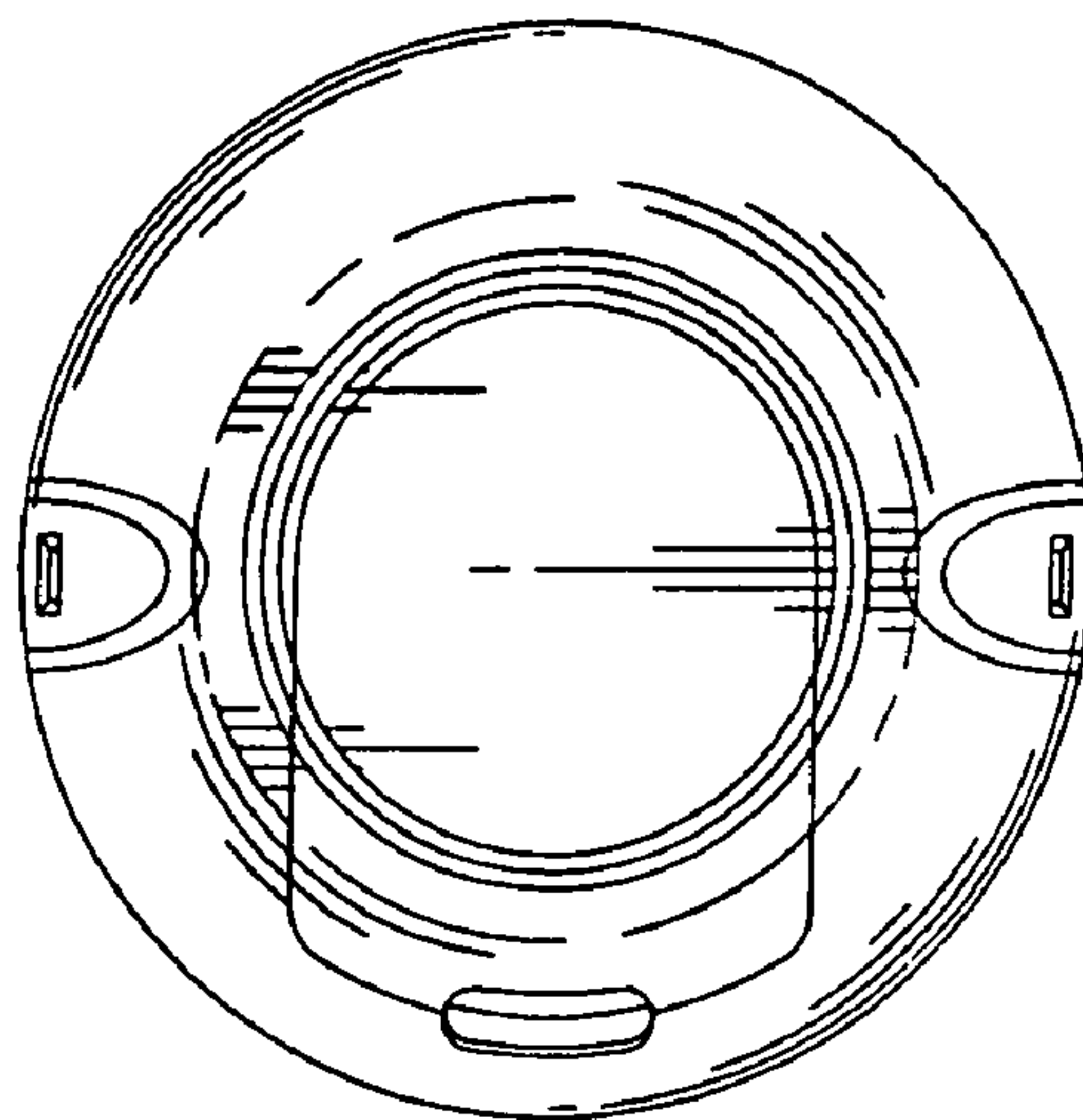


FIG 3

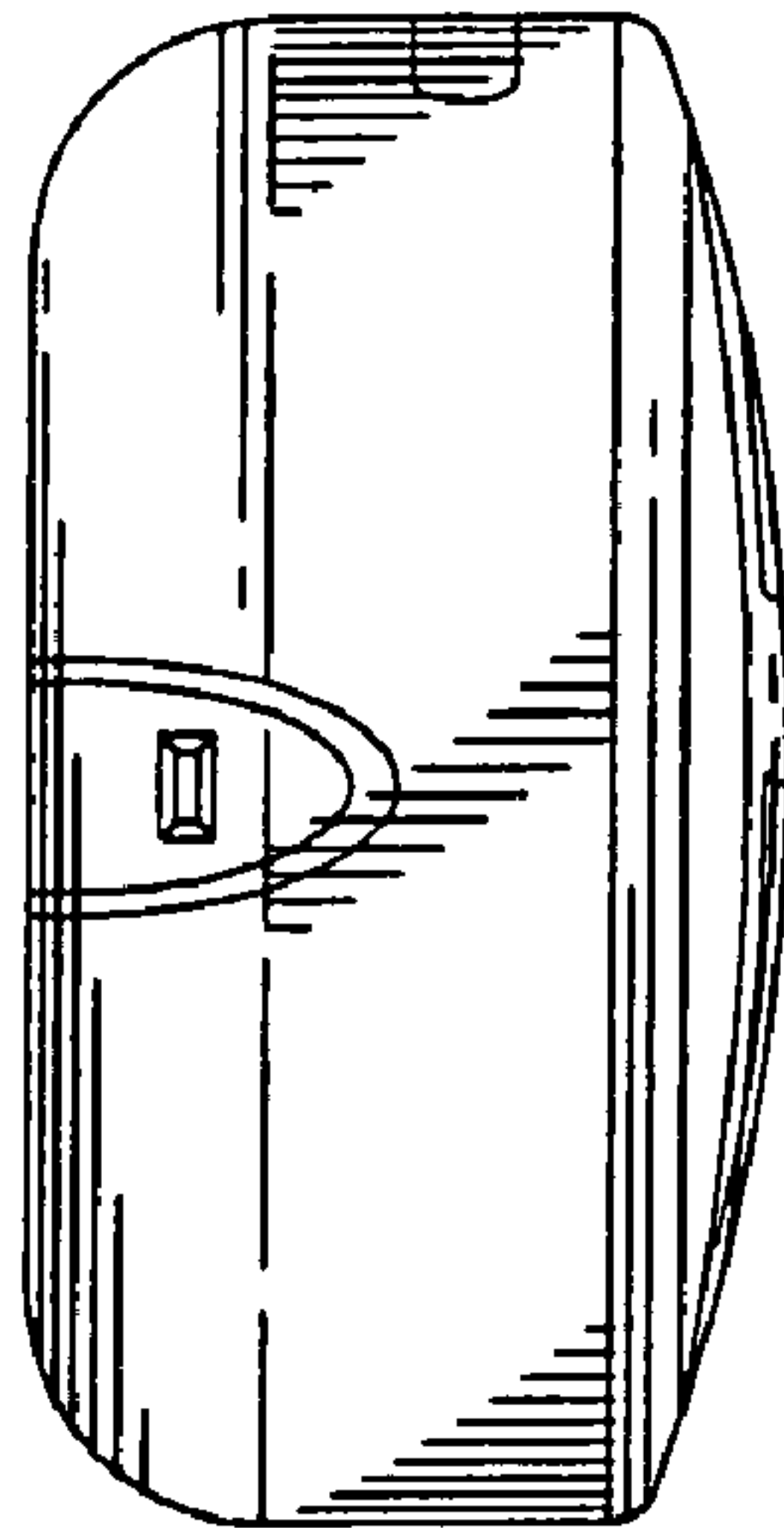


FIG 4

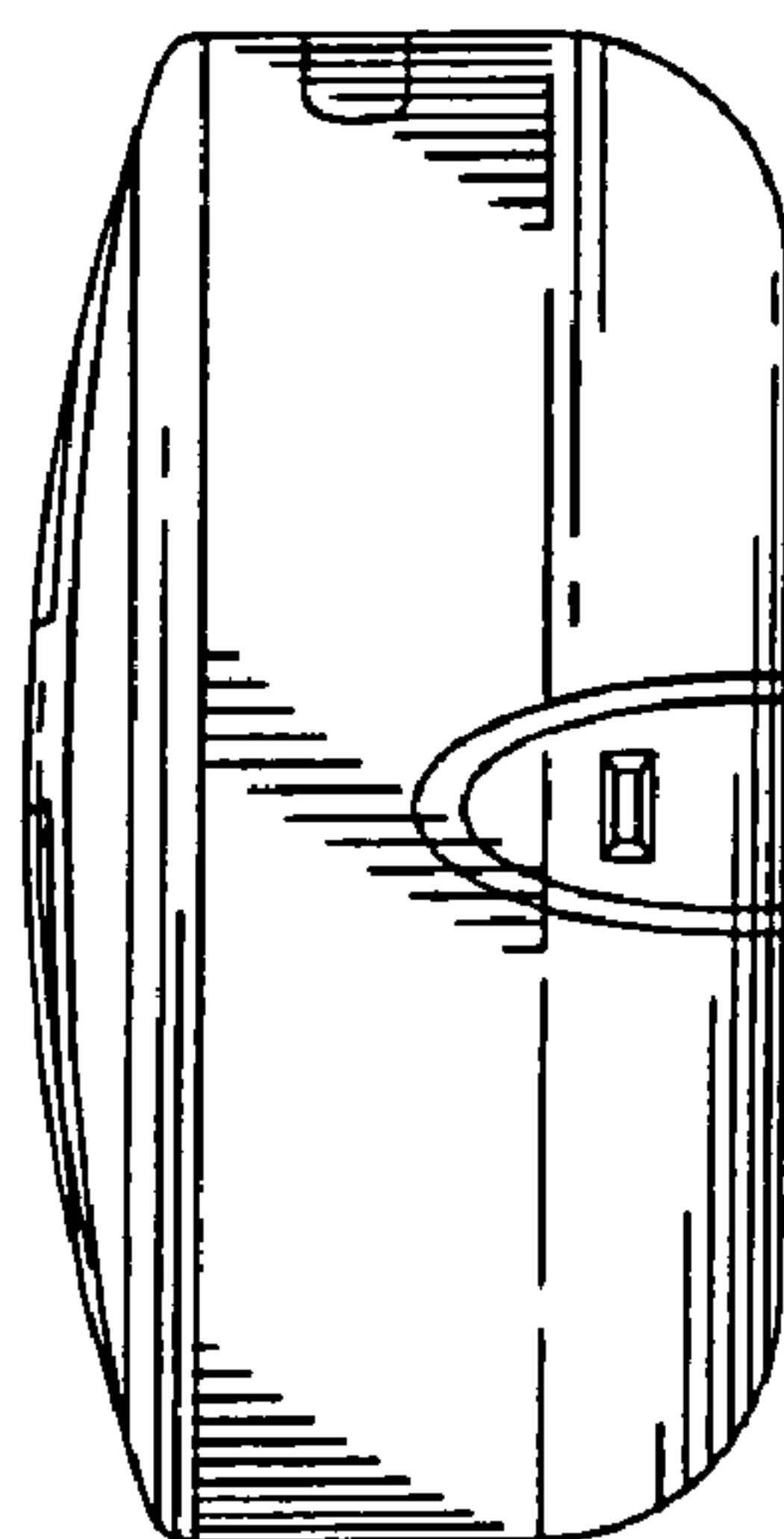


FIG 5

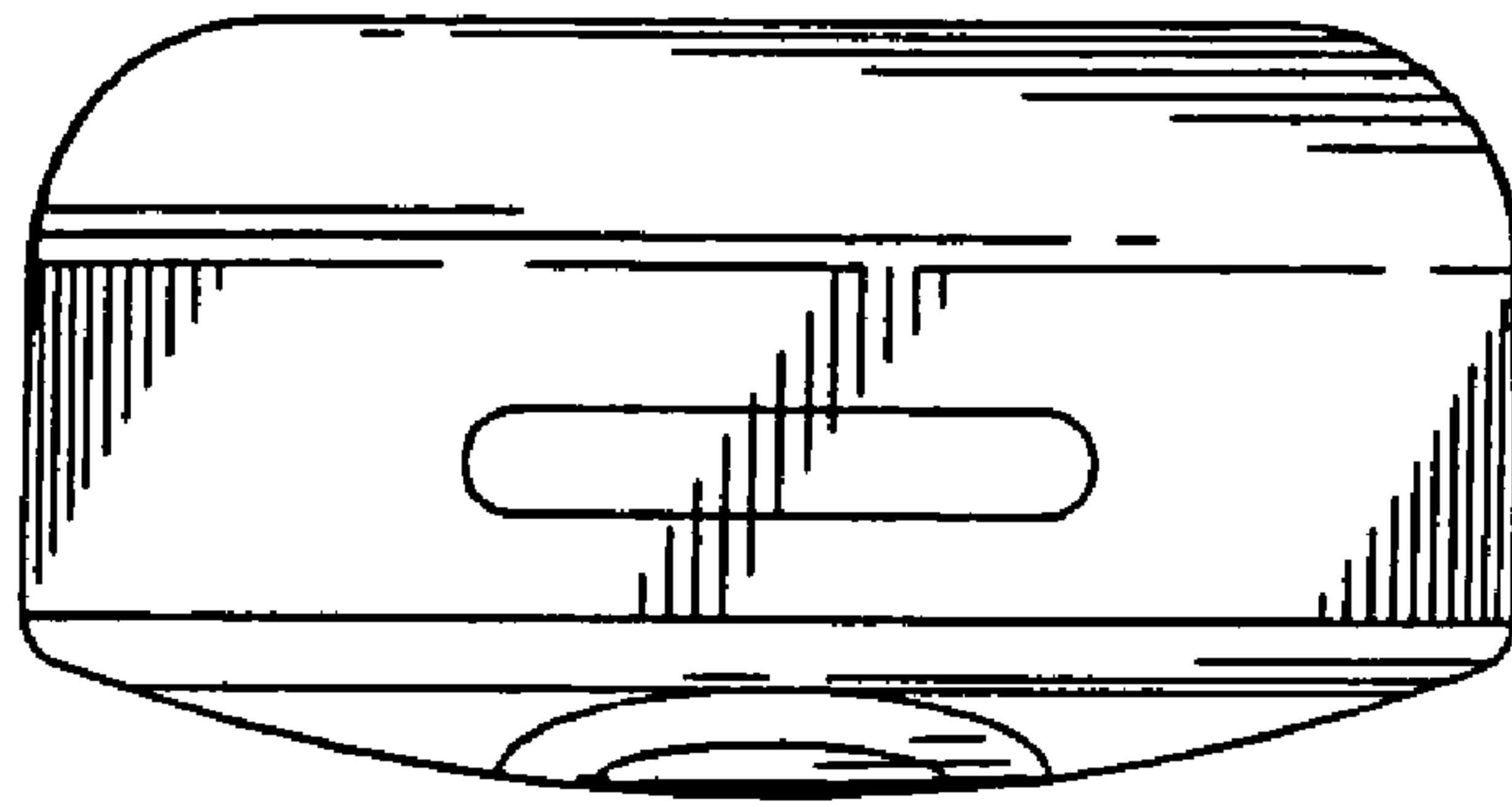


FIG 6

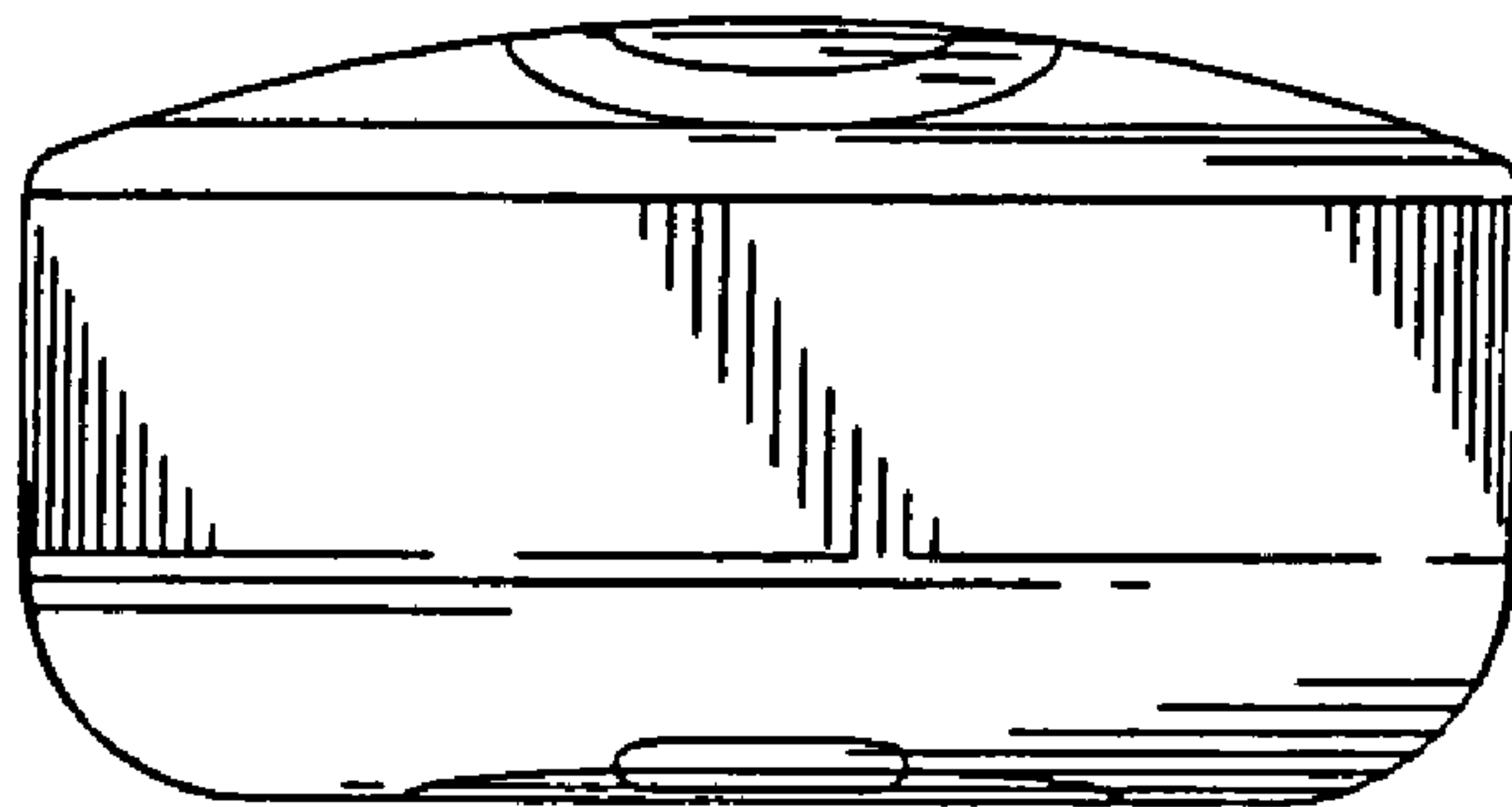


FIG 7



FIG 8

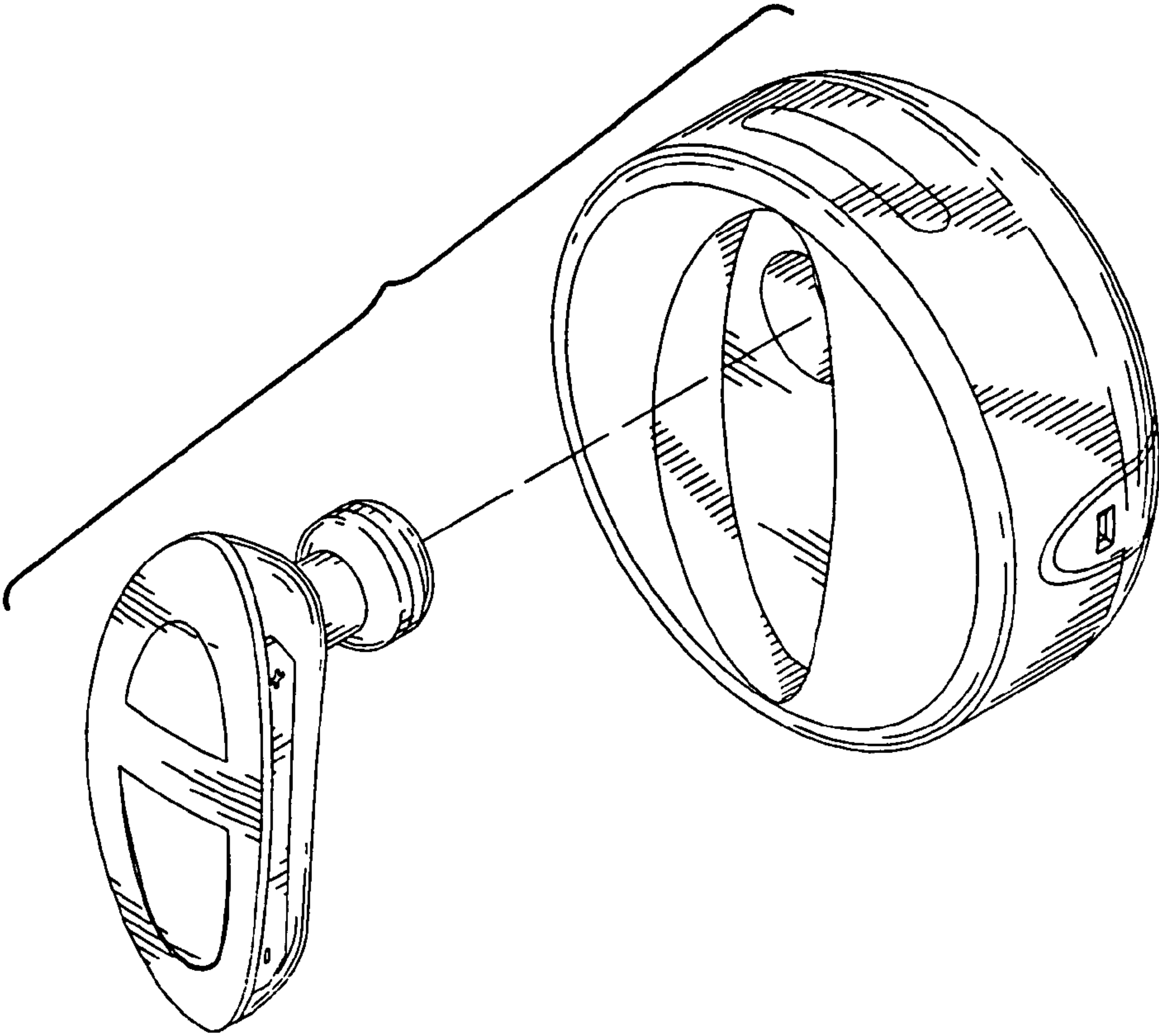


FIG 9