

US00D552085S

(12) **United States Design Patent**
Andre et al.

(10) **Patent No.:** **US D552,085 S**
(45) **Date of Patent:** **** Oct. 2, 2007**

(54) **DOCK INSERT**

(75) Inventors: **Bartley K. Andre**, Menlo Park, CA (US); **Daniel J. Coster**, San Francisco, CA (US); **Daniele De Iuliis**, San Francisco, CA (US); **Richard P. Howarth**, San Francisco, CA (US); **Jonathan P. Ive**, San Francisco, CA (US); **Duncan Robert Kerr**, San Francisco, CA (US); **Shin Nishibori**, San Francisco, CA (US); **Matthew Dean Rohrbach**, San Francisco, CA (US); **Douglas B. Satzger**, Menlo Park, CA (US); **Calvin Q. Seid**, Palo Alto, CA (US); **Christopher J. Stringer**, Portola Valley, CA (US); **Eugene Antony Whang**, San Francisco, CA (US); **Rico Zorkendorfer**, San Francisco, CA (US)

(73) Assignee: **Apple Inc.**, Cupertino, CA (US)

(**) Term: **14 Years**

(21) Appl. No.: **29/237,097**

(22) Filed: **Aug. 24, 2005**

(51) **LOC (8) Cl.** **14-03**

(52) **U.S. Cl.** **D14/217**

(58) **Field of Classification Search** D14/142, D14/149, 217, 251, 432, 434, 435, 447, 496; D13/107, 108, 118; 248/221.11, 309.1; D20/107, D20/110, 113-115; 361/600, 679, 683, 686; 439/529, 534; 455/556.1, 556.2, 557
See application file for complete search history.

5,600,225 A	2/1997	Goto	
5,627,727 A	5/1997	Aguilera et al.	
D388,764 S	1/1998	Bartling et al.	
5,742,149 A *	4/1998	Simpson	320/113
D409,987 S	5/1999	Okumura	
D411,166 S	6/1999	Uemura et al.	
5,926,005 A *	7/1999	Holcomb et al.	320/113
D416,536 S	11/1999	Ross et al.	
D419,160 S	1/2000	Davidson et al.	
6,042,414 A	3/2000	Kunert	
D422,556 S	4/2000	Okura et al.	
D439,908 S	4/2001	Gozani	
D440,542 S	4/2001	Hawkins et al.	
D444,121 S	6/2001	Chun et al.	
D444,124 S	6/2001	Casey et al.	
6,307,348 B1	10/2001	Green	
D450,707 S	11/2001	Francavilla et al.	
D454,332 S	3/2002	Yokoyama	
D459,299 S	6/2002	Hughes et al.	
D461,476 S	8/2002	Evers et al.	
D463,361 S	9/2002	Ruohonen	
D466,122 S	11/2002	Moody	
D468,305 S	1/2003	Ma et al.	
6,524,240 B1	2/2003	Thede	
D472,900 S	4/2003	Matsumoto	
D477,823 S	7/2003	Lavello	
6,711,005 B2	3/2004	Martin	
D488,440 S *	4/2004	Senda	D13/108
D495,336 S	8/2004	Andre et al.	
6,798,647 B2	9/2004	Dickie	
6,813,528 B1	11/2004	Yang	
6,898,080 B2	5/2005	Yin et al.	
D508,459 S *	8/2005	Yoshida	D13/108
D525,616 S	7/2006	Andre et al.	
7,075,579 B2 *	7/2006	Whitby et al.	348/375
7,145,603 B2 *	12/2006	Whitby et al.	348/375
2002/0103008 A1	8/2002	Rahn et al.	
2003/0198015 A1	10/2003	Vogt	
2006/0250764 A1	11/2006	Howarth et al.	

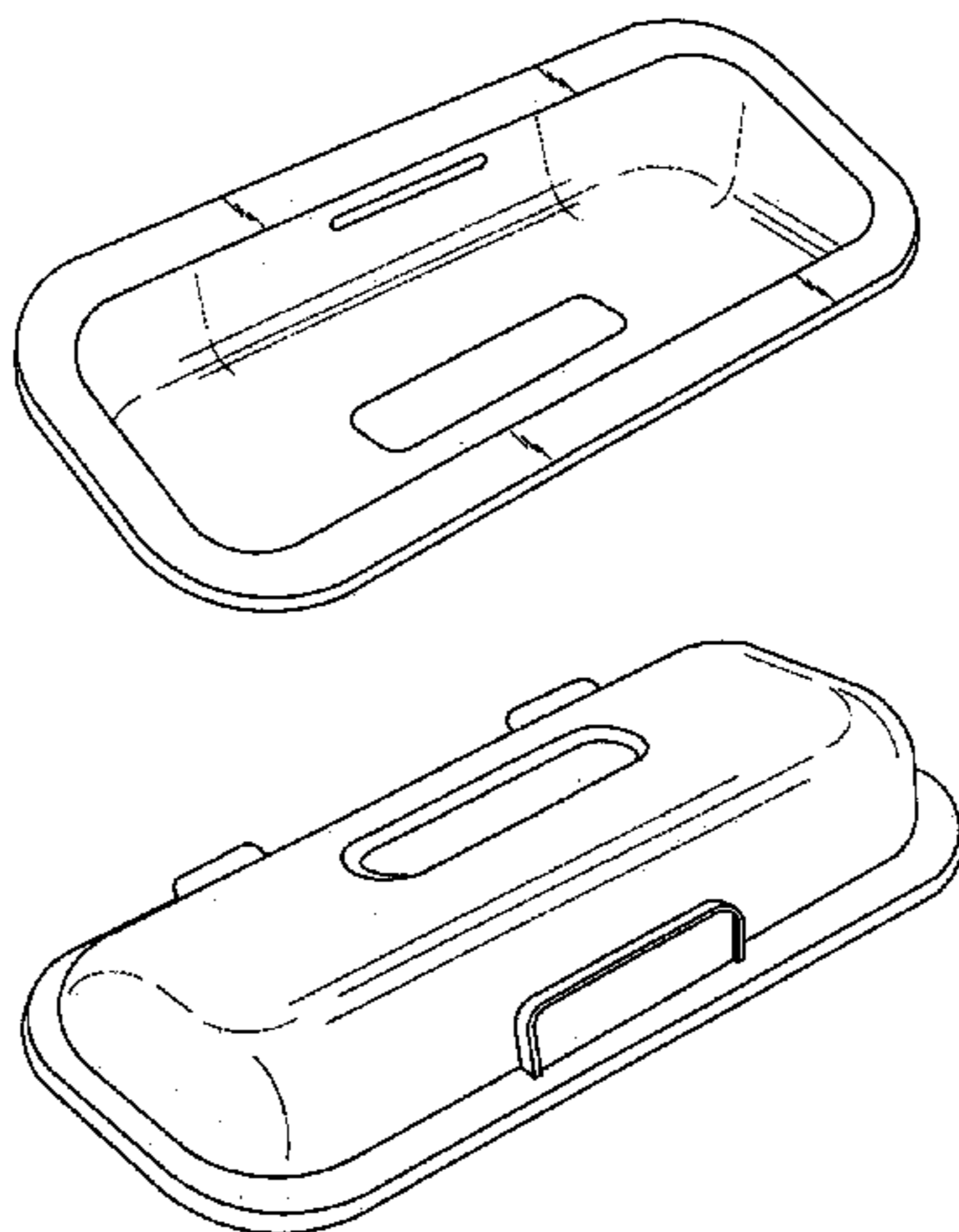
(56) **References Cited**

U.S. PATENT DOCUMENTS

D328,277 S	7/1992	Leman et al.	
D336,631 S	6/1993	Ivester	
5,280,229 A *	1/1994	Faude et al.	320/110
D350,330 S	9/1994	Peterson	
D374,858 S	10/1996	Chu	

OTHER PUBLICATIONS

U.S. Appl. No. 29/237,111 entitled "Dock Insert" filed Aug. 24, 2005.
U.S. Appl. No. 29/237,112 entitled "Dock Insert" filed Aug. 24, 2005.
U.S. Appl. No. 29/237,233 entitled "Docking Station" filed Aug. 24, 2005.



U.S. Appl. No. 29/237,084 entitled “Docking Station” filed Aug. 24, 2005.

U.S. Appl. No. 11/212,302 entitled “Docking Station for Hand Held Electronic Devices”, filed Aug. 24, 2005.

“iPod Dock Cradle”, downloaded Apr. 11, 2003, www.bookendzdocks.com/bookendz/dock_cradel.htm.

“BookEndz Home Page”, downloaded Apr. 11, 2003, www.bookendzdocks.com/bookendz/index.htm.

“Atech Flash Technology Iduo Ipod Dock and card Reader”, www.the-gadgeteer.com, downloaded Nov. 21, 2005.

“Adaptec xHub for Notebooks”, http://www.everythingusb.com/hardware/index/Adaptec_xHub_for_Notebooks.htm, downloaded Nov. 22, 2005.

“Belkin’s Top loading USB Hub for iPod shuffle”, http://www.everythingusb.com/belkin_hispeed_usb_2.0_4-port_hub.html, downloaded Nov. 22, 2005.

“Belkin Hi-Speed USB 2.07_Port Hub”, http://www.everythingusb.com/hardware/index/Belkin_Hi-Speed_USB_2.0_7-Port_Hub..., downloaded Nov. 22, 2005.

Office Action, dated Nov. 1, 2006, Taiwan Design Application No. 95300373.

Office Action, dated Nov. 1, 2006, Taiwan Design Application No. 95300368.

Written Primary Examination Decision of Rejection, dated Jan. 12, 2007, Taiwan Design Application No. 95300373.

Written Primary Examination Decision of Rejection, dated Jan. 12, 2007, Taiwan Design Application No. 95300368.

* cited by examiner

Primary Examiner—Stella Reid

Assistant Examiner—Keli' L. Acker

(74) *Attorney, Agent, or Firm*—Beyer Weaver, LLP

(57) **CLAIM**

We claim the ornamental design for a dock insert, substantially as shown and described.

DESCRIPTION

This application is related to (i) U.S. Design patent application Ser. No. 29/237,111, filed concurrently and entitled “Dock Insert”, which is hereby incorporated herein by reference, and (ii) U.S. Design patent application Ser. No. 29/237,112, filed concurrently and entitled “Dock Insert”, which is hereby incorporated herein by reference.

Various examples of docking station embodiments are shown and described, for example in U.S. Design patent application Ser. No. 29/237,233, filed concurrently and entitled “Docking Station”; and U.S. Design patent application Ser. No. 29/237,084, filed concurrently and entitled “Docking Station”, both of which are hereby incorporated herein by reference.

All of the material from the two U.S. Design patent applications that is essential to the claimed design is included herein. Any material in the two U.S. Design applications that is not present herein forms no part of the claimed design.

FIG. 1 is a top perspective view of a dock insert embodying our new design.

FIG. 2 is a bottom perspective view for the dock insert shown in FIG. 1.

FIG. 3 is a top view for the dock insert shown in FIG. 1.

FIG. 4 is a bottom view for the dock insert shown in FIG. 1.

FIG. 5 is a rear view for the dock insert shown in FIG. 1.

FIG. 6 is a front view for the dock insert shown in FIG. 1.

FIG. 7 is a left side view for the dock insert shown in FIG. 1.

FIG. 8 is a right side view for the dock insert shown in FIG. 1.

FIG. 9 is a top perspective view of a dock insert in accordance with another embodiment of the present design.

FIG. 10 is a bottom perspective view for the dock insert shown in FIG. 9.

FIG. 11 is a top view for the dock insert shown in FIG. 9.

FIG. 12 is a bottom view for the dock insert shown in FIG. 9.

FIG. 13 is a rear view for the dock insert shown in FIG. 9.

FIG. 14 is a front view for the dock insert shown in FIG. 9.

FIG. 15 is a left side view for the dock insert shown in FIG. 9.

FIG. 16 is a right side view for the dock insert shown in FIG. 9.

FIG. 17 is an exemplary perspective view of how a docking system can incorporate the dock insert of FIGS. 1 or 9 with a docking station.

FIG. 18 is an exemplary top view of a docking system that incorporates the dock insert of FIG. 1 with a docking station; and,

FIG. 19 is an exemplary top view of a docking system that incorporates the dock insert of FIG. 9 with a docking station.

The docking station of FIGS. 17–19, which are illustrated in broken lines, are provided to show environmental structure only and therefore form no part of the claimed design.

1 Claim, 6 Drawing Sheets

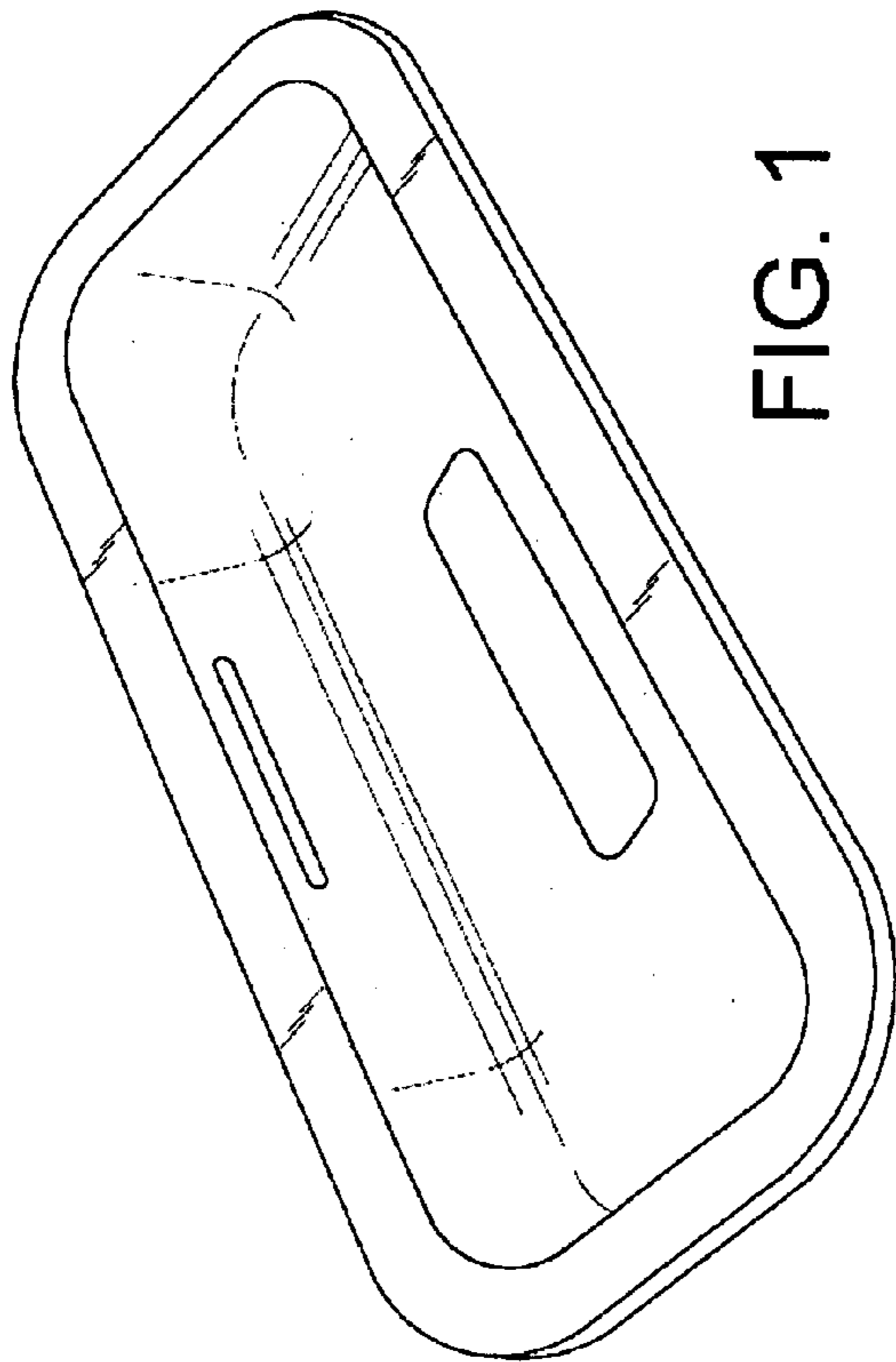


FIG. 1

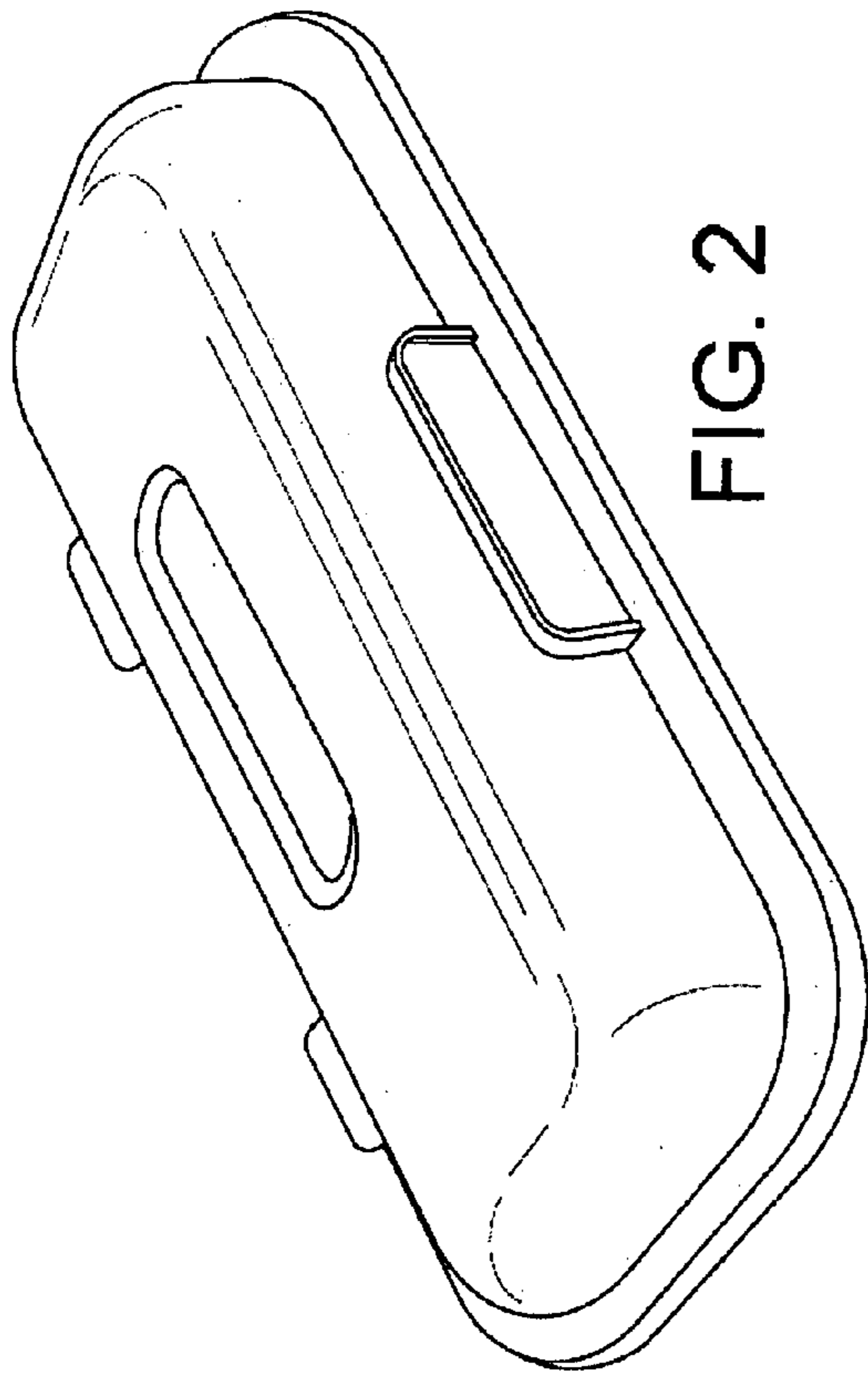


FIG. 2

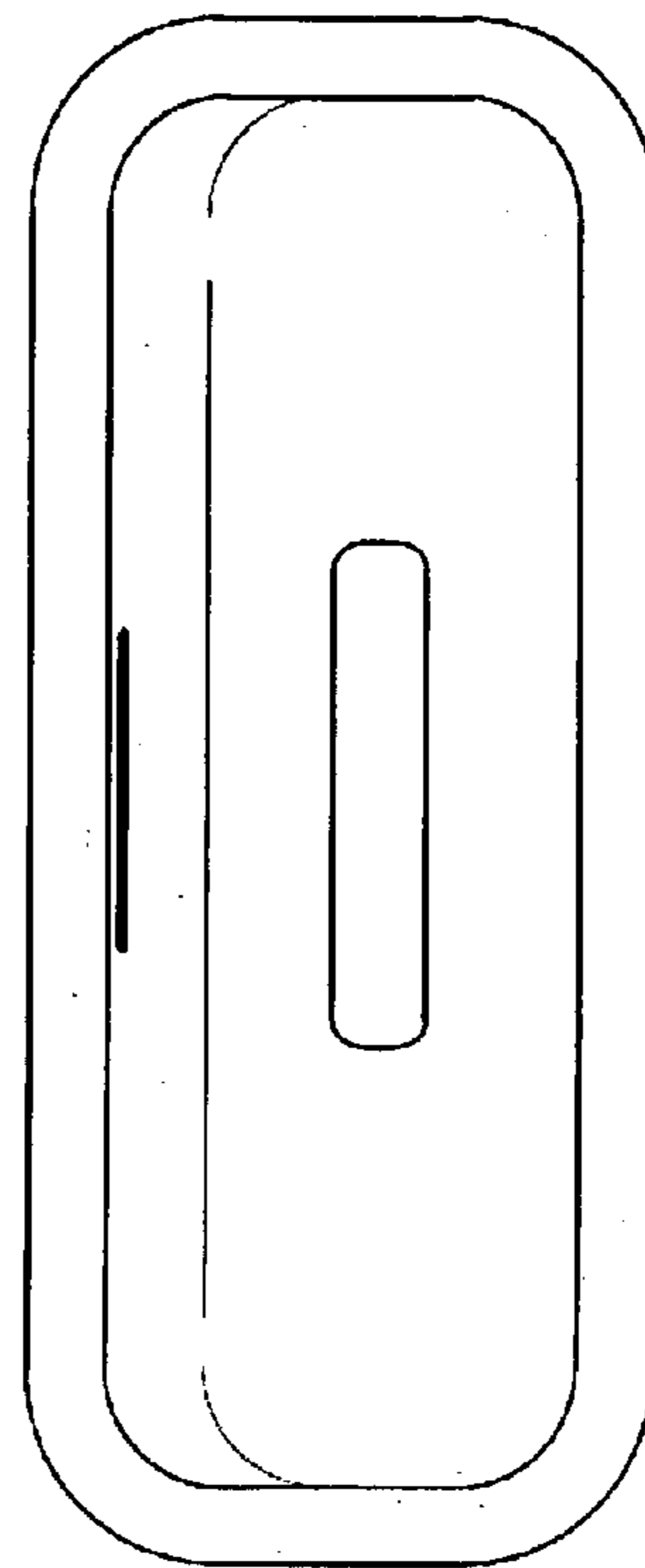


FIG. 3

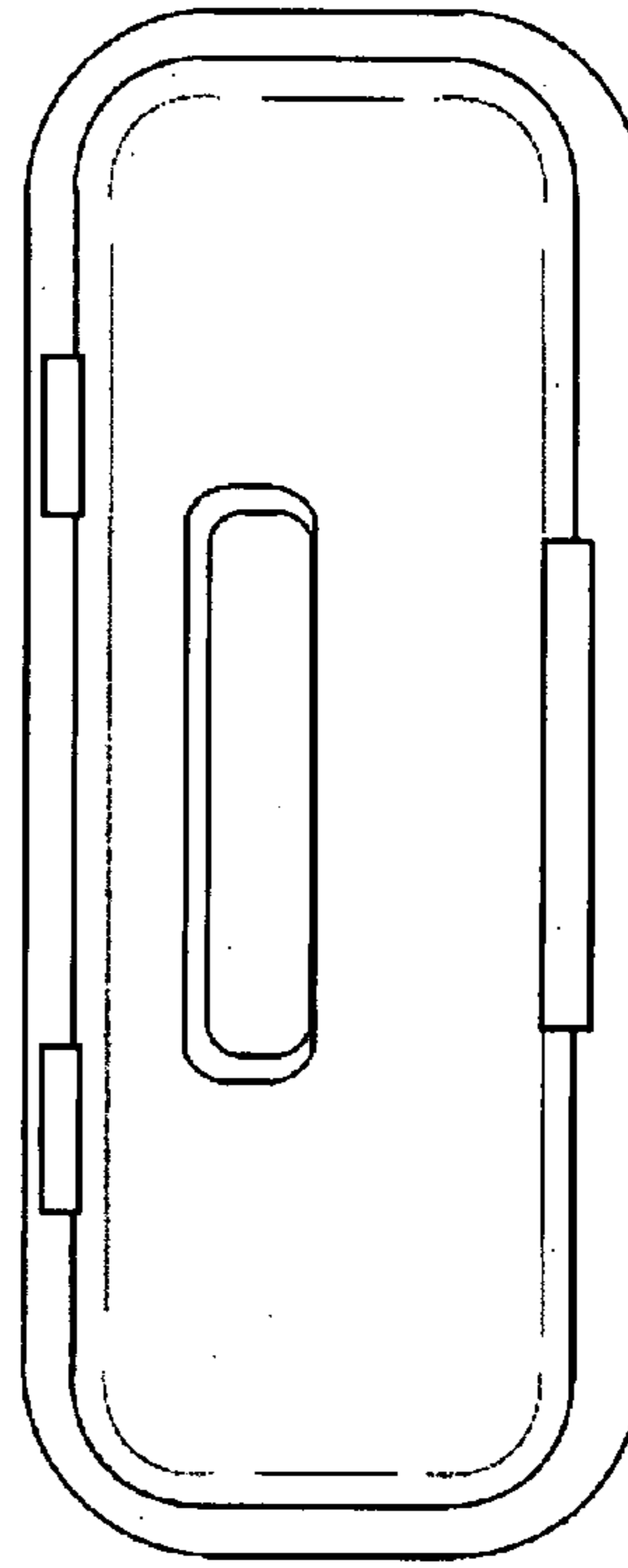


FIG. 4

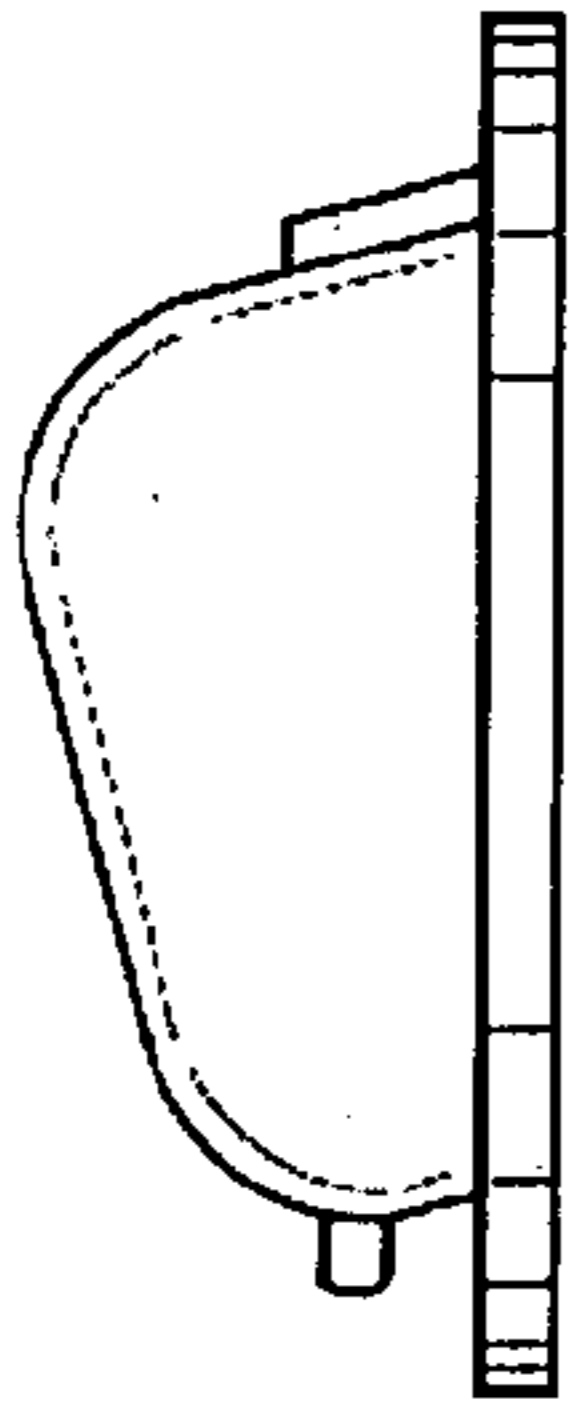


FIG. 7

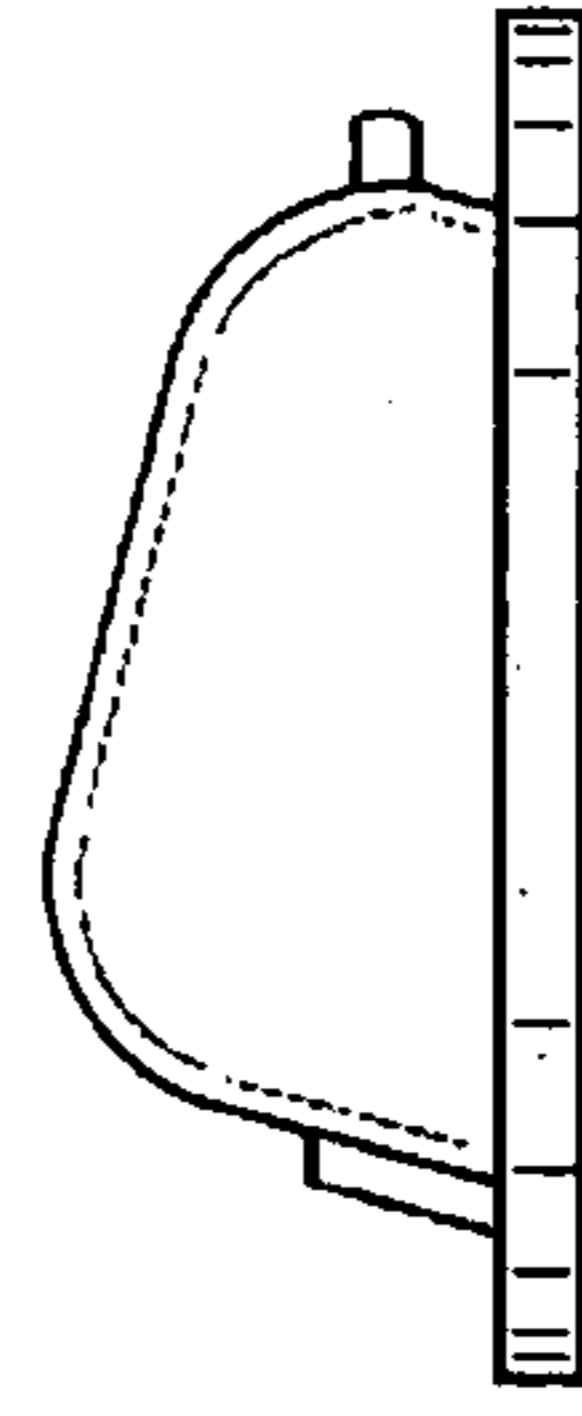


FIG. 8

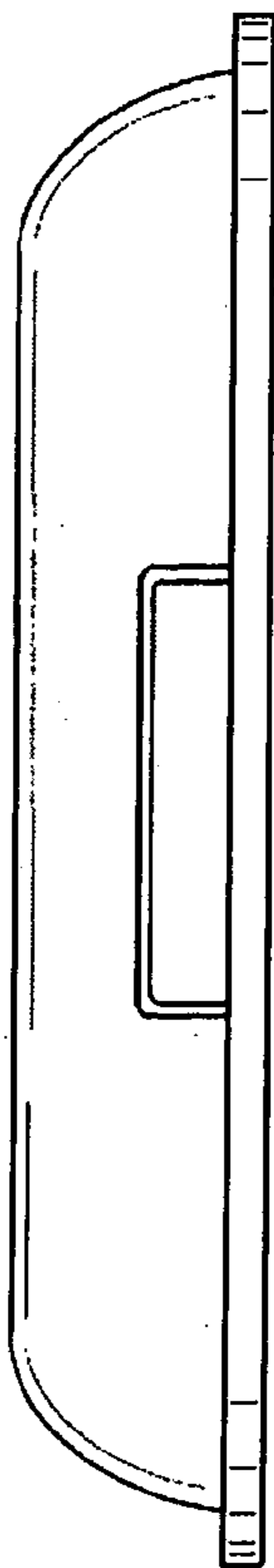


FIG. 5

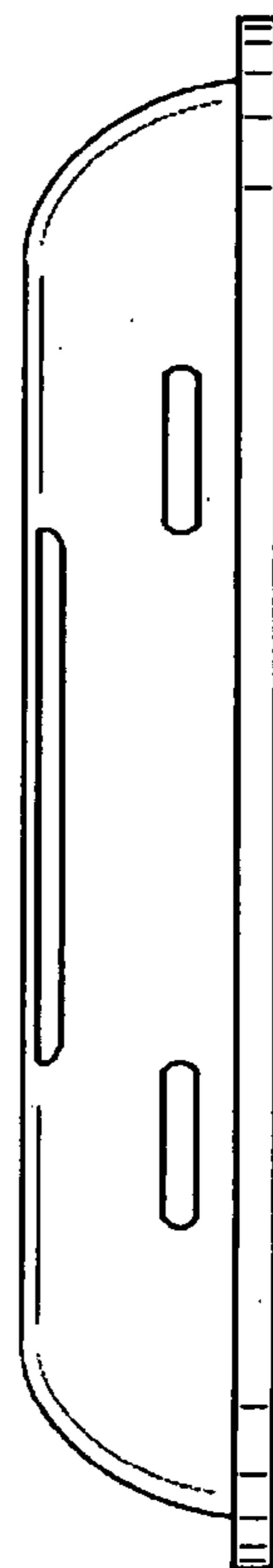


FIG. 6

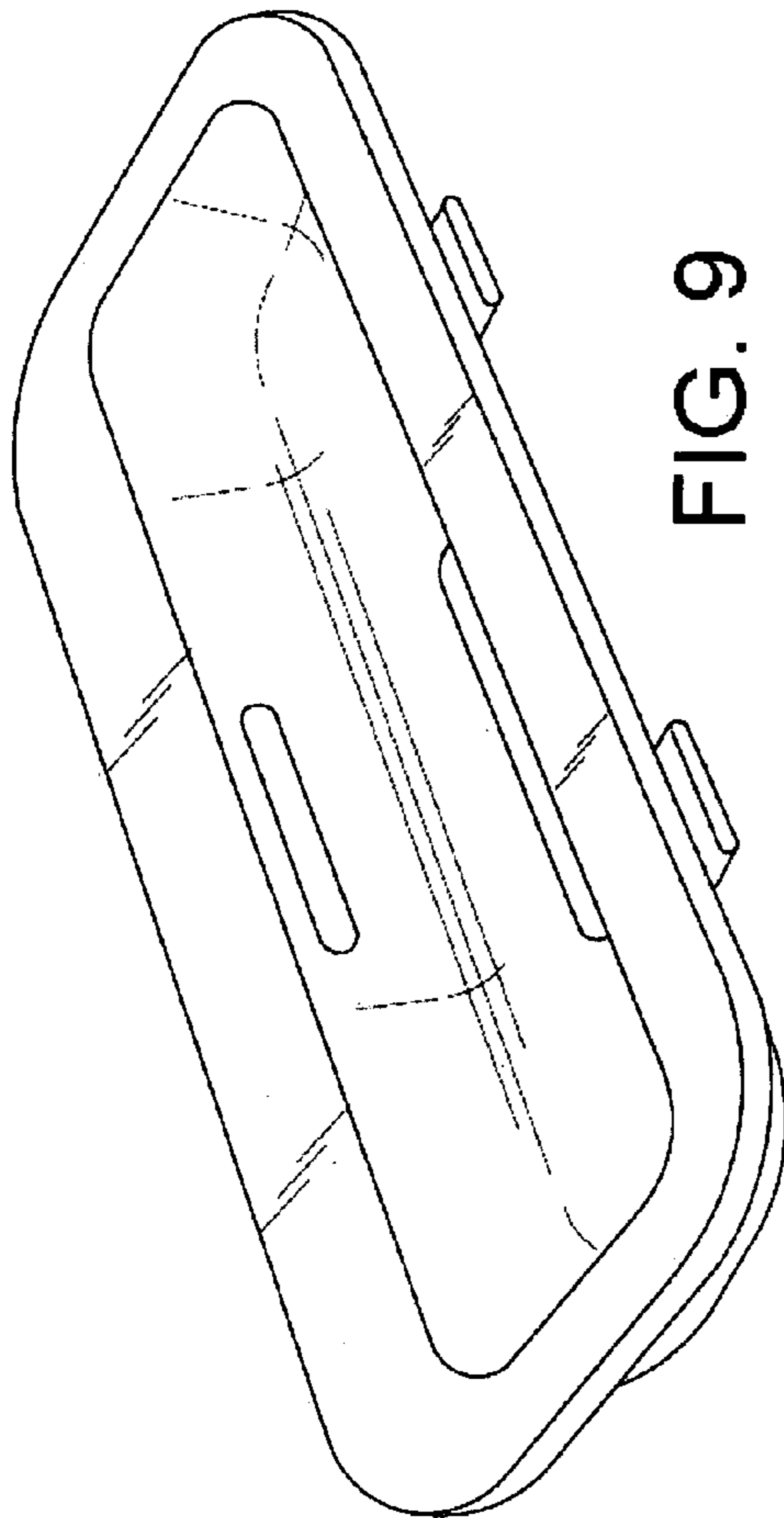


FIG. 9

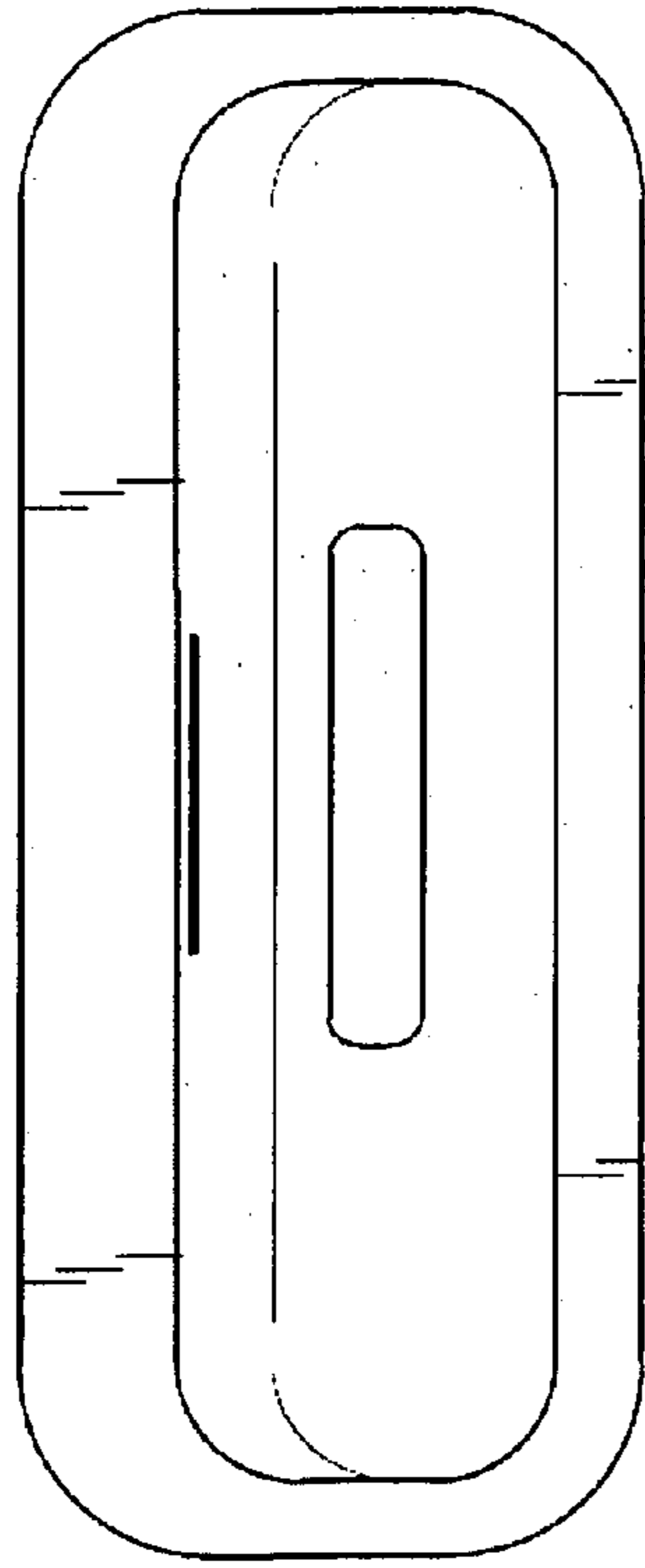


FIG. 11

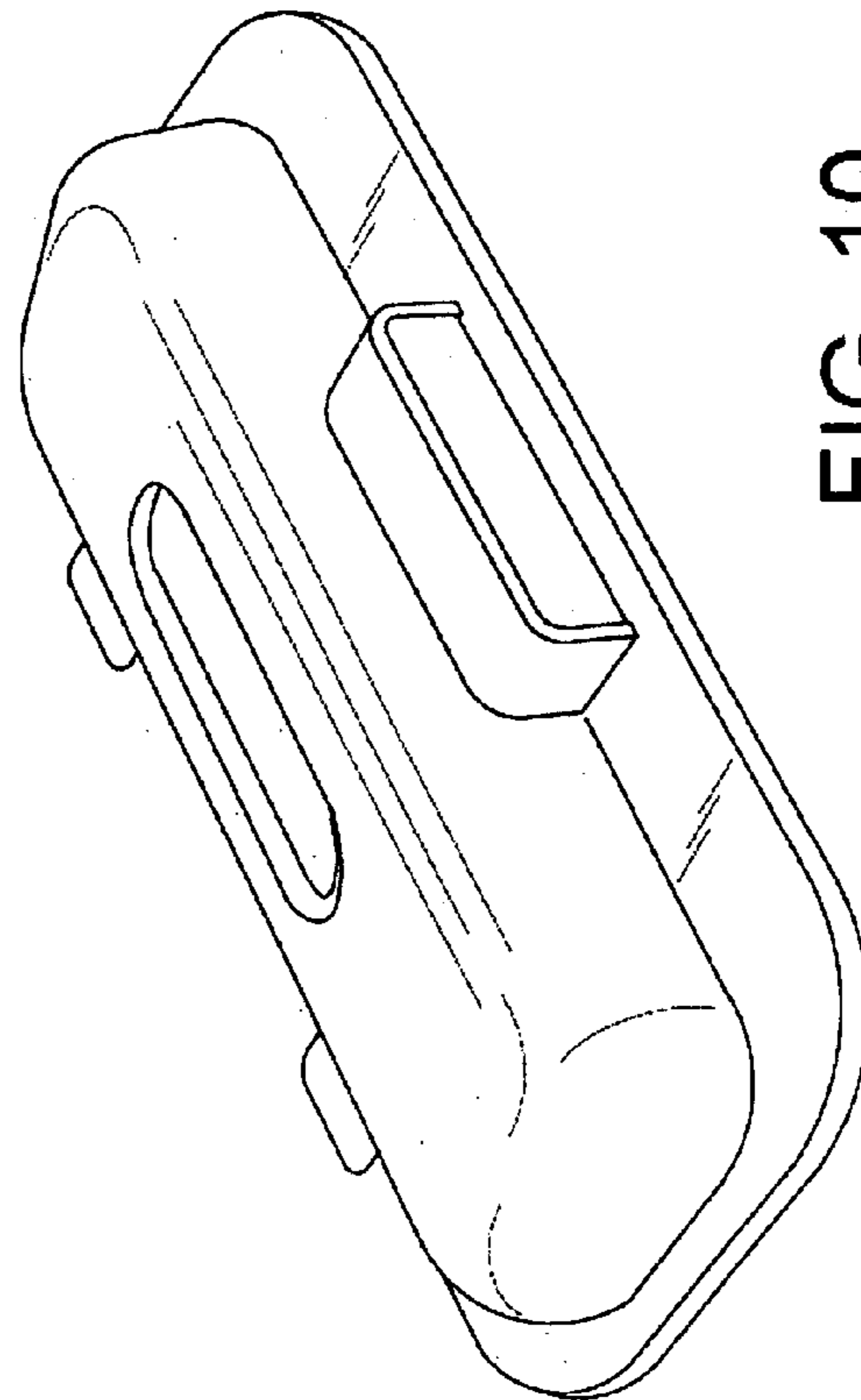


FIG. 10

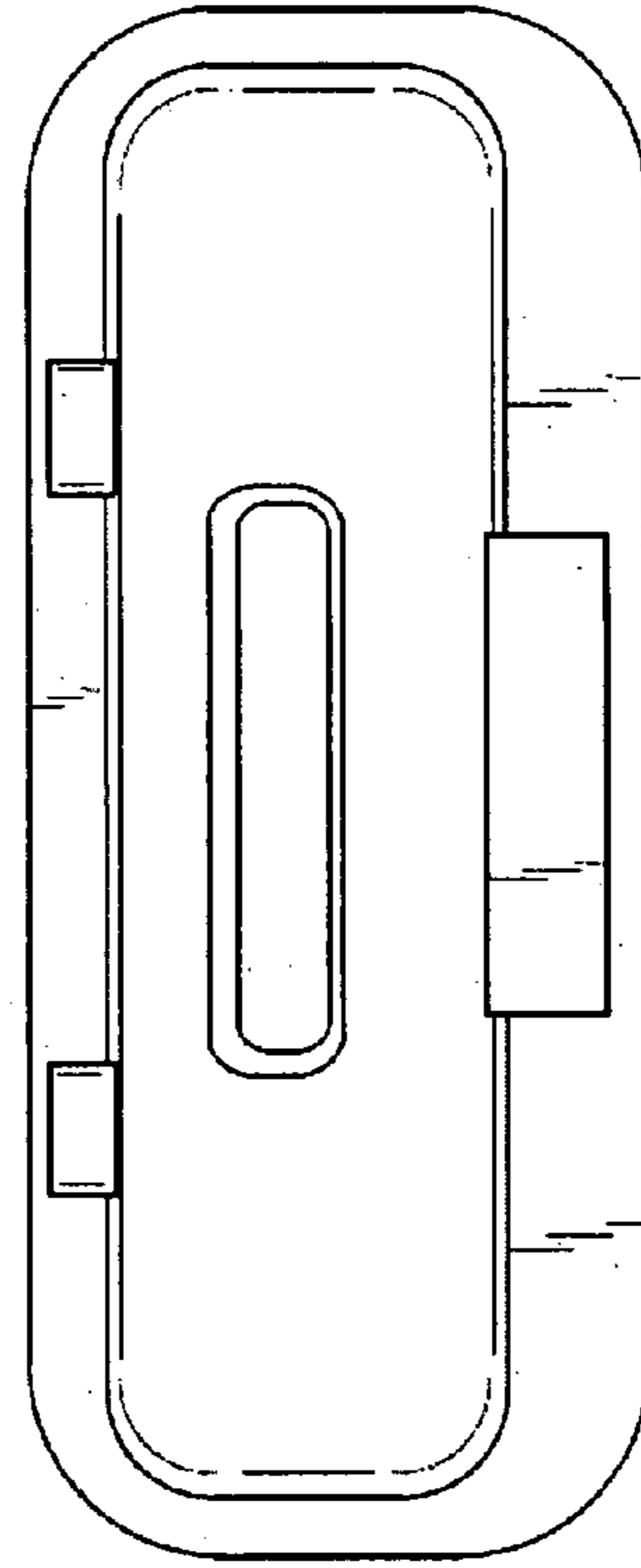


FIG. 12

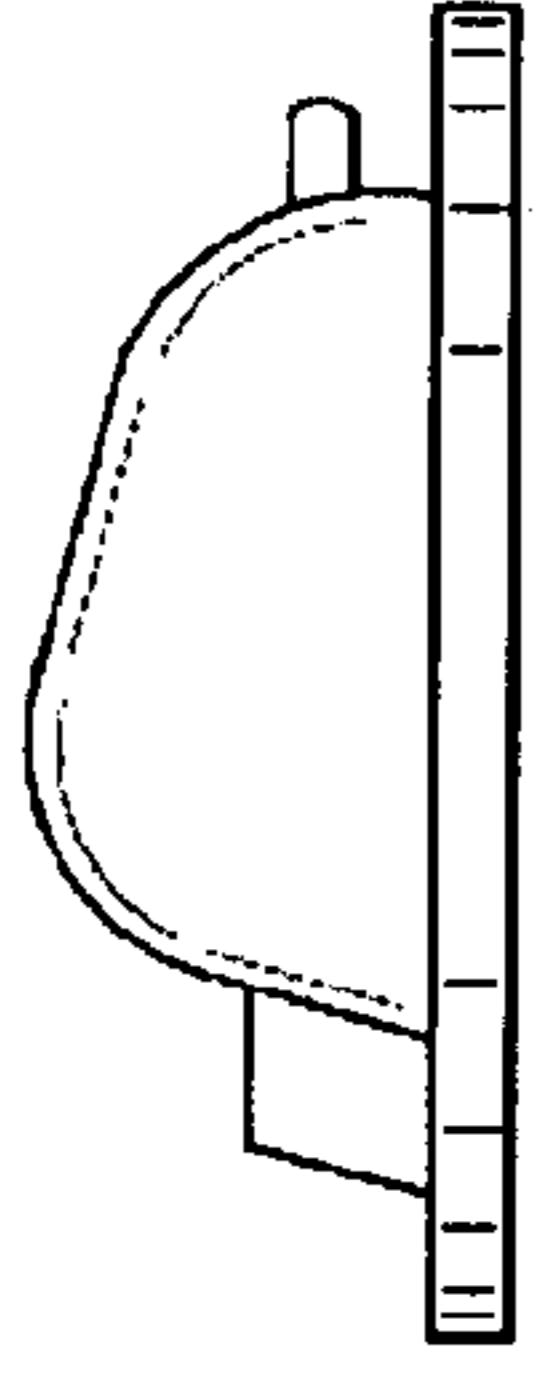


FIG. 15

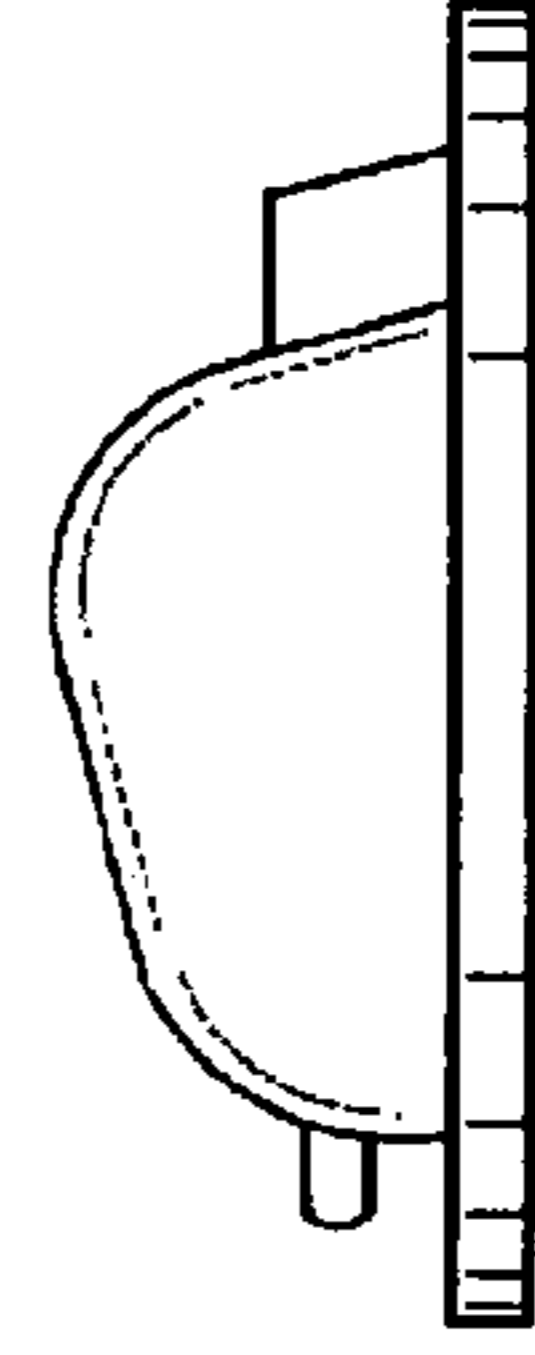


FIG. 16

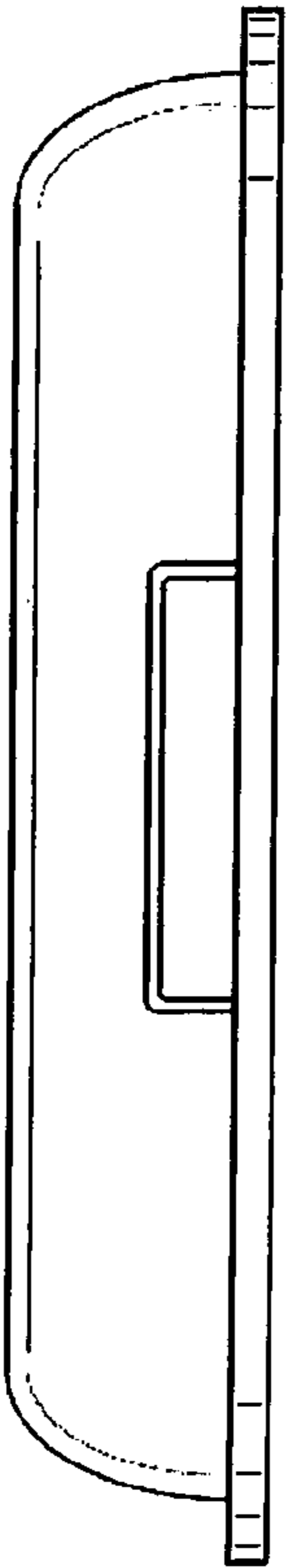


FIG. 13

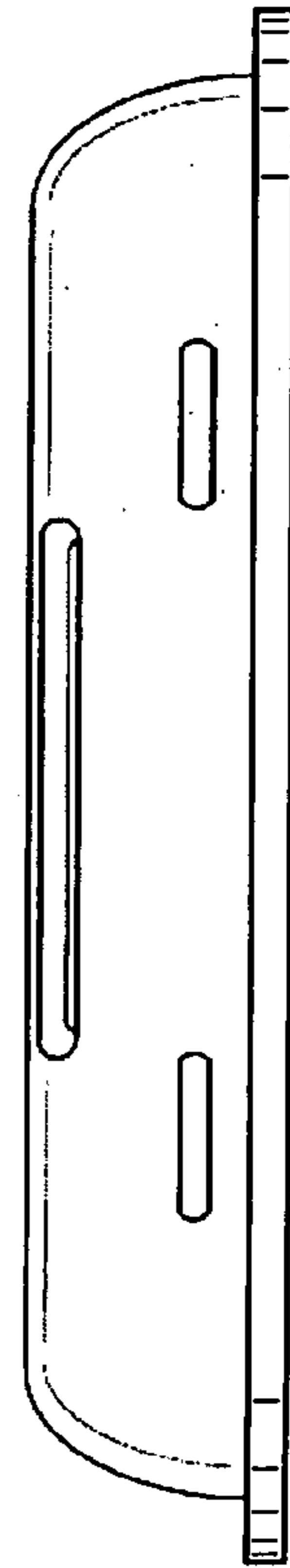


FIG. 14

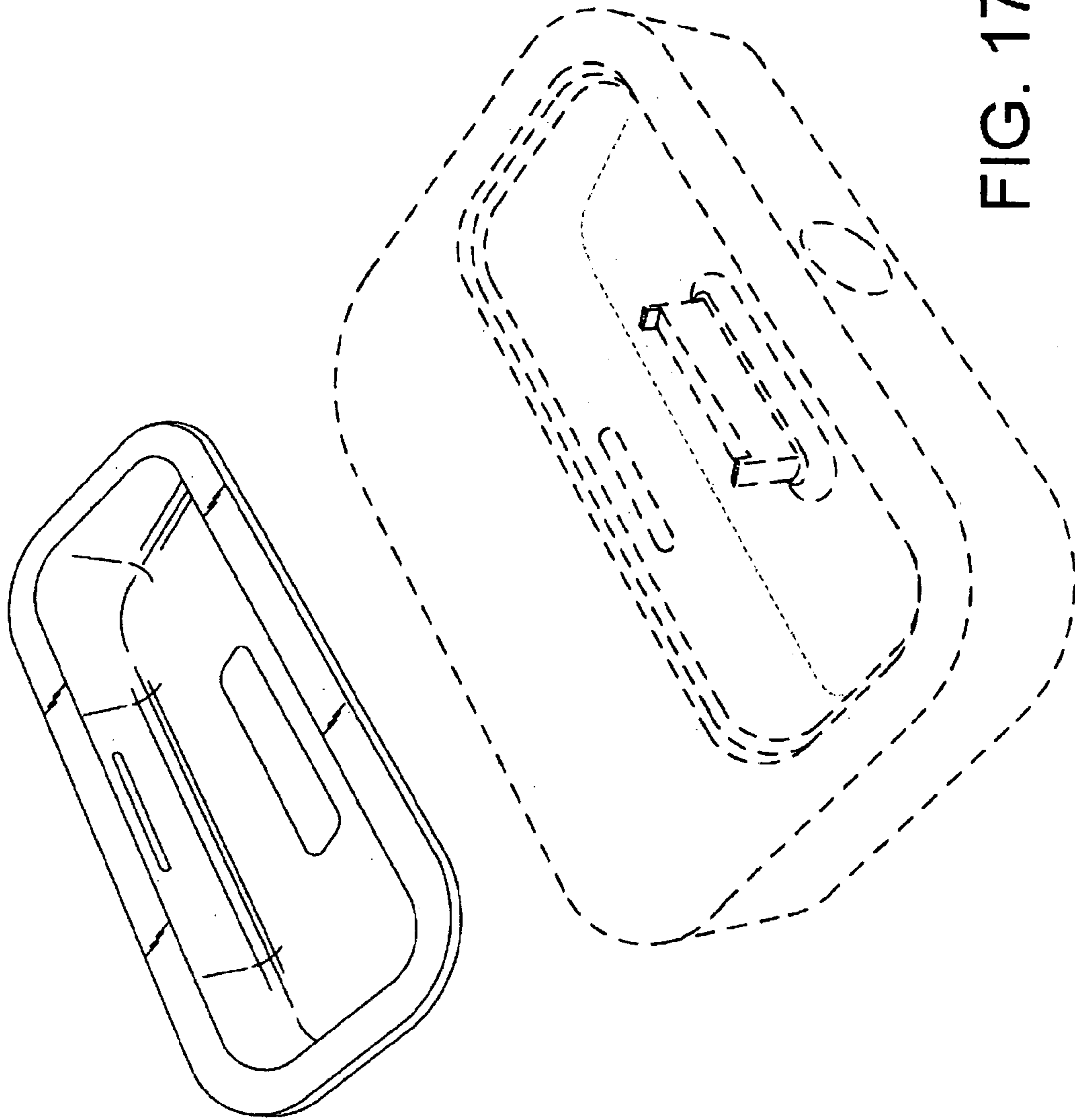


FIG. 17

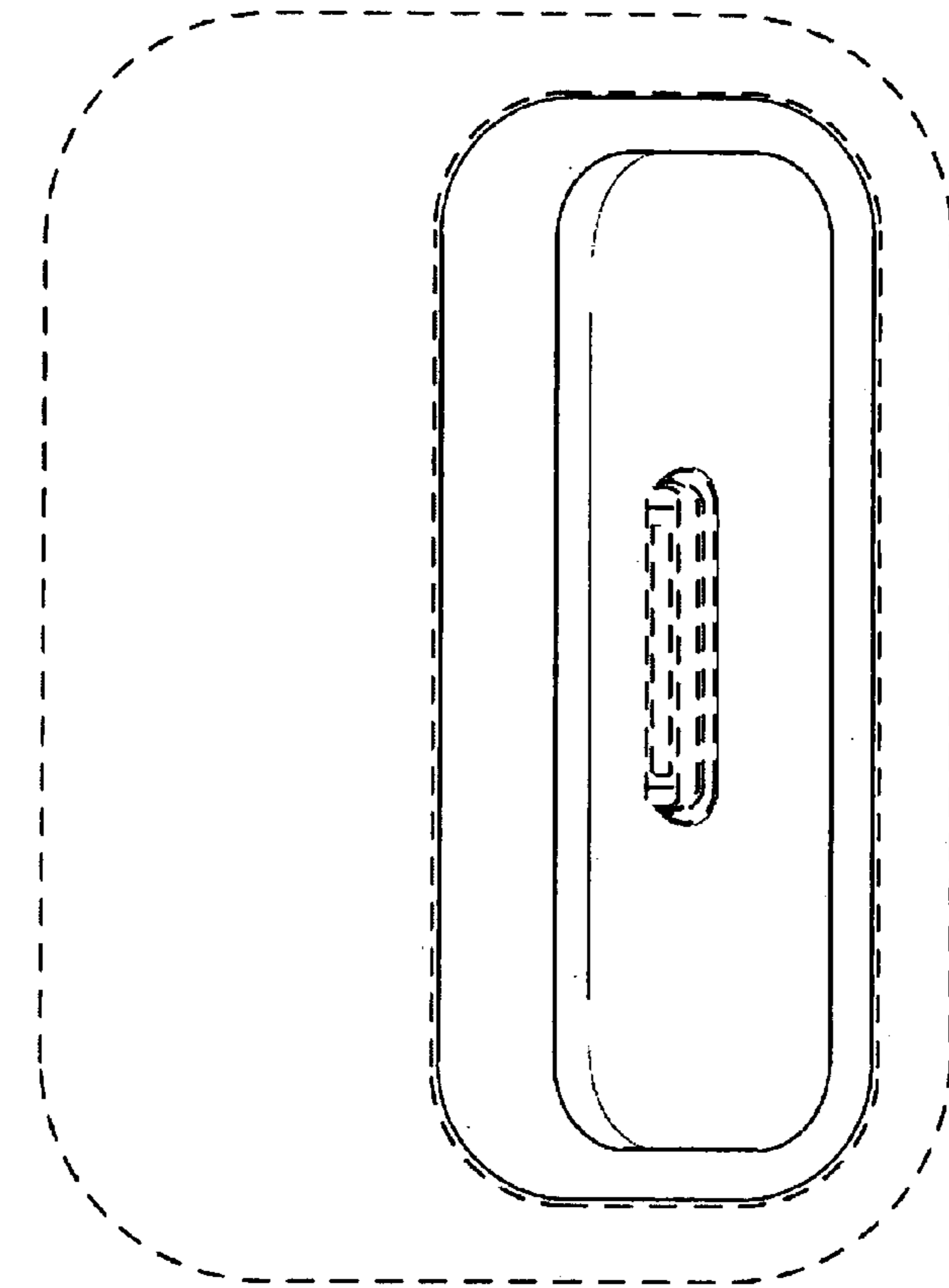


FIG. 18

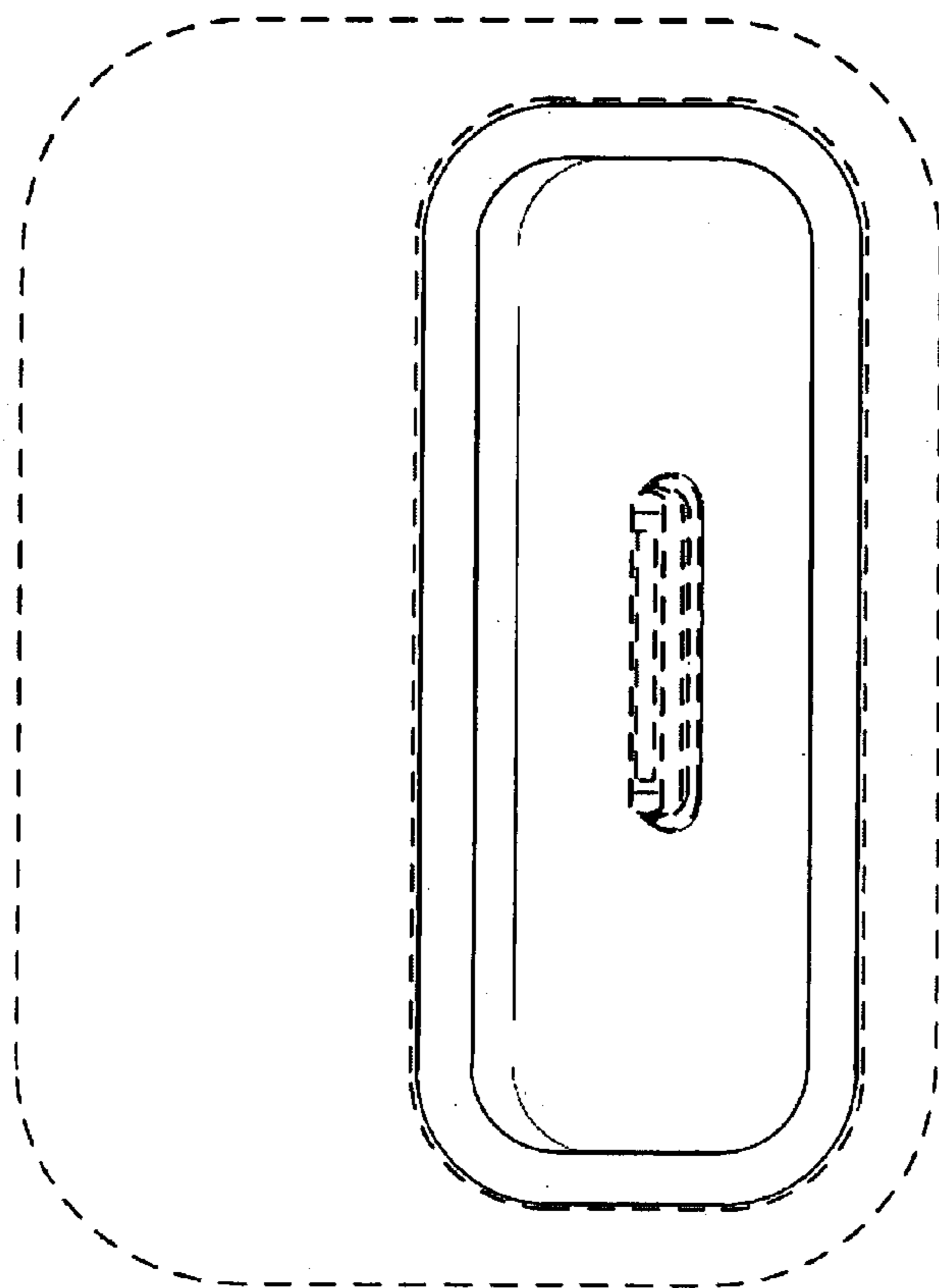


FIG. 19