



US00D552084S

(12) **United States Design Patent**  
**Chapman et al.**

(10) **Patent No.:** **US D552,084 S**

(45) **Date of Patent:** **\*\* Oct. 2, 2007**

(54) **SPEAKER**

(75) Inventors: **Matthew Chapman**, London (GB);  
**Robert Leeks**, London (GB)

(73) Assignee: **Mayhem UK Ltd** (GB)

(\*\*) Term: **14 Years**

(21) Appl. No.: **29/246,842**

(22) Filed: **May 15, 2006**

(30) **Foreign Application Priority Data**

Dec. 21, 2005 (EM) ..... 000460522

(51) **LOC (8) Cl.** ..... **14-01**

(52) **U.S. Cl.** ..... **D14/216**

(58) **Field of Classification Search** ..... D14/204,  
D14/207, 209–216, 156, 168; 181/143–144,  
181/147–148, 150, 157, 198–199, 151, 153;  
381/300–302, 306, 333, 345, 361–364, 386–388,  
381/332, 336

See application file for complete search history.

(56) **References Cited**

**U.S. PATENT DOCUMENTS**

2,881,852 A \* 4/1959 Morrish et al. .... 181/275

5,802,194 A \* 9/1998 Yamagishi et al. .... 381/386  
D467,238 S \* 12/2002 Hlas et al. .... D14/216  
D485,251 S \* 1/2004 Lee ..... D14/156  
D510,926 S \* 10/2005 Jerome ..... D14/168  
D514,092 S \* 1/2006 Christianson ..... D14/216  
D514,093 S \* 1/2006 Borsboom ..... D14/216

\* cited by examiner

*Primary Examiner*—Nanda Bondade

(74) *Attorney, Agent, or Firm*—McKee, Voorhees & Sease,  
P.L.C.

(57) **CLAIM**

We claim the ornamental design for a speaker, substantially  
as shown.

**DESCRIPTION**

FIG. 1 is a rear view of the speaker.

FIG. 2 is a perspective view of the speaker.

FIG. 3 is a top view of the speaker.

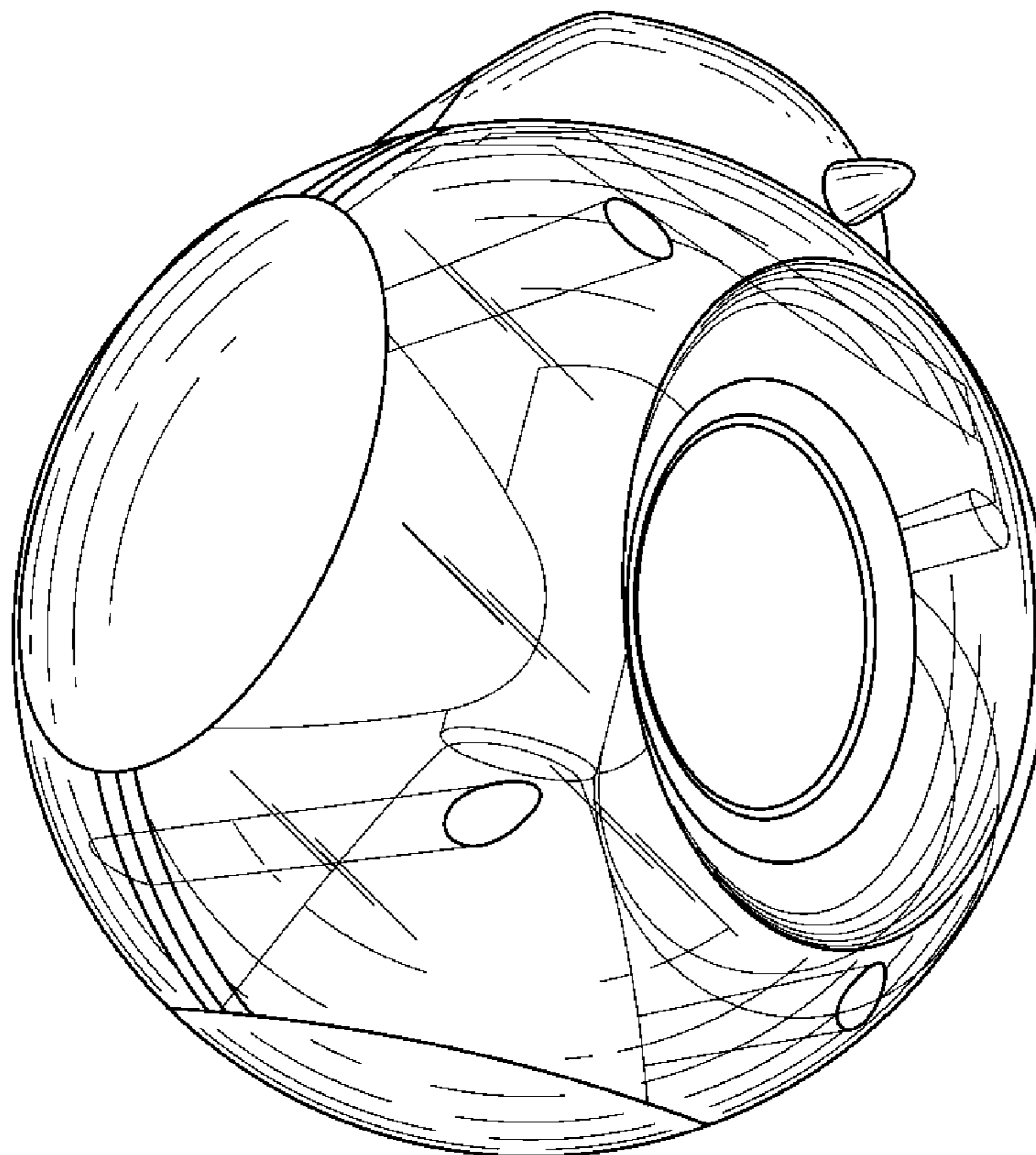
FIG. 4 is a bottom view of the speaker.

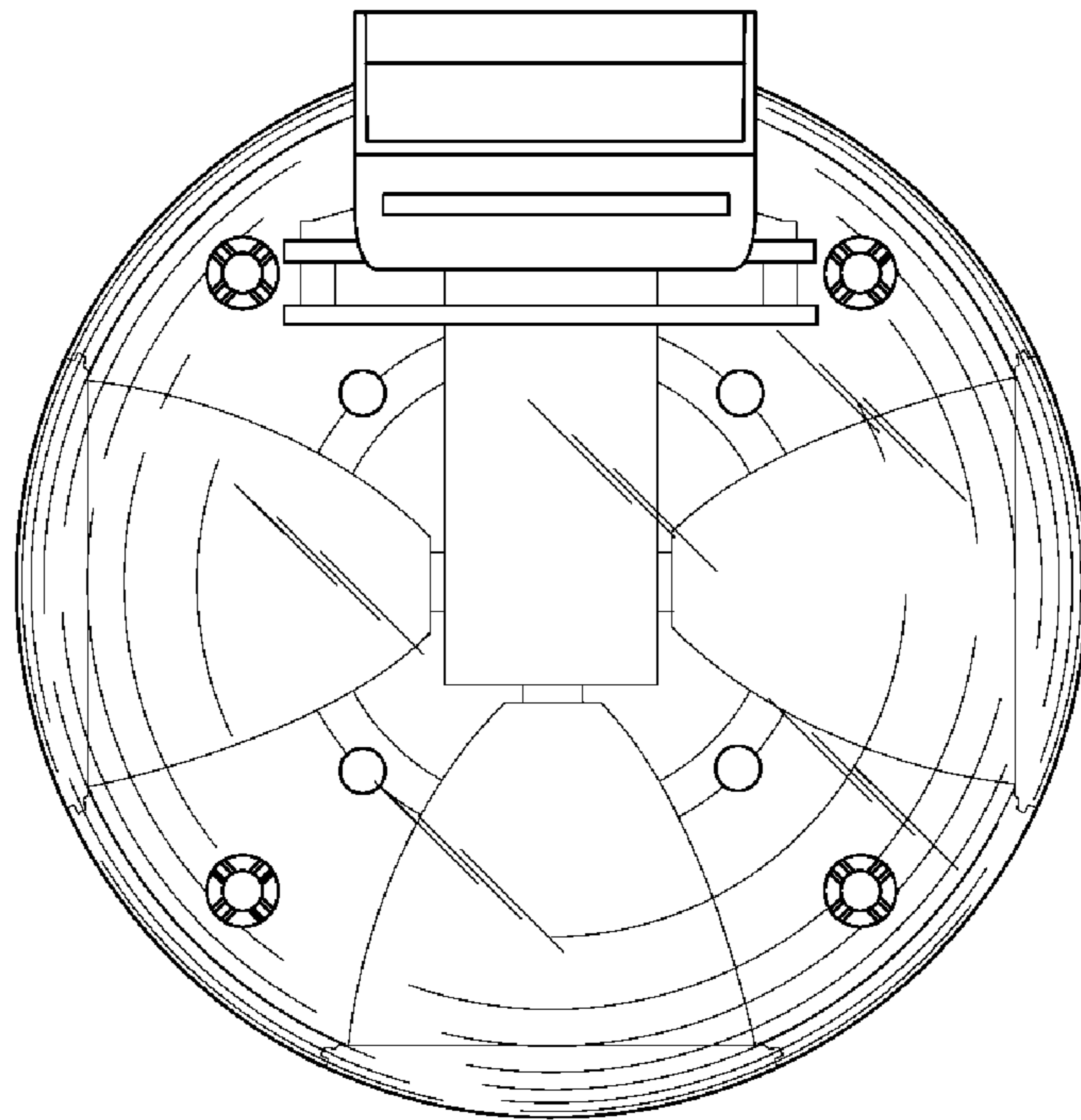
FIG. 5 is a side view of the speaker.

FIG. 6 is an front side view of the speaker; and,

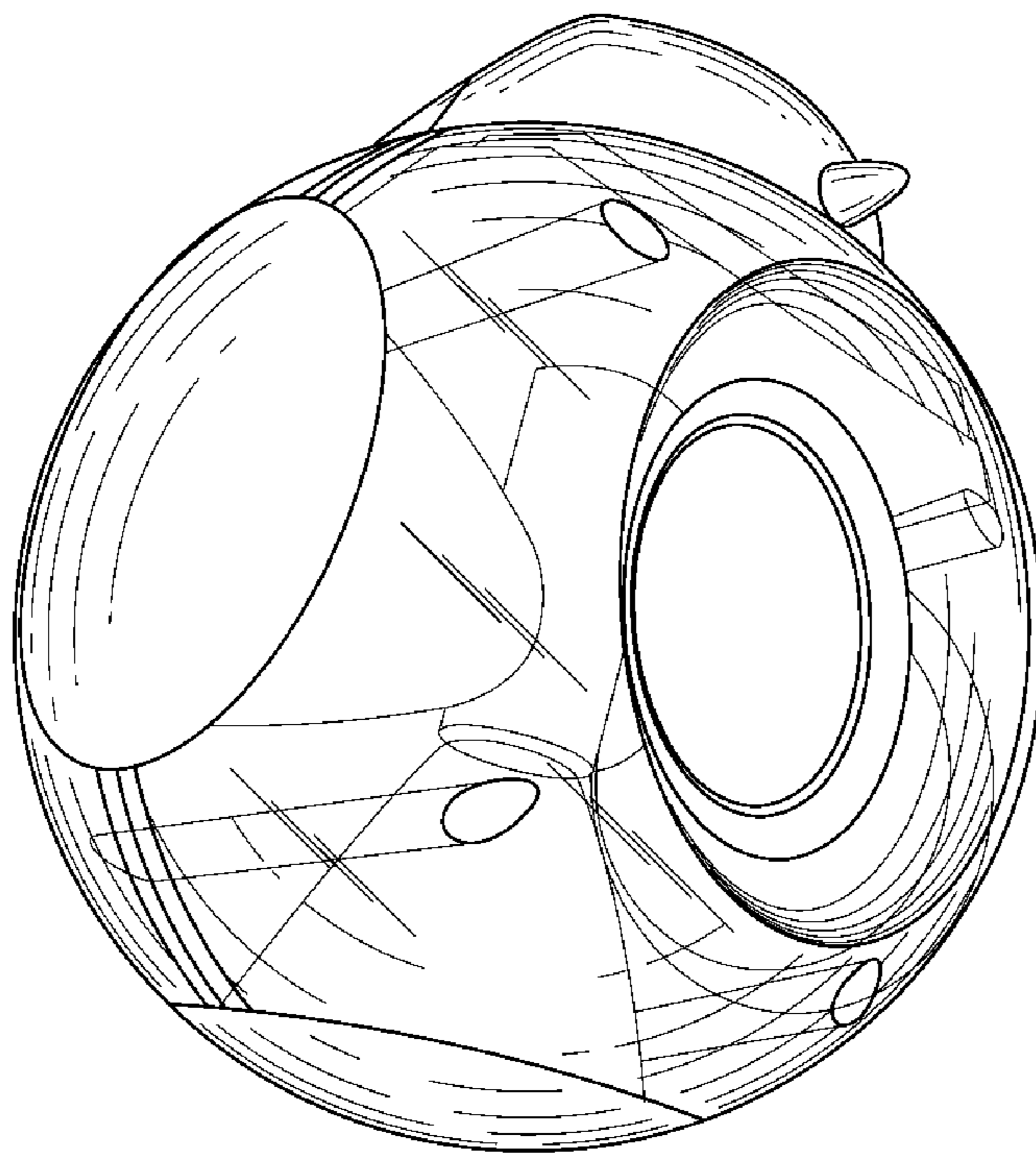
FIG. 7 is an opposite side view of the speaker.

**1 Claim, 4 Drawing Sheets**

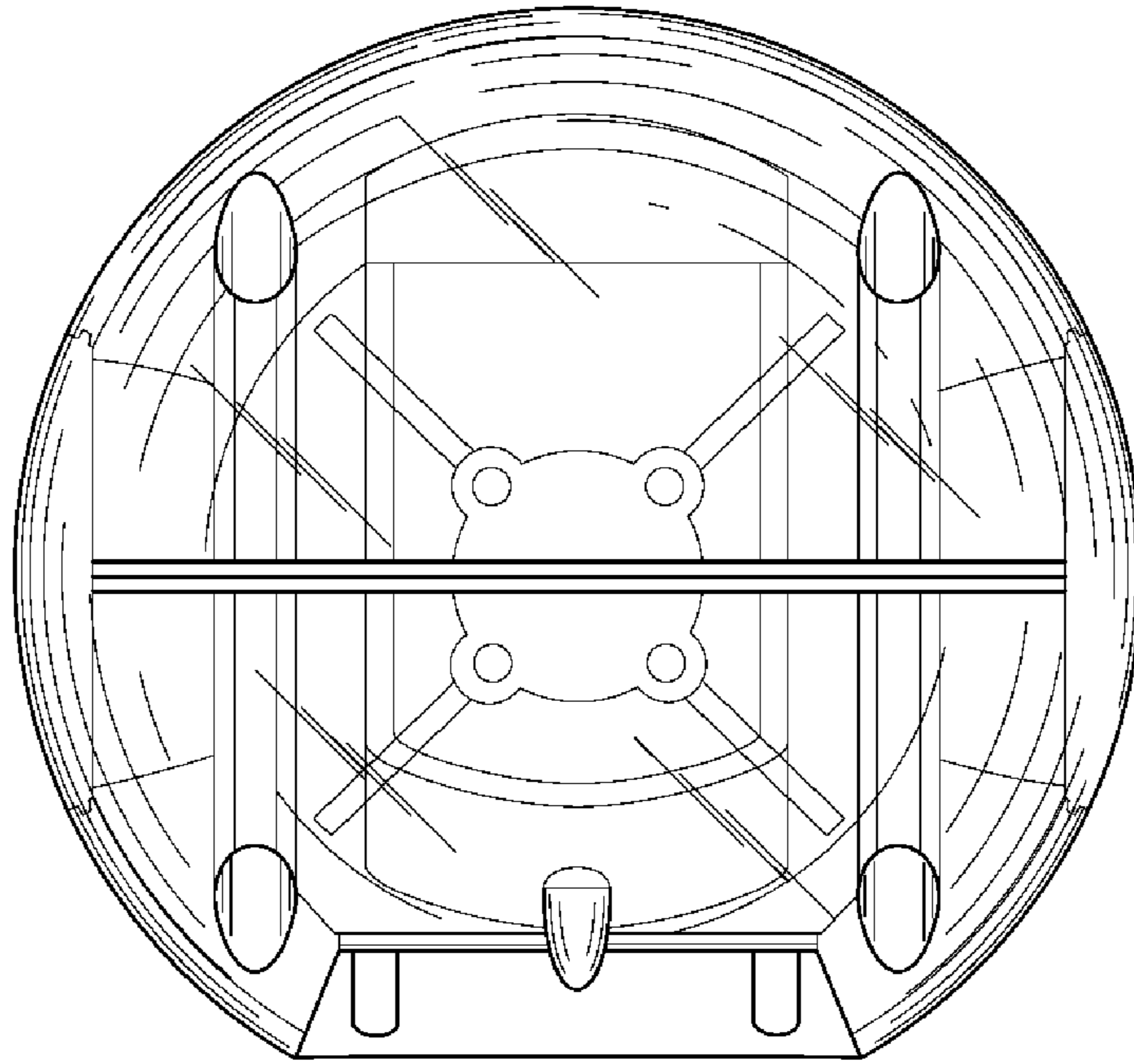




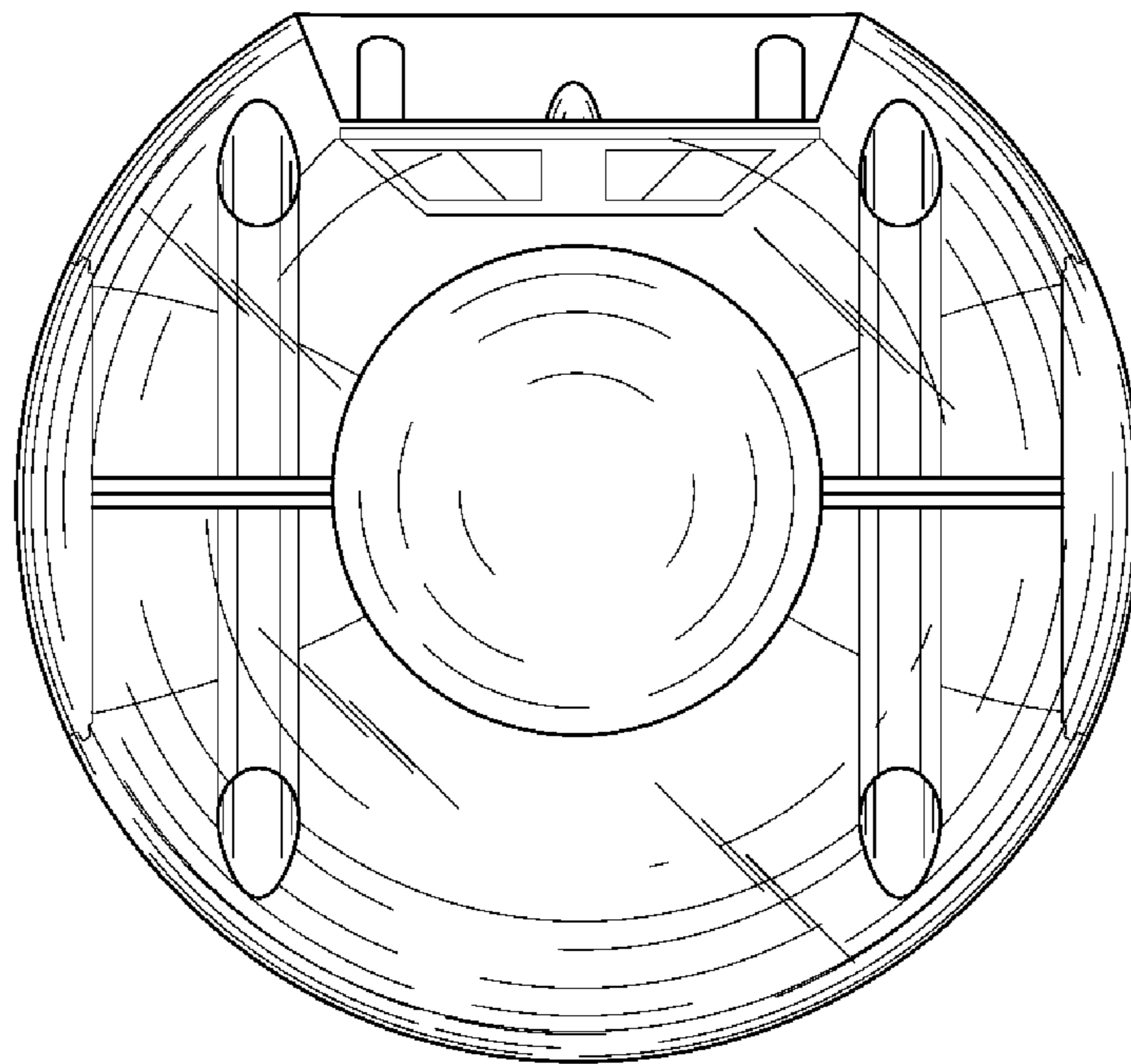
*Fig. 1*



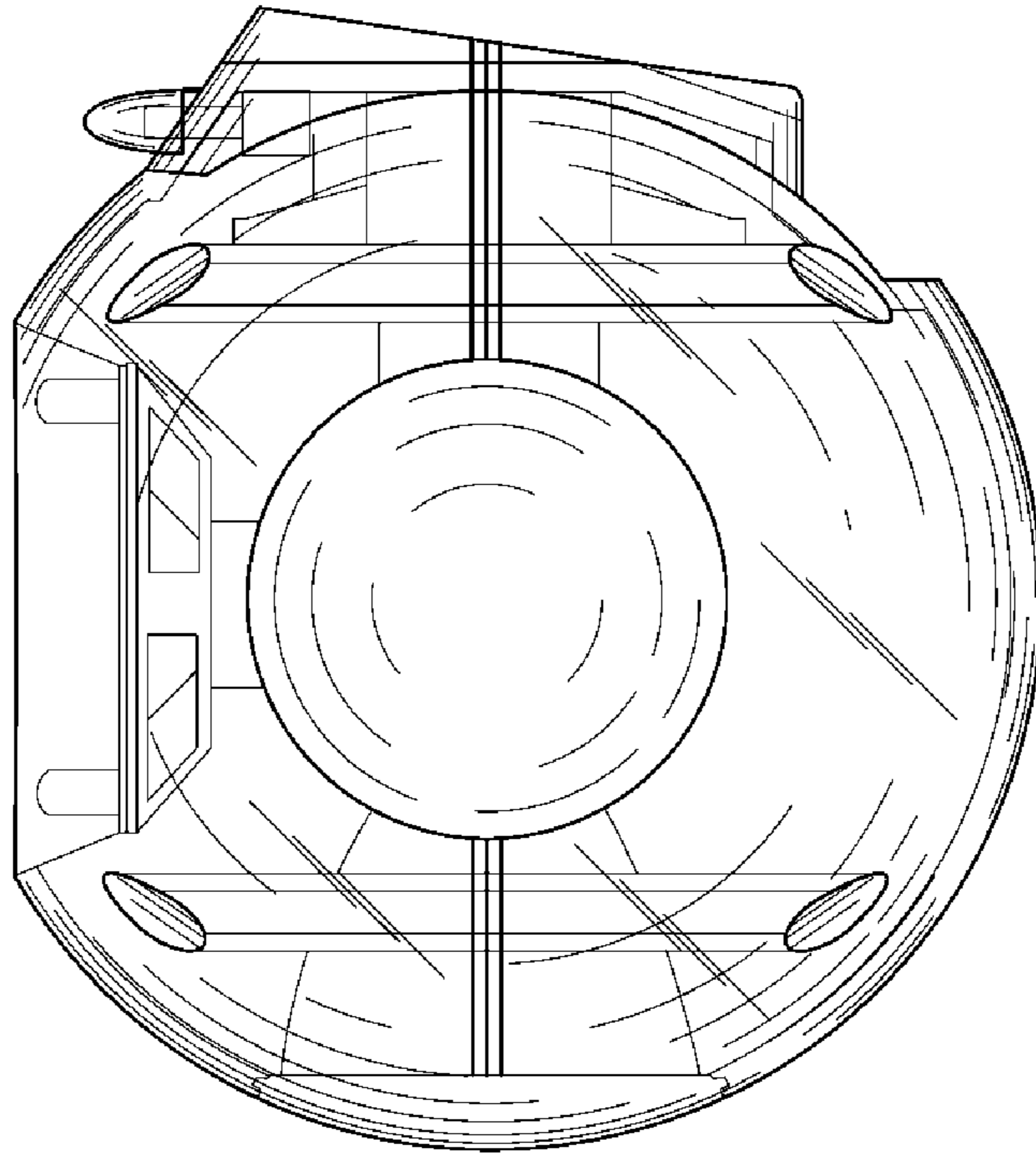
*Fig. 2*



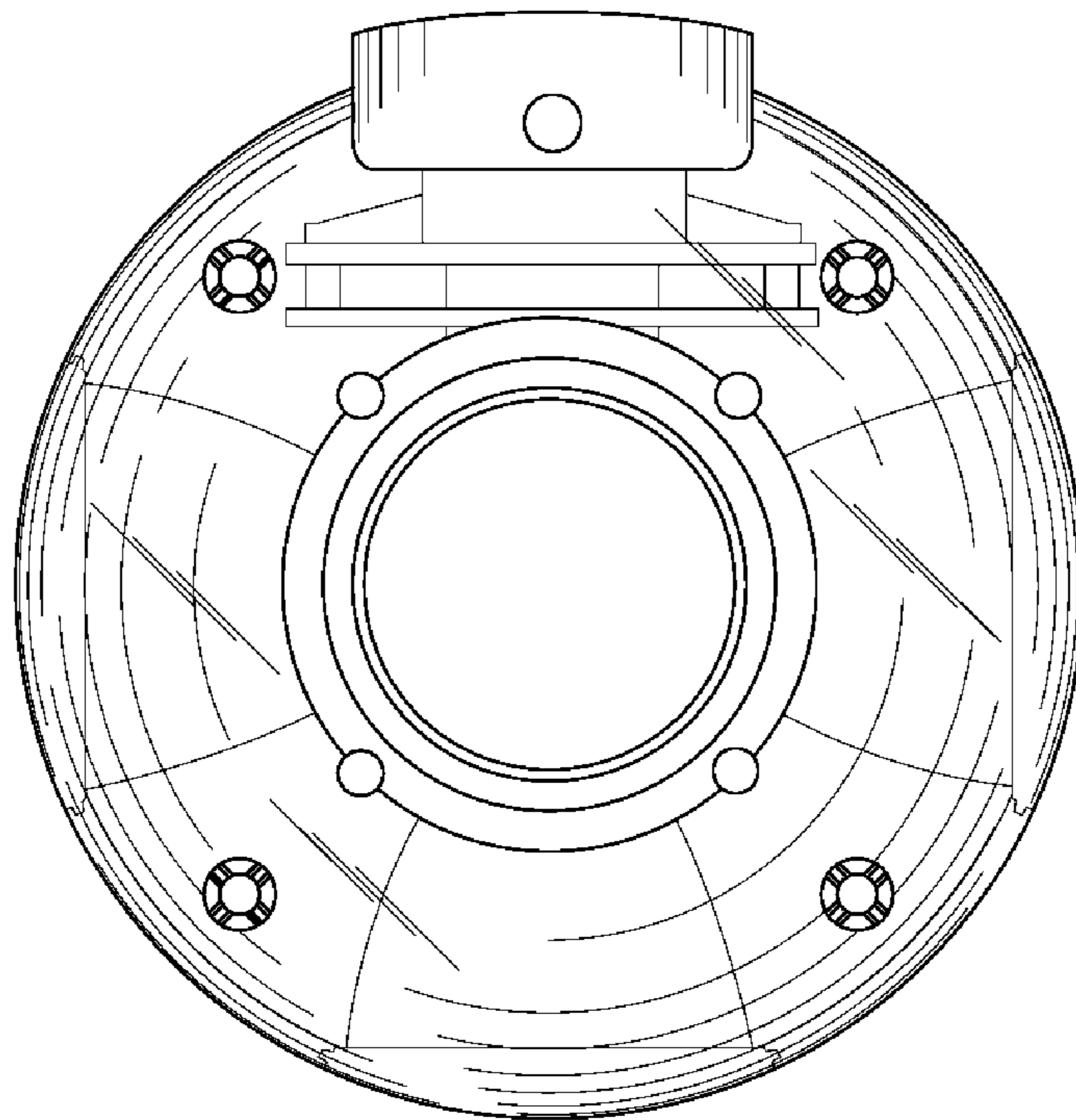
*Fig. 3*



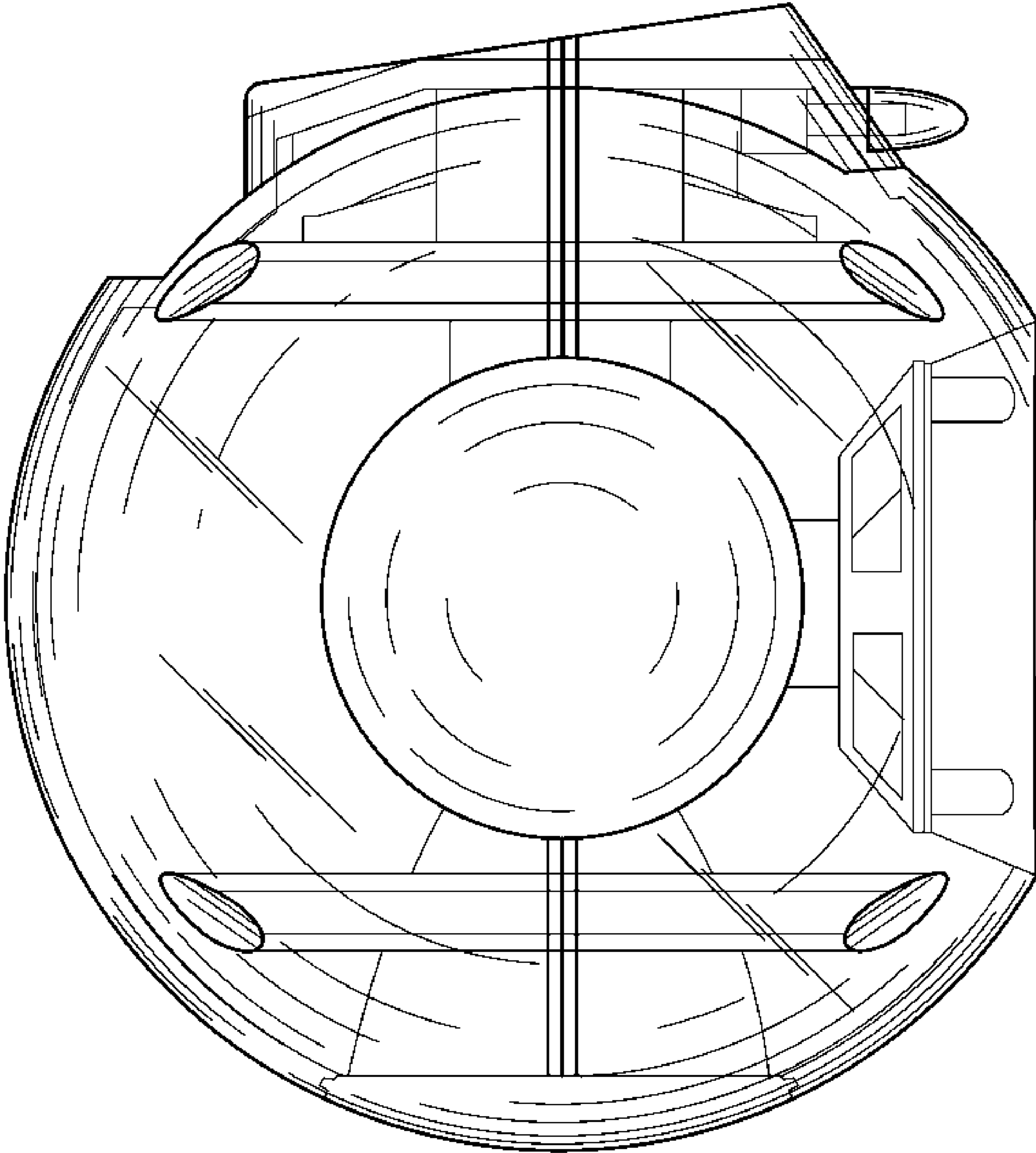
*Fig. 4*



*Fig. 5*



*Fig. 6*



*Fig. 7*