



US00D552082S

(12) **United States Design Patent Law**

(10) **Patent No.: US D552,082 S**

(45) **Date of Patent: \*\* Oct. 2, 2007**

(54) **SPEAKER BOX**

(75) Inventor: **Suet Chan Law**, Singapore (SG)

(73) Assignee: **Sony Corporation**, Tokyo (JP)

(\*\*) Term: **14 Years**

(21) Appl. No.: **29/259,021**

(22) Filed: **May 2, 2006**

(30) **Foreign Application Priority Data**

Dec. 21, 2005 (KR) ..... 30-2005-0043278

(51) **LOC (8) Cl.** ..... **14-01**

(52) **U.S. Cl.** ..... **D14/214**

(58) **Field of Classification Search** ..... D14/204,  
D14/209-216; 181/143-144, 147-148, 150,  
181/157, 198-199, 151, 153; 381/300-302,  
381/306, 333, 345, 361-364, 386-388, 332,  
381/336

See application file for complete search history.

(56) **References Cited**

**U.S. PATENT DOCUMENTS**

5,714,723 A \* 2/1998 Kang ..... 181/199  
D405,450 S \* 2/1999 Niitsu ..... D14/214  
D410,006 S \* 5/1999 Miyazaki ..... D14/214  
D418,138 S 12/1999 Miyazaki

D432,117 S \* 10/2000 Miyazaki ..... D14/214  
D497,900 S 11/2004 Motoishi  
D501,197 S \* 1/2005 Tanoni ..... D14/214  
D514,089 S \* 1/2006 Jones ..... D14/214

**FOREIGN PATENT DOCUMENTS**

JP D1173796 S 5/2003

\* cited by examiner

*Primary Examiner*—Nanda Bondade

(74) *Attorney, Agent, or Firm*—Rader, Fishman & Grauer PLLC

(57) **CLAIM**

The ornamental design for a speaker box, as shown.

**DESCRIPTION**

FIG. 1 is a perspective view of a speaker box showing my new design;

FIG. 2 is a front elevational view thereof;

FIG. 3 is a rear elevational view thereof;

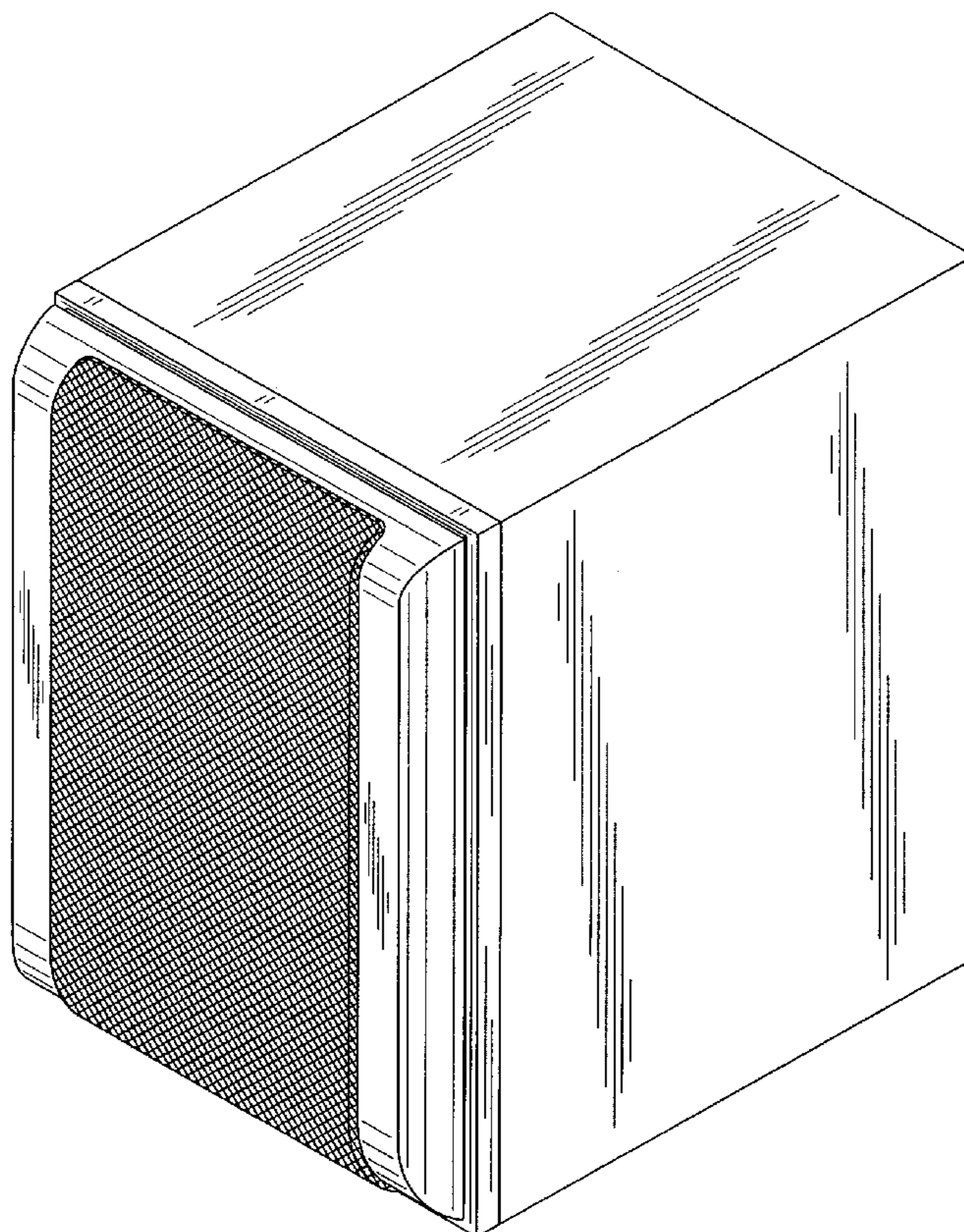
FIG. 4 is a left side elevational view thereof;

FIG. 5 is a right side elevational view thereof;

FIG. 6 is a top plan view thereof; and,

FIG. 7 is a bottom plan view thereof.

**1 Claim, 7 Drawing Sheets**



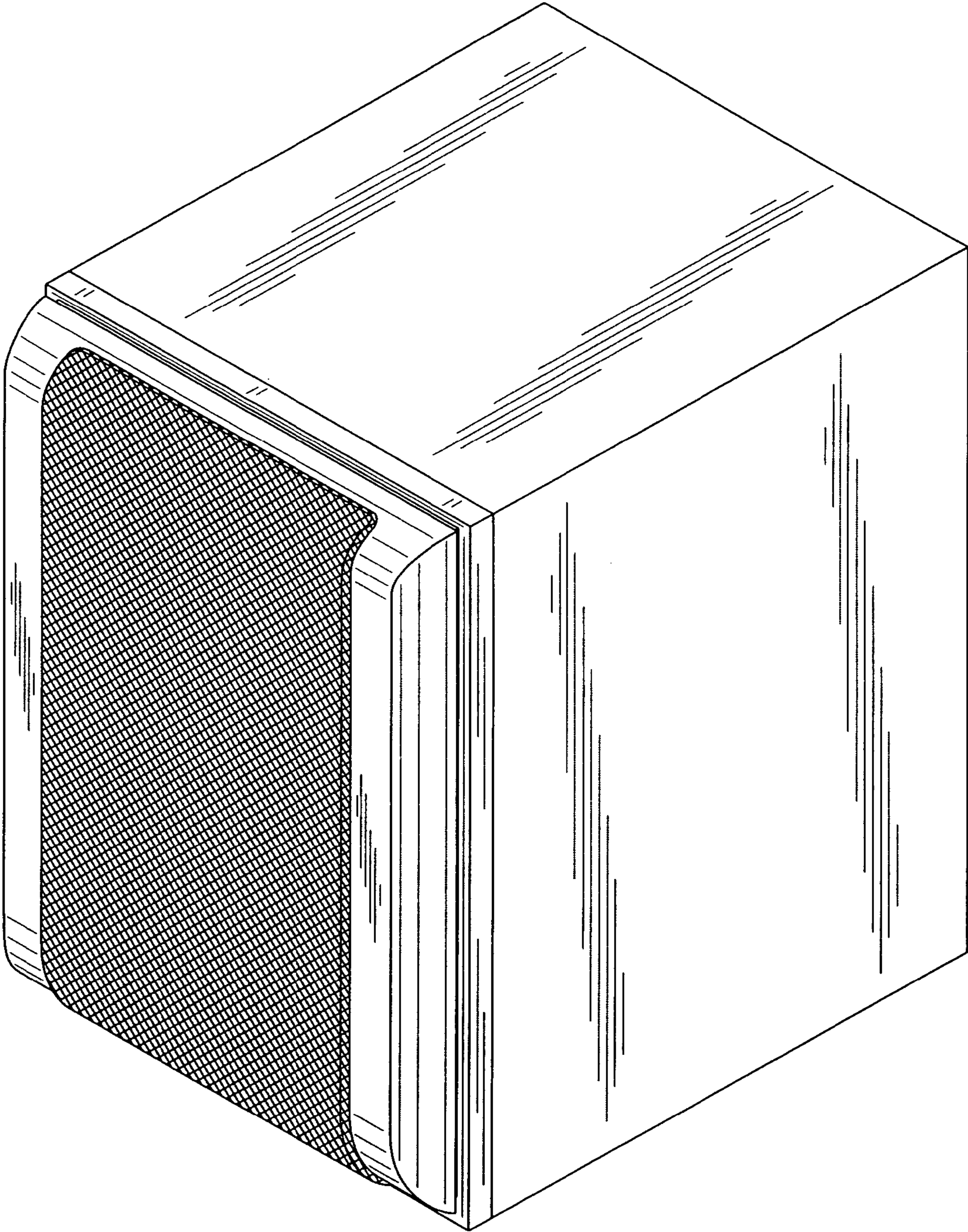


FIG. 1

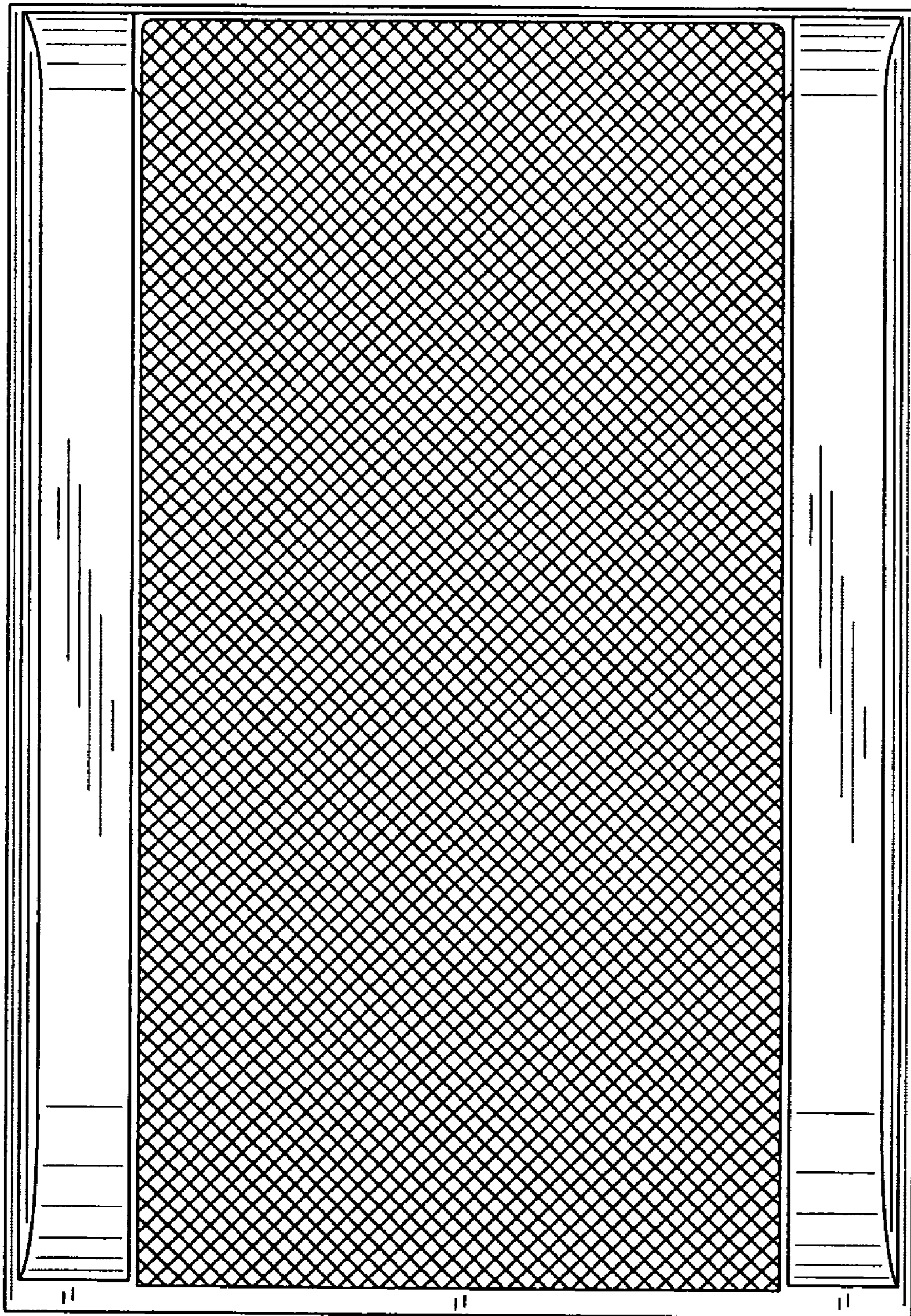
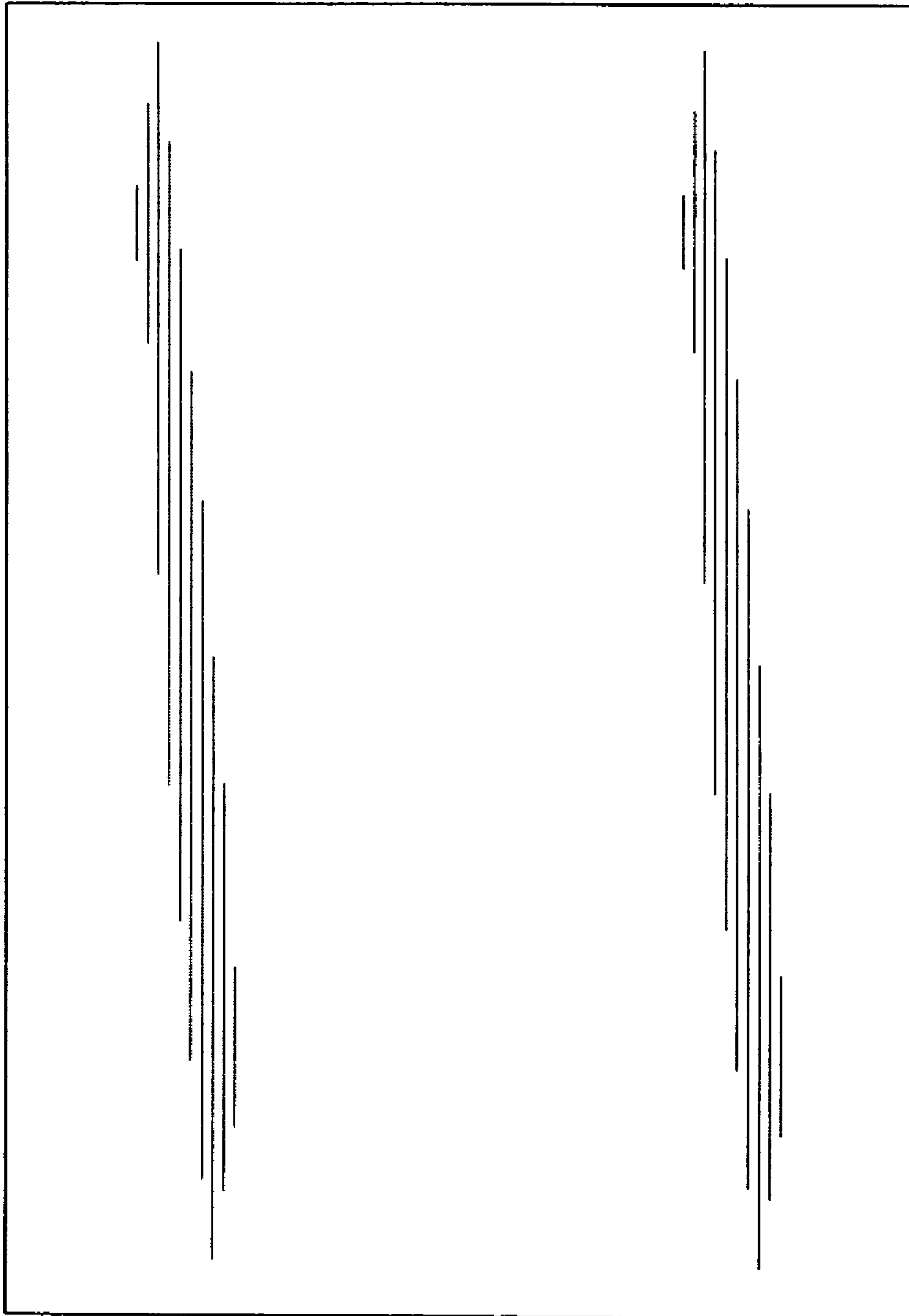


FIG. 2



*FIG. 3*

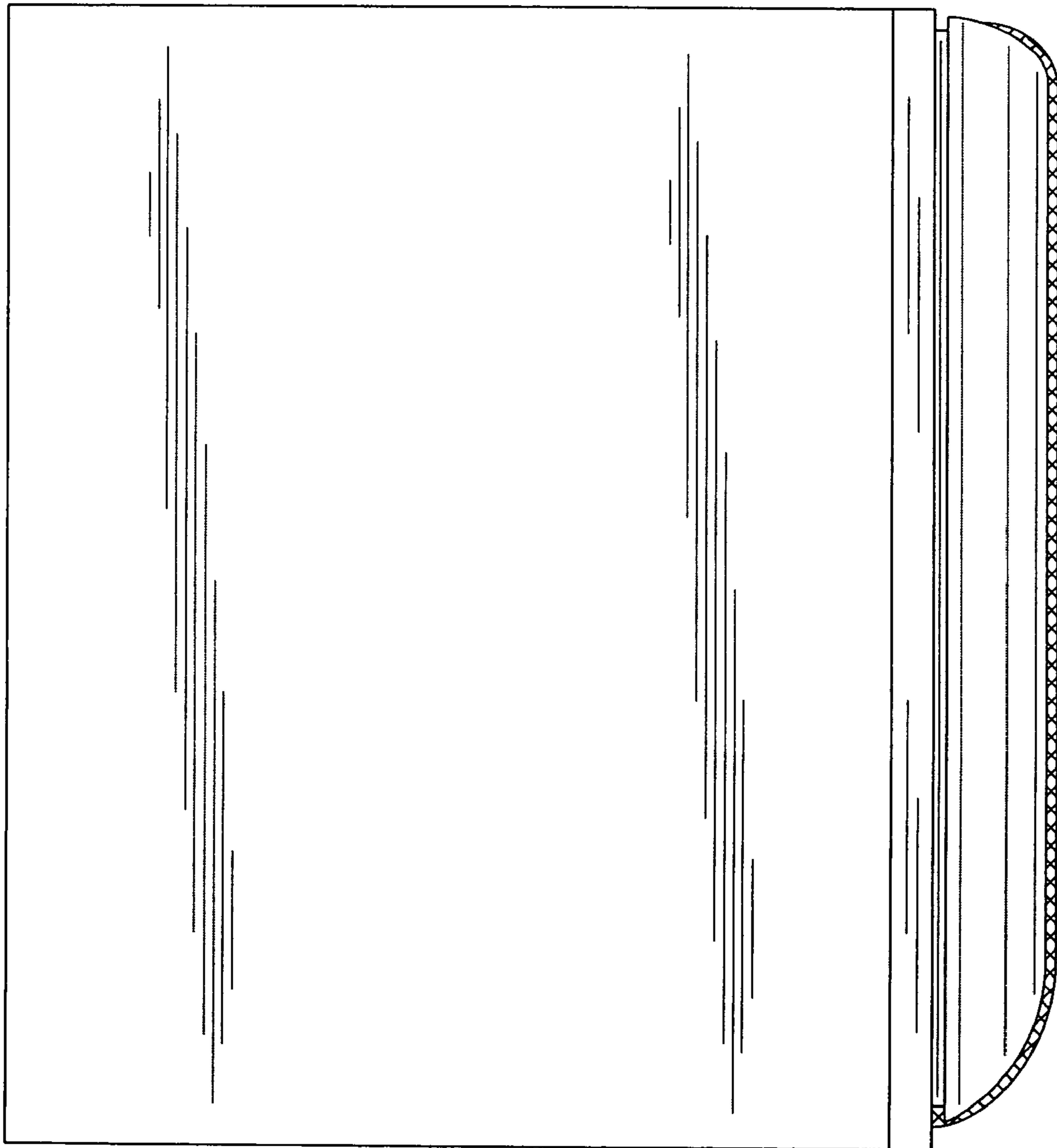


FIG. 4

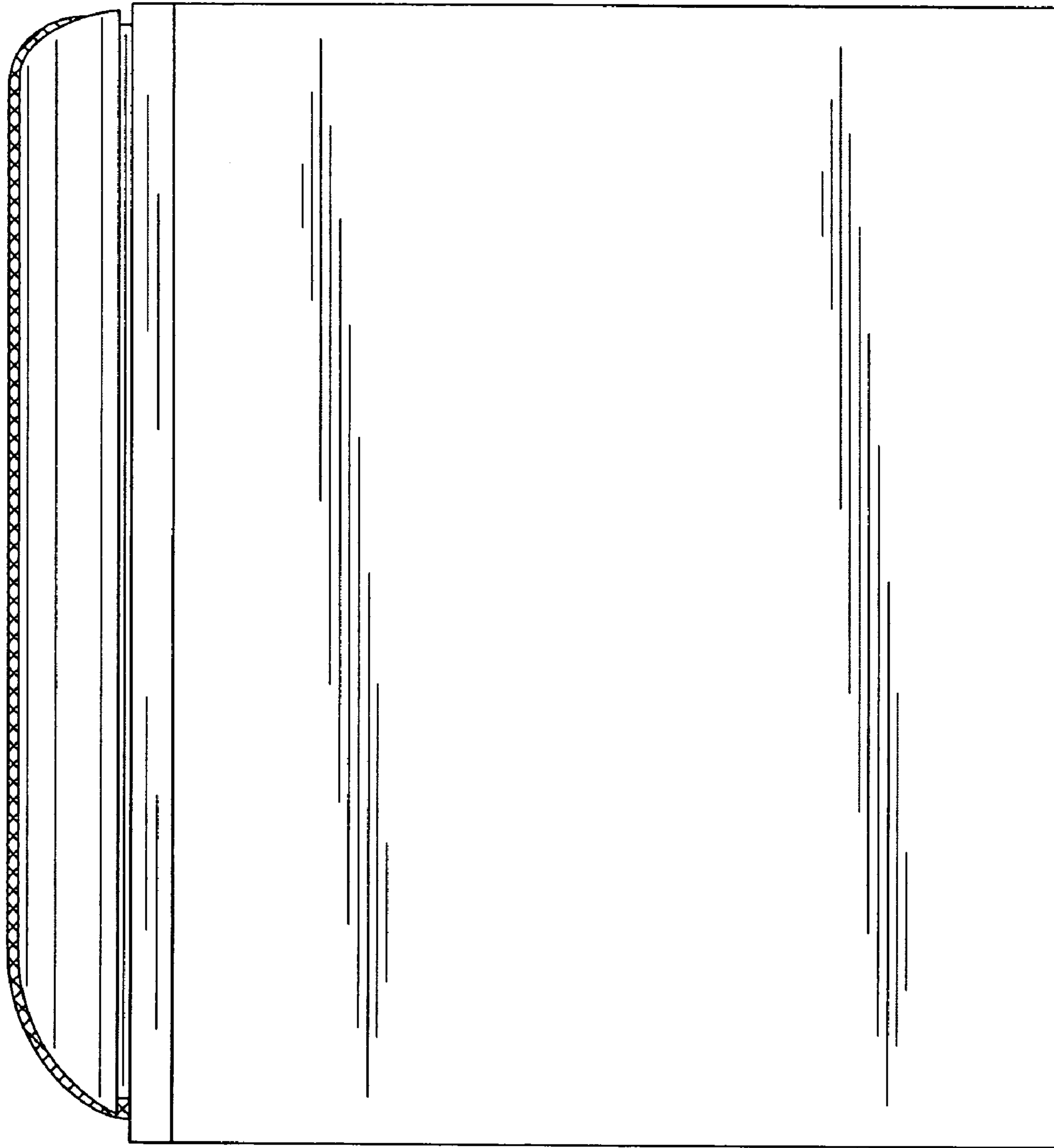
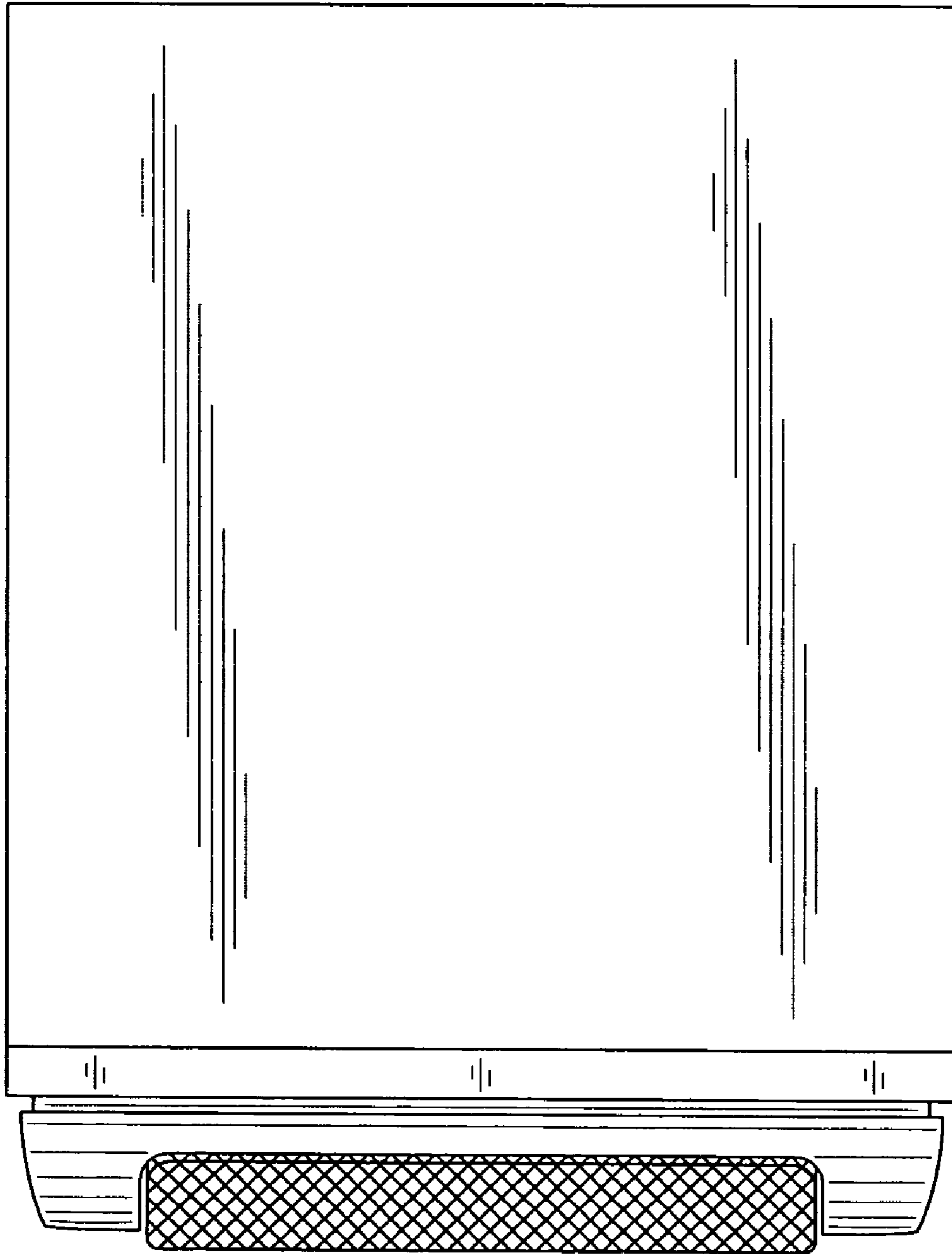


FIG. 5



*FIG. 6*

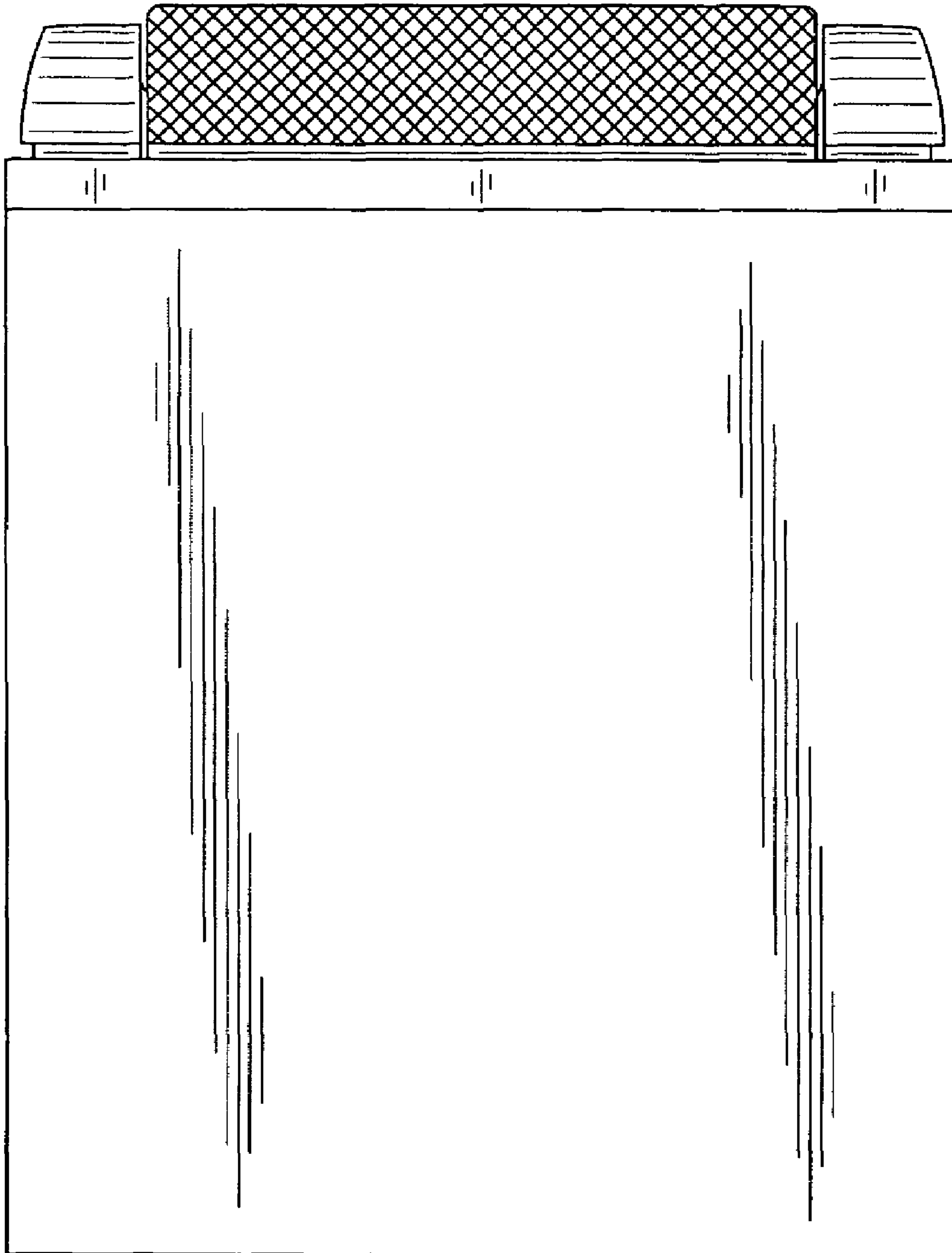


FIG. 7